

ph HORN ph



铣削系统

MILLING SYSTEMS

2023 / 2024

HORN III



探索 HORN
EXPLORE HORN

尊敬的HORN用户

卓越的结果总是最佳的加工工艺和完美的工具的结合。为了实现这一目标，HORN结合了先进的技术、性能和可靠性。从单个零件到批量生产，适用于标准或特殊应用:我们的工具为您提供快速，经济，高质量的解决方案。为了帮助您选择切削参数，我们目录中的表各自提供了经过验证的经验值。充分利用我们办公室职员和销售工程师的专业知识。

可持续发展是我们企业理念的核心部分。这就是为什么我们一直关注产品和生产的质量保证、环境保护、能源效率和安全。作为高效可靠的工具合作伙伴，我们确信您与我们一起创建一个创新和强大的经济未来。



Markus Horn
首席执行官
Paul Horn GmbH



Matthias Rommel
首席执行官
Paul Horn GmbH

Explore HORN

Exceptional results are always a combination of the optimum cutting process and the perfect tool. To achieve this, HORN combines advanced technology, performance and reliability. From single part to series production, for standard or special applications: Our tools offer you fast, economical, high quality solutions. To assist you when choosing cutting parameters, our tables in the respective catalogue provide proven empirical values. Take advantage of the expertise of our office staff and sales engineers.

Sustainability is a central part of our corporate philosophy. That is why we have always focused on quality assurance, environmental protection, energy efficiency and safety with regard to our products and our production. As an efficient and reliable tool partner, we make sure that you join us in an innovative and strong economic future.



Markus Horn
CEO
Paul Horn GmbH



Matthias Rommel
CEO
Paul Horn GmbH

A	DC系列 整体硬质合金槽铣刀和螺纹铣削 System DC Solid Carbide Groove and Thread Milling Cutter		A
B	槽铣削(圆弧插补铣削) Groove Milling by circular interpolation 平面和高进给铣削 Face and High Feed Milling	M304/M306/M308/M311/ M116/M313/M328/M332/M335 M620	B
C	槽铣削 Groove Milling	M275	C
D	槽铣削 Groove Milling	380/381	D
E	槽铣削 Groove Milling	M101	E
F	槽铣削 Groove Milling	382/383/M310	F
G	螺纹铣削 Thread Milling	M275/M306/M308/M311 M313/M328/M332/380	G
H	技术说明 槽铣削和圆弧铣削 Technical Instructions Groove and Circular Milling		H
I	齿轮加工 Gear Machining		I
J	T型槽铣削 Milling of T-Slots	M311/M313/M328/M406 M409	J
K	多边形铣削 Polygon Milling	M275/381	K
L	刀具系列 DA / DAH 高进给铣削 System DA / DAH High Feed Milling		L
M	立装铣削 Tangential Milling	M406/M409/M610	M

- 除非另有说明, 所有尺寸均以毫米为单位。
All dimensions in mm, unless otherwise noted
- 可根据要求订制更多尺寸和形式。
Further dimensions and versions are available on request.
- 锁紧螺扭矩规格, 请见技术说明。
For torque specification of the screw, please see "Technical Instructions".
- 所有刀片座损坏的刀杆都可以由HORN维修。
All carbide milling shanks with damaged seating can be repaired by HORN.
- 交货期 / Delivery times
 - ▲ 库存 / on stock
 - △ 4周 / 4 weeks
- 根据被加工材料组 / Use for material groups
 - 推荐 / recommended
 - 次推荐 / alternative recommended
 - 不合适 / not suitable

HORN连接接口代码-需要它做什么?

连接接口代码确保您始终找到适当的工具, 并显示在刀杆和刀片上。如果代码匹配, 则可以在相应的刀杆中使用该刀片。

这也适用于我们的模块化支架系统, 其中连接代码表示刀柄和刀夹之间的接口。

The HORN connection interface code - what is it needed for?

The connection interface code ensures that you will always find the appropriate tools and is shown on toolholders and inserts. If the codes match, the insert can be used in the corresponding toolholder.

This also applies to our modular holder system, where the connection code indicates the interface between the holder and the cassette.

HORN连接接口代码及可能的组合:

HORN connection interface codes and possible combinations:

HIS = 刀片座 / Insert seat

HWS = 工件侧接口 / Interface workpiece side

HMS = 机床侧接口 / Interface machine side

HIS	↔	HWS
HMS	↔	HWS

刀片示例

Example insert

产品型号 Part number	Ds	Nw	w	s	s ₁	t _{max}	Z	HIS	TA45
306.0050.10.00	9,7	0,5	0,57	3,4	3,2	0,85	3	306060R	▲

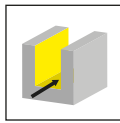
刀杆示例

Example toolholder

产品型号 Part number	d	l ₁	形式 Form	HWS
M306.0707.03A	7,5	100	A	306060R • 306060L

N 技术说明,附加设备
Technical Instructions, Additional Equipment

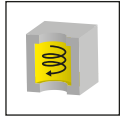
摘要 / INDEX



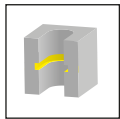
槽铣削
Groove milling



槽铣削
Full radius groove milling



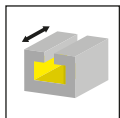
圆弧槽
Circular groove



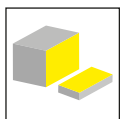
内孔槽铣削
Internal groove milling



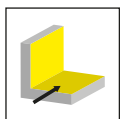
卡簧槽
Circlip groove



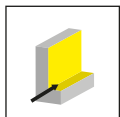
DIN650T型槽
T-Slots DIN650



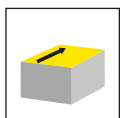
槽铣削
Slot milling



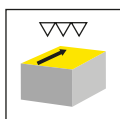
倒角铣削
Corner milling



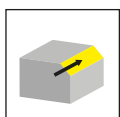
轮廓修饰
Trimming



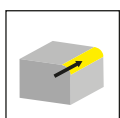
平面铣削
Face milling



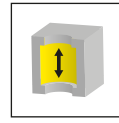
精加工
Finishing



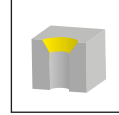
倒角
Chamfering



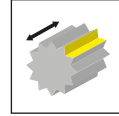
圆角铣削
Radius milling



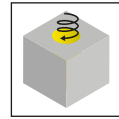
内孔铣削
Bore milling



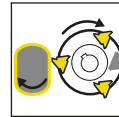
倒角铣削
Chamfer milling



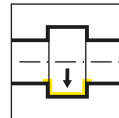
齿轮铣削
Gear milling



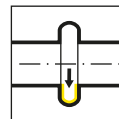
圆弧插铣
Circular plunging



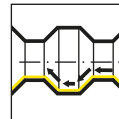
多边形铣削
Polygon milling



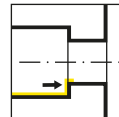
内孔切槽
Internal grooving



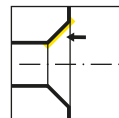
内孔切圆槽
Internal grooving full radius



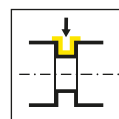
镗内孔及切槽倒角
Internal boring and grooving chamfer



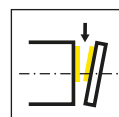
内孔背车
Internal back turning



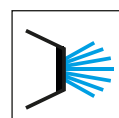
内孔倒角
Internal chamfering



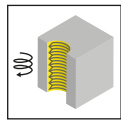
外径切槽
External grooving



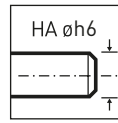
切断
Parting off



内冷
Internal coolant



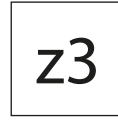
螺纹铣削 内圆
Thread milling internal



刀杆形式
Shank form



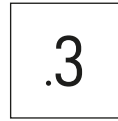
半牙螺纹
Partial profile thread



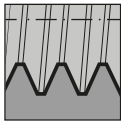
齿数
Numbers of teeth



全牙螺纹
Full profile thread



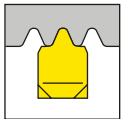
槽型 .3
Geometry



内孔螺纹
Internal thread



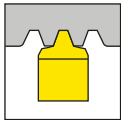
槽型 .40 铝加工
Geometry .40 for aluminium



惠氏螺纹
Whitworth thread



槽型 .E
Geometry



梯形螺纹
Trapezoidal thread



槽型 .FY
Geometry



BSW/BSF 螺纹
Whitworth pipe thread BSW/BSF



NPT 螺纹
National pipe thread



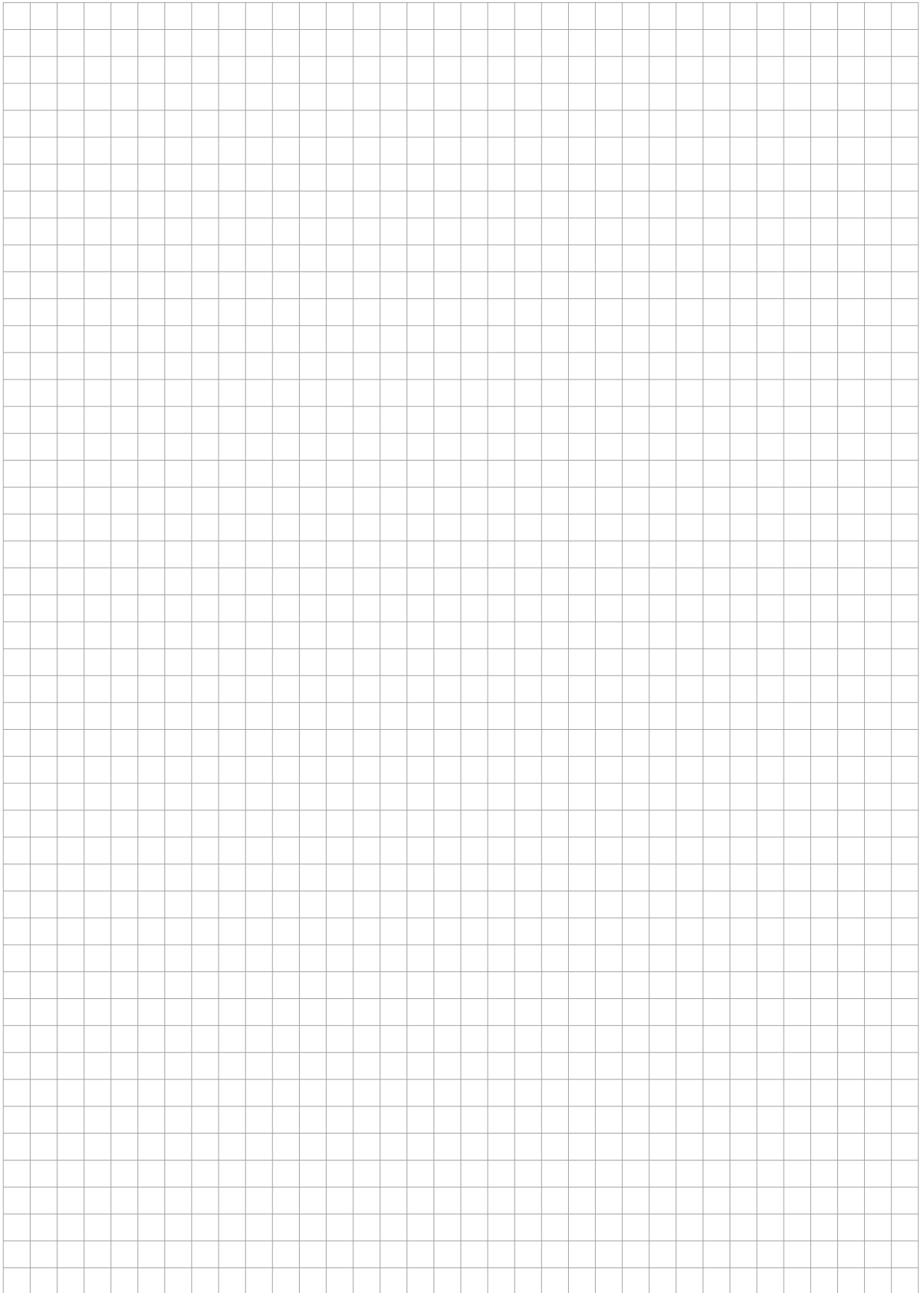
主偏角 45°
Approach angle 45°



米制ISO螺纹
Metric ISO thread
主偏角 60° (径向铣削)
Approach angle 60° (Chapter Tangential Milling)



UN螺纹
Unified thread



DC



**整体硬质合金立铣刀
系列 DC**

- 螺纹铣刀-非全牙型
- 螺纹铣刀-全牙型
- 槽铣削
- 倒角铣削

**Solid Carbide End Mills
System DC**

- Thread milling partial profile
- Thread milling full profile
- Groove milling
- Chamfer milling

螺纹铣刀
Thread Milling Cutter
DCG



页/Page
13-14



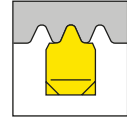
页/Page
15



页/Page
16



页/Page
17

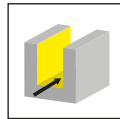


页/Page
18

槽铣刀
Groove milling cutter
DCR/DCN/DCX

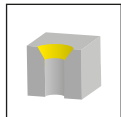


页/Page
19



页/Page
20-21

铣削倒角刀
Chamfer Milling Cutter
DCF



页/Page
22

切削参数
Cutting data

页/Page
23-25

螺纹铣刀 Thread Milling Cutter

DCG

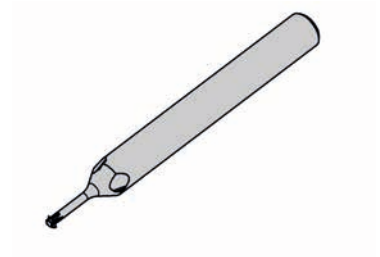
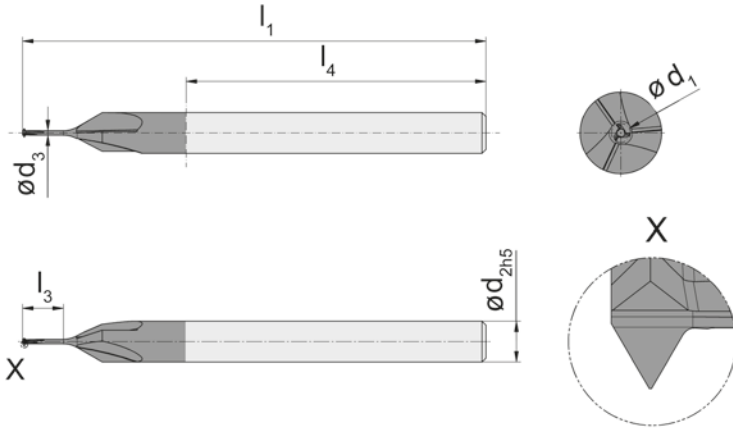


A



z3

60°



硬质合金牌号
Carbide grades

▲ 库存
on stock

△ 4周
4 weeks

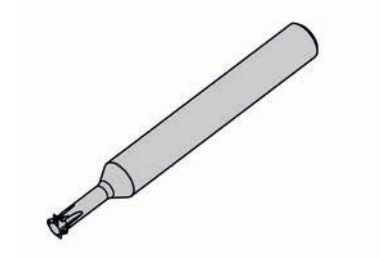
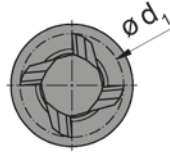
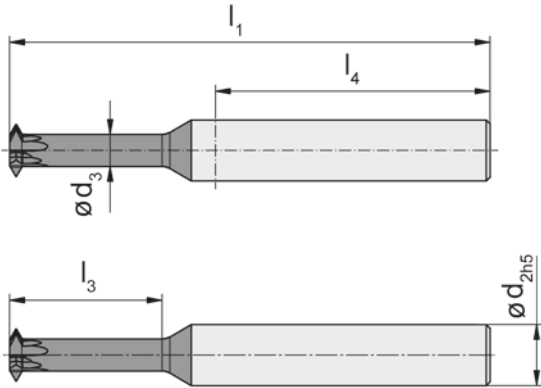
产品型号 Part number	螺纹 Thread	D_{min}	Z	P	d_1	d_2	d_3	l_1	l_3	l_4	ES15
DCG.3.M1.025.2.1.03	M1	0.75	3	0.25	0.7	3	0.33	34	3	22	▲
DCG.3.M11.025.2.1.03	M1,1	0.8	3	0.25	0.75	3	0.4	34	2.75	22	△
DCG.3.M12.025.2.1.03	M1,2	0.9	3	0.25	0.8	3	0.43	34	3	22	▲
DCG.3.M14.030.2.1.03	M1,4	1.1	3	0.3	1	3	0.43	34	4	22	▲
DCG.3.M16.035.2.1.03	M1,6	1.2	3	0.35	1.1	3	0.53	34	4	22	▲
DCG.3.M2.040.2.1.03	M2	1.7	3	0.4	1.5	3	0.93	34	6	22	▲
DCG.3.M22.045.2.1.03	M2,2	1.9	3	0.45	1.7	3	1.13	34	6	22	▲
DCG.3.M25.045.2.1.03	M2,5	2.2	3	0.45	2	3	1.3	34	8	22	▲
											P ●
											M ○
											K ●
											N -
											S -
											H -



z3

60°

z4



硬质合金牌号
Carbide grades

▲ 库存
on stock

△ 4周
4 weeks

产品型号 Part number	螺纹 Thread	D_{\min}	Z	P	P_{\max}	d_1	d_2	d_3	l_1	l_3	l_4	AN25
DCG.3.M3.025.2.1.04	M3	2.4	3	0.25	0.35	2	4	1.45	39	8	22	▲
DCG.3.M3.035.2.1.04	M3	2.4	3	0.25	0.35	2	4	1.35	39	8	22	▲
DCG.3.M3.050.2.1.04	M3	2.4	3	0.5	0.5	2	4	1.2	39	8	22	▲
DCG.3.M35.050.2.1.04	M3,5	2.7	3	0.5	0.6	2.3	4	1.35	39	8	22	▲
DCG.3.M4.070.3.1.06	M4	3.3	3	0.7	0.75	2.8	6	1.7	50	10	36	▲
DCG.3.M5.050.3.1.06	M5	4.2	3	0.5	0.75	3.6	6	2.5	50	10	36	▲
DCG.3.M5.080.3.1.06	M5	4.2	3	0.8	1	3.6	6	2.2	50	10	36	▲
DCG.4.M6.100.3.1.06	M6	5	4	1	1.25	4.3	6	2.4	63	10	40	▲
DCG.4.M6.100.5.1.06	M6	5	4	1	1.25	4.3	6	2.4	63	16	40	▲
DCG.4.M8.075.5.1.08	M8-M10	6.5	4	0.75	1	5.5	8	3.85	63	16	40	▲
DCG.4.M8.075.6.1.08	M8-M10	6.5	4	0.75	1	5.5	8	3.85	63	20	36	▲
DCG.4.M8.075.7.1.08	M8-M10	6.5	4	0.75	1	5.5	8	3.85	77	25	40	▲
DCG.4.M8.125.6.1.08	M8-M10	6.5	4	1.25	1.5	5.5	8	3.4	63	20	36	▲
DCG.4.M8.125.8.1.08	M8-M10	6.5	4	1.25	1.5	5.5	8	3.4	77	30	40	▲
DCG.4.M10.150.6.1.08	M10-M12	8	4	1.5	1.75	6.8	8	4.1	63	20	36	▲
DCG.4.M10.150.8.1.08	M10-M12	8	4	1.5	1.75	6.8	8	4.1	77	30	40	▲

P	●
M	○
K	-
N	-
S	-
H	-

螺纹铣刀 Thread Milling Cutter

DCG

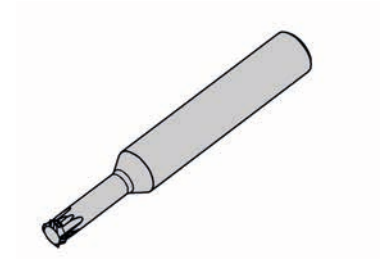
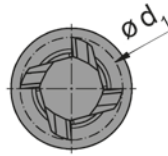
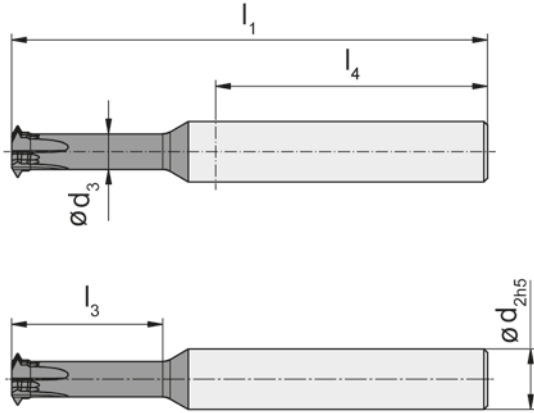


A



z3

z4



硬质合金牌号
Carbide grades

▲ 库存
on stock

△ 4周
4 weeks

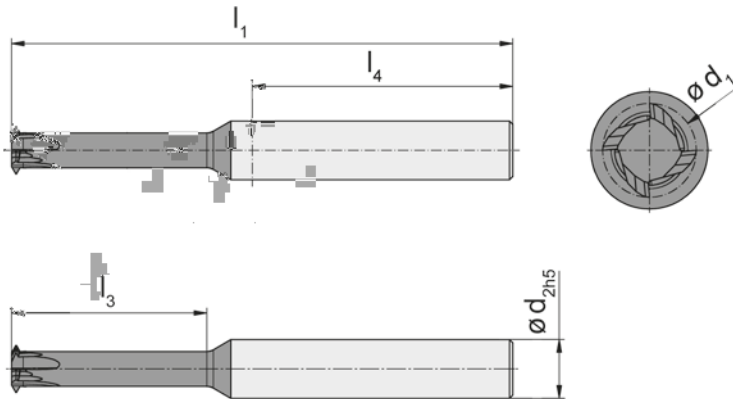
产品型号 Part number	螺纹 Thread	D _{min}	Z	P	d ₁	d ₂	d ₃	l ₁	l ₃	l ₄	AN25
DCG.3.M3.035.2.2.04	M3	2.4	3	0.35	2	4	1.4	39	8	22	▲
DCG.3.M3.050.2.2.04	M3	2.4	3	0.5	2	4	1.25	39	8	22	▲
DCG.3.M4.070.3.2.06	M4	3.3	3	0.7	2.8	6	1.9	50	10	36	▲
DCG.3.M5.050.3.2.06	M5	4.2	3	0.5	3.6	6	2.85	50	10	36	▲
DCG.4.M6.075.5.2.06	M6	5	4	0.75	4.2	6	3.1	63	16	40	▲
DCG.4.M6.100.5.2.06	M6	5	4	1	4.2	6	2.8	63	16	40	▲
DCG.4.M8.125.5.2.08	M8	6.5	4	1.25	5.5	8	3.7	63	16	40	▲
DCG.4.M10.100.6.2.08	M10	8	4	1	6.8	8	5.4	63	20	36	▲
DCG.4.M10.100.7.2.08	M10	8	4	1	6.8	8	5.4	77	25	40	▲
DCG.4.M10.150.6.2.08	M10	8	4	1.5	6.8	8	4.7	63	20	36	▲
DCG.4.M12.100.6.2.10	M12	10	4	1	8	10	6.3	63	20	36	▲
DCG.4.M12.125.8.2.10	M12	10	4	1.25	8	10	6.1	77	30	40	▲
DCG.4.M12.175.6.2.10	M12	10	4	1.75	8	10	5.5	63	20	36	▲
DCG.4.M12.175.8.2.10	M12	10	4	1.75	8	10	5.5	77	30	40	▲

P	●
M	○
K	-
N	-
S	-
H	-

UN

z3

z4



硬质合金牌号
Carbide grades

▲ 库存
on stock

△ 4周
4 weeks

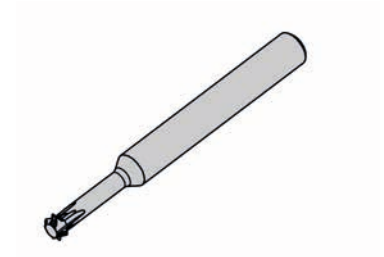
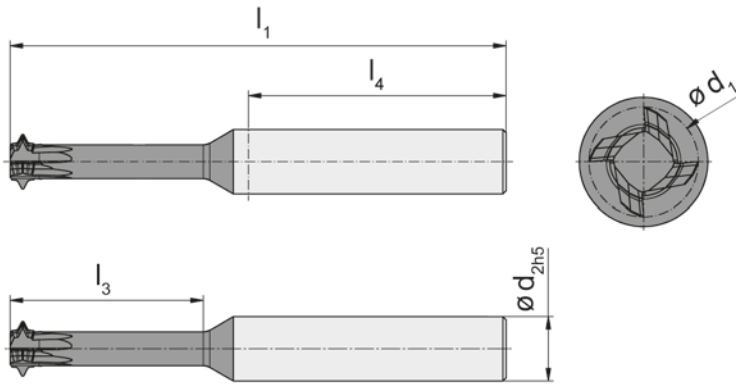
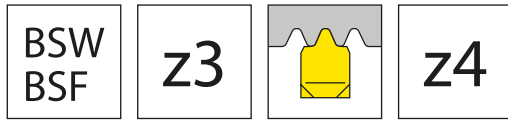
产品型号 Part number	螺纹 Thread	D_{min}	Z	P	d_1	d_2	d_3	l_1	l_3	l_4	AN25
DCG.3.60.540.2.04	#5 - 40 UNC	2.4	3	0.635	2	4	1.1	39	8	22	▲
DCG.3.60.632.2.04	#6 - 32UNC #8 - 32UNC	2.6	3	0.794	2.2	4	-	39	8	22	▲
DCG.4.60.1420.3.06	1/4" - 20 UNC	4.9	4	1.27	3.5	6	-	63	10	40	▲
DCG.4.60.1428.3.06	1/4" - 28 UNF	5.3	4	0.907	3.5	6	-	63	10	40	▲
DCG.4.60.51618.3.06	5/16" - 18 UNC	6.4	4	1.411	4.2	6	-	63	10	40	▲
DCG.4.60.3816.7.08	3/8" - 16 UNC	7.8	4	1.588	5.5	8	-	77	25	40	▲
DCG.4.60.71620.7.08	7/16" - 20 UNF	9.1	4	1.27	7.2	8	-	77	30	40	▲
DCG.4.60.1213.7.08	1/2" - 13 UNC	10.5	4	1.953	7.9	8	-	77	30	40	▲
											P ●
											M ○
											K -
											N -
											S -
											H -

螺纹铣刀 Thread Milling Cutter

DCG



A



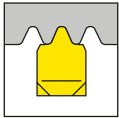
硬质合金牌号
Carbide grades

▲ 库存
on stock

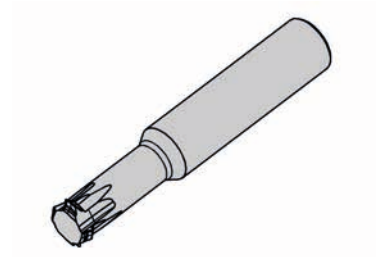
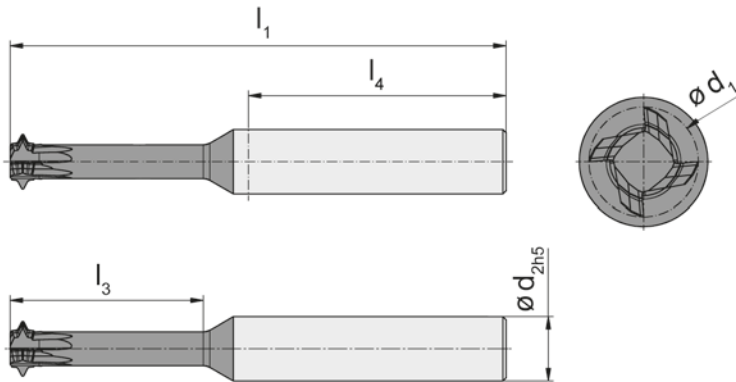
△ 4周
4 weeks

产品型号 Part number	螺纹 Thread	D_{min}	Z	P	d_1	d_2	d_3	l_1	l_3	l_4	AN25
DCG.3.55.1840.2.04	1/8" - 40 BSW	2.3	3	0.635	2	4	1	39	8	22	▲
DCG.3.55.53232.2.04	5/32" - 32 BSW	2.9	3	0.794	2.3	4	-	39	8	22	▲
DCG.3.55.31632.3.06	3/16" - 32 BSF	3.7	3	0.794	2.8	6	-	50	10	36	▲
DCG.3.55.73224.3.06	7/32" - 24 BSW	4.2	3	1.058	3.6	6	-	50	10	36	△
DCG.3.55.73228.3.06	7/32" - 28 BSF	4.3	3	0.907	3.6	6	-	50	10	36	▲
DCG.3.55.1420.5.06	1/4" - 20 BSW	4.7	3	1.27	4	6	-	63	16	40	▲
DCG.3.55.1426.5.06	1/4" - 26 BSF	5	3	0.977	4.2	6	-	63	16	40	▲
DCG.4.55.51618.5.06	5/16" - 18 BSW	6.1	4	1.411	5.2	6	-	63	16	40	▲
DCG.4.55.93226.5.06	9/32" - 26 BSF	5.8	4	0.977	5	6	-	63	16	40	△
DCG.4.55.3816.5.08	3/8" - 16 BSW	7.4	4	1.588	6.3	8	-	63	16	40	▲
DCG.4.55.3820.5.08	3/8" - 20 BSF	7.8	4	1.27	6.5	8	-	63	16	40	▲
DCG.4.55.71614.5.08	7/16" - 14 BSW	8.7	4	1.814	7.2	8	-	63	16	40	▲
DCG.4.55.71614.7.08	7/16" - 14 BSW	8.7	4	1.814	7.2	8	-	77	25	40	▲
DCG.4.55.71618.5.08	7/16" - 18 BSF	9.3	4	1.411	7.5	8	-	63	16	40	△
DCG.4.55.71618.7.08	7/16" - 18 BSF	9.3	4	1.411	7.5	8	-	77	25	40	△
DCG.4.55.1212.6.10	1/2" - 12 BSW	9.9	4	2.117	8.5	10	-	63	20	40	▲
DCG.4.55.1212.8.10	1/2" - 12 BSW	9.9	4	2.117	8.5	10	5.25	77	30	40	▲
DCG.4.55.1216.6.10	1/2" - 16 BSF	10.6	4	1.588	9.5	10	-	63	20	40	△

P	●
M	○
K	-
N	-
S	-
H	-



z4



硬质合金牌号
Carbide grades

▲ 库存
on stock

△ 4周
4 weeks

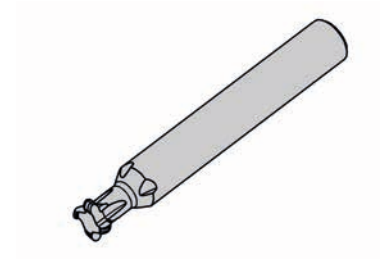
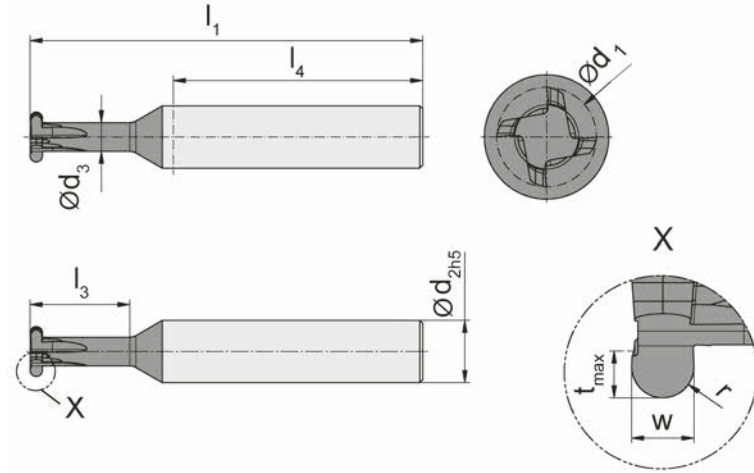
产品型号 Part number	螺纹 Thread	D_{min}	Z	P	d_1	d_2	d_3	l_1	l_3	l_4	AN25
DCG.4.55.G18.5.08	G 1/8"	8.5	4	0.91	6.6	8	5	63	16	40	▲
DCG.4.55.G14.6.10	G 1/4"	11.4	4	1.34	9.5	10	7.1	63	20	36	▲
DCG.4.55.G38.8.10	G 3/8"	14.9	4	1.34	9.8	10	7.4	77	30	40	▲
											P ●
											M ○
											K -
											N -
											S -
											H -

槽铣刀 Groove milling cutter

DCR



A



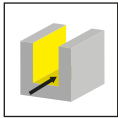
硬质合金牌号
Carbide grades

▲ 库存
on stock

△ 4周
4 weeks

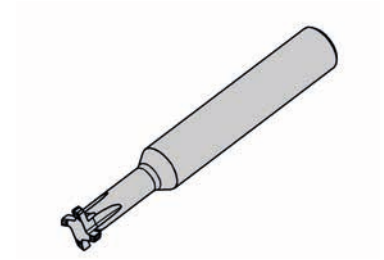
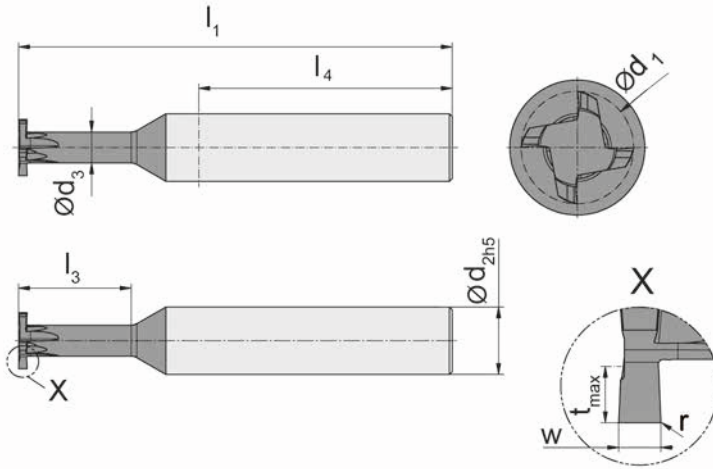
产品型号 Part number	Z	w	t _{max}	r	d ₁	d ₂	d ₃	l ₁	l ₃	l ₄	AN25
DCR.3.40.10.05.1.06	3	1	0.5	0.5	4	6	2.75	50	4	36	▲
DCR.3.60.10.05.1.06	3	1	1	0.5	6	6	3.7	50	4	36	▲
DCR.3.60.10.05.2.06	3	1	1	0.5	6	6	3.7	63	6	40	▲
DCR.3.60.15.75.2.06	3	1.5	1	0.75	6	6	3.7	63	6	40	▲
DCR.4.80.15.75.3.08	4	1.5	1.5	0.75	8	8	4.6	63	8	40	▲
DCR.4.80.15.75.5.08	4	1.5	1.5	0.75	8	8	4.6	63	16	40	▲
DCR.4.80.20.10.3.08	4	2	1.5	1	8	8	4.6	63	8	40	▲
DCR.4.80.20.10.5.08	4	2	1.5	1	8	8	4.6	63	16	40	▲
DCR.4.100.10.05.6.10	4	1	2	0.5	10	10	5.5	77	20	55	▲
DCR.4.100.15.75.6.10	4	1.5	2	0.75	10	10	5.5	77	20	55	▲
DCR.4.100.20.10.6.10	4	2	2	1	10	10	5.5	77	20	55	▲
DCR.4.100.25.12.6.10	4	2.5	2	1.25	10	10	5.5	77	20	55	▲
DCR.4.100.30.15.6.10	4	3	2	1.5	10	10	5.5	77	20	55	▲

P	●
M	○
K	-
N	-
S	-
H	-



z3

z4



硬质合金牌号
Carbide grades

▲ 库存
on stock

△ 4周
4 weeks

产品型号 Part number	Z	w	t _{max}	r	d ₁	d ₂	d ₃	l ₁	l ₃	l ₄	AN25
DCN.3.30.05.00.1.06	3	0.5	0.4	-	3	6	2	50	3	36	▲
DCN.3.30.05.00.2.06	3	0.5	0.4	-	3	6	2	50	5	36	▲
DCN.3.30.10.00.1.06	3	1	0.4	-	3	6	2	50	3	36	▲
DCN.3.30.10.00.2.06	3	1	0.4	-	3	6	2	50	5	36	▲
DCN.3.40.05.00.1.06	3	0.5	0.5	-	4	6	2.8	50	4	36	▲
DCN.3.40.10.00.1.06	3	1	0.5	-	4	6	2.8	50	4	36	▲
DCN.3.60.10.00.1.06	3	1	1	-	6	6	3.7	50	4	36	▲
DCN.3.60.10.00.2.06	3	1	1	-	6	6	3.7	63	6	40	▲
DCN.3.60.15.15.2.06	3	1.5	1	0.15	6	6	3.7	63	6	40	▲
DCN.4.80.15.15.3.08	4	1.5	1.5	0.15	8	8	4.6	63	8	40	▲
DCN.4.80.15.15.5.08	4	1.5	1.5	0.15	8	8	4.6	63	16	40	▲
DCN.4.80.20.15.3.08	4	2	1.5	0.15	8	8	4.6	63	8	40	▲
DCN.4.80.20.15.5.08	4	2	1.5	0.15	8	8	4.6	63	16	40	▲
DCN.4.100.10.00.6.10	4	1	2	-	10	10	5.5	77	20	50	▲
DCN.4.100.15.00.6.10	4	1.5	2	-	10	10	5.5	77	20	50	▲
DCN.4.100.20.15.6.10	4	2	2	0.15	10	10	5.5	77	20	50	▲
DCN.4.100.25.15.6.10	4	2.5	2	0.15	10	10	5.5	77	20	50	▲
DCN.4.100.30.15.6.10	4	3	2	0.15	10	10	5.5	77	20	50	▲

P	●
M	○
K	-
N	-
S	-
H	-

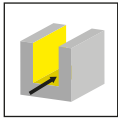
槽铣刀

Groove milling cutter

DCX

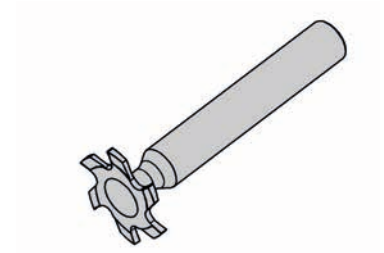
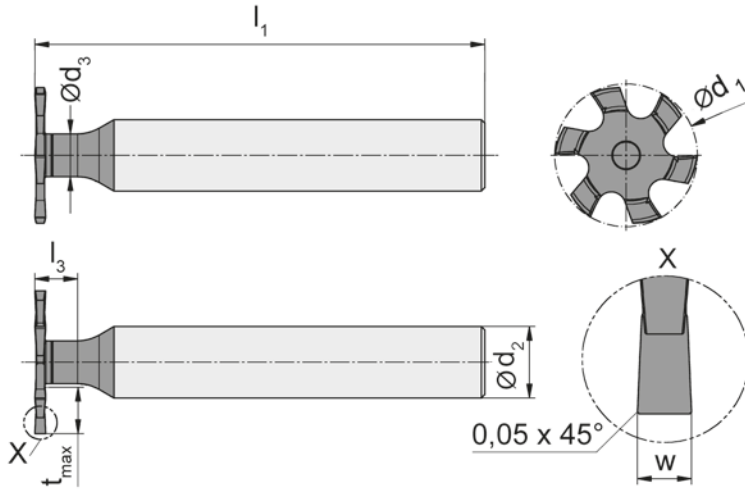


A



z6

z8



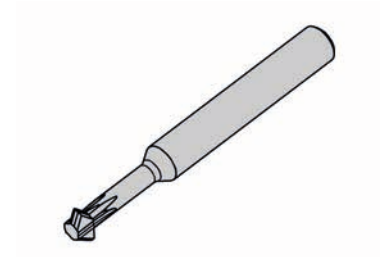
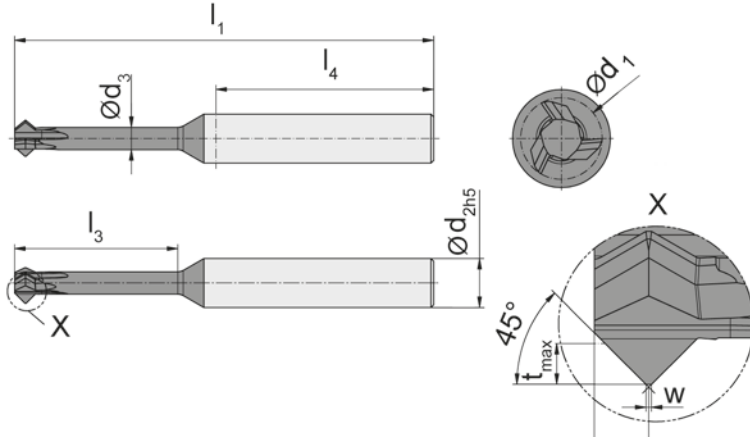
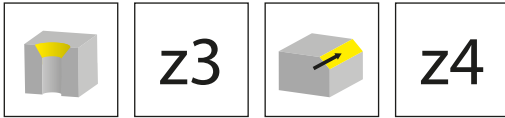
硬质合金牌号
Carbide grades

▲ 库存
on stock

△ 4周
4 weeks

产品型号 Part number	Z	w	t _{max}	d ₁	d ₂	d ₃	l ₁	l ₃	l ₄	AS45
DCX.6.20.150.2.05.10	6	1.5	7	20	10	5	63	6	50	▲
DCX.6.20.200.2.05.10	6	2	7	20	10	5	63	6	50	▲
DCX.6.20.250.2.05.10	6	2.5	7	20	10	5	63	6	50	▲
DCX.6.25.150.2.06.10	6	1.5	9	25	10	6	63	6	51	▲
DCX.6.25.200.2.06.10	6	2	9	25	10	6	63	6	51	▲
DCX.6.25.250.2.06.10	6	2.5	9	25	10	6	63	6	51	▲
DCX.6.30.150.4.07.12	6	1.5	11	30	12	7	80	9	65	▲
DCX.6.30.200.4.07.12	6	2	11	30	12	7	80	9	65	▲
DCX.6.30.250.4.07.12	6	2.5	11	30	12	7	80	9	65	▲
DCX.6.30.300.4.07.12	6	3	11	30	12	7	80	9	65	▲
DCX.6.35.150.4.08.12	6	1.5	13	35	12	8	80	11	64	▲
DCX.6.35.200.4.08.12	6	2	13	35	12	8	80	11	64	▲
DCX.6.35.250.4.08.12	6	2.5	13	35	12	8	80	11	64	▲
DCX.6.35.300.4.08.12	6	3	13	35	12	8	80	11	64	▲
DCX.8.40.150.4.09.12	8	1.5	15	40	12	9	80	11	65	▲
DCX.8.40.200.4.09.12	8	2	15	40	12	9	80	11	65	▲
DCX.8.40.250.4.09.12	8	2.5	15	40	12	9	80	11	65	▲
DCX.8.40.300.4.09.12	8	3	15	40	12	9	80	11	65	▲

P	●
M	●
K	●
N	○
S	●
H	-



硬质合金牌号
Carbide grades

▲ 库存
on stock

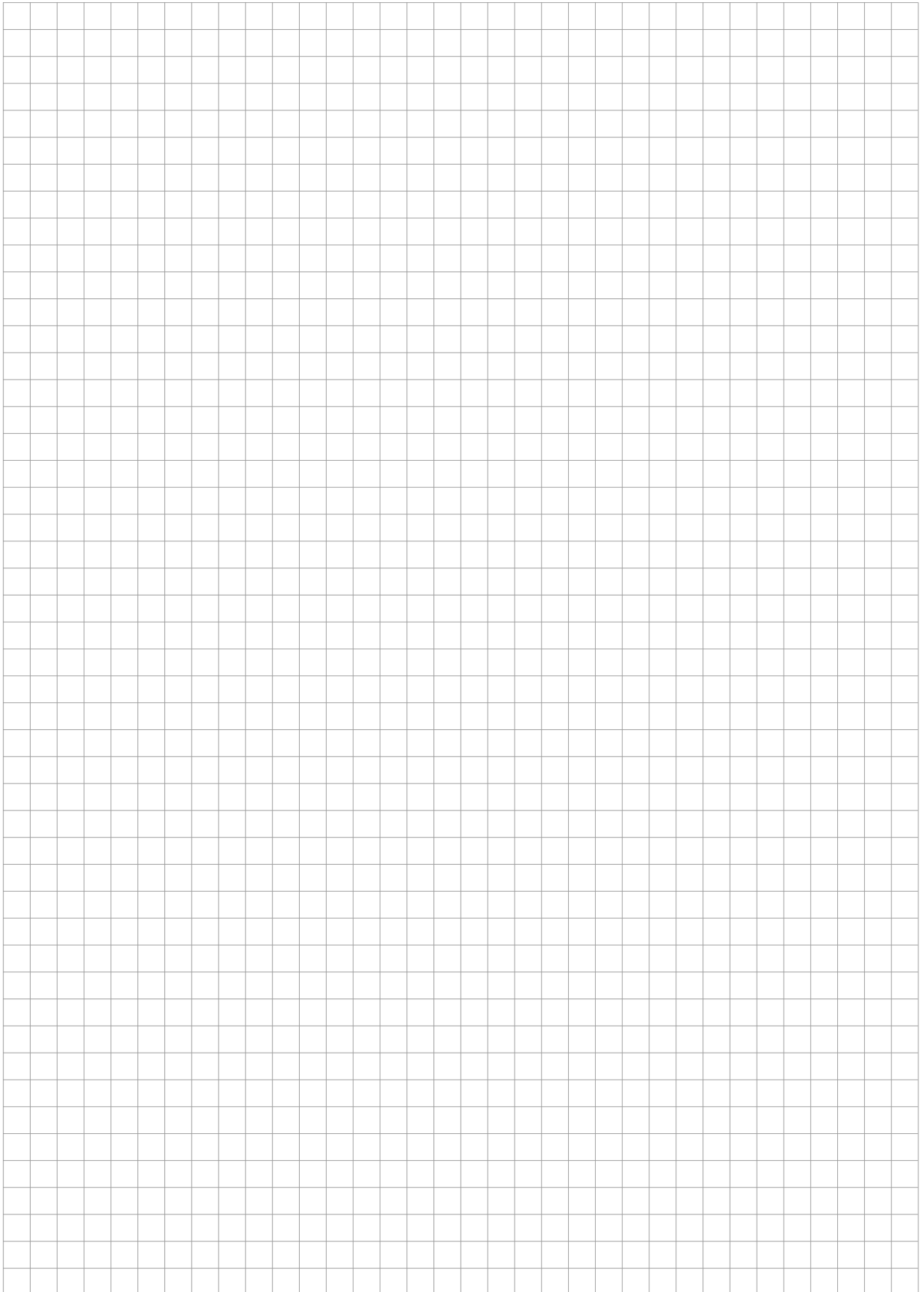
△ 4周
4 weeks

产品型号 Part number	Z	w	倒角 Chamfer	t_{max}	d_1	d_2	d_3	l_1	l_3	l_4	AN25	
DCF.3.20.4545.1.04	3	0.2	45°	0.3	2	4	1.25	39	4	22	▲	P ●
DCF.3.30.4545.2.04	3	0.2	45°	0.3	3	4	2.1	39	6	22	▲	M ○
DCF.3.40.4545.3.06	3	0.2	45°	0.75	4	6	2.2	50	8	36	▲	K -
DCF.3.50.4545.3.06	3	0.2	45°	1	5	6	2.7	50	10	36	▲	N -
DCF.3.60.4545.5.06	3	0.2	45°	1.25	6	6	3.15	63	16	40	▲	S -
DCF.3.60.4545.6.06	3	0.2	45°	1.25	6	6	3.15	63	20	40	▲	H -
DCF.3.75.4545.6.08	3	0.2	45°	1.5	7.5	8	4.1	63	20	40	▲	
DCF.3.75.4545.8.08	3	0.2	45°	1.5	7.5	8	4.1	77	30	40	▲	
DCF.4.75.4545.8.08	4	0.2	45°	1.5	7.5	8	4.1	77	30	40	▲	

材料组 Material	材料组 Material group	硬度 (HB) Hardness Brinell	抗拉强度 R _m [N/mm ²] Tensile Strength	材料示例 Example Material	切削速度 vc (m/min) Cutting speed 起始值 Start values			
					ES1_ AN2_ AS4_	fz		
P 碳钢 Carbon steel	~ 0,2 % C	P1.1	125	430	CK15	250-180	0,01 -0,03	
	~ 0,4% C 退火 annealed	P1.2	190	610	19Mn6	220-160	0,01 -0,03	
	~ 0,4% C 调质 quenched	P1.3	210	640	36Mn5	200-140	0,01 -0,03	
	~ 0,6% C 退火 annealed	P1.4	190	610	C55	180-120	0,01 -0,03	
	~ 0,6% C 调质 quenched	P1.5	300	1000	CK60	150-90	0,01 -0,03	
	易切钢 Free cutting steel	P1.6	220	750	9SMn28	250-180	0,01 -0,03	
	合金钢 (<5%) Alloyed steel	退火 annealed	P2.1	180	590	100Cr6	200-140	0,01 -0,03
		调质 quenched	P2.2	280	960	14NiCr10	150-90	0,01 -0,03
		调质 quenched	P2.3	350	1250	34CrMo4	140-80	0,01 -0,03
		调质 quenched	P2.4	430	1450	55Cr3	140-80	0,01 -0,03
	高合金钢 (>5%) high alloyed steel	退火 annealed	P3.1	200	680	X10CrAl18	180-120	0,01 -0,03
		硬化 hardened	P3.2	350	1200	X210Cr2	140-80	0,01 -0,03
	铸钢 Cast steel	非合金 unalloyed	P4.1	180	590	GE200	250-180	0,01 -0,03
		合金 alloyed	P4.2	220	750	GX40CrSi28	220-160	0,01 -0,03
	粉末冶金钢 Sintered steel	软质 soft	P5.1	220	570	Sint-D39		0,01 -0,03
	M 不锈钢 Stainless steel	马氏体, 铁素体 martensitic ferritic	M1.1	200	680	X16Cr13	150-90	0,01 -0,03
奥氏体 austenitic		M1.2	300	1000	X6CrNiMo-Ti17-12-2	140-80	0,01 -0,03	
奥氏体, 铁素体 austenitic ferritic		M1.3	230	780	X2CrNi-MoN17-13-3	120-60	0,01 -0,03	
H 淬硬钢 Hardened steels	50-55 HRC	H1.1	-	-				
	55-60 HRC	H1.2	-	-				
	60-63 HRC	H1.3	-	-				
	> 63HRC	H1.4	-	-				

材料组 Material	材料组 Material group	硬度 (HB) Hardness Brinell	抗拉强度 R _m [N/mm ²] Tensile Strength	材料示例 Example Material	切削速度 v _c (m/min) Cutting speed 起始值 Start values			
					ES1_ AN2_ AS4_	fz		
K	灰铸铁 Grey cast iron	低拉伸强度 low tensile strength	K1.1	180	250	GG-25	230-190	0,01 - 0,03
		高拉伸强度 high tensile strength	K1.2	250	350	GG-40	230-190	0,01 - 0,03
	球磨铸铁 Spheroidal graphite cast iron	铁素体 ferritic	K2.1	160	400	GGG-40	220-160	0,01 - 0,03
		珠光体 perlitic	K2.1	260	700	GGG-60	220-160	0,01 - 0,03
	可锻铸铁 Malleable cast iron	铁素体 ferritic	K3.1	200	400	GTW-45	220-160	0,01 - 0,03
		珠光体 perlitic	K3.2	260	700	GTS-55-04	220-160	0,01 - 0,03
	奥氏体球墨铸 铁 / ADI Ausferritic spheroidal cast iron / ADI	调质 quenched	K4.1	260	800			
		调质 quenched	K4.2	350	1050			
		调质 quenched	K4.3	450	1400			
	N	铝合金 Al-alloys	非热处理 not heat treatable	N1.1	30		AlMg1	bis 1000
热处理 heat treatable			N1.2	100	340	AlMgSi1	600-200	0,02 - 0,04
铸铝合金 Al-cast-alloy		< 6% Si	N2.1	80	300	AlMgSi6	400-200	0,02 - 0,04
		6-10% Si	N2.2	100	320	AlSi7Mg		
		10-15 % Si	N2.3	130	450	AlSi12		
铜合金 Copper-alloys		纯铜 Pure copper	N3.1	100	340	Cu	400-200	0,02 - 0,04
		黄铜, 青铜 Brass	N3.2	90	310	CuZn40Pb	400-200	0,02 - 0,04
		无铅黄铜 Lead-free brass	N3.3	110	430	CuZn40	400-200	0,02 - 0,04
		高强度 high strength	N3.4	300	1000	CuZn25Al- 5Mn4Fe3	160-100	0,02 - 0,04
石墨 Graphite			N4.1					
S	耐热合金(铁基) Heat resistant alloy	退火 annealed	S1.1	200	670		120-60	0,02 - 0,04
		硬化 hardened	S1.2	275	930		120-60	0,02 - 0,04
	耐热合金 (镍基, 钴基) Heat resistant alloy	退火 annealed	S2.1	250	840	Inconel 600	90-30	0,02 - 0,04
		硬化 hardened	S2.2	350	1200	Inconel 713	90-30	0,02 - 0,04

材料组 Material	材料组 Material group	硬度 (HB) Hardness Brinell	抗拉强度 R _m [N/mm ²] Tensile Strength	材料示例 Example Material	切削速度 vc (m/min) Cutting speed 起始值 Start values		
					ES1_ AN2_ AS4_	fz	
S 钛 Titan	钛合金 α Titanium alloy α	S3.1	120	240		120-80	0,02 - 0,04
	钛合金 α-β Titanium alloy α-β	S3.2	360	1200		120-80	0,02 - 0,04
	钛合金 β Titanium alloy β	S3.3	410	1400		120-80	0,02 - 0,04
O	热塑性塑料 Thermoplastics	O1.1					
	Duro塑料 Duro plaste	O1.2					
	玻璃纤维增强 塑料 Plastics glass fibre reinforced	GFK O1.3					
	碳纤维增强塑料 Plastics carbon fibre reinforced	CKF O1.4					





系列/System	页/Page
M304	28
M306	36
M308	66
M311	88
M116	110
M313	116
M328	150
M332	176
M335	200
M620	204

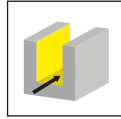
槽铣削(圆弧插补铣削)

Groove Milling by circular interpolation



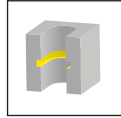
B

铣刀杆
Milling shank
M304/M304.ST



页/Page
30-31

刀片
Insert
304



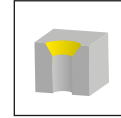
页/Page
32



页/Page
33



页/Page
34



页/Page
35

M304



铣刀杆

带可转位刀片

孔径自Ø 7.7 mm

Milling shank with
exchangeable insert

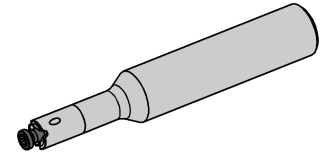
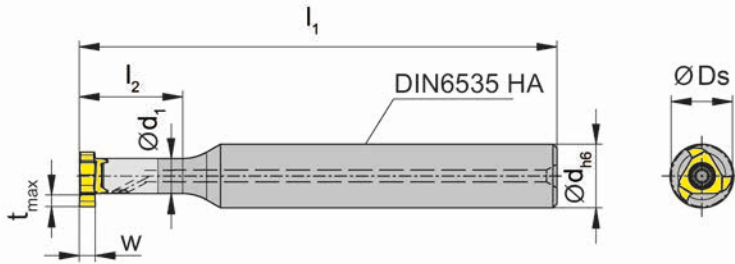
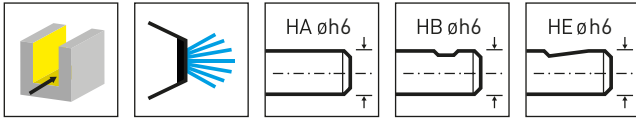
from bore Ø 7,7 mm

铣刀杆 Milling shank

M304



B

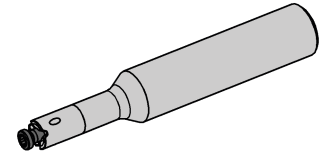
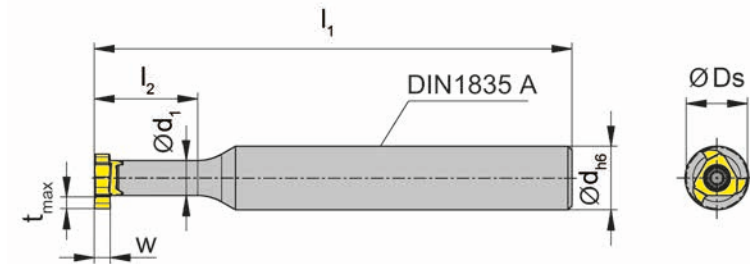
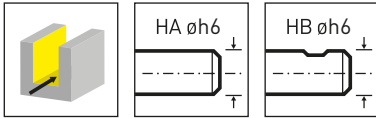


产品型号 Part number	d	l ₁	l ₂	d ₁	形式 Form	HWS
M304.0008.01A	8	60	13	4.4	A	304044R
M304.0008.02A	8	64	17	4.4	A	304044R
M304.0008.03A	8	68	21	4.4	A	304044R
M304.0008.01B	8	60	13	4.4	B	304044R
M304.0008.02B	8	64	17	4.4	B	304044R
M304.0008.03B	8	68	21	4.4	B	304044R
M304.0008.01E	8	60	13	4.4	E	304044R
M304.0008.02E	8	64	17	4.4	E	304044R
M304.0008.03E	8	68	21	4.4	E	304044R

w, Ds, tmax 见刀片
w, Ds, tmax see inserts

配件 Spare Parts

铣刀杆 Milling shank	锁紧螺钉 Clamping Screw	TORX PLUS® 扳手 TORX PLUS® Wrench
M304...	1.8.4T6EP	T6PL



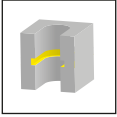
产品型号 Part number	d	l ₁	l ₂	d ₁	形式 Form	HWS
M304.ST08.01A	8	60	13	4.4	A	304044R
M304.ST08.01B	8	60	13	4.4	B	304044R

w, Ds, tmax 见刀片
w, Ds, tmax see inserts

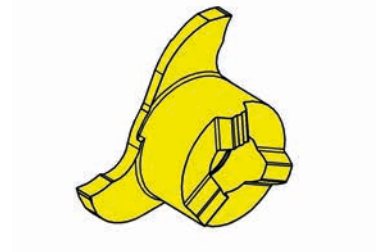
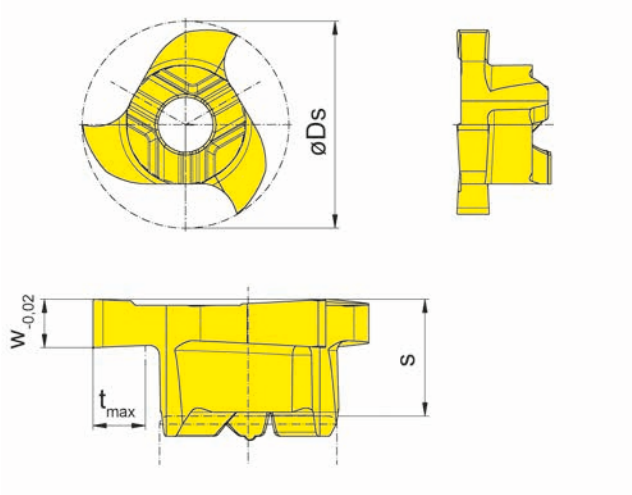
配件
Spare Parts

铣刀杆 Milling shank	锁紧螺钉 Clamping Screw	TORX PLUS® 扳手 TORX PLUS® Wrench
M304...	1.8.4T6EP	T6PL

B



z3



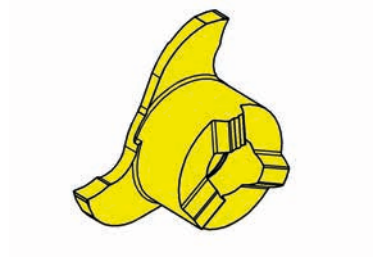
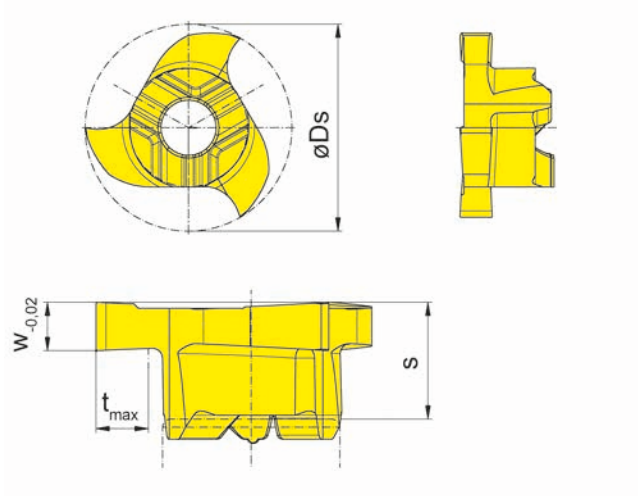
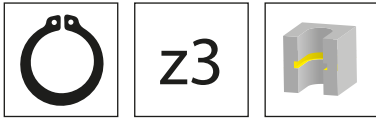
图示=右手型
Picture = right hand cutting version

硬质合金牌号
Carbide grades

▲ 库存
on stock

△ 4周
4 weeks

产品型号 Part number	Ds	w	s	r	t _{max}	Z	HIS	EG35	EG55	IG35	
304.0025.20	7.7	0.25	2.6	-	1.3	3	304044R	▲		△	
304.0030.20	7.7	0.3	2.6	-	1.3	3	304044R	▲		△	
304.0040.20	7.7	0.4	2.6	-	1.3	3	304044R	▲		△	
304.0050.20	7.7	0.5	2.6	-	1.3	3	304044R		▲	▲	
304.0060.20	7.7	0.6	2.6	-	1.3	3	304044R	▲		△	
304.0070.20	7.7	0.7	2.6	-	1.3	3	304044R	▲		△	
304.0100.20	7.7	1	2.6	-	1.3	3	304044R		▲	▲	
304.0150.20	7.7	1.5	2.9	0.1	1.3	3	304044R		▲	▲	
304.0200.20	7.7	2	2.9	0.2	1.3	3	304044R		▲	▲	
								P	●	●	-
								M	●	○	●
								K	○	○	-
								N	-	-	-
								S	-	-	●
								H	-	-	-



图示=右手型
Picture = right hand cutting version

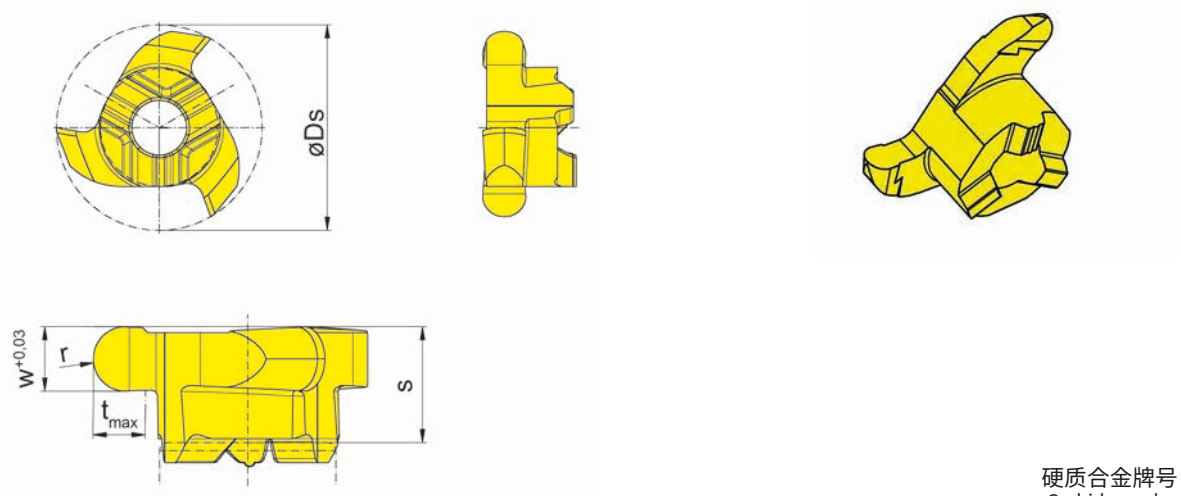
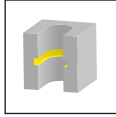
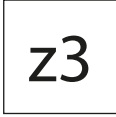
硬质合金牌号
Carbide grades

▲ 库存
on stock

△ 4周
4 weeks

产品型号 Part number	Ds	Nw	w	s	t _{max}	Z	HIS	EG55	IG35
304.0080.20	7.7	0.8	0.87	2.6	1.3	3	304044R	▲	▲
304.0090.20	7.7	0.9	0.97	2.6	1.3	3	304044R	▲	▲
304.0110.20	7.7	1.1	1.21	2.9	1.3	3	304044R	▲	▲
304.0130.20	7.7	1.3	1.41	2.9	1.3	3	304044R	▲	▲
								P	● -
								M	○ ●
								K	○ -
								N	- -
								S	- ●
								H	- -

B



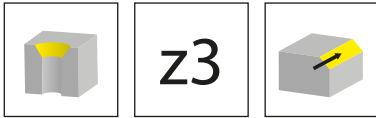
图示=右手型
Picture = right hand cutting version

硬质合金牌号
Carbide grades

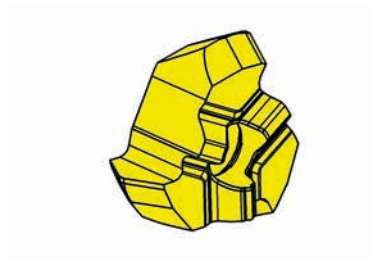
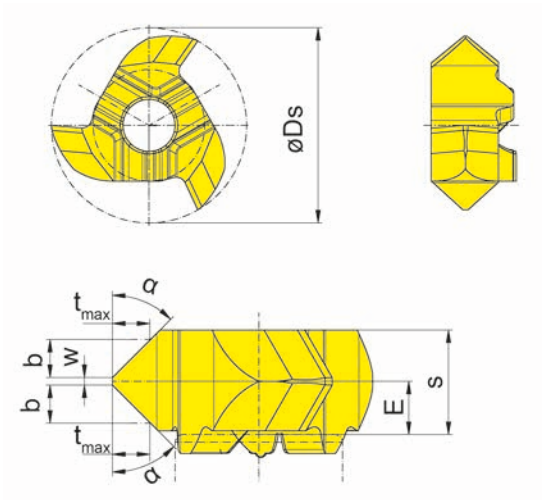
▲ 库存
on stock

△ 4周
4 weeks

产品型号 Part number	Ds	w	s	r	t _{max}	Z	HIS	EG55	IG35
304.0004.08	7.7	0.8	2.6	0.4	1.3	3	304044R	▲	▲
304.0006.12	7.7	1.2	2.9	0.6	1.3	3	304044R	▲	▲
304.0008.16	7.7	1.6	2.9	0.8	1.3	3	304044R	△	△
								P ● -	
								M ○ ●	
								K ○ -	
								N - -	
								S - ●	
								H - -	



B



图示=右手型
Picture = right hand cutting version

硬质合金牌号
Carbide grades

▲ 库存
on stock

△ 4周
4 weeks

产品型号 Part number	Ds	E	s	w	α	b	t_{max}	Z	HIS	EG55	IG35	
304.1515.20	7.7	1.4	2.75	0.2	15°	1	0.3	3	304044R	△	△	
304.3030.20	7.7	1.4	2.75	0.2	30°	1	0.6	3	304044R	▲	▲	
304.4545.20	7.7	1.4	2.75	0.2	45°	1	1	3	304044R	▲	▲	
										P	●	-
										M	○	●
										K	○	-
										N	-	-
										S	-	●
										H	-	-

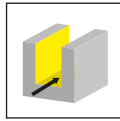
槽铣削 (圆弧插补铣削)

Groove Milling by circular interpolation

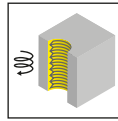


B

铣刀杆
Milling shank
M306/M306.ER/M306.
ST



页/Page
38, 40-42

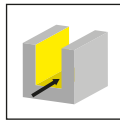


页/Page
39

常规刀柄
Basic Holder
WFB

页/Page
43

螺纹锁紧铣刀
Screw-in cutter
M306.M

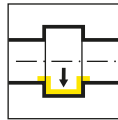


页/Page
44

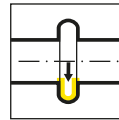
刀片
Insert
108/306/606



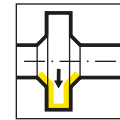
页/Page
45-46, 50-53, 60



页/Page
47



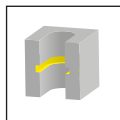
页/Page
48



页/Page
49



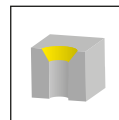
页/Page
54, 57



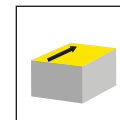
页/Page
55-56, 61



页/Page
58



页/Page
59, 62-63



页/Page
64-65

M306



铣刀杆

带可转位刀片

孔径自 \varnothing 10 mm

Milling shank with
exchangeable insert

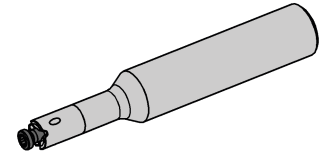
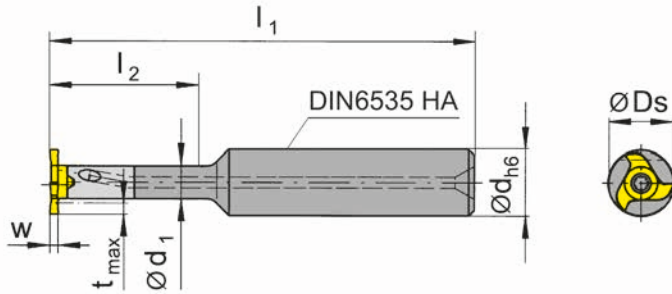
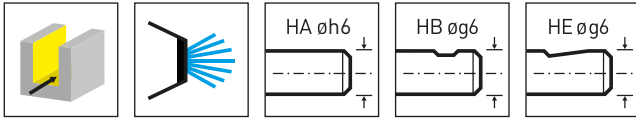
from bore \varnothing 10 mm

铣刀杆 Milling shank

M306



B



产品型号 Part number	d	l ₁	l ₂	d ₁	形式 Form	HWS
M306.0012.01A	12	80	21	6	A	306060R • 306060L
M306.0012.02A	12	90	30	6	A	306060R • 306060L
M306.0012.03A	12	100	42	6	A	306060R • 306060L
M306.0012.01B	12	80	21	6	B	306060R • 306060L
M306.0012.02B	12	90	30	6	B	306060R • 306060L
M306.0012.03B	12	100	42	6	B	306060R • 306060L
M306.0012.01E	12	80	21	6	E	306060R • 306060L
M306.0012.02E	12	90	30	6	E	306060R • 306060L
M306.0012.03E	12	100	42	6	E	306060R • 306060L

w, Ds, tmax 见刀片
w, Ds, tmax see inserts

配件 Spare Parts

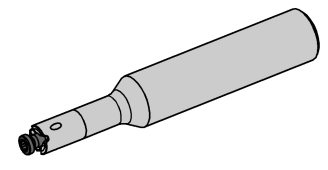
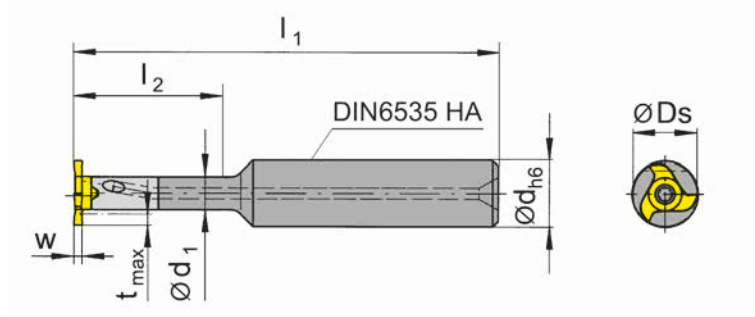
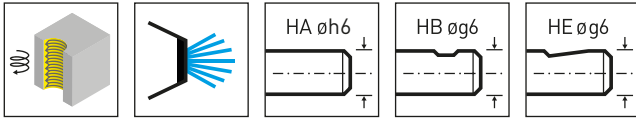
铣刀杆 Milling shank	锁紧螺钉 Clamping Screw	TORX PLUS® 扳手 TORX PLUS® Wrench
M306...	2.6.5T8EP	T8PL

铣刀杆 Milling shank

M306



B

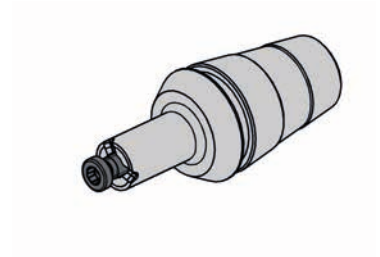
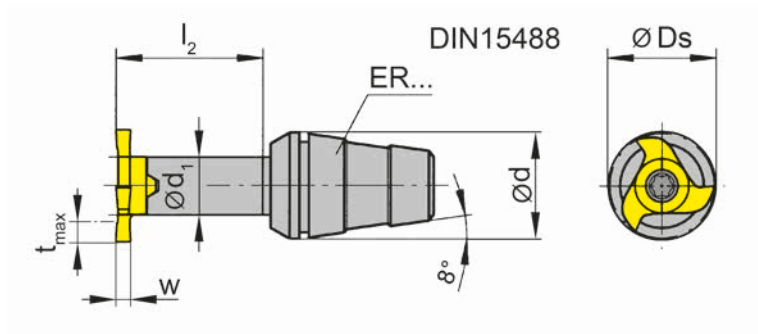
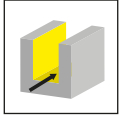


产品型号 Part number	d	l ₁	l ₂	d ₁	形式 Form	HWS
M306.0712.02A	12	90	30	7.3	A	306060R • 306060L
M306.0716.01A	16	100	25	7.3	A	306060R • 306060L
M306.0716.02A	16	110	35	7.3	A	306060R • 306060L
M306.0712.02B	12	90	30	7.3	B	306060R • 306060L
M306.0716.01B	16	100	25	7.3	B	306060R • 306060L
M306.0712.02E	12	90	30	7.3	E	306060R • 306060L
M306.0716.01E	16	100	25	7.3	E	306060R • 306060L

w, Ds, tmax 见刀片
w, Ds, tmax see inserts

配件 Spare Parts

铣刀杆 Milling shank	锁紧螺钉 Clamping Screw	TORX PLUS® 扳手 TORX PLUS® Wrench
M306...	2.6.5T8EP	T8PL



产品型号 Part number	d	l ₂	d ₁	锁紧螺母 Clamping nut	HWS
M306.ER11.02	11	16	6	ER11.6499	306060R • 306060L

w, Ds, tmax 见刀片
w, Ds, tmax see inserts

铣刀杆不包含夹紧螺母-需要单独订购!
Clamping nut is not combined with milling shank - separate order required!

配件
Spare Parts

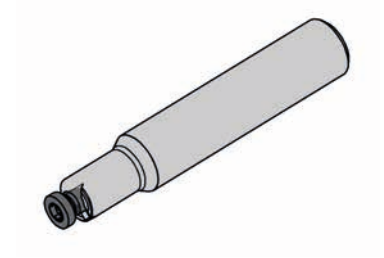
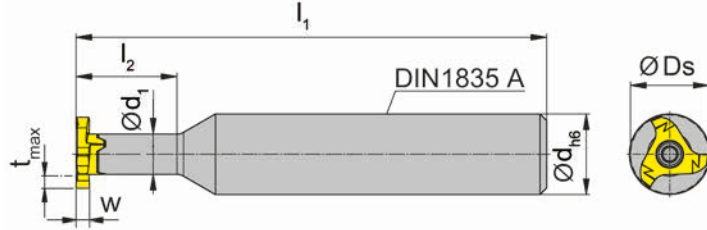
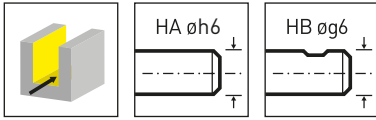
铣刀杆 Milling shank	锁紧螺钉 Clamping Screw	TORX PLUS® 扳手 TORX PLUS® Wrench
M306.ER11.02	2.6.5T8EP	T8PL

铣刀杆 Milling shank

M306.ST



B

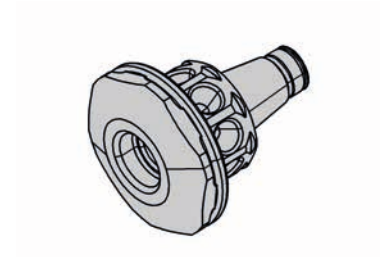
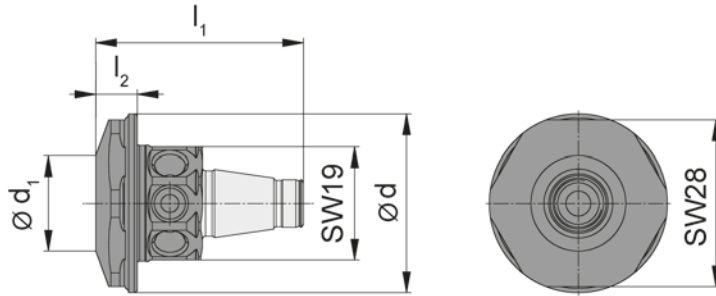


产品型号 Part number	d	l ₁	l ₂	d ₁	形式 Form	HWS
M306.ST10.01A	10	60	15	6	A	306060R • 306060L
M306.ST12.01A	12	70	15	6	A	306060R • 306060L
M306.ST10.01B	10	60	15	6	B	306060R • 306060L
M306.ST12.01B	12	70	15	6	B	306060R • 306060L

w, Ds, tmax 见刀片
w, Ds, tmax see inserts

配件 Spare Parts

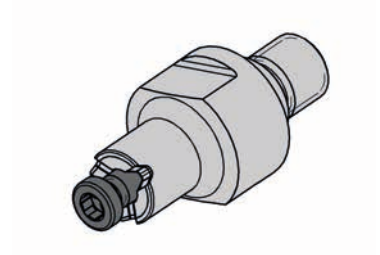
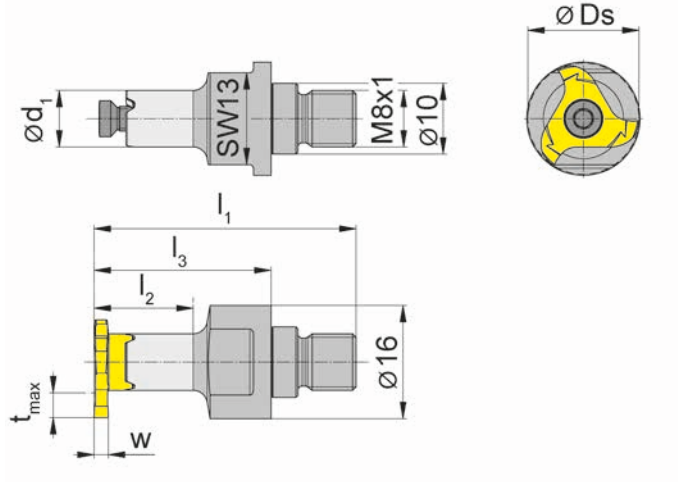
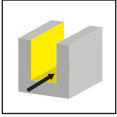
铣刀杆 Milling shank	锁紧螺钉 Clamping Screw	TORX PLUS® 扳手 TORX PLUS® Wrench
M306...	2.6.5T8EP	T8PL



产品型号 Part number	l_1	l_2	d_1	d
WFB.2012.M081.01	35	7	16	30

配合螺纹锁紧型铣刀
for Screw-in cutter

B

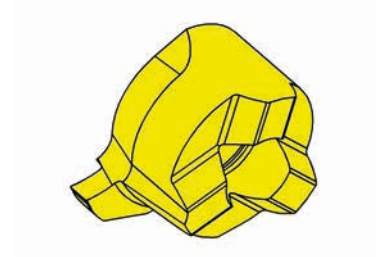
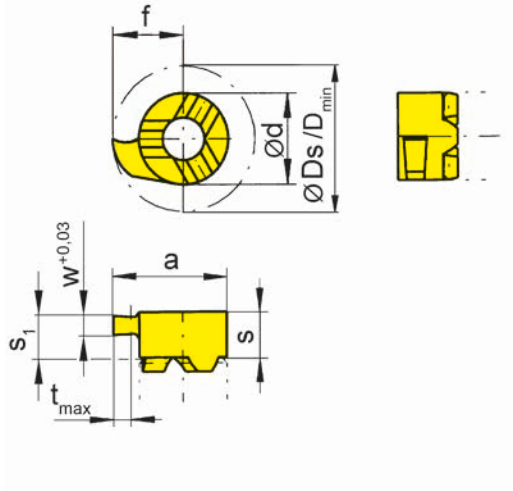
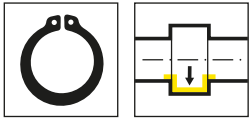


产品型号 Part number	l_1	l_2	l_3	d_1	SW
M306.M081.01	37	11	25	6	13

w, D_s, t_{max}见刀片
w, D_s, t_{max} see inserts

配件
Spare Parts

螺纹锁紧铣刀 Screw-in cutter	锁紧螺钉 Clamping Screw	TORX PLUS®扳手 TORX PLUS® Wrench
M306.M081.01	2.6.5T8EP	T8PL



R=右手型-如图
R = right hand version shown

L=左手型
L = left hand version

▲ 库存
on stock

硬质合金牌号
Carbide grades

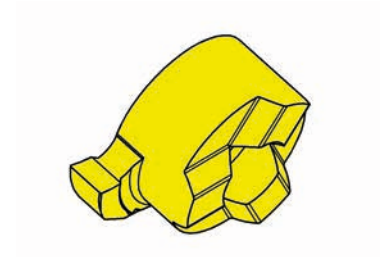
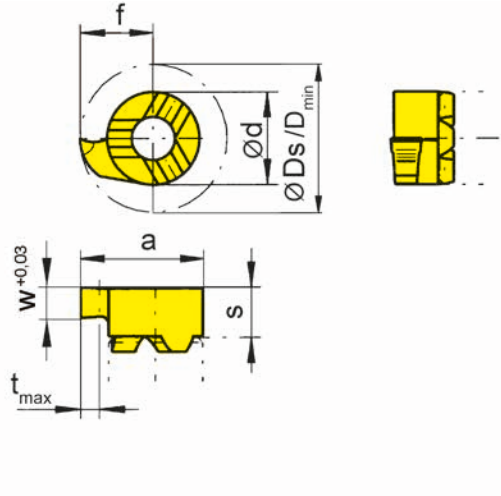
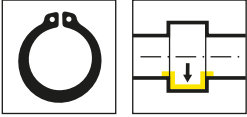
△ 4周
4 weeks

产品型号 Part number	w	Nw	f	Ds	d	s	s ₁	a	t _{max}	D _{min}	Z	HIS	EG55	TH35	TN35
R108.0070.00	0.74	0.7	4.8	9.6	6	3.6	3.2	7.8	1	8	1	306060R	▲	▲	▲
R108.0080.00	0.84	0.8	4.8	9.6	6	3.6	3.2	7.8	1	8	1	306060R	▲	▲	▲
R108.0090.00	0.94	0.9	4.8	9.6	6	3.6	3.2	7.8	1	8	1	306060R	▲	▲	▲
L108.0070.00	0.74	0.7	4.8	9.6	6	3.6	3.2	7.8	1	8	1	306060L	△	▲	▲
L108.0080.00	0.84	0.8	4.8	9.6	6	3.6	3.2	7.8	1	8	1	306060L	△	△	▲
L108.0090.00	0.94	0.9	4.8	9.6	6	3.6	3.2	7.8	1	8	1	306060L	△	▲	▲

无法进行端面切削，切削深度受限
not face cutting, limited depth of cut

P	●	●	●
M	○	●	●
K	○	●	●
N	-	●	●
S	-	●	●
H	-	-	-

B



R=右手型-如图
R = right hand version shown

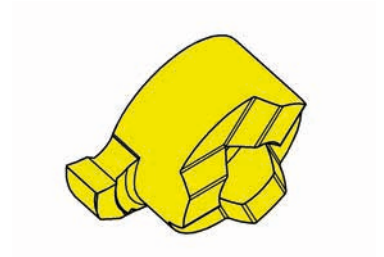
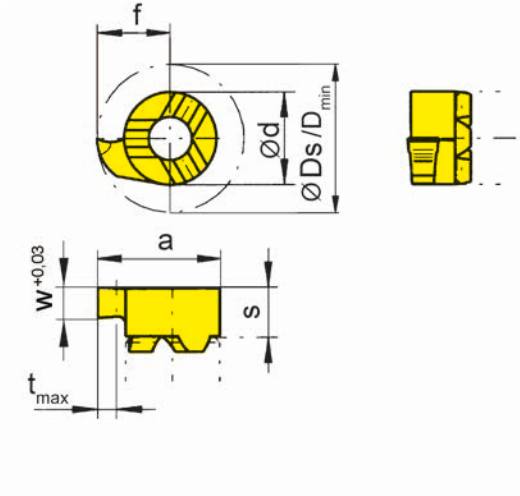
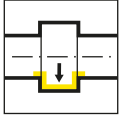
L=左手型
L = left hand version

▲ 库存
on stock

△ 4周
4 weeks

硬质合金牌号
Carbide grades

产品型号 Part number	w	Nw	s	f	Ds	a	d	t _{max}	D _{min}	Z	HIS	MG12	EG55	TH35	TN35
R108.0110.00	1.19	1.1	3.2	4.8	9.6	7.8	6	1	8	1	306060R	▲	▲	▲	▲
R108.0130.00	1.39	1.3	3.2	4.8	9.6	7.8	6	1	8	1	306060R	▲	▲	▲	▲
R108.0160.00	1.69	1.6	3.2	4.8	9.6	7.8	6	1	8	1	306060R	▲	△	▲	▲
L108.0110.00	1.19	1.1	3.2	4.8	9.6	7.8	6	1	8	1	306060L	▲	△	▲	▲
L108.0130.00	1.39	1.3	3.2	4.8	9.6	7.8	6	1	8	1	306060L			△	▲
L108.0160.00	1.69	1.6	3.2	4.8	9.6	7.8	6	1	8	1	306060L		▲	△	▲
												P	o	•	•
												M	-	o	•
												K	-	o	•
												N	-	-	•
												S	-	-	•
												H	-	-	-



R=右手型-如图
R = right hand version shown

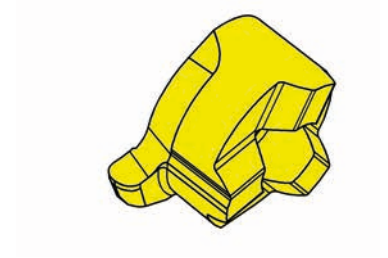
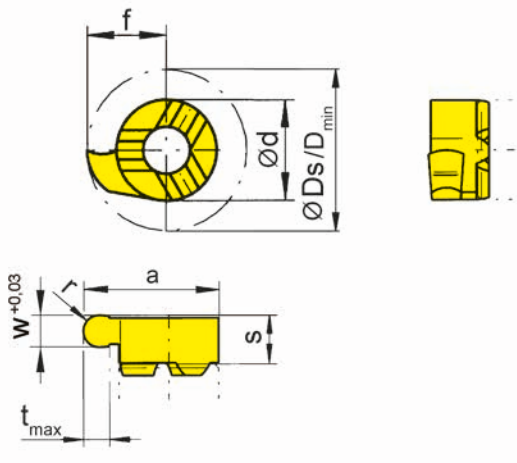
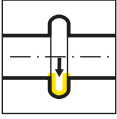
L=左手型
L = left hand version

▲ 库存
on stock

硬质合金牌号
Carbide grades
△ 4周
4 weeks

产品型号 Part number	w	s	f	Ds	a	d	t _{max}	D _{min}	Z	HIS	MG12	EG55	TH35	TN35
R108.0150.00	1.5	3.2	4.8	9.6	7.8	6	1	8	1	306060R	▲	▲	▲	▲
R108.0200.00	2	3.2	4.8	9.6	7.8	6	1	8	1	306060R	▲	▲	▲	▲
L108.0150.00	1.5	3.2	4.8	9.6	7.8	6	1	8	1	306060L	▲		△	▲
L108.0200.00	2	3.2	4.8	9.6	7.8	6	1	8	1	306060L	▲		▲	▲
											P	o	•	•
											M	-	o	•
											K	-	o	•
											N	-	-	•
											S	-	-	•
											H	-	-	-

B



R=右手型-如图
R = right hand version shown

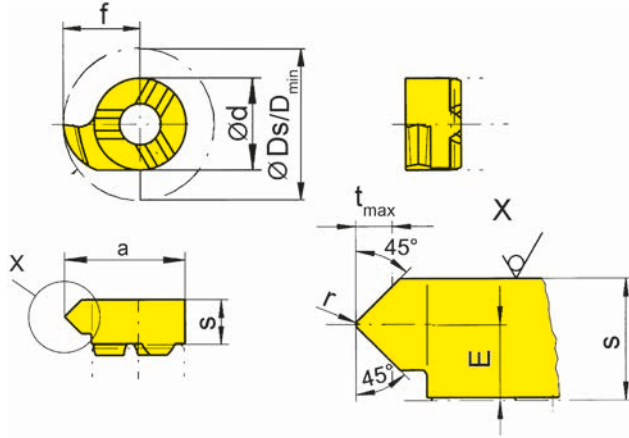
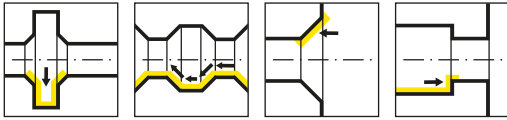
L=左手型
L = left hand version

硬质合金牌号
Carbide grades

▲ 库存
on stock

△ 4周
4 weeks

产品型号 Part number	w	s	f	Ds	a	r	d	t _{max}	D _{min}	Z	HIS	MG12	EG55	TH35	TI25	TN35
R108.0004.08	0.8	3.2	4.8	9.6	7.8	0.4	6	1	8	1	306060R	▲	▲	▲		▲
R108.0006.12	1.2	3.2	4.8	9.6	7.8	0.6	6	1	8	1	306060R	▲	▲	▲		▲
R108.0009.18	1.8	3.2	4.8	9.6	7.8	0.9	6	1	8	1	306060R	▲	▲	▲	▲	▲
L108.0004.08	0.8	3.2	4.8	9.6	7.8	0.4	6	1	8	1	306060L	△	▲	▲		▲
L108.0006.12	1.2	3.2	4.8	9.6	7.8	0.6	6	1	8	1	306060L	▲	▲	▲		▲
L108.0009.18	1.8	3.2	4.8	9.6	7.8	0.9	6	1	8	1	306060L	△		▲	△	▲
P	o	•	•	•	•	•	•	•	•	•						
M	-	o	•	•	•	•	•	•	•	•						
K	-	o	•	•	•	•	•	•	•	•						
N	-	-	•	•	•	•	•	•	•	•						
S	-	-	•	•	•	•	•	•	•	•						
H	-	-	-	-	-	-	-	-	-	-						



R=右手型-如图
R = right hand version shown

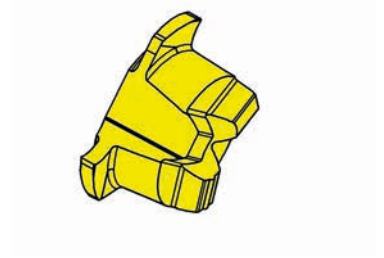
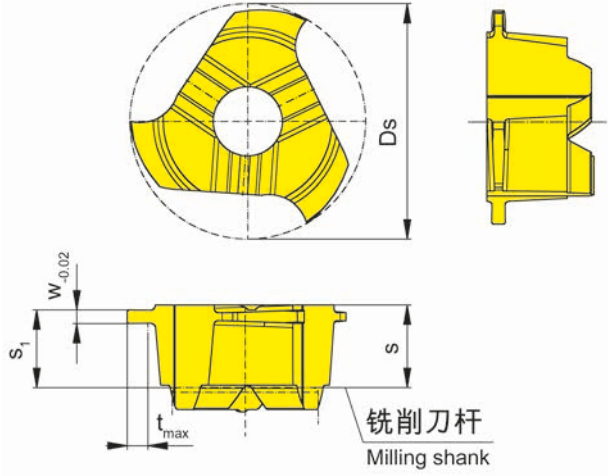
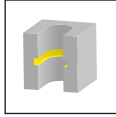
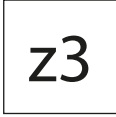
L=左手型
L = left hand version

▲ 库存
on stock

硬质合金牌号
Carbide grades
△ 4周
4 weeks

产品型号 Part number	E	f	Ds	r	d	s	a	D _{min}	α	t _{max}	Z	HIS	EG55	TA45	TI25	TN35
R108.4545.02	1.8	4.65	9.3	0.2	6	3.6	7.65	7.8	45°	1.4	1	306060R	▲	▲	▲	▲
L108.4545.02	1.8	4.65	9.3	0.2	6	3.6	7.65	7.8	45°	1.4	1	306060L	▲	△	△	▲
P	●	●	●	●	●	●	●	●	●	●	●	●	●	●	●	●
M	○	●	●	●	●	●	●	●	●	●	●	●	●	●	●	●
K	○	●	●	●	●	●	●	●	●	●	●	●	●	●	●	●
N	-	●	●	●	●	●	●	●	●	●	●	●	●	●	●	●
S	-	●	●	●	●	●	●	●	●	●	●	●	●	●	●	●
H	-	-	-	-	-	-	-	-	-	-	-	-	-	-	-	-

B



图示=右手型
Picture = right hand cutting version

硬质合金牌号
Carbide grades

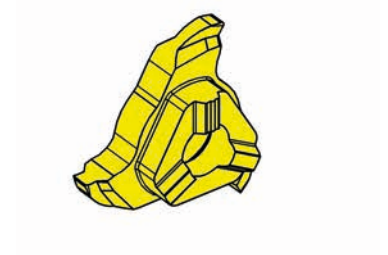
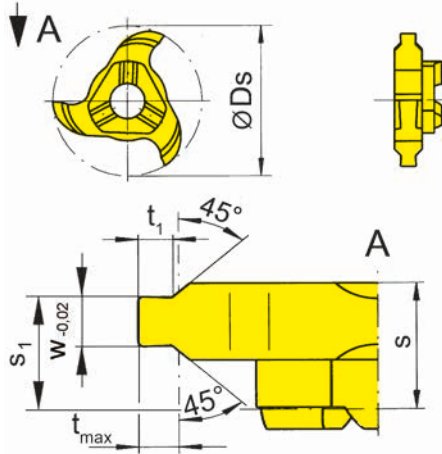
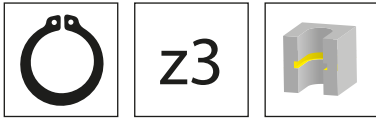
▲ 库存
on stock

△ 4周
4 weeks

产品型号 Part number	Ds	Nw	w	s	s ₁	t _{max}	Z	HIS	TA45
306.0050.10.00	9.7	0.5	0.57	3.4	3.2	0.85	3	306060R	▲
306.0070.10.00	9.7	0.7	0.77	3.4	3.2	1.15	3	306060R	▲

无法进行端面切削，切削深度受限
not face cutting, limited depth of cut

P	●
M	●
K	●
N	●
S	●
H	-



图示=右手型
Picture = right hand cutting version

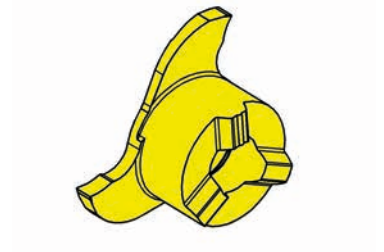
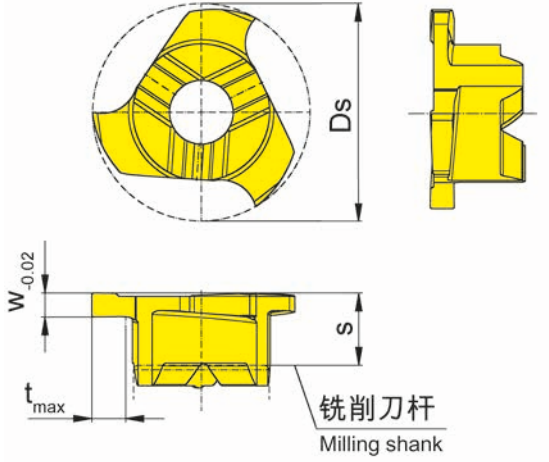
硬质合金牌号
Carbide grades

▲ 库存
on stock

△ 4周
4 weeks

产品型号 Part number	Ds	Nw	w	t_1	s	s_1	t_{max}	Z	HIS	AS45
306.1105.30	11.7	1.1	1.21	0.47	3.4	2.7	0.5	3	306060R	▲
306.1307.30	11.7	1.3	1.41	0.65	3.4	2.6	0.7	3	306060R	▲
										P ●
										M ●
										K ●
										N ○
										S ●
										H -

B



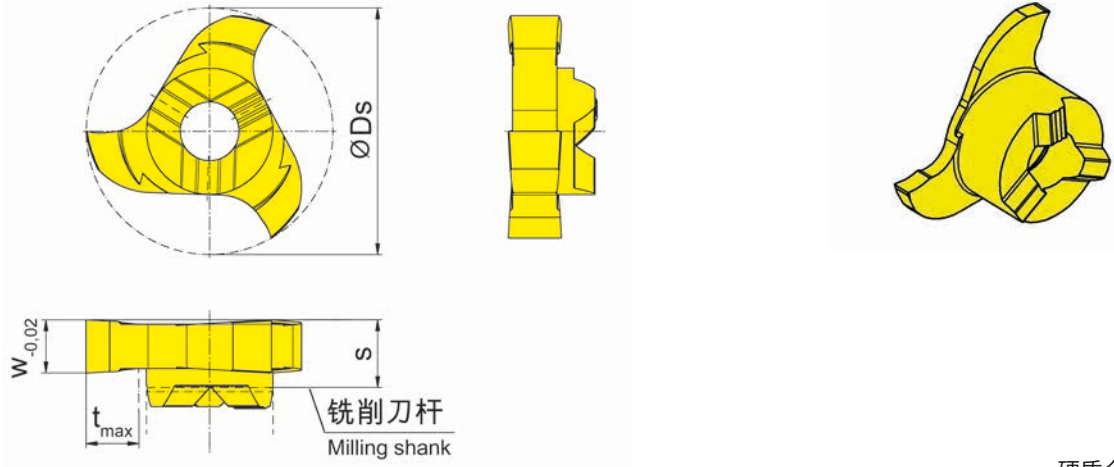
图示=右手型
Picture = right hand cutting version

硬质合金牌号
Carbide grades

▲ 库存
on stock

△ 4周
4 weeks

产品型号 Part number	Ds	Nw	w	s	t _{max}	Z	HIS	AS45	TA45
306.0080.10.00	9.7	0.8	0.87	3.2	1.5	3	306060R		▲
306.0090.10.00	9.7	0.9	0.97	3.2	1.5	3	306060R		▲
306.0100.10.00	9.7	1	1.07	3.2	1.5	3	306060R		▲
306.0110.10.00	9.7	1.1	1.21	3.2	1.5	3	306060R		▲
306.0130.10.00	9.7	1.3	1.41	3.2	1.5	3	306060R	▲	▲
306.0160.10.00	9.7	1.6	1.71	3.2	1.5	3	306060R	▲	▲
								P	● ●
								M	● ●
								K	● ●
								N	○ ●
								S	● ●
								H	- -



图示=右手型
Picture = right hand cutting version

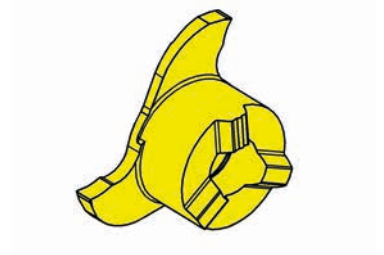
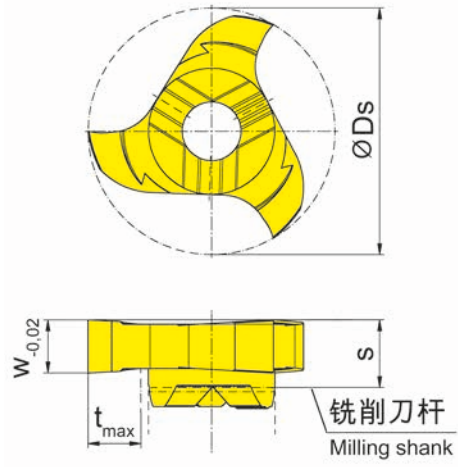
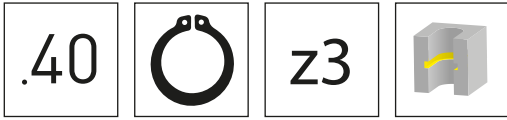
硬质合金牌号
Carbide grades

▲ 库存
on stock

△ 4周
4 weeks

产品型号 Part number	Ds	Nw	w	s	t _{max}	Z	HIS	MG12	TF45	TN35
306.0110.00	11.7	1.1	1.21	3.2	2.5	3	306060R	▲	▲	▲
306.0130.00	11.7	1.3	1.41	3.2	2.5	3	306060R	△	△	▲
306.0160.00	11.7	1.6	1.71	3.2	2.5	3	306060R	△	△	▲
								P	●	●
								M	-	●
								K	-	●
								N	-	●
								S	-	●
								H	-	-

B



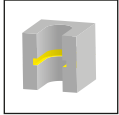
图示=右手型
Picture = right hand cutting version

硬质合金牌号
Carbide grades

▲ 库存
on stock

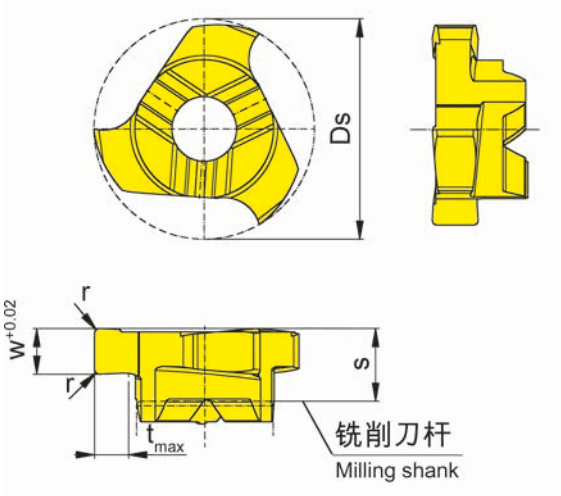
△ 4周
4 weeks

产品型号 Part number	Ds	Nw	w	s	t _{max}	Z	HIS	T125
306.0110.40	11.7	1.1	1.21	3.2	2.5	3	306060R	▲
306.0130.40	11.7	1.3	1.41	3.2	2.5	3	306060R	△
306.0160.40	11.7	1.6	1.71	3.2	2.5	3	306060R	▲
								P -
								M -
								K -
								N ●
								S -
								H -



Z3

B

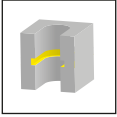


图示=右手型
Picture = right hand cutting version

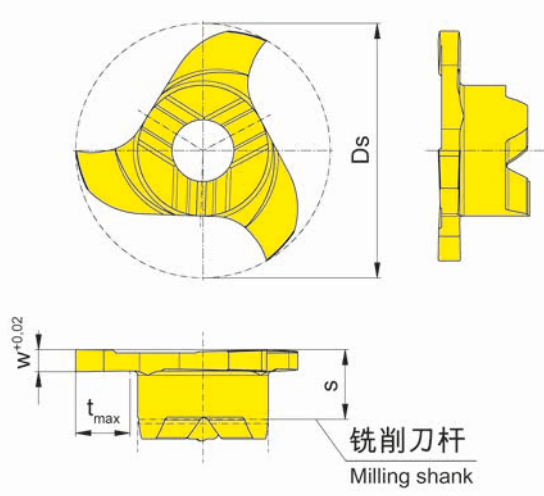
硬质合金牌号
Carbide grades
▲ 库存
on stock
△ 4周
4 weeks

产品型号 Part number	Ds	w	s	r	t _{max}	Z	HIS	AS45	TA45
306.0150.10.00	9.7	1.5	3.2	-	1.5	3	306060R	▲	▲
306.0200.10.00	9.7	2	3.2	0.2	1.5	3	306060R	▲	▲
								P ● ●	
								M ● ●	
								K ● ●	
								N ○ ●	
								S ● ●	
								H - -	

B



Z3



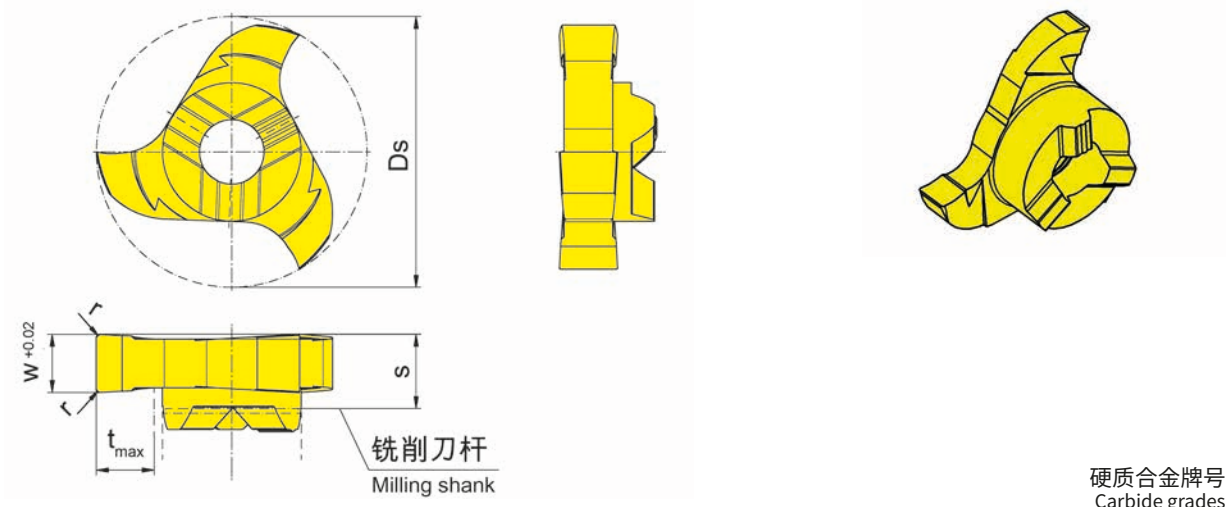
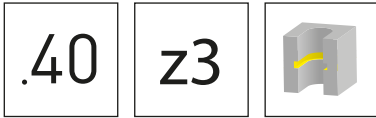
图示=右手型
Picture = right hand cutting version

硬质合金牌号
Carbide grades

▲ 库存
on stock

△ 4周
4 weeks

产品型号 Part number	Ds	w	s	r	t _{max}	Z	HIS	MG12	AS45	TF45	TN35
306.0100.1.00	11.7	1	3.2	-	2.5	3	306060R				▲
306.0150.00	11.7	1.5	3.2	-	2.5	3	306060R	▲	▲	▲	▲
306.0150.02	11.7	1.5	3.2	0.2	2.5	3	306060R		▲		
306.0200.00	11.7	2	3.2	0.2	2.5	3	306060R	▲	▲	▲	▲
306.0250.00	11.7	2.5	3.2	0.2	2.5	3	306060R	▲	▲	▲	▲
306.0300.00	11.7	3	4.2	0.2	2.5	3	306060R		▲		▲
								P	o	●	●
								M	-	●	●
								K	-	●	●
								N	-	o	●
								S	-	●	●
								H	-	-	-



图示=右手型
Picture = right hand cutting version

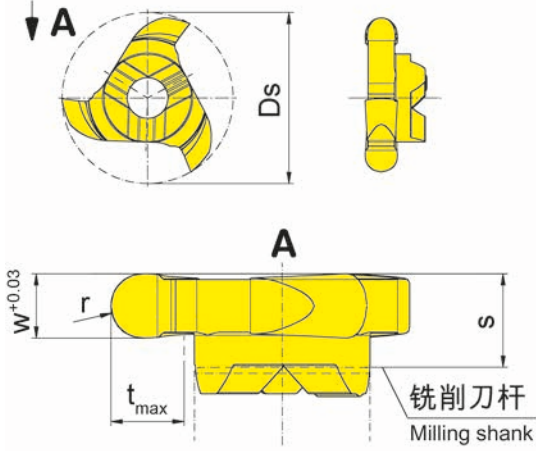
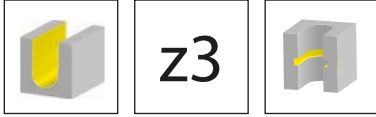
硬质合金牌号
Carbide grades

▲ 库存
on stock

△ 4周
4 weeks

产品型号 Part number	Ds	w	s	r	t _{max}	Z	HIS	T125
306.0150.40	11.7	1.5	3.2	-	2.5	3	306060R	▲
306.0200.40	11.7	2	3.2	0.2	2.5	3	306060R	▲
306.0250.40	11.7	2.5	3.2	0.2	2.5	3	306060R	▲
								P -
								M -
								K -
								N ●
								S -
								H -

B



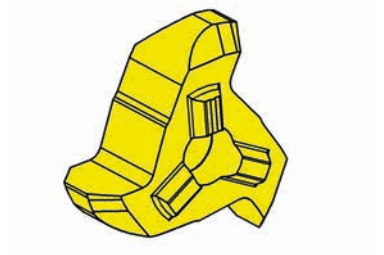
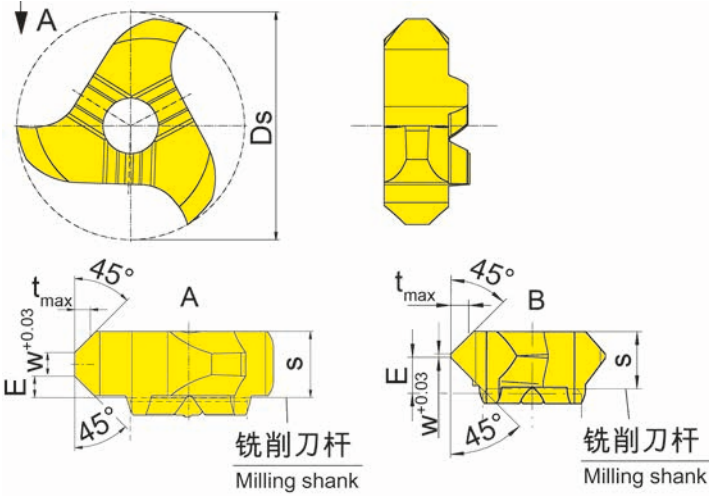
图示=右手型
Picture = right hand cutting version

硬质合金牌号
Carbide grades

▲ 库存
on stock

△ 4周
4 weeks

产品型号 Part number	Ds	w	s	r	t _{max}	Z	HIS	MG12	AN25	AS45	RC45	TF45	TI25	TN35
306.0005.10	11.7	1	3.2	0.5	2.5	3	306060R		▲		▲			
306.0007.15	11.7	1.5	3.2	0.75	2.5	3	306060R			▲				
306.0010.20	11.7	2	3.2	1	2.5	3	306060R			▲				
306.0011.22	11.7	2.2	3.2	1.1	2.5	3	306060R	△		▲		△	▲	▲
306.0015.30	11.7	3	4.2	1.5	2.5	3	306060R			▲				
P	○	●	●	●	●	●	●	●	●	●	●	●	●	●
M	-	○	●	●	●	●	●	●	●	●	●	●	●	●
K	-	-	●	●	●	●	●	●	●	●	●	●	●	●
N	-	-	○	-	●	●	●	●	●	●	●	●	●	●
S	-	-	●	-	●	●	●	●	●	●	●	●	●	●
H	-	-	-	-	-	-	-	-	-	-	-	-	-	-



图示=右手型
Picture = right hand cutting version

硬质合金牌号
Carbide grades

▲ 库存
on stock

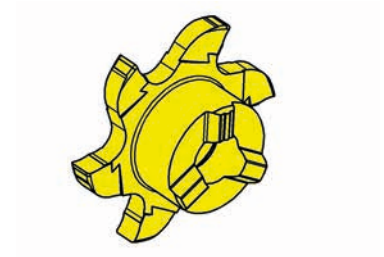
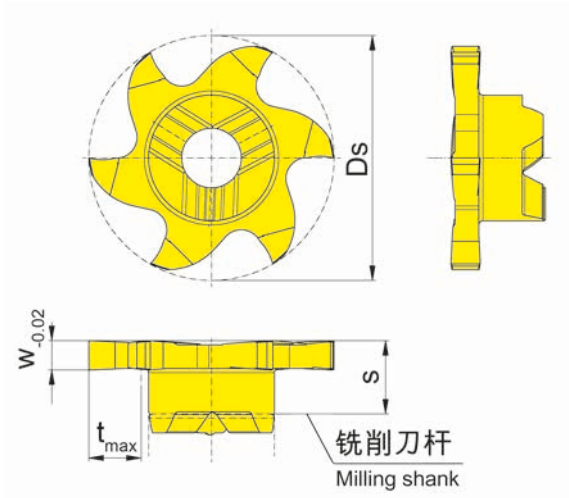
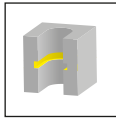
△ 4周
4 weeks

产品型号 Part number	Ds	E	s	w	形式 Form	t _{max}	Z	HIS	MG12	TF45	TI25	TN35
306.4545.00	11.7	1.1	3.4	1.2	A	0.8	3	306060R	▲	▲	▲	▲
306.4593.20	9.3	1.6	3.4	0.2	B	1.4	3	306060R			▲	
									P	o	●	●
									M	-	●	●
									K	-	●	●
									N	-	●	●
									S	-	●	●
									H	-	-	-

B



z6



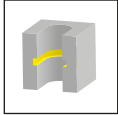
图示=右手型
Picture = right hand cutting version

硬质合金牌号
Carbide grades

▲ 库存
on stock

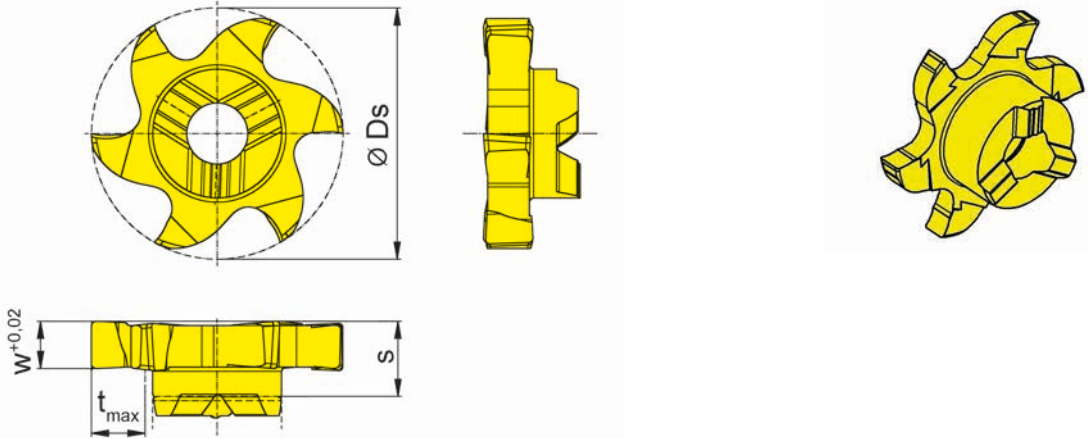
△ 4周
4 weeks

产品型号 Part number	Ds	Nw	w	s	t _{max}	Z	HIS	AS45	TA45
606.0110.00	11.7	1.1	1.21	3.5	2.5	6	306060R	▲	▲
606.0130.00	11.7	1.3	1.41	3.5	2.5	6	306060R	▲	▲
606.0160.00	11.7	1.6	1.71	3.5	2.5	6	306060R	▲	▲
								P	●
								M	●
								K	●
								N	○
								S	●
								H	-



z6

B



图示=右手型
Picture = right hand cutting version

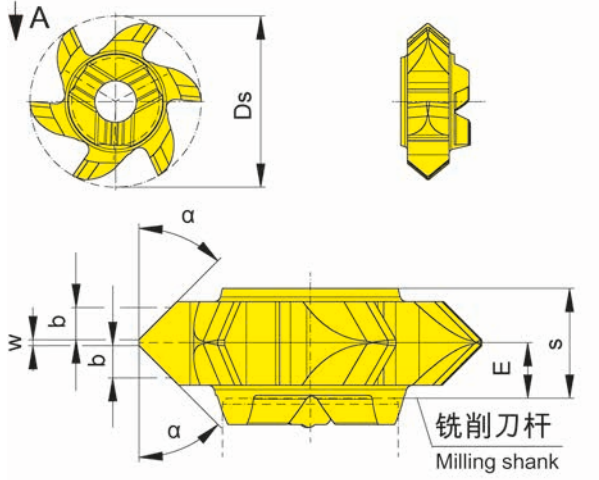
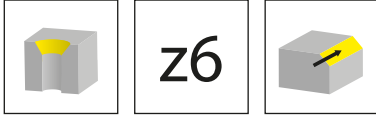
硬质合金牌号
Carbide grades

▲ 库存
on stock

△ 4周
4 weeks

产品型号 Part number	Ds	w	s	t _{max}	Z	HIS	AS45	EG35	IG35	TA45
606.0025.00	11.7	0.25	3.5	2.5	6	306060R		▲	△	
606.0030.00	11.7	0.3	3.5	2.5	6	306060R		▲	△	
606.0040.00	11.7	0.4	3.5	2.5	6	306060R		▲	△	
606.0050.00	11.7	0.5	3.5	2.5	6	306060R		▲	△	
606.0060.00	11.7	0.6	3.5	2.5	6	306060R		▲	△	
606.0070.00	11.7	0.7	3.5	2.5	6	306060R		▲	△	
606.0080.00	11.7	0.8	3.5	2.5	6	306060R		▲	△	
606.0090.00	11.7	0.9	3.5	2.5	6	306060R		▲	△	
606.0100.00	11.7	1	3.5	2.5	6	306060R		▲	△	
606.0150.00	11.7	1.5	3.5	2.5	6	306060R	▲			▲
606.0200.00	11.7	2	3.5	2.5	6	306060R	▲			▲
606.0250.00	11.7	2.5	3.5	2.5	6	306060R	▲			▲
P	●	●	-	●						
M	●	●	●	●						
K	●	○	-	●						
N	○	-	-	●						
S	●	-	●	●						
H	-	-	-	-						

B



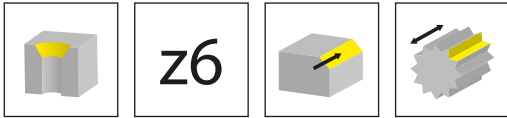
图示=右手型
Picture = right hand cutting version

硬质合金牌号
Carbide grades

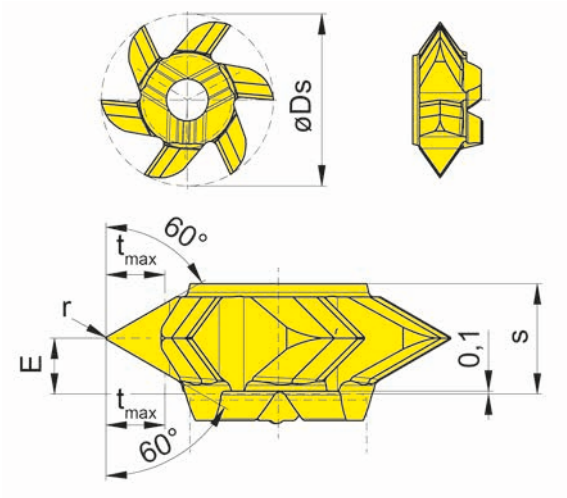
▲ 库存
on stock

△ 4周
4 weeks

产品型号 Part number	Ds	E	s	w	α	b	Z	HIS	TA45
606.1515.20	11.7	1.9	3.7	0.2	15°	1.5	6	306060R	△
606.2020.20	11.7	1.9	3.7	0.2	20°	1.5	6	306060R	▲
606.3030.20	11.7	1.9	3.7	0.2	30°	1.5	6	306060R	▲
606.4545.20	11.7	1.9	3.7	0.2	45°	1.1	6	306060R	▲
									P ●
									M ●
									K ●
									N ●
									S ●
									H -



B



图示=右手型
Picture = right hand cutting version

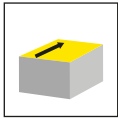
硬质合金牌号
Carbide grades

▲ 库存
on stock

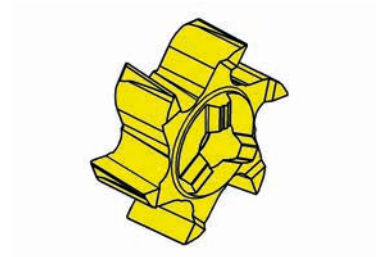
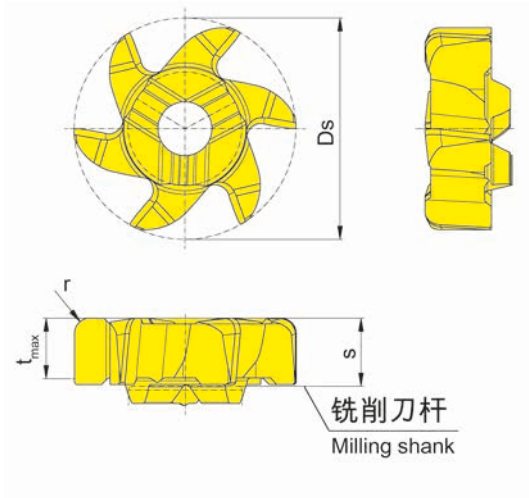
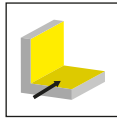
△ 4周
4 weeks

产品型号 Part number	Ds	E	s	t_{max}	Z	HIS	AS45
606.6060.05	11.7	1.9	3.75	2	6	306060R	▲
							P ●
							M ●
							K ●
							N ○
							S ●
							H -

B



z6



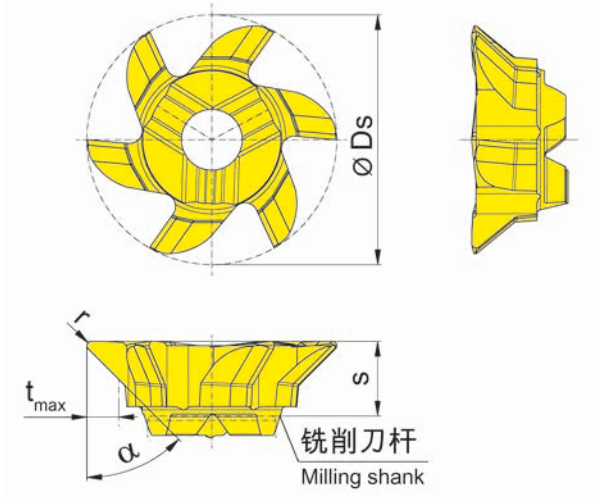
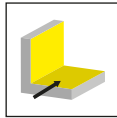
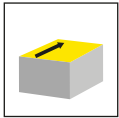
图示=右手型
Picture = right hand cutting version

硬质合金牌号
Carbide grades

▲ 库存
on stock

△ 4周
4 weeks

产品型号 Part number	Ds	Z	r	t _{max}	s	HIS	AS45	TI25
606.PLT6.08	11.7	6	0.8	3.2	3.6	306060R	▲	▲
							P ●	●
							M ●	●
							K ●	●
							N ○	●
							S ●	●
							H -	-



图示=右手型
Picture = right hand cutting version

硬质合金牌号
Carbide grades
▲ 库存 on stock
△ 4周 4 weeks

产品型号 Part number	Ds	Z	r	α	t_{max}	s	HIS	AS45
606.0015.22	11.7	6	0.2	15°	0.7	3.5	306060R	▲
606.0030.22	11.7	6	0.2	30°	1.4	3.5	306060R	▲
606.0045.22	11.7	6	0.2	45°	1.5	3.5	306060R	▲
								P ●
								M ●
								K ●
								N ○
								S ●
								H -

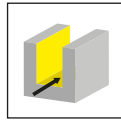
槽铣削 (圆弧插补铣削)

Groove Milling by circular interpolation

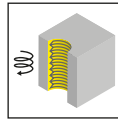


B

铣刀杆
Milling shank
M308/M308.ST/
M308.ER



页/Page
68, 70-71

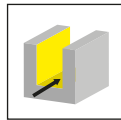


页/Page
69

常规刀柄
Basic Holder
WFB

页/Page
72

螺纹锁紧铣刀
Screw-in cutter
M308.M

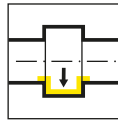


页/Page
73

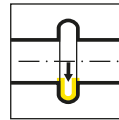
刀片
Insert
111/308/608



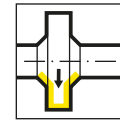
页/Page
74-75, 79-80



页/Page
76



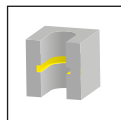
页/Page
77



页/Page
78



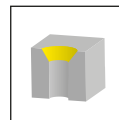
页/Page
81, 83



页/Page
82, 86



页/Page
84



页/Page
85, 87

M308



铣刀杆

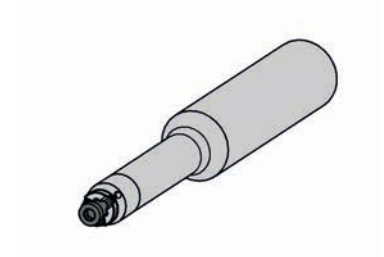
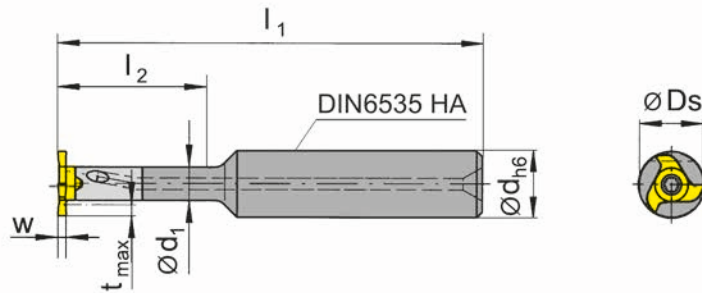
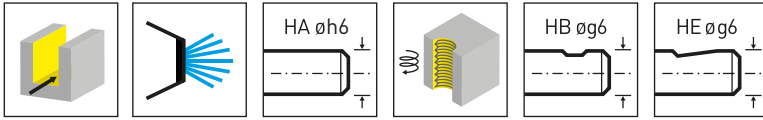
带可转位刀片

孔径自Ø 13.7 mm

Milling shank with
exchangeable insert

from bore Ø 13,7 mm

B

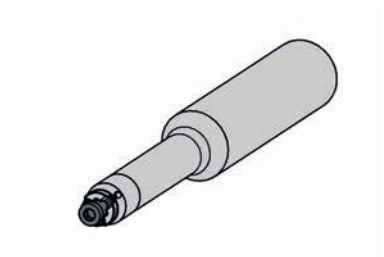
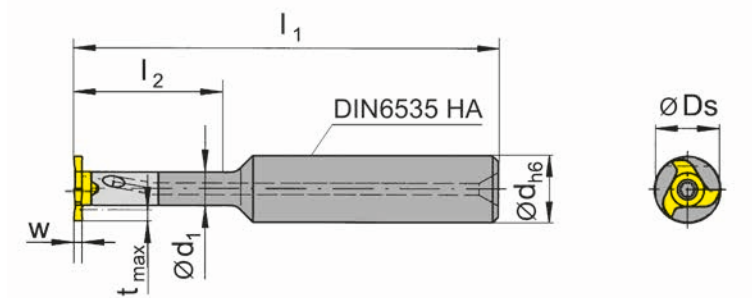
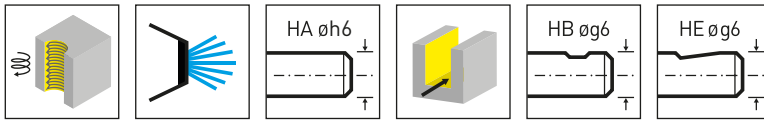


产品型号 Part number	d	l ₁	l ₂	d ₁	形式 Form	HWS
M308.0012.01A	12	95	29	8	A	308080R • 308080L
M308.0012.02A	12	110	42	8	A	308080R • 308080L
M308.0012.03A	12	120	56	8	A	308080R • 308080L
M308.0012.07A	12	160	-	8	A	308080R • 308080L
M308.0012.01B	12	95	29	8	B	308080R • 308080L
M308.0012.02B	12	110	42	8	B	308080R • 308080L
M308.0012.03B	12	120	56	8	B	308080R • 308080L
M308.0012.01E	12	95	29	8	E	308080R • 308080L
M308.0012.02E	12	110	42	8	E	308080R • 308080L
M308.0012.03E	12	120	56	8	E	308080R • 308080L

w, Ds, tmax 见刀片
w, Ds, tmax see inserts

配件
Spare Parts

铣刀杆 Milling shank	锁紧螺钉 Clamping Screw	TORX PLUS® 扳手 TORX PLUS® Wrench
M308...	3.5.12T10EP	T10PL



产品型号 Part number	d	l ₁	l ₂	d ₁	形式 Form	HWS
M308.1012.02A	12	110	42	9.5	A	308080R • 308080L
M308.1016.01A	16	110	33	9.5	A	308080R • 308080L
M308.1016.02A	16	110	45	9.5	A	308080R • 308080L
M308.1016.03A	16	130	64	9.5	A	308080R • 308080L
M308.1012.02B	12	110	42	9.5	B	308080R • 308080L
M308.1016.01B	16	110	33	9.5	B	308080R • 308080L
M308.1016.02B	16	110	45	9.5	B	308080R • 308080L
M308.1016.03B	16	130	64	9.5	B	308080R • 308080L
M308.1012.02E	12	110	42	9.5	E	308080R • 308080L
M308.1016.01E	16	110	33	9.5	E	308080R • 308080L
M308.1016.02E	16	110	45	9.5	E	308080R • 308080L
M308.1016.03E	16	130	64	9.5	E	308080R • 308080L

w, Ds, tmax 见刀片
w, Ds, tmax see inserts

配件
Spare Parts

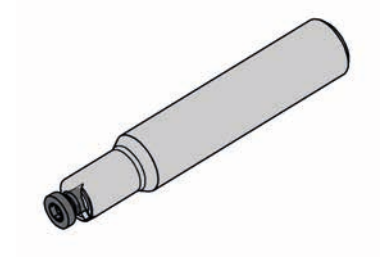
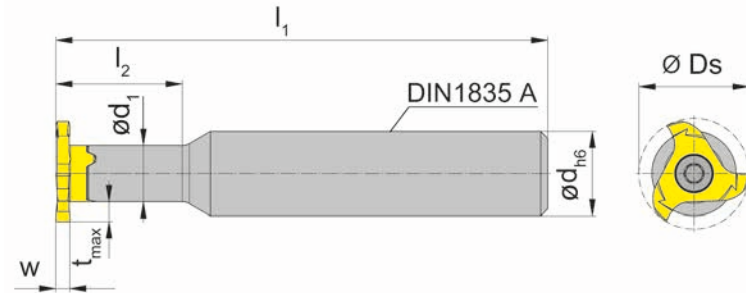
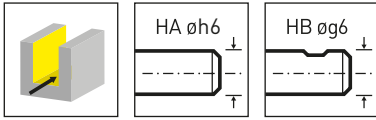
铣刀杆 Milling shank	锁紧螺钉 Clamping Screw	TORX PLUS® 扳手 TORX PLUS® Wrench
M308...	3.5.12T10EP	T10PL

铣刀杆 Milling shank

M308.ST



B

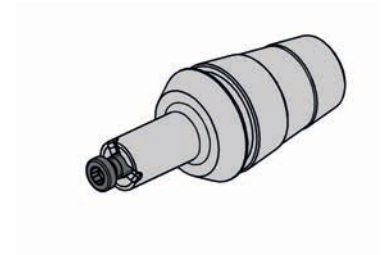
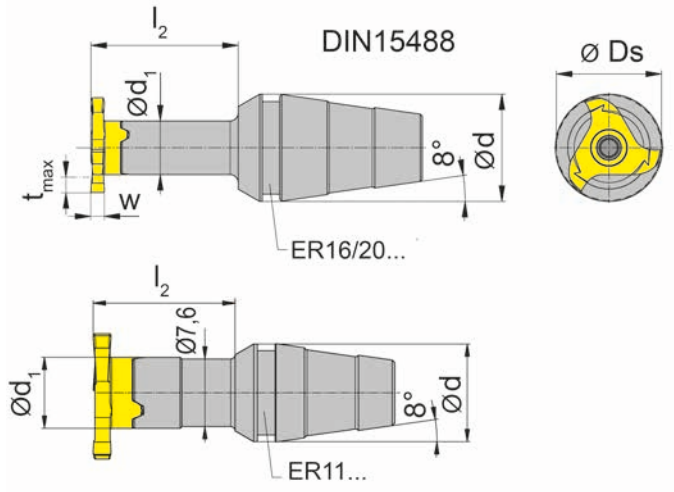
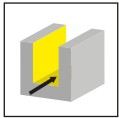


产品型号 Part number	d	l ₁	l ₂	d ₁	形式 Form	HWS
M308.ST10.01A	10	60	18	8	A	308080R • 308080L
M308.ST12.01A	12	70	18	8	A	308080R • 308080L
M308.ST13.01A	13	70	26	8	A	308080R • 308080L
M308.ST10.01B	10	60	18	8	B	308080R • 308080L
M308.ST12.01B	12	70	18	8	B	308080R • 308080L

w, Ds, tmax 见刀片
w, Ds, tmax see inserts

配件 Spare Parts

铣刀杆 Milling shank	锁紧螺钉 Clamping Screw	TORX PLUS® 扳手 TORX PLUS® Wrench
M308...	3.5.12T10EP	T10PL



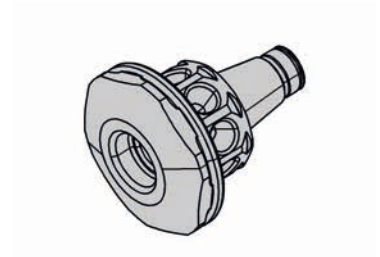
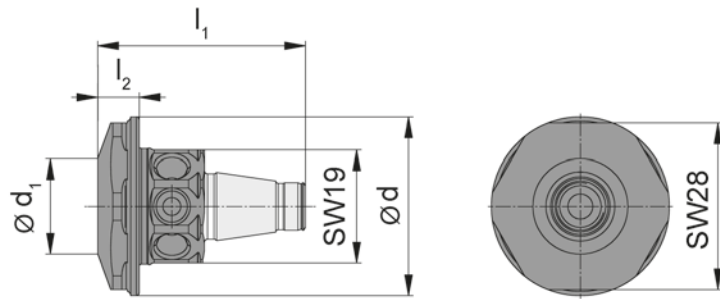
产品型号 Part number	d	l ₂	d ₁	锁紧螺母 Clamping nut	HWS
M308.ER11.02	11	16	8	ER11.6499	308080R • 308080L
M308.ER16.02	16	22	8	ER16.6499/ERM16.6499	308080R • 308080L
M308.ER20.02	20	22	8	ER20.6499/ERM20.6499	308080R • 308080L

w, Ds, tmax 见刀片
w, Ds, tmax see inserts

铣刀杆不包含夹紧螺母-需要单独订购!
Clamping nut is not combined with milling shank - separate order required!

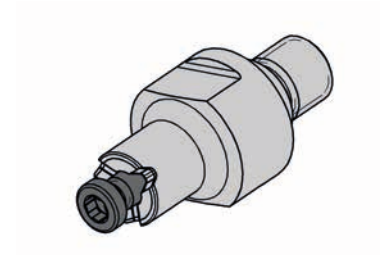
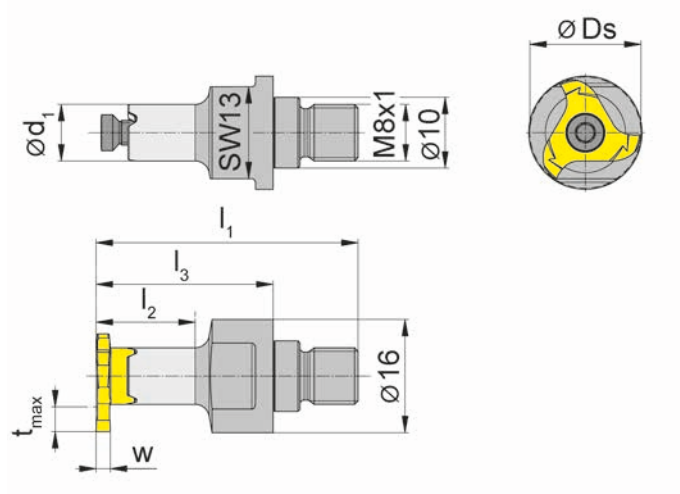
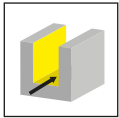
配件
Spare Parts

铣刀杆 Milling shank	锁紧螺钉 Clamping Screw	TORX PLUS® 扳手 TORX PLUS® Wrench
M308...	3.5.12T10EP	T10PL



产品型号 Part number	l_1	l_2	d_1	d
WFB.2012.M081.01	35	7	16	30

配合螺纹锁紧型铣刀
for Screw-in cutter



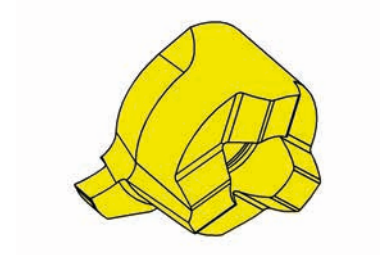
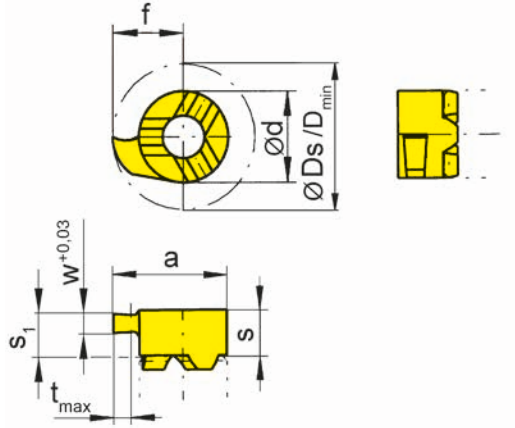
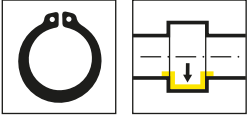
产品型号 Part number	l_1	l_2	l_3	d_1	SW	HWS	HMS
M308.M081.01	37	14	25	8	13	308080R • 308080L	8201

w, D_s, t_{max}见刀片
w, D_s, t_{max} see inserts

配件
Spare Parts

螺纹锁紧铣刀 Screw-in cutter	锁紧螺钉 Clamping Screw	TORX PLUS®扳手 TORX PLUS® Wrench
M308.M081.01	3.5.12T10EP	T10PL

B



R=右手型-如图
R = right hand version shown

L=左手型
L = left hand version

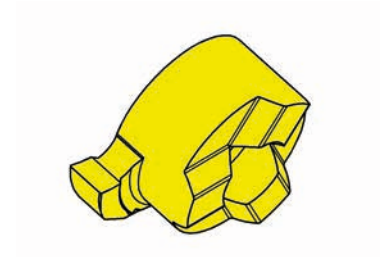
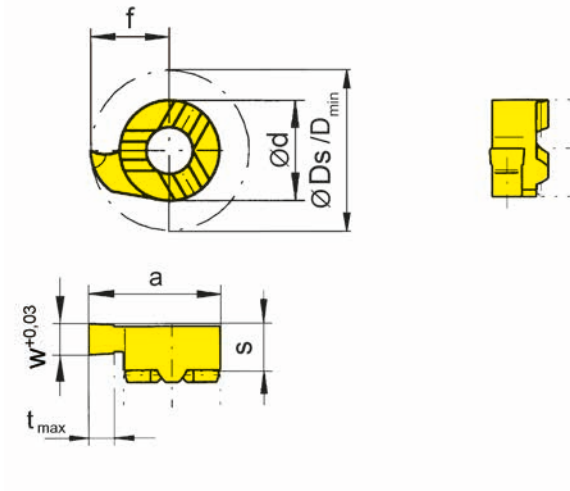
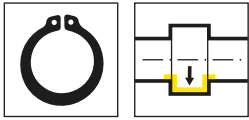
▲ 库存
on stock

硬质合金牌号
Carbide grades
△ 4周
4 weeks

产品型号 Part number	w	Nw	f	Ds	d	s	s ₁	a	t _{max}	D _{min}	Z	HIS	MG12	EG55	TH35	TN35
R111.0070.00	0.74	0.7	6.7	13.4	8	4.15	3.95	10.7	1.2	11	1	308080R		▲	▲	▲
R111.0080.00	0.84	0.8	6.7	13.4	8	4.15	3.95	10.7	1.3	11	1	308080R		▲	▲	▲
R111.0090.00	0.94	0.9	6.7	13.4	8	4.15	3.95	10.7	1.5	11	1	308080R	▲	▲	▲	▲
L111.0070.00	0.74	0.7	6.7	13.4	8	4.15	3.95	10.7	1.2	11	1	308080L			△	▲
L111.0080.00	0.84	0.8	6.7	13.4	8	4.15	3.95	10.7	1.3	11	1	308080L			△	▲
L111.0090.00	0.94	0.9	6.7	13.4	8	4.15	3.95	10.7	1.5	11	1	308080L	▲		▲	▲

无法进行端面切削，切削深度受限
not face cutting, limited depth of cut

P	o	●	●	●
M	-	o	●	●
K	-	o	●	●
N	-	-	●	●
S	-	-	●	●
H	-	-	-	-



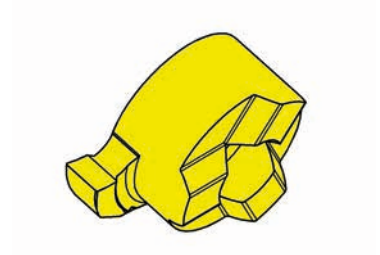
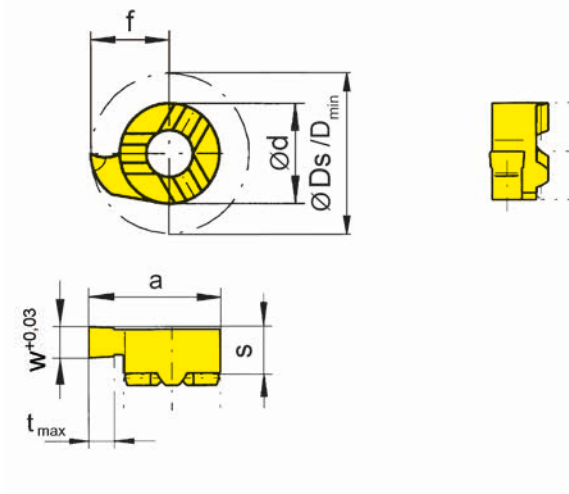
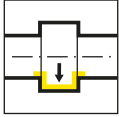
R=右手型-如图
R = right hand version shown

L=左手型
L = left hand version

硬质合金牌号
Carbide grades
▲ 库存
on stock
△ 4周
4 weeks

产品型号 Part number	w	Nw	s	f	Ds	d	a	t _{max}	D _{min}	Z	HIS	MG12	EG55	TH35	TN35
R111.0110.00	1.19	1.1	3.95	6.7	13.4	8	10.7	2.3	11	1	308080R	▲	▲	▲	▲
R111.0130.00	1.39	1.3	3.95	6.7	13.4	8	10.7	2.3	11	1	308080R	▲	▲	▲	▲
R111.0160.00	1.69	1.6	3.95	6.7	13.4	8	10.7	2.3	11	1	308080R	▲	▲	▲	▲
L111.0110.00	1.19	1.1	3.95	6.7	13.4	8	10.7	2.3	11	1	308080L	▲	▲	▲	▲
L111.0130.00	1.39	1.3	3.95	6.7	13.4	8	10.7	2.3	11	1	308080L	△	△	▲	▲
L111.0160.00	1.69	1.6	3.95	6.7	13.4	8	10.7	2.3	11	1	308080L	△	▲	▲	▲
												P	o	•	•
												M	-	o	•
												K	-	o	•
												N	-	-	•
												S	-	-	•
												H	-	-	-

B



R=右手型-如图
R = right hand version shown

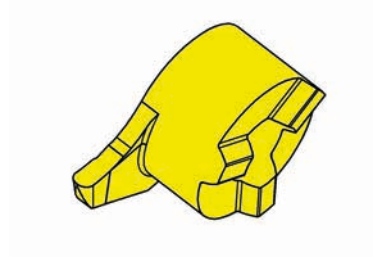
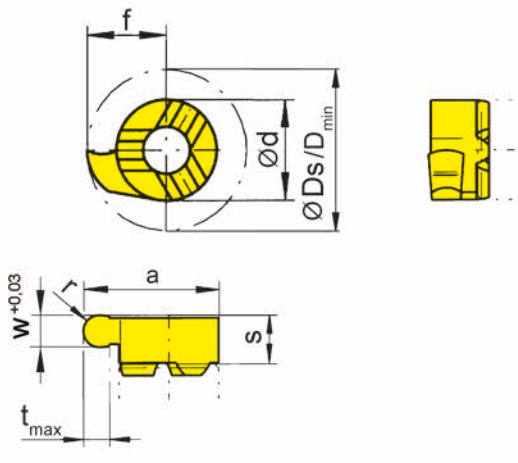
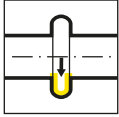
L=左手型
L = left hand version

▲ 库存
on stock

△ 4周
4 weeks

硬质合金牌号
Carbide grades

产品型号 Part number	w	s	f	Ds	d	a	t _{max}	D _{min}	Z	HIS	MG12	EG55	TH35	TN35
R111.0150.00	1.5	3.95	6.7	13.4	8	10.7	2.3	11	1	308080R	▲	▲	▲	▲
R111.0200.00	2	3.95	6.7	13.4	8	10.7	2.3	11	1	308080R	▲	▲	▲	▲
R111.0250.00	2.5	3.95	6.7	13.4	8	10.7	2.3	11	1	308080R	▲	▲	▲	▲
R111.0300.00	3	3.95	6.7	13.4	8	10.7	2.3	11	1	308080R	▲	▲	▲	▲
L111.0150.00	1.5	3.95	6.7	13.4	8	10.7	2.3	11	1	308080L	▲	▲	▲	▲
L111.0200.00	2	3.95	6.7	13.4	8	10.7	2.3	11	1	308080L	▲	▲	▲	▲
L111.0250.00	2.5	3.95	6.7	13.4	8	10.7	2.3	11	1	308080L	▲	▲	▲	▲
L111.0300.00	3	3.95	6.7	13.4	8	10.7	2.3	11	1	308080L	▲	▲	▲	▲
P	o	•	•	•										
M	-	o	•	•										
K	-	o	•	•										
N	-	-	•	•										
S	-	-	•	•										
H	-	-	-	-										



R=右手型-如图
R = right hand version shown

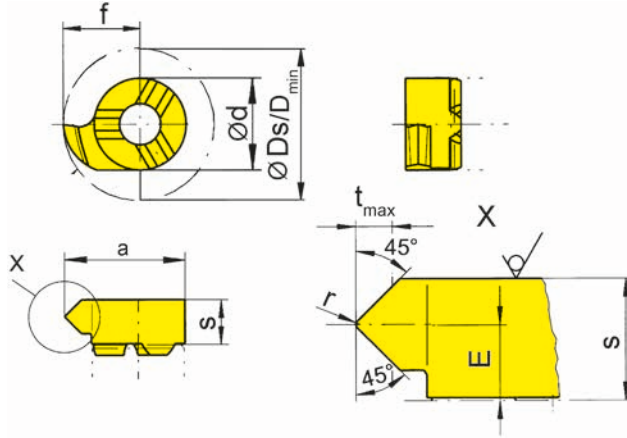
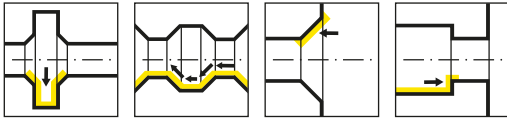
L=左手型
L = left hand version

▲ 库存
on stock

硬质合金牌号
Carbide grades
△ 4周
4 weeks

产品型号 Part number	w	f	Ds	r	d	s	a	t _{max}	D _{min}	Z	HIS	MG12	EG55	TH35	TN35
R111.0004.08	0.8	6.7	13.4	0.4	8	3.95	10.7	2.3	11	1	308080R		▲	▲	▲
R111.0006.12	1.2	6.7	13.4	0.6	8	3.95	10.7	2.3	11	1	308080R	▲	▲	▲	▲
R111.0009.18	1.8	6.7	13.4	0.9	8	3.95	10.7	2.3	11	1	308080R	▲	▲	▲	▲
R111.0010.20	2	6.7	13.4	1	8	3.95	10.7	2.3	11	1	308080R	▲	▲	▲	▲
R111.0015.30	3	6.7	13.4	1.5	8	3.95	10.7	2.3	11	1	308080R	▲	▲	▲	▲
L111.0004.08	0.8	6.7	13.4	0.4	8	3.95	10.7	2.3	11	1	308080L		▲	▲	▲
L111.0006.12	1.2	6.7	13.4	0.6	8	3.95	10.7	2.3	11	1	308080L	△	▲	▲	▲
L111.0009.18	1.8	6.7	13.4	0.9	8	3.95	10.7	2.3	11	1	308080L	△	▲	▲	▲
L111.0010.20	2	6.7	13.4	1	8	3.95	10.7	2.3	11	1	308080L	▲	▲	▲	▲
L111.0015.30	3	6.7	13.4	1.5	8	3.95	10.7	2.3	11	1	308080L	△	▲	▲	▲
P	o	●	●	●											
M	-	o	●	●											
K	-	o	●	●											
N	-	-	●	●											
S	-	-	●	●											
H	-	-	-	-											

B



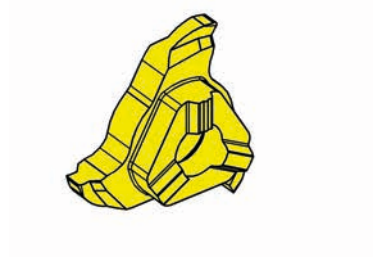
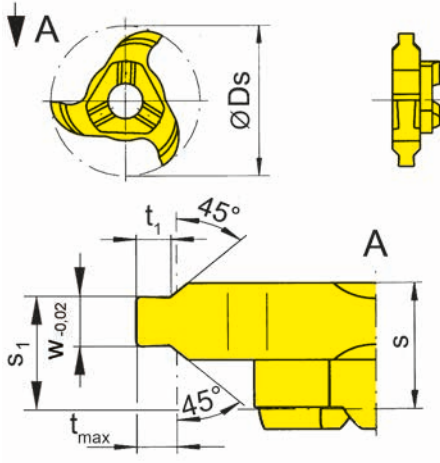
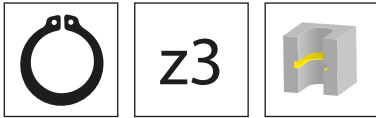
R=右手型-如图
R = right hand version shown

L=左手型
L = left hand version

▲ 库存
on stock

硬质合金牌号
Carbide grades
△ 4周
4 weeks

产品型号 Part number	E	f	Ds	r	d	s	a	t _{max}	D _{min}	Z	HIS	EG55	TN35
R111.4545.02	2.4	6.7	13.4	0.2	8	4.15	10.7	1.5	11	1	308080R	▲	▲
L111.4545.02	2.4	6.7	13.4	0.2	8	4.15	10.7	1.5	11	1	308080L	▲	▲
												P	●
												M	○
												K	○
												N	-
												S	-
												H	-



图示=右手型
Picture = right hand cutting version

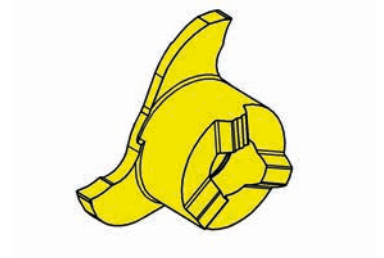
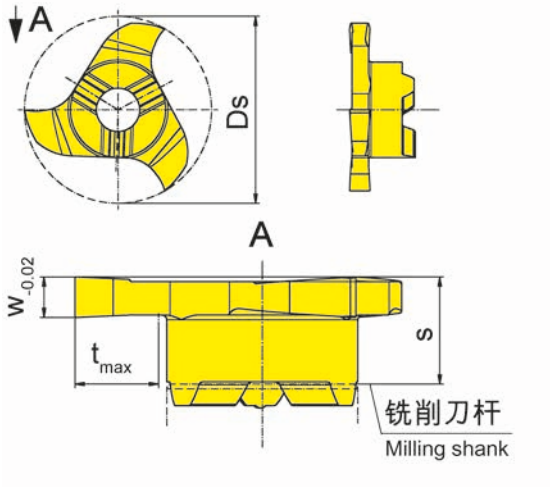
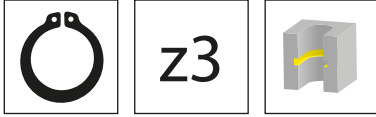
硬质合金牌号
Carbide grades

▲ 库存
on stock

△ 4周
4 weeks

产品型号 Part number	Ds	Nw	w	t_1	s	s_1	t_{max}	Z	HIS	AS45
308.1105.30	15.7	1.1	1.21	0.47	4.7	3.6	0.5	3	308080R	▲
308.1307.30	15.7	1.3	1.41	0.65	4.7	3.5	0.7	3	308080R	▲
										P ●
										M ●
										K ●
										N ○
										S ●
										H -

B



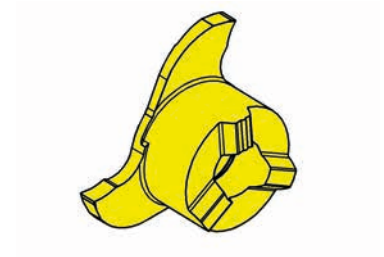
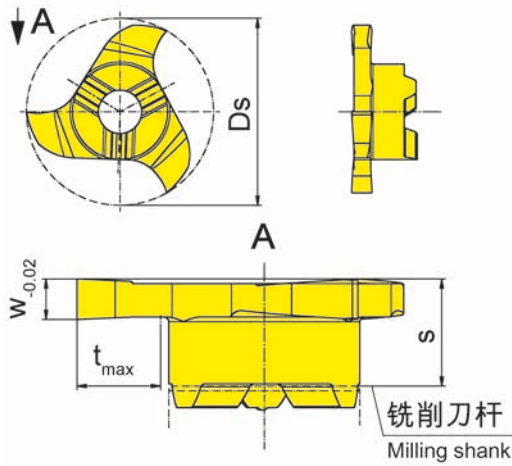
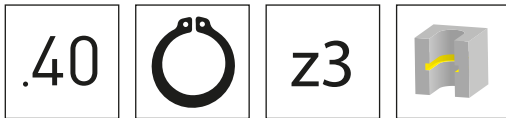
图示=右手型
Picture = right hand cutting version

硬质合金牌号
Carbide grades

▲ 库存
on stock

△ 4周
4 weeks

产品型号 Part number	Ds	Nw	w	s	t _{max}	Z	HIS	AS45	TF45	TN35
308.0110.00	15.7	1.1	1.21	4.5	3.5	3	308080R		▲	▲
308.0130.00	15.7	1.3	1.41	4.5	3.5	3	308080R	△	△	▲
308.0160.00	15.7	1.6	1.71	4.5	3.5	3	308080R	△	△	▲
								P	●	●
								M	●	●
								K	●	●
								N	○	●
								S	●	●
								H	-	-



图示=右手型
Picture = right hand cutting version

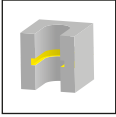
硬质合金牌号
Carbide grades

▲ 库存
on stock

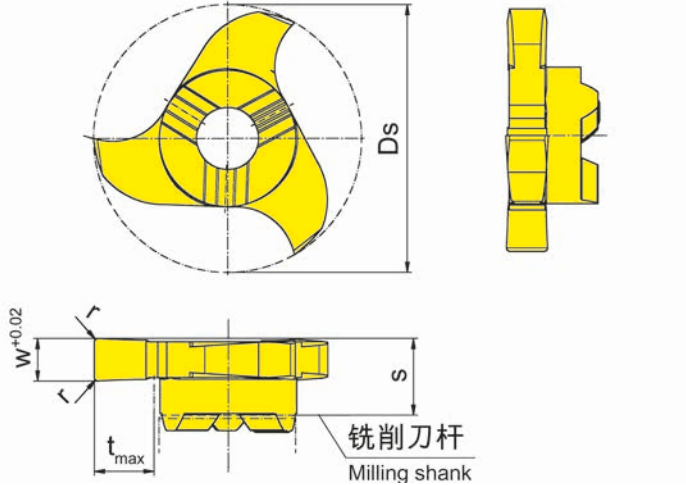
△ 4周
4 weeks

产品型号 Part number	Ds	Nw	w	s	t _{max}	Z	HIS	T125
308.0110.40	15.7	1.1	1.21	4.5	3.5	3	308080R	▲
308.0130.40	15.7	1.3	1.41	4.5	3.5	3	308080R	▲
308.0160.40	15.7	1.6	1.71	4.5	3.5	3	308080R	▲
								P -
								M -
								K -
								N ●
								S -
								H -

B



z3



图示=右手型
Picture = right hand cutting version

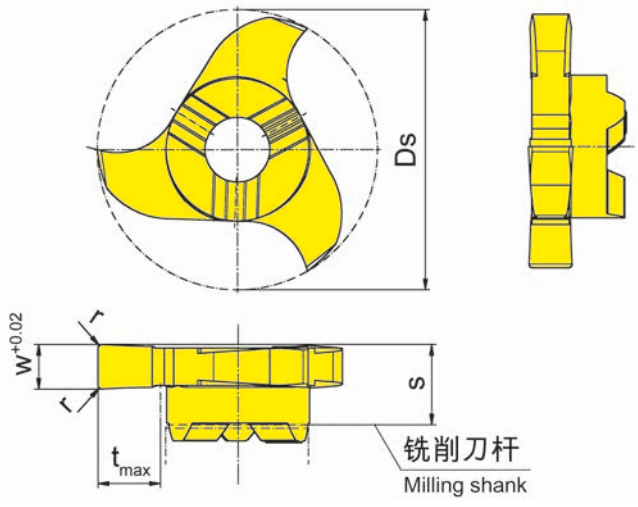
硬质合金牌号
Carbide grades

▲ 库存
on stock

△ 4周
4 weeks

产品型号 Part number	Ds	w	s	r	t _{max}	Z	HIS	MG12	AS45	TF45	TN35
308.0150.00	15.7	1.5	4.5	-	3.5	3	308080R	▲	▲	▲	▲
308.0200.00	15.7	2	4.5	0.2	3.5	3	308080R	△	▲	△	▲
308.0250.00	15.7	2.5	4.5	0.2	3.5	3	308080R	▲	▲	▲	▲
								P	o	●	●
								M	-	●	●
								K	-	●	●
								N	-	o	●
								S	-	●	●
								H	-	-	-

可以提供浅切深的槽宽0.5mm以下的刀片。
Inserts for widths of groove t_{max} down to 0,5 mm can be delivered with reduced depth upon request.



图示=右手型
Picture = right hand cutting version

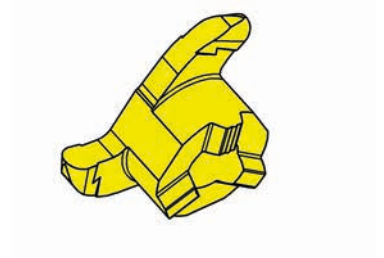
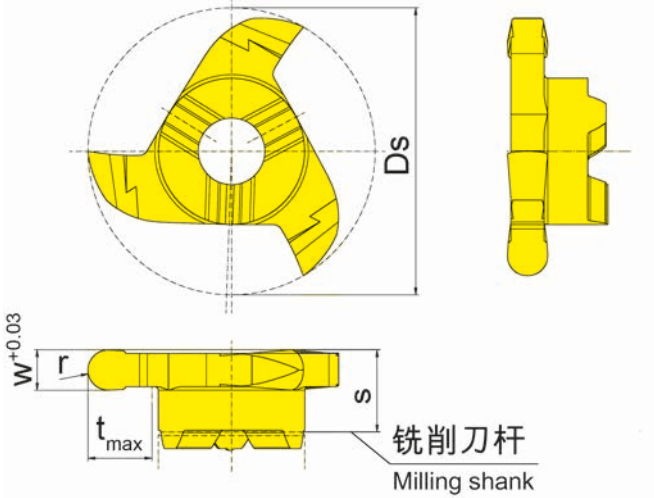
硬质合金牌号
Carbide grades
▲ 库存 on stock
△ 4周 4 weeks

产品型号 Part number	Ds	w	s	r	t _{max}	Z	HIS	T125
308.0150.40	15.7	1.5	4.5	-	3.5	3	308080R	▲
308.0200.40	15.7	2	4.5	0.2	3.5	3	308080R	▲
308.0250.40	15.7	2.5	4.5	0.2	3.5	3	308080R	▲

可以提供浅切深的槽宽0.5mm以下的刀片。
Inserts for widths of groove t_{max} down to 0,5 mm can be delivered with reduced depth upon request.

P	-
M	-
K	-
N	●
S	-
H	-

B



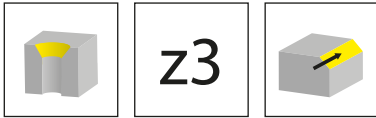
图示=右手型
Picture = right hand cutting version

硬质合金牌号
Carbide grades

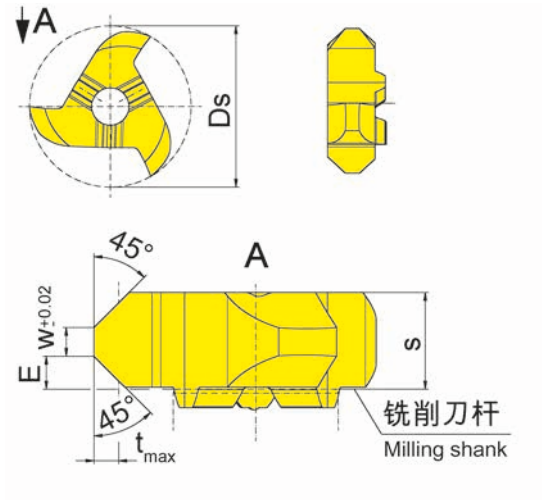
▲ 库存
on stock

△ 4周
4 weeks

产品型号 Part number	Ds	w	s	r	t _{max}	Z	HIS	MG12	AN25	AS45	RC45	TF45	TI25	TN35
308.0005.10	15.7	1	4.5	0.5	3.5	3	308080R		▲		▲			
308.0007.15	15.7	1.5	4.5	0.75	3.5	3	308080R			▲				
308.0010.20	15.7	2	4.5	1	3.5	3	308080R			▲				
308.0011.22	15.7	2.2	4.5	1.1	3.5	3	308080R	△		▲		▲	△	▲
308.0015.30	15.7	3	4.5	1.5	3.5	3	308080R			▲				
308.0020.40	15.7	4	4.5	2	3.5	3	308080R			▲				
P	O	●	●	●	●	●	●	●	●	●	●	●	●	●
M	-	O	●	●	●	●	●	●	●	●	●	●	●	●
K	-	-	●	●	●	●	●	●	●	●	●	●	●	●
N	-	-	O	-	●	●	●	●	●	●	●	●	●	●
S	-	-	●	-	●	●	●	●	●	●	●	●	●	●
H	-	-	-	-	-	-	-	-	-	-	-	-	-	-



B



图示=右手型
Picture = right hand cutting version

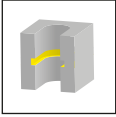
硬质合金牌号
Carbide grades

▲ 库存
on stock

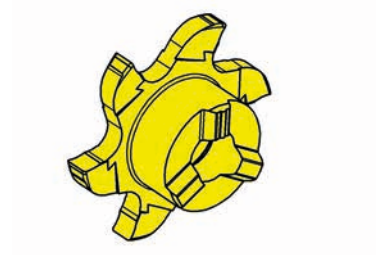
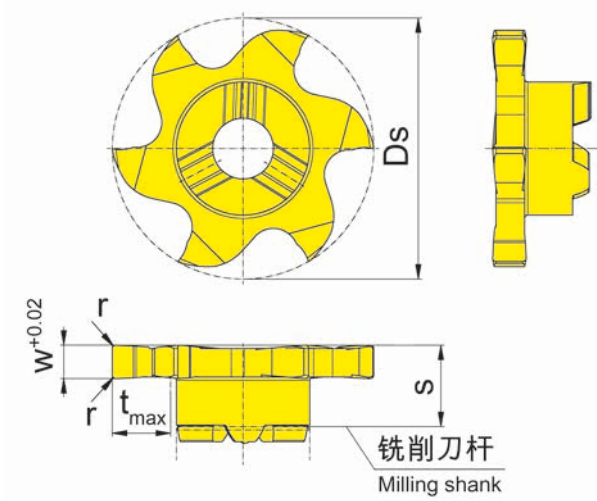
△ 4周
4 weeks

产品型号 Part number	Ds	E	s	w	t _{max}	Z	HIS	MG12	TF45	TI25	TN35
308.4545.00	15.7	1.6	4.7	1.4	1.2	3	308080R	△	△		▲
								P	o	●	●
								M	-	●	●
								K	-	●	●
								N	-	●	●
								S	-	●	●
								H	-	-	-

B



z6



图示=右手型
Picture = right hand cutting version

硬质合金牌号
Carbide grades

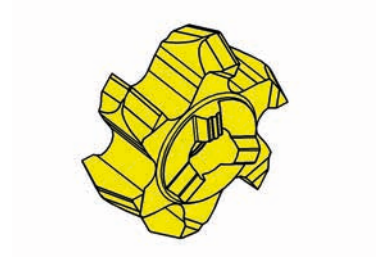
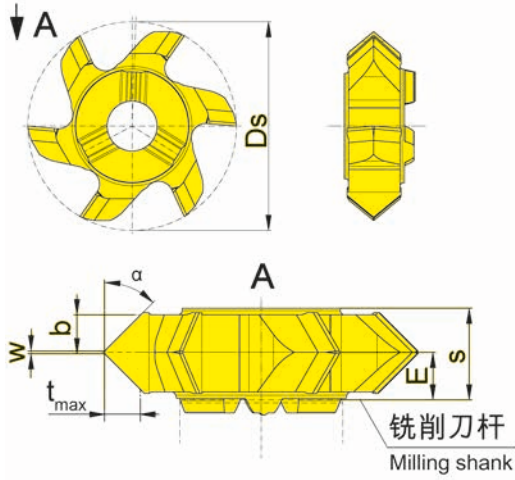
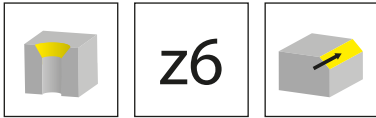
▲ 库存
on stock

△ 4周
4 weeks

产品型号 Part number	Ds	w	s	r	t _{max}	Z	HIS	AS45	EG35	IG35	TI25
608.0025.00	15.7	0.25	4.9	-	3.5	6	308080R		▲	△	
608.0030.00	15.7	0.3	4.9	-	3.5	6	308080R		▲	△	
608.0040.00	15.7	0.4	4.9	-	3.5	6	308080R		▲	△	
608.0050.00	15.7	0.5	4.9	-	3.5	6	308080R		▲	△	
608.0060.00	15.7	0.6	4.9	-	3.5	6	308080R		▲	△	
608.0070.00	15.7	0.7	4.9	-	3.5	6	308080R		▲	△	
608.0080.00	15.7	0.8	4.9	-	3.5	6	308080R		▲	△	
608.0090.00	15.7	0.9	4.9	-	3.5	6	308080R		▲	△	
608.0100.00	15.7	1	4.9	-	3.5	6	308080R		▲	△	
608.0150.00	15.7	1.5	4.9	-	3.5	6	308080R	▲			▲
608.0200.00	15.7	2	4.9	0.2	3.5	6	308080R	▲			▲
608.0250.00	15.7	2.5	4.9	0.2	3.5	6	308080R	▲			▲

可以提供浅切深的槽宽0.5mm以下的刀片。
Inserts for widths of groove t_{max} down to 0,5 mm can be delivered with reduced depth upon request.

P	●	●	-	●
M	●	●	●	●
K	●	○	-	●
N	○	-	-	●
S	●	-	●	●
H	-	-	-	-



图示=右手型
Picture = right hand cutting version

▲ 库存
on stock

硬质合金牌号
Carbide grades
△ 4周
4 weeks

产品型号 Part number	Ds	E	s	w	α	b	t_{max}	Z	HIS	TA45	TI25
608.1515.20	15.7	2.6	5.1	0.2	15°	2.2	0.6	6	308080R	▲	
608.2020.20	15.7	2.6	5.1	0.2	20°	2.2	0.8	6	308080R	▲	
608.3030.20	15.7	2.6	5.1	0.2	30°	2.2	1.3	6	308080R	▲	
608.4545.20	15.7	2.6	5.1	0.2	45°	1.7	1.7	6	308080R		▲
										P	●
										M	●
										K	●
										N	●
										S	●
										H	-

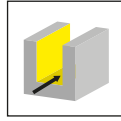
槽铣削(圆弧插补铣削)

Groove Milling by circular interpolation

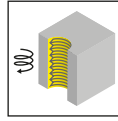


B

铣刀杆
Milling shank
M311/M311.ST/M311.
ER



页/Page
90, 92-94

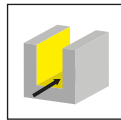


页/Page
91

常规刀柄
Basic Holder
WFB

页/Page
95

螺纹锁紧铣刀
Screw-in cutter
M311.M



页/Page
96

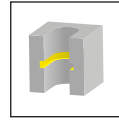
刀片
Insert
311/611/911



页/Page
97-98, 104



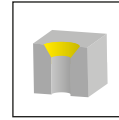
页/Page
99, 101



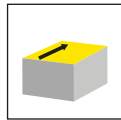
页/Page
100, 105, 108



页/Page
102



页/Page
103, 107



页/Page
106

M311



铣刀杆

带可转位刀片

孔径自 \varnothing 18 mm

Milling shank with
exchangeable insert

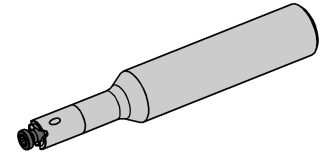
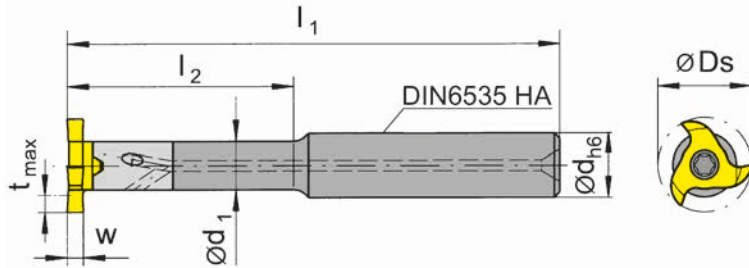
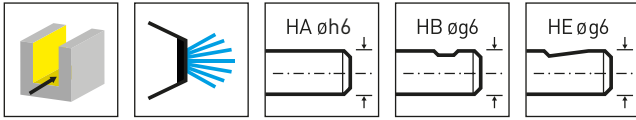
from bore \varnothing 18 mm

铣刀杆 Milling shank

M311



B



产品型号 Part number	d	l ₁	l ₂	d ₁	形式 Form	HWS
M311.0012.01A	12	100	32	9	A	311090R
M311.0012.02A	12	100	45	9	A	311090R
M311.0012.03A	12	120	64	9	A	311090R
M311.0016.01A	16	100	32	9	A	311090R
M311.0016.02A	16	110	45	9	A	311090R
M311.0016.03A	16	130	64	9	A	311090R
M311.0012.01B	12	100	32	9	B	311090R
M311.0012.02B	12	100	45	9	B	311090R
M311.0012.03B	12	120	64	9	B	311090R
M311.0016.01B	16	100	32	9	B	311090R
M311.0016.02B	16	110	45	9	B	311090R
M311.0016.03B	16	130	64	9	B	311090R
M311.0012.01E	12	100	32	9	E	311090R
M311.0012.02E	12	100	45	9	E	311090R
M311.0012.03E	12	120	64	9	E	311090R
M311.0016.01E	16	100	32	9	E	311090R
M311.0016.02E	16	110	45	9	E	311090R
M311.0016.03E	16	130	64	9	E	311090R

w, Ds, tmax 见刀片
w, Ds, tmax see inserts

配件 Spare Parts

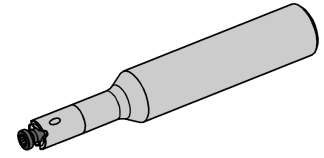
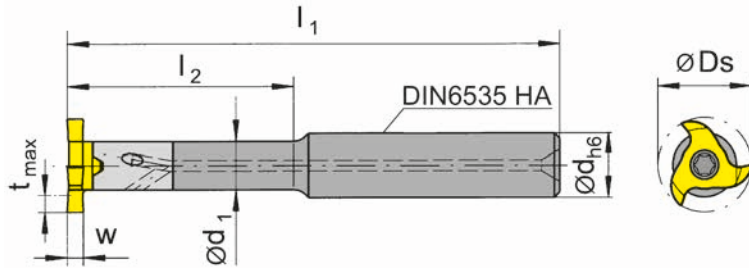
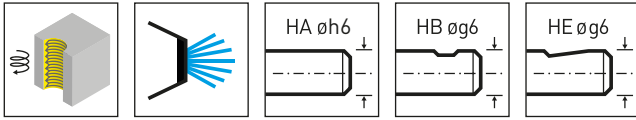
铣刀杆 Milling shank	锁紧螺钉 Clamping Screw	TORX PLUS® 扳手 TORX PLUS® Wrench
M311...	4.14T15P	T15PQ

铣刀杆 Milling shank

M311



B



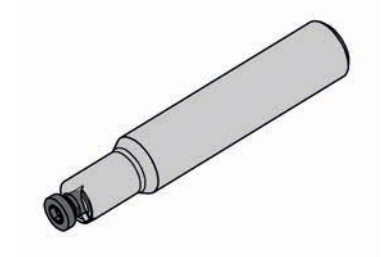
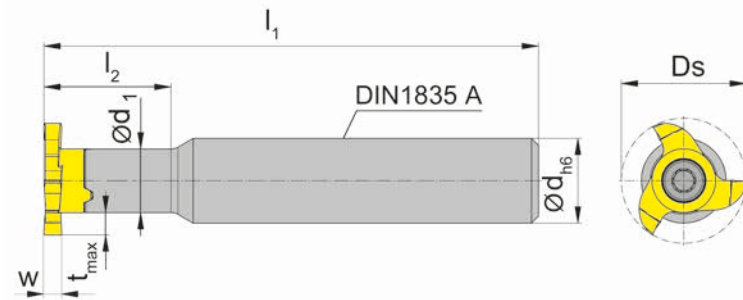
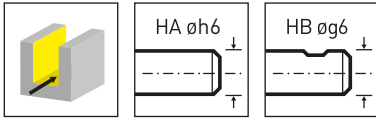
产品型号 Part number	d	l ₁	l ₂	d ₁	形式 Form	HWS
M311.1316.01A	16	110	32	13	A	311090R
M311.1316.02A	16	130	45	13	A	311090R
M311.1316.03A	16	145	64	13	A	311090R
M311.1316.01B	16	110	32	13	B	311090R
M311.1316.02B	16	130	45	13	B	311090R
M311.1316.03B	16	145	64	13	B	311090R
M311.1316.01E	16	110	32	13	E	311090R
M311.1316.02E	16	130	45	13	E	311090R
M311.1316.03E	16	145	64	13	E	311090R

w, Ds, tmax 见刀片
w, Ds, tmax see inserts

配件 Spare Parts

铣刀杆 Milling shank	锁紧螺钉 Clamping Screw	TORX PLUS® 扳手 TORX PLUS® Wrench
M311...	4.14T15P	T15PQ

B

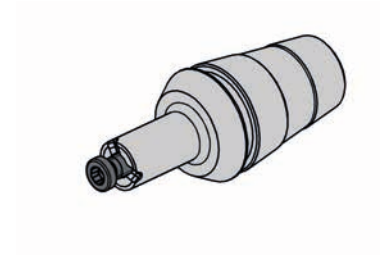
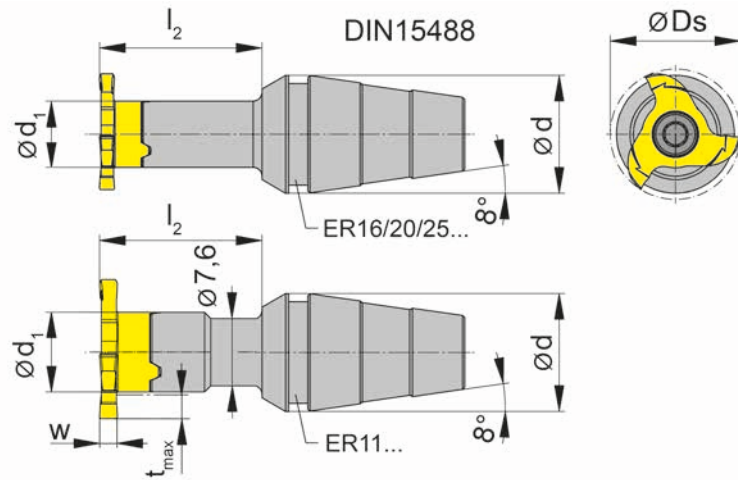
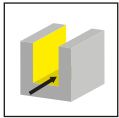


产品型号 Part number	d	l_1	l_2	d_1	形式 Form	HWS
M311.ST10.01A	10	60	18	9	A	311090R
M311.ST12.01A	12	70	18	9	A	311090R
M311.ST13.01A	13	70	26	9	A	311090R
M311.ST16.01A	16	80	26	9	A	311090R
M311.ST10.01B	10	60	18	9	B	311090R
M311.ST12.01B	12	70	18	9	B	311090R
M311.ST16.01B	16	80	26	9	B	311090R

w, Ds, tmax 见刀片
w, Ds, tmax see inserts

配件
Spare Parts

铣刀杆 Milling shank	锁紧螺钉 Clamping Screw	TORX PLUS® 扳手 TORX PLUS® Wrench
M311...	4.14T15P	T15PQ



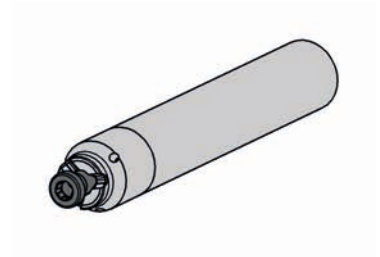
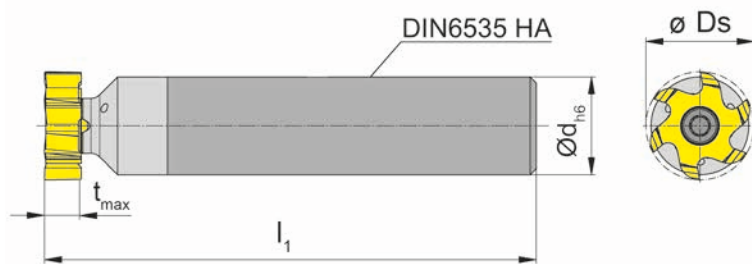
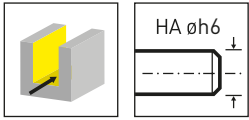
产品型号 Part number	d	l ₂	d ₁	锁紧螺母 Clamping nut	HWS
M311.ER11.02	11	22	9	ER11.6499	311090R
M311.ER25.02	25	22	9	ER25.6499	311090R
M311.ER16.02	16	22	9	ER16.6499/ERM16.6499	311090R
M311.ER20.02	20	22	9	ER20.6499/ERM20.6499	311090R
M311.ER20.14.01	20	19.7	12.5	ER20.6499/ERM20.6499	311090R
M311.ER25.14.01	25	19.7	14.5	ER25.6499	311090R

w, Ds, tmax见刀片
w, Ds, tmax see inserts

配件
Spare Parts

铣刀杆 Milling shank	锁紧螺钉 Clamping Screw	TORX PLUS®扳手 TORX PLUS® Wrench
M311.E...	4.14T15P	T15PQ
M311.ER25.14.01	4.14T15P	T15PL

B

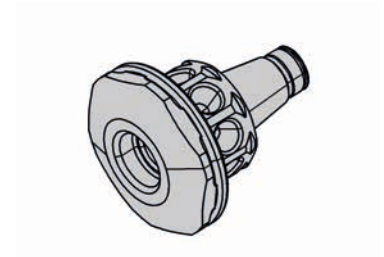
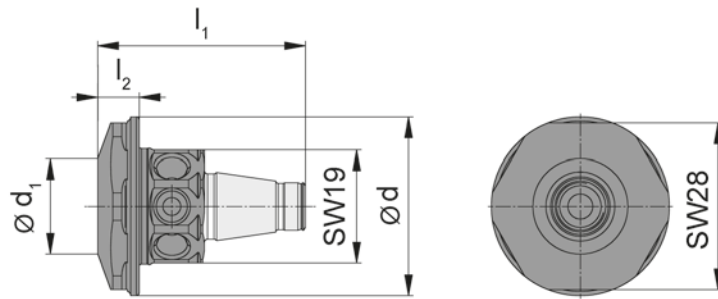


产品型号 Part number	d	l_1	形式 Form	HWS
M311.0012.D.00A	12	80	A	311090R
M311.0016.D.00A	16	80	A	311090R

tmax和Ds见刀片
tmax and Ds see inserts

配件
Spare Parts

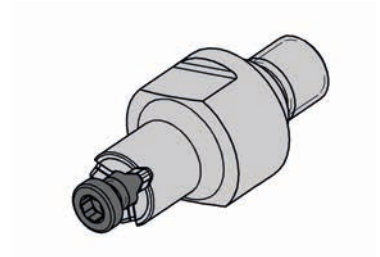
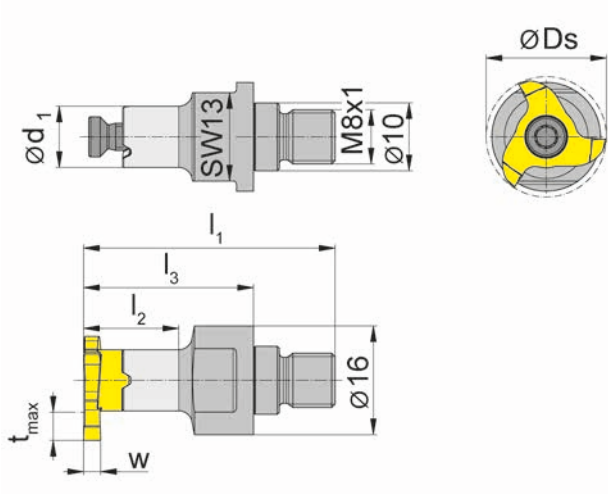
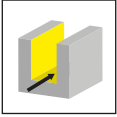
铣刀杆 Milling shank	锁紧螺钉 Clamping Screw	TORX PLUS®扳手 TORX PLUS® Wrench
M311...	4.14T15P	T15PQ



产品型号 Part number	l_1	l_2	d_1	d
WFB.2012.M081.01	35	7	16	30

配合螺纹锁紧型铣刀
for Screw-in cutter

B



产品型号 Part number	l_1	l_2	l_3	d_1	SW	HWS	HMS
M311.M081.01	37	14	25	9	13	311090R	8201

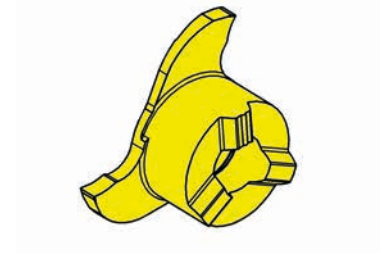
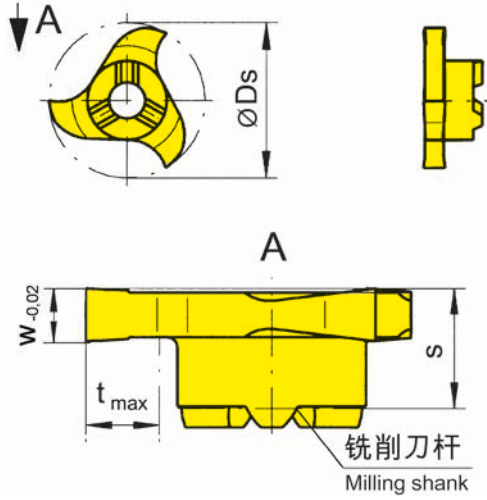
w, Ds, tmax 见刀片
w, Ds, tmax see inserts

配件
Spare Parts

螺纹锁紧铣刀 Screw-in cutter	锁紧螺钉 Clamping Screw	TORX PLUS® 扳手 TORX PLUS® Wrench
M311.M081.01	4.14T15P	T15PQ



B

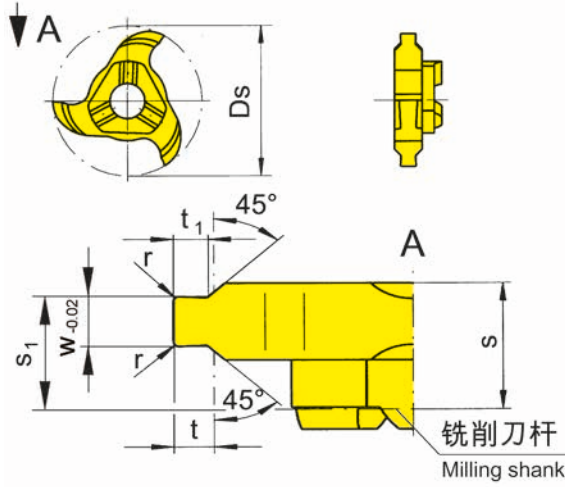


图示=右手型
Picture = right hand cutting version

硬质合金牌号
Carbide grades
▲ 库存
on stock
△ 4周
4 weeks

产品型号 Part number	Ds	Nw	w	s	t _{max}	Z	HIS	AS45	TN35
311.0110.00	17.7	1.1	1.21	5.75	3.5	3	311090R	▲	▲
311.0130.00	17.7	1.3	1.41	5.75	3.5	3	311090R	△	▲
311.0160.00	17.7	1.6	1.71	5.75	3.5	3	311090R	△	▲
								P	● ●
								M	● ●
								K	● ●
								N	○ ●
								S	● ●
								H	- -

B



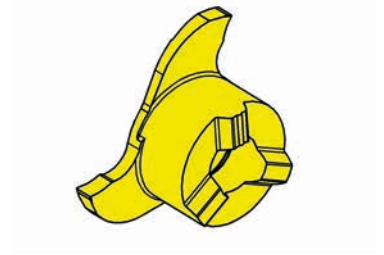
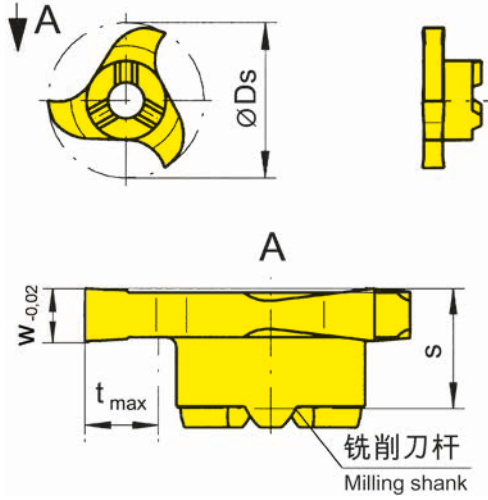
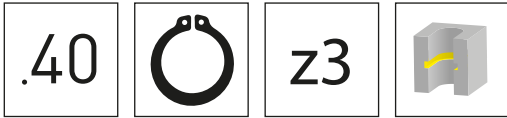
图示=右手型
Picture = right hand cutting version

硬质合金牌号
Carbide grades

▲ 库存
on stock

△ 4周
4 weeks

产品型号 Part number	Ds	Nw	w	t ₁	s	s ₁	r	t _{max}	Z	HIS	AS45
311.1307.30	17.7	1.3	1.41	0.65	5.95	4.7	-	0.7	3	311090R	▲
311.1812.35	17.7	1.85	1.96	1.21	5.95	5	0.2	1.25	3	311090R	▲
											P ●
											M ●
											K ●
											N ○
											S ●
											H -



图示=右手型
Picture = right hand cutting version

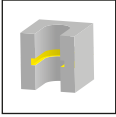
硬质合金牌号
Carbide grades

▲ 库存
on stock

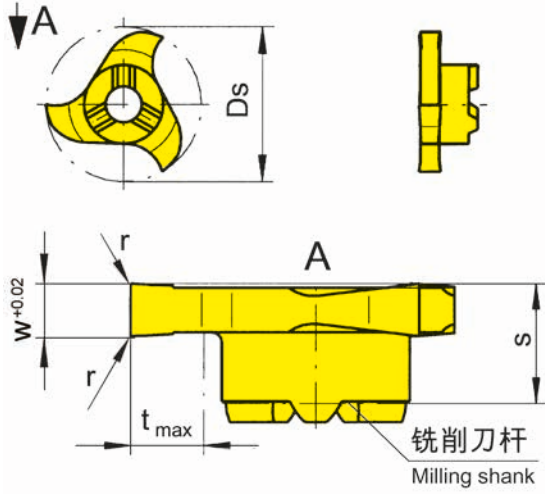
△ 4周
4 weeks

产品型号 Part number	Ds	Nw	w	s	t _{max}	Z	HIS	T125
311.0110.40	17.7	1.1	1.21	5.75	3.5	3	311090R	▲
311.0130.40	17.7	1.3	1.41	5.75	3.5	3	311090R	▲
311.0160.40	17.7	1.6	1.71	5.75	3.5	3	311090R	△
								P -
								M -
								K -
								N ●
								S -
								H -

B



z3



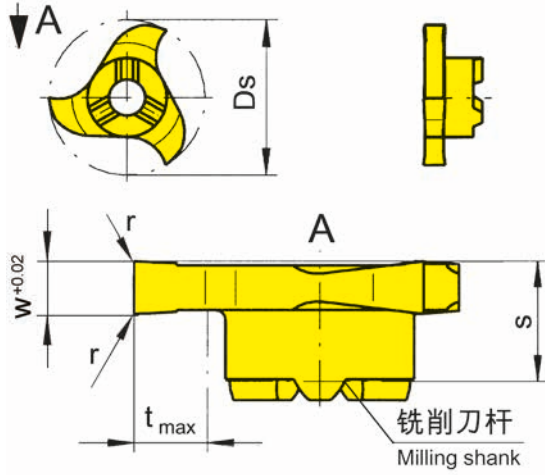
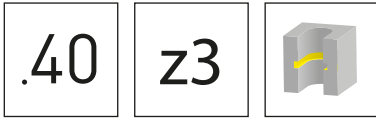
图示=右手型
Picture = right hand cutting version

硬质合金牌号
Carbide grades

▲ 库存
on stock

△ 4周
4 weeks

产品型号 Part number	Ds	w	s	r	t _{max}	Z	HIS	MG12	AS45	TN35
311.0150.00	17.7	1.5	5.75	-	3.5	3	311090R		▲	▲
311.0200.00	17.7	2	5.75	0.2	3.5	3	311090R	△	▲	▲
311.0250.00	17.7	2.5	5.75	0.2	3.5	3	311090R		▲	▲
311.0300.00	17.7	3	5.75	0.2	3.5	3	311090R	▲	▲	▲
311.0400.00	17.7	4	5.75	0.2	3.5	3	311090R		▲	
								P	o	●
								M	-	●
								K	-	●
								N	-	o
								S	-	●
								H	-	-



图示=右手型
Picture = right hand cutting version

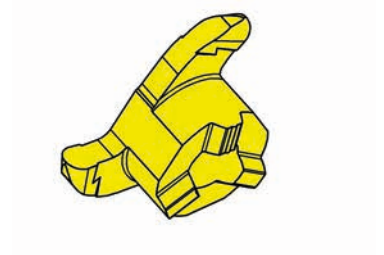
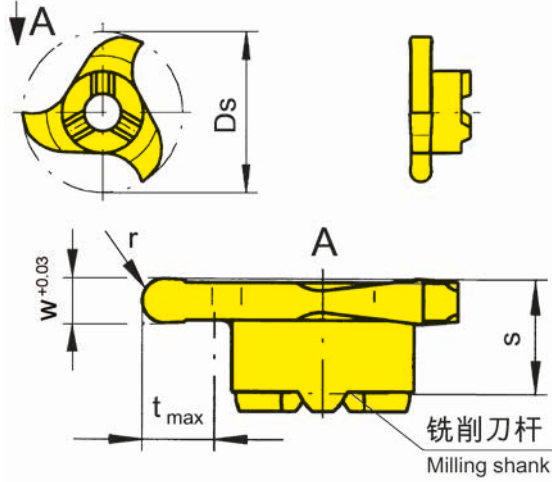
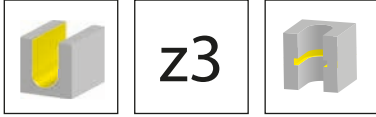
硬质合金牌号
Carbide grades

▲ 库存
on stock

△ 4周
4 weeks

产品型号 Part number	D _s	w	s	r	t _{max}	Z	HIS	T125
311.0150.40	17.7	1.5	5.75	-	3.5	3	311090R	▲
311.0200.40	17.7	2	5.75	0.2	3.5	3	311090R	▲
311.0250.40	17.7	2.5	5.75	0.2	3.5	3	311090R	▲
311.0300.40	17.7	3	5.75	0.2	3.5	3	311090R	▲
311.0400.40	17.7	4	5.75	0.2	3.5	3	311090R	▲
								P -
								M -
								K -
								N ●
								S -
								H -

B



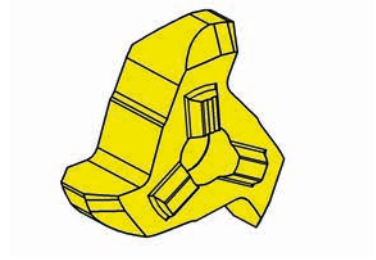
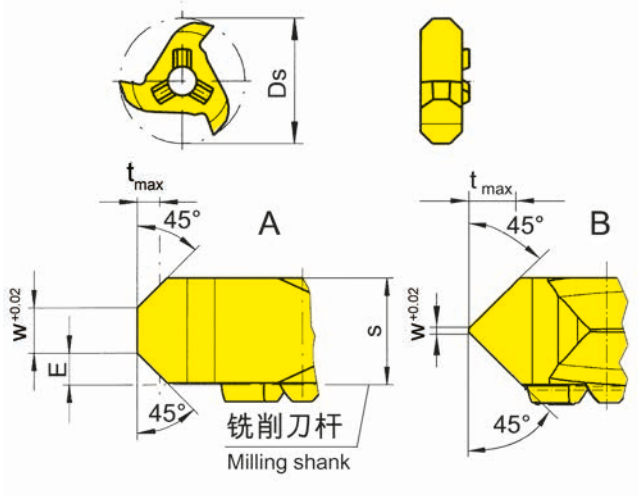
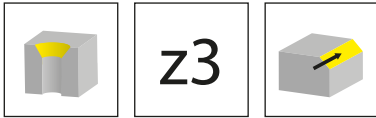
图示=右手型
Picture = right hand cutting version

硬质合金牌号
Carbide grades

▲ 库存
on stock

△ 4周
4 weeks

产品型号 Part number	Ds	w	s	r	t _{max}	Z	HIS	AN25	AS45	RC45	TN35
311.0005.10	17.7	1	5.75	0.5	3.5	3	311090R	▲		▲	
311.0007.15	17.7	1.5	5.75	0.75	3.5	3	311090R		▲		
311.0010.20	17.7	2	5.75	1	3.5	3	311090R		▲		
311.0011.22	17.7	2.2	5.75	1.1	3.5	3	311090R		▲		▲
311.0015.30	17.7	3	5.75	1.5	3.5	3	311090R		▲		
311.0020.40	17.7	4	5.75	2	3.5	3	311090R		▲		
P	●	●	●	●	●	●					
M	○	●	●	●	●	●					
K	-	●	●	●	●	●					
N	-	○	-	-	●	●					
S	-	●	-	-	●	●					
H	-	-	-	-	-	-					



图示=右手型
Picture = right hand cutting version

硬质合金牌号
Carbide grades

▲ 库存
on stock

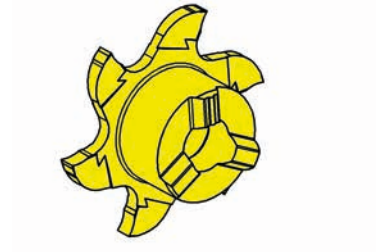
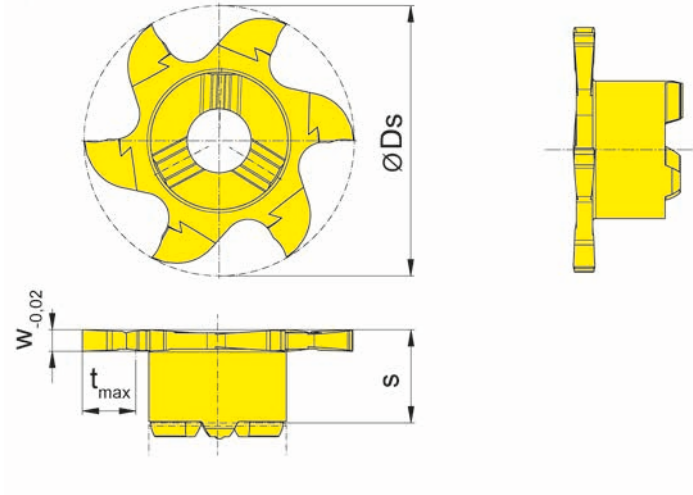
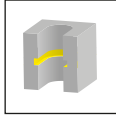
△ 4周
4 weeks

产品型号 Part number	Ds	E	s	w	形式 Form	t _{max}	Z	HIS		T125	TN35
311.4545.00	17.7	1.7	5.95	2.5	A	1.4	3	311090R			▲
311.4545.20	15	2.95	5.95	0.2	B	2.5	3	311090R		▲	▲
									P	●	●
									M	●	●
									K	●	●
									N	●	●
									S	●	●
									H	-	-

B



z6



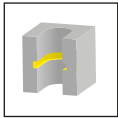
图示=右手型
Picture = right hand cutting version

硬质合金牌号
Carbide grades

▲ 库存
on stock

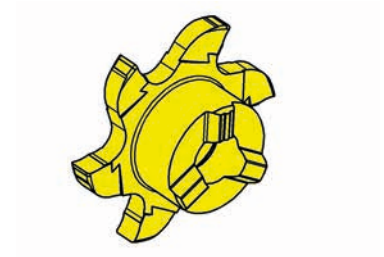
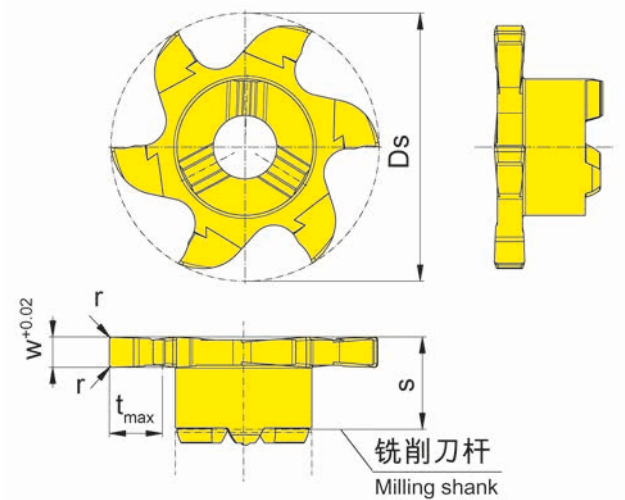
△ 4周
4 weeks

产品型号 Part number	Ds	Nw	w	s	t _{max}	Z	HIS	AS45	T125
611.0110.00	17.7	1.1	1.21	6.1	3.5	6	311090R	▲	▲
611.0130.00	17.7	1.3	1.41	6.1	3.5	6	311090R	▲	▲
611.0160.00	17.7	1.6	1.71	6.1	3.5	6	311090R	▲	▲
								P ● ●	● ●
								M ● ●	● ●
								K ● ●	● ●
								N ○ ●	● ●
								S ● ●	● ●
								H - -	- -



z6

B



图示=右手型
Picture = right hand cutting version

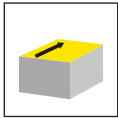
硬质合金牌号
Carbide grades
▲ 库存
on stock
△ 4周
4 weeks

产品型号 Part number	Ds	w	s	r	t _{max}	Z	HIS	AS45	TI25
611.0150.00	17.7	1.5	6.1	-	3.5	6	311090R	▲	▲
611.0200.00	17.7	2	6.1	0.2	3.5	6	311090R	▲	▲
611.0250.00	17.7	2.5	6.1	0.2	3.5	6	311090R	▲	▲
611.0300.00	17.7	3	6.1	0.2	3.5	6	311090R	▲	▲
611.0400.00	17.7	4	6.1	0.2	3.5	6	311090R	▲	▲

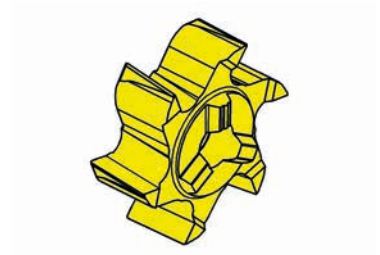
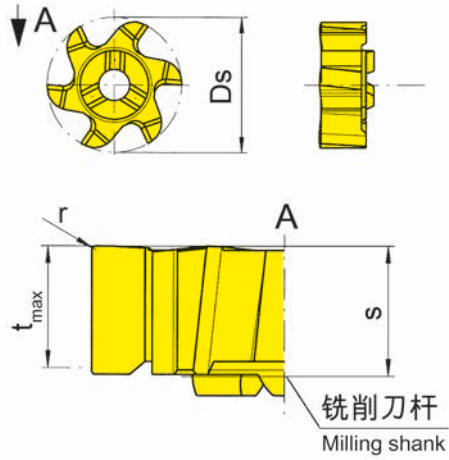
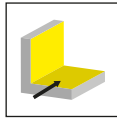
2.5mm槽宽以上的刀片是错齿的
from width of groove 2,5 mm toothing with cross-cut

P	●	●
M	●	●
K	●	●
N	○	●
S	●	●
H	-	-

B



z6



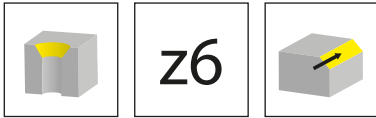
图示=右手型
Picture = right hand cutting version

硬质合金牌号
Carbide grades

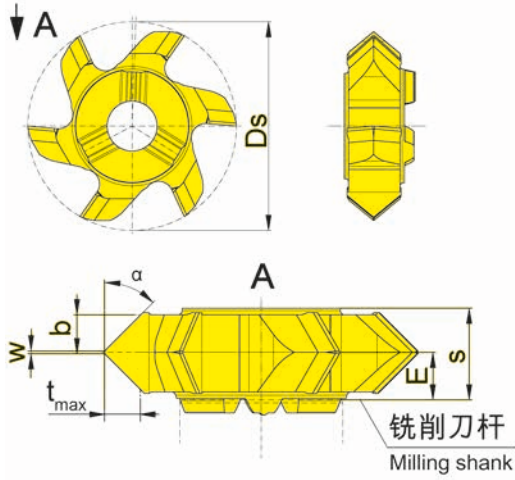
▲ 库存
on stock

△ 4周
4 weeks

产品型号 Part number	Ds	Z	r	t _{max}	s	HIS	AS45	TF45	T125
611.PL61.62	17.7	6	0.2	5.7	6.1	311090R	▲	▲	▲
P	●	●	●	●	●		●	●	●
M	●	●	●	●	●		●	●	●
K	●	●	●	●	●		●	●	●
N	○	○	○	○	○		○	○	○
S	●	●	●	●	●		●	●	●
H	-	-	-	-	-		-	-	-



B



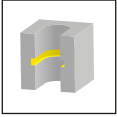
图示=右手型
Picture = right hand cutting version

▲ 库存
on stock

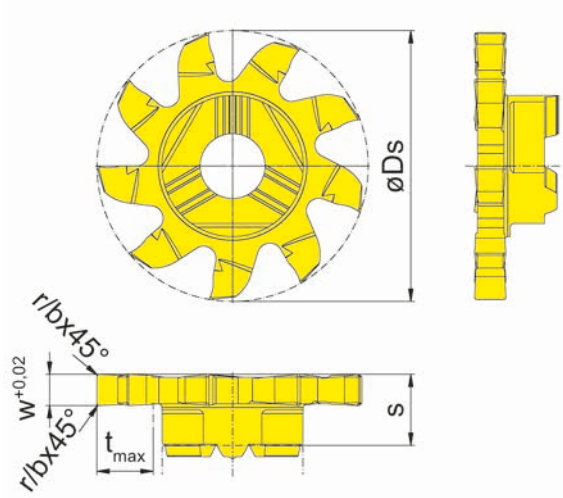
硬质合金牌号
Carbide grades
△ 4周
4 weeks

产品型号 Part number	Ds	E	s	w	α	b	t_{max}	Z	HIS	AS45	TA45	TI25
611.1515.20	17.7	3.2	6.3	0.2	15°	2.8	0.75	6	311090R	▲	▲	
611.2020.20	17.7	3.2	6.3	0.2	20°	2.8	1	6	311090R	▲	▲	
611.3030.20	17.7	3.2	6.3	0.2	30°	2.8	1.6	6	311090R	▲	▲	
611.4545.20	17.7	3.2	6.3	0.2	45°	2.3	2.3	6	311090R	▲		▲
										P	●	●
										M	●	●
										K	●	●
										N	○	○
										S	●	●
										H	-	-

B



z9



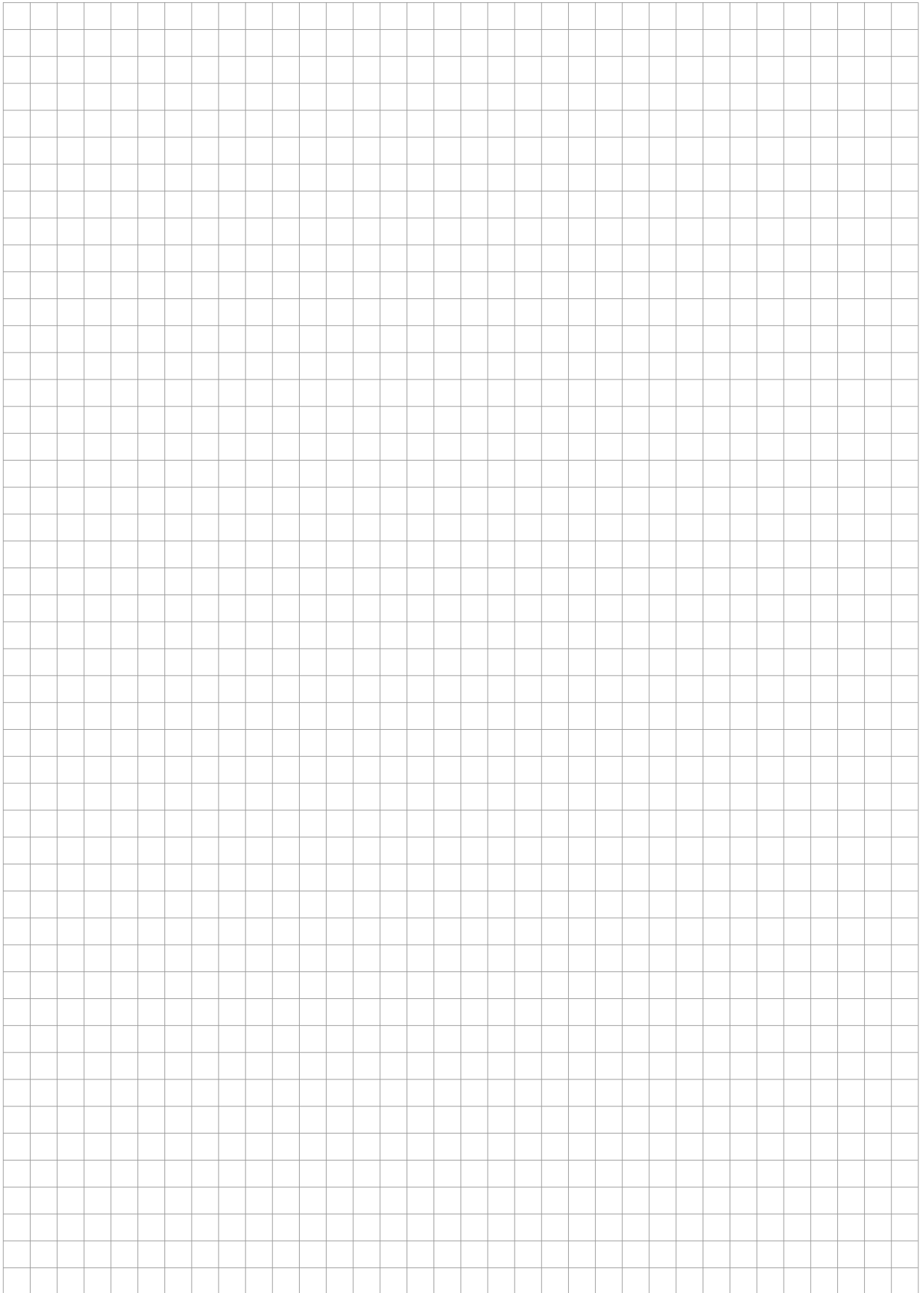
图示=右手型
Picture = right hand cutting version

硬质合金牌号
Carbide grades

▲ 库存
on stock

△ 4周
4 weeks

产品型号 Part number	Ds	w	s	b x 45°	r	t _{max}	Z	HIS	EG55	IG65
911.0150.00	17.7	1.5	6.1	0.05	-	3.5	9	311090R	▲	△
911.0200.00	17.7	2	6.1	-	0.2	3.5	9	311090R	▲	△
911.0250.00	17.7	2.5	6.1	-	0.2	3.5	9	311090R	▲	△
911.0300.00	17.7	3	6.1	-	0.2	3.5	9	311090R	▲	△
									P ● ●	
									M ○ ●	
									K ○ -	
									N - -	
									S - ○	
									H - -	



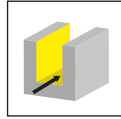
槽铣削(圆弧插补铣削)

Groove Milling by circular interpolation



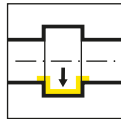
B

铣刀杆
Milling shank
M116

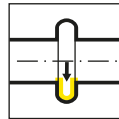


页/Page
112

刀片
Insert
116



页/Page
113-114



页/Page
115

M116



铣刀杆

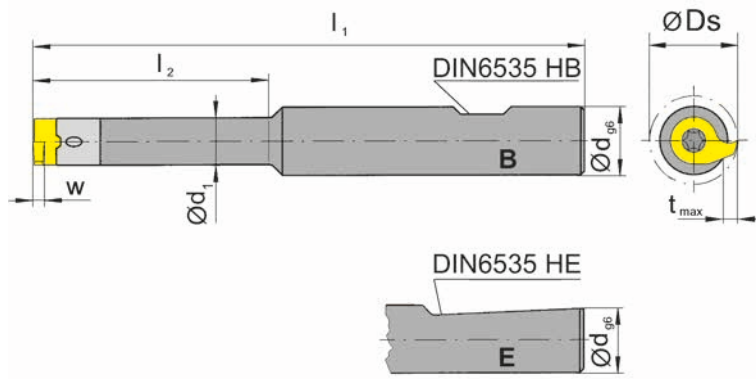
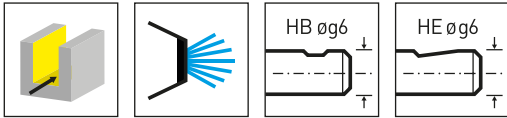
带可转位刀片

孔径
非旋转 $\varnothing 16 \text{ mm}$
旋转类 $\varnothing 20.4 \text{ mm}$

Milling shank with
exchangeable insert

from bore
non rotating $\varnothing 16 \text{ mm}$
rotating $\varnothing 20,4 \text{ mm}$

B



产品型号 Part number	d	l ₁	l ₂	d ₁	形式 Form	HWS
M116.0012.01B	12	130	40	11	B	116110R • 116110L
M116.0012.02B	12	130	56	11	B	116110R • 116110L
M116.0016.01B	16	130	40	11	B	116110R • 116110L
M116.0016.02B	16	130	56	11	B	116110R • 116110L
M116.0016.03B	16	150	80	11	B	116110R • 116110L
M116.0016.01E	16	130	40	11	E	116110R • 116110L
M116.0016.03E	16	150	80	11	E	116110R • 116110L

w, Ds, tmax 见刀片
w, Ds, tmax see inserts

注意Ø16mm条件:

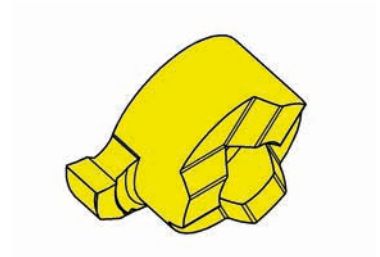
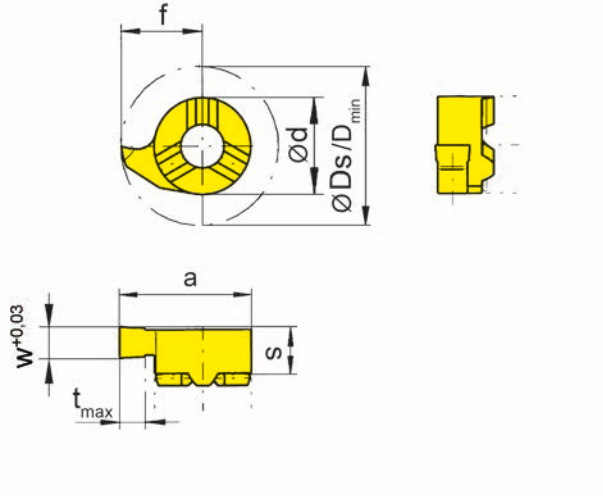
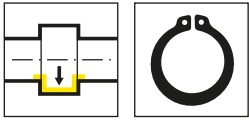
只有当主轴停止并偏心通过孔进行背铣时。

Note from Ø 16 mm:
Only back face milling with oriented spindlestop offset of centerline.

配件

Spare Parts

铣刀杆 Milling shank	锁紧螺钉 Clamping Screw	TORX PLUS®扳手 TORX PLUS® Wrench
M116...	5.13T20EP	T20PQ



R=右手型-如图
R = right hand version shown

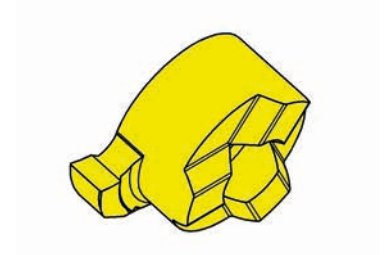
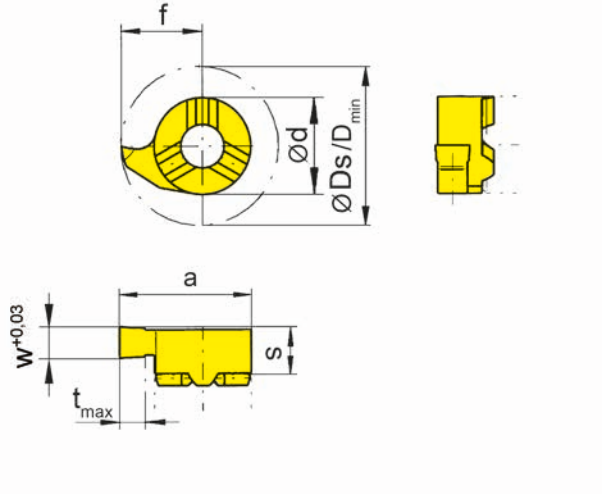
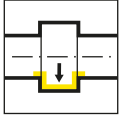
L=左手型
L = left hand version

▲ 库存
on stock

硬质合金牌号
Carbide grades
△ 4周
4 weeks

产品型号 Part number	w	Nw	f	Ds	a	d	t _{max}	D _{min}	HIS	MG12	EG55	TH35	TN35
R116.0110.00	1.19	1.1	10.2	20.4	15.7	11	4.3	16	116110R	▲	▲	▲	▲
R116.0130.00	1.39	1.3	10.2	20.4	15.7	11	4.3	16	116110R	▲	▲	▲	▲
R116.0160.00	1.69	1.6	10.2	20.4	15.7	11	4.3	16	116110R	▲	▲	▲	▲
L116.0110.00	1.19	1.1	10.2	20.4	15.7	11	4.3	16	116110L	▲	▲	▲	▲
L116.0130.00	1.39	1.3	10.2	20.4	15.7	11	4.3	16	116110L	▲	▲	▲	▲
L116.0160.00	1.69	1.6	10.2	20.4	15.7	11	4.3	16	116110L	▲	▲	▲	▲
										P	o	●	●
										M	-	o	●
										K	-	o	●
										N	-	-	●
										S	-	-	●
										H	-	-	-

B



R=右手型-如图
R = right hand version shown

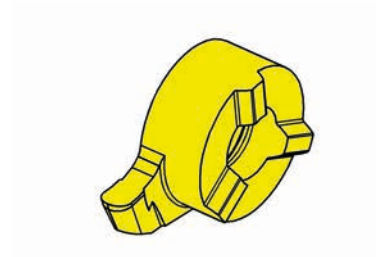
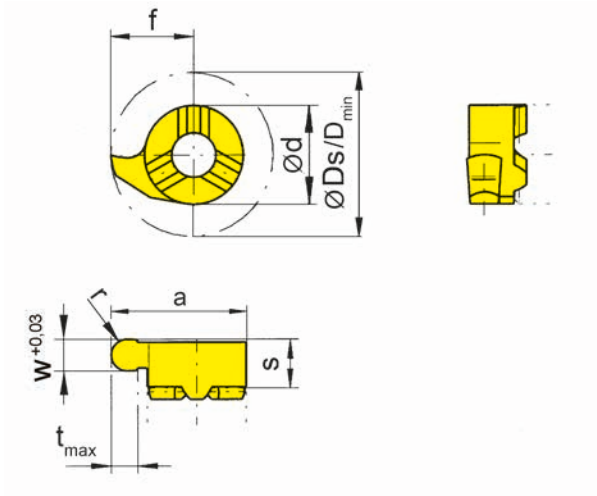
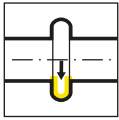
L=左手型
L = left hand version

硬质合金牌号
Carbide grades

▲ 库存
on stock

△ 4周
4 weeks

产品型号 Part number	w	f	Ds	a	d	t _{max}	D _{min}	HIS	MG12	EG55	TH35	TN35
R116.0200.00	2	10.2	20.4	15.7	11	4.3	16	116110R	▲	▲	▲	▲
R116.0250.00	2.5	10.2	20.4	15.7	11	4.3	16	116110R	▲	▲	▲	▲
R116.0300.00	3	10.2	20.4	15.7	11	4.3	16	116110R	▲	▲	▲	▲
R116.0350.00	3.5	10.2	20.4	15.7	11	4.3	16	116110R	▲	▲	▲	▲
R116.0400.00	4	10.2	20.4	15.7	11	4.3	16	116110R	▲	▲	▲	▲
L116.0200.00	2	10.2	20.4	15.7	11	4.3	16	116110L	▲	▲	▲	▲
L116.0250.00	2.5	10.2	20.4	15.7	11	4.3	16	116110L	▲	▲	▲	▲
L116.0300.00	3	10.2	20.4	15.7	11	4.3	16	116110L	▲	▲	▲	▲
L116.0350.00	3.5	10.2	20.4	15.7	11	4.3	16	116110L	▲	▲	▲	▲
L116.0400.00	4	10.2	20.4	15.7	11	4.3	16	116110L	▲	▲	▲	▲
									P	o	•	•
									M	-	o	•
									K	-	o	•
									N	-	-	•
									S	-	-	•
									H	-	-	-



R=右手型-如图
R = right hand version shown

L=左手型
L = left hand version

硬质合金牌号
Carbide grades
▲ 库存
on stock
△ 4周
4 weeks

产品型号 Part number	w	f	Ds	a	r	d	t _{max}	D _{min}	HIS	MG12	EG55	TH35	TN35
R116.0009.18	1.8	10.2	20.4	15.7	0.9	11	4.3	16	116110R	▲	▲	▲	▲
R116.0011.22	2.2	10.2	20.4	15.7	1.1	11	4.3	16	116110R	▲	▲	▲	▲
R116.0015.30	3	10.2	20.4	15.7	1.5	11	4.3	16	116110R	▲	▲	▲	▲
R116.0020.40	4	10.2	20.4	15.7	2	11	4.3	16	116110R	△	▲	▲	▲
L116.0009.18	1.8	10.2	20.4	15.7	0.9	11	4.3	16	116110L	△	▲	▲	▲
L116.0011.22	2.2	10.2	20.4	15.7	1.1	11	4.3	16	116110L	△	▲	▲	▲
L116.0015.30	3	10.2	20.4	15.7	1.5	11	4.3	16	116110L	△	▲	▲	▲
L116.0020.40	4	10.2	20.4	15.7	2	11	4.3	16	116110L	△	▲	▲	▲
										P	o	•	•
										M	-	o	•
										K	-	o	•
										N	-	-	•
										S	-	-	•
										H	-	-	-

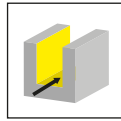
槽铣削(圆弧插补铣削)

Groove Milling by circular interpolation



B

铣刀杆
Milling shank
M313/M313.ST/
M313.ER

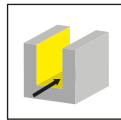


页/Page
118-123

常规刀柄
Basic Holder
WFB

页/Page
124

螺纹锁紧铣刀
Screw-in cutter
M313.M



页/Page
125

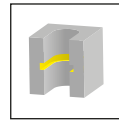
刀片
Insert
313/L313/613/
713/913



页/Page
126-127, 129-
130, 138-139



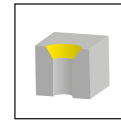
页/Page
128, 132



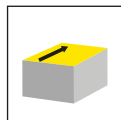
页/Page
131, 133-134,
137, 140, 147,
149



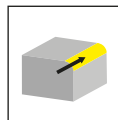
页/Page
135



页/Page
136, 145-146

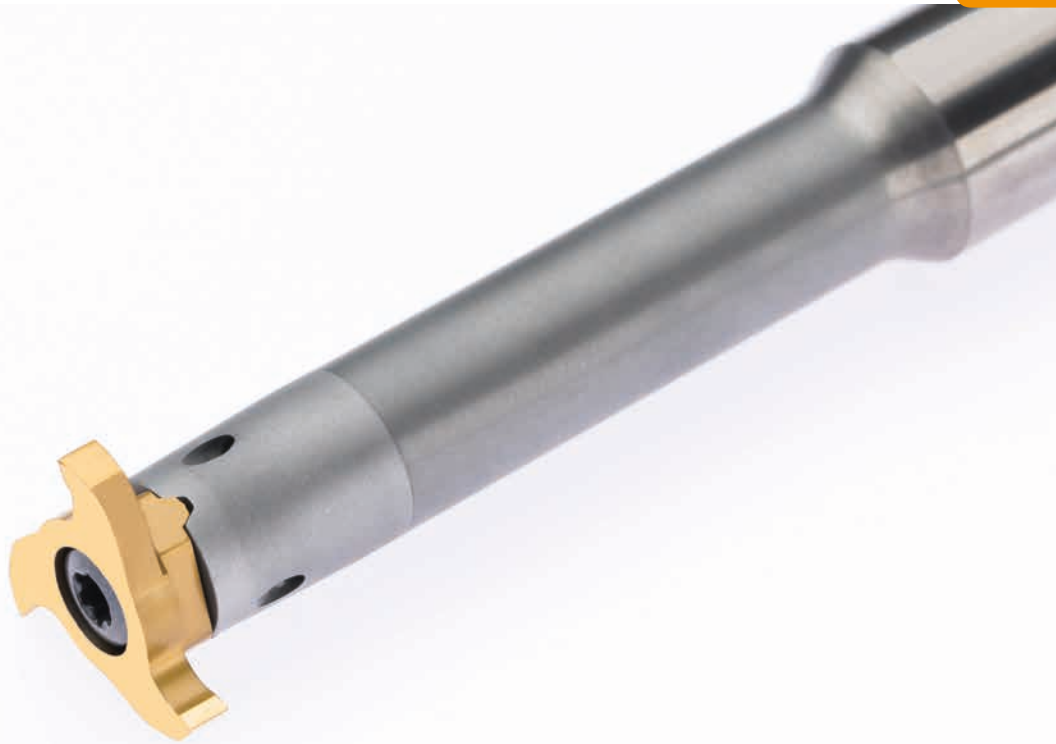


页/Page
141-143, 148



页/Page
144

M313



铣刀杆

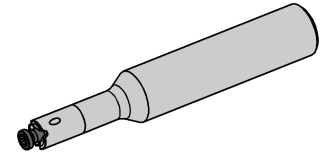
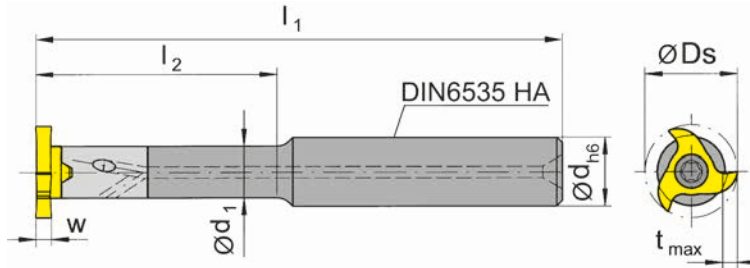
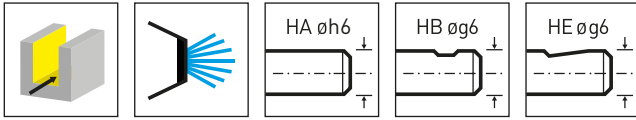
带可转位刀片

孔径自 \varnothing 22 mm

Milling shank with
exchangeable insert

from bore \varnothing 22 mm

B

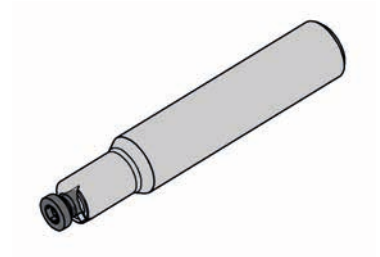
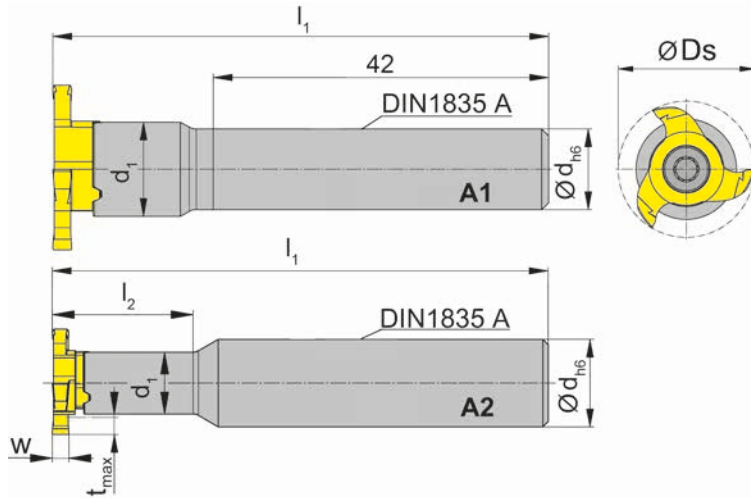
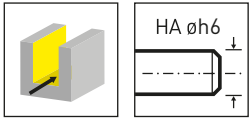


产品型号 Part number	d	l ₁	l ₂	d ₁	形式 Form	HWS
M313.0012.01A	12	100	-	-	A	313113R • 313113L
M313.0012.02A	12	130	-	-	A	313113R • 313113L
M313.0016.01A	16	100	42	12	A	313113R • 313113L
M313.0016.02A	16	130	60	12	A	313113R • 313113L
M313.0016.03A	16	160	85	12	A	313113R • 313113L
M313.0012.01B	12	100	-	-	B	313113R • 313113L
M313.0012.02B	12	130	-	-	B	313113R • 313113L
M313.0016.01B	16	100	42	12	B	313113R • 313113L
M313.0016.02B	16	130	60	12	B	313113R • 313113L
M313.0016.03B	16	160	85	12	B	313113R • 313113L
M313.0012.01E	12	100	-	-	E	313113R • 313113L
M313.0012.02E	12	130	-	-	E	313113R • 313113L
M313.0016.01E	16	100	42	12	E	313113R • 313113L
M313.0016.02E	16	130	60	12	E	313113R • 313113L
M313.0016.03E	16	160	85	12	E	313113R • 313113L

w, Ds, tmax 见刀片
w, Ds, tmax see inserts

配件
Spare Parts

铣刀杆 Milling shank	锁紧螺钉 Clamping Screw	TORX PLUS® 扳手 TORX PLUS® Wrench
M313...	5.14T20P	T20PQ



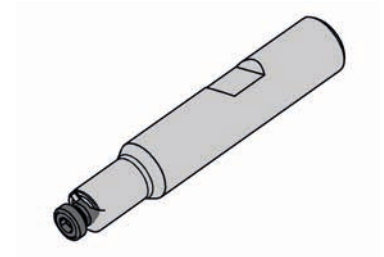
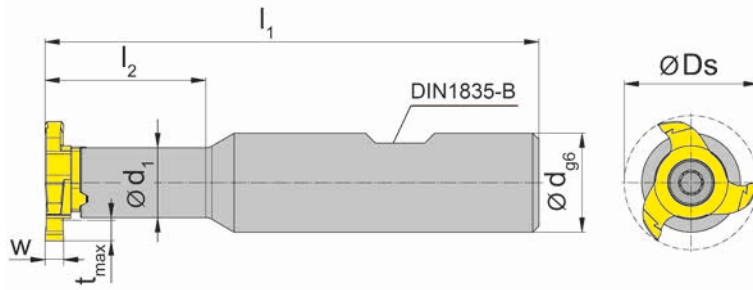
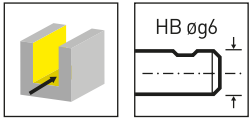
产品型号 Part number	d	l ₁	l ₂	d ₁	形式 Form	HWS
M313.ST10.01A	10	60	-	11.3	A1	313113R • 313113L
M313.ST12.01A	12	70	18	11.3	A2	313113R • 313113L
M313.ST13.01A	13	70	26	11.3	A2	313113R • 313113L
M313.ST16.01A	16	80	26	11.3	A2	313113R • 313113L

w, Ds, tmax 见刀片
w, Ds, tmax see inserts

配件
Spare Parts

铣刀杆 Milling shank	锁紧螺钉 Clamping Screw	TORX PLUS® 扳手 TORX PLUS® Wrench
M313...	5.14T20P	T20PQ

B

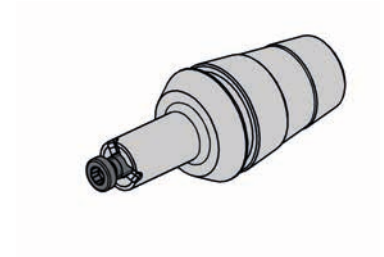
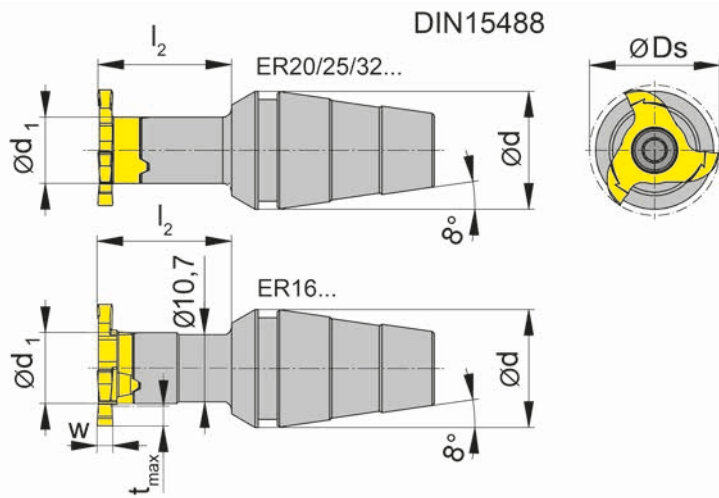
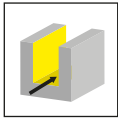


产品型号 Part number	d	l ₁	l ₂	d ₁	形式 Form	HWS
M313.ST12.01B	12	70	18	11.3	B	313113R • 313113L
M313.ST16.01B	16	80	26	11.3	B	313113R • 313113L

w, Ds, tmax 见刀片
w, Ds, tmax see inserts

配件
Spare Parts

铣刀杆 Milling shank	锁紧螺钉 Clamping Screw	TORX PLUS® 扳手 TORX PLUS® Wrench
M313...	5.14T20P	T20PQ



产品型号 Part number	d	l ₂	d ₁	锁紧螺母 Clamping nut	HWS
M313.ER16.01	16	20	11.3	ER16.6499/ERM16.6499	313113R • 313113L
M313.ER16.02	16	30	11.3	ER16.6499/ERM16.6499	313113R • 313113L
M313.ER20.01	20	20	11.3	ER20.6499/ERM20.6499	313113R • 313113L
M313.ER20.02	20	30	11.3	ER20.6499/ERM20.6499	313113R • 313113L
M313.ER25.02	25	30	11.3	ER25.6499	313113R • 313113L
M313.ER32.02	32	30	11.3	ER32.6499	313113R • 313113L

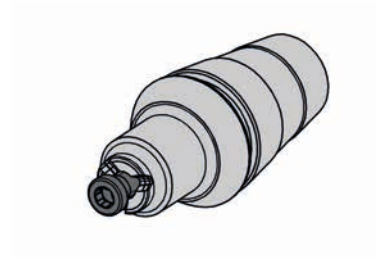
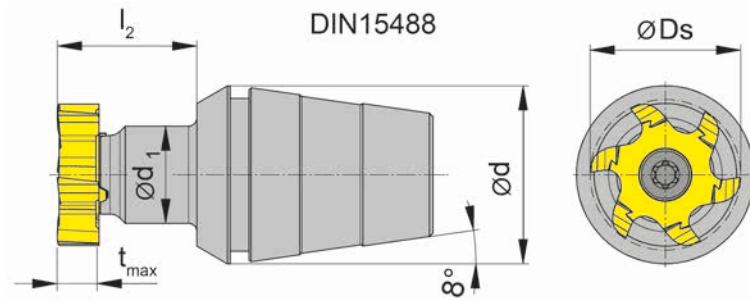
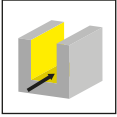
w, Ds, tmax见刀片
w, Ds, tmax see inserts

铣刀杆不包含夹紧螺母-需要单独订购!
Clamping nut is not combined with milling shank - separate order required!

配件
Spare Parts

铣刀杆 Milling shank	锁紧螺钉 Clamping Screw	TORX PLUS®扳手 TORX PLUS® Wrench
M313...	5.14T20P	T20PQ

B



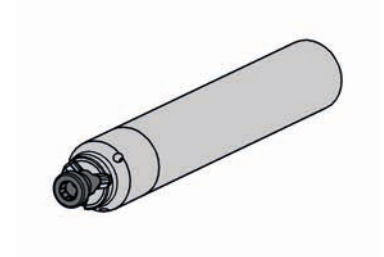
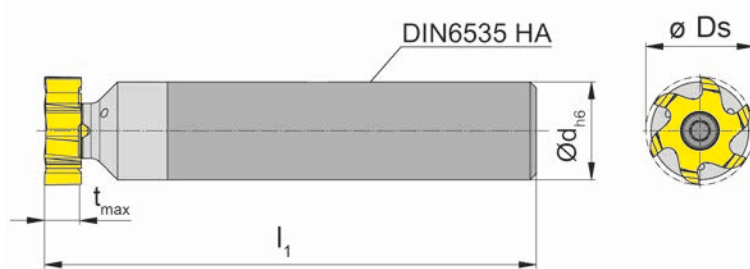
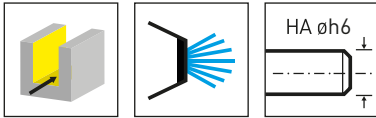
产品型号 Part number	d	l ₂	d ₁	锁紧螺母 Clamping nut	HWS
M313.ER25.14.01	25	19.7	14	ER25.6499	313113R • 313113L
M313.ER32.14.01	32	19.7	14	ER32.6499	313113R • 313113L

tmax和Ds见刀片
tmax and Ds see inserts

铣刀杆不包含夹紧螺母-需要单独订购!
Clamping nut is not combined with milling shank - separate order required!

配件
Spare Parts

铣刀杆 Milling shank	锁紧螺钉 Clamping Screw	TORX PLUS®扳手 TORX PLUS® Wrench
M313...	5.14T20P	T20PQ

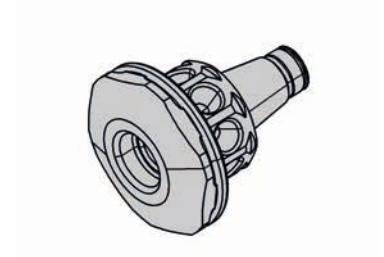
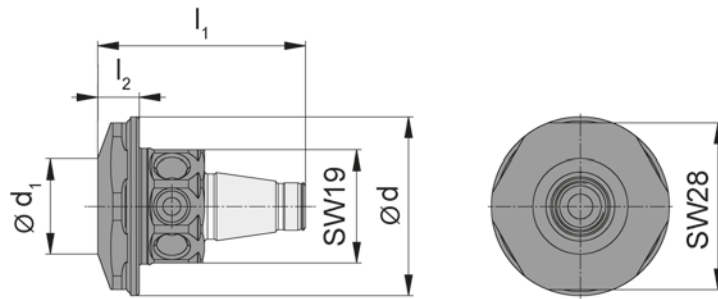


产品型号 Part number	d	l ₁	形式 Form	HWS
M313.0016.D.00A	16	80	A	313113R • 313113L
M313.0020.D.00A	20	80	A	313113R • 313113L

tmax和Ds见刀片
tmax and Ds see inserts

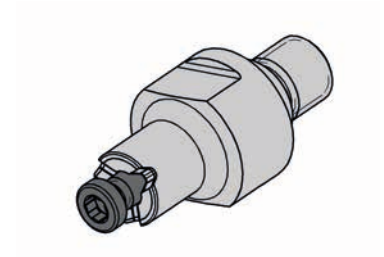
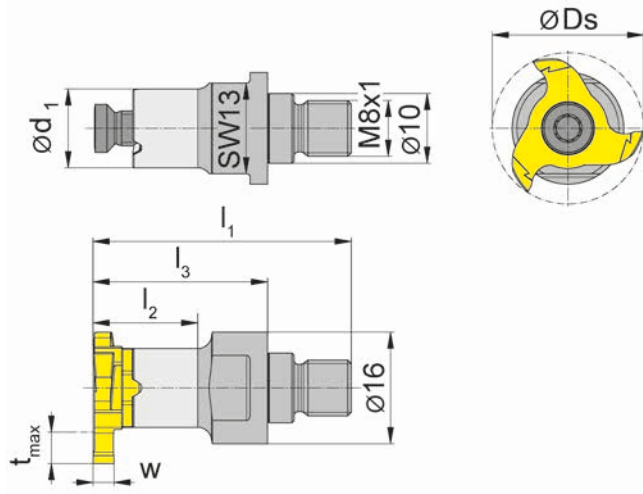
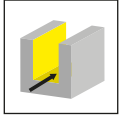
配件
Spare Parts

铣刀杆 Milling shank	锁紧螺钉 Clamping Screw	TORX PLUS®扳手 TORX PLUS® Wrench
M313...	5.14T20P	T20PQ



产品型号 Part number	l_1	l_2	d_1	d
WFB.2012.M081.01	35	7	16	30

配合螺纹锁紧型铣刀
for Screw-in cutter



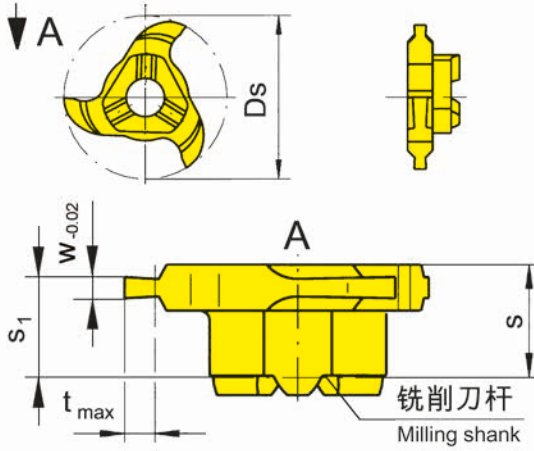
产品型号 Part number	l_1	l_2	l_3	d_1	SW	HWS	HMS
M313.M081.01	37	15	25	11.3	13	313113R • 313113L	8201

w, Ds, tmax 见刀片
w, Ds, tmax see inserts

配件
Spare Parts

螺纹锁紧铣刀 Screw-in cutter	锁紧螺钉 Clamping Screw	TORX PLUS® 扳手 TORX PLUS® Wrench
M313.M081.01	5.14T20P	T20PQ

B



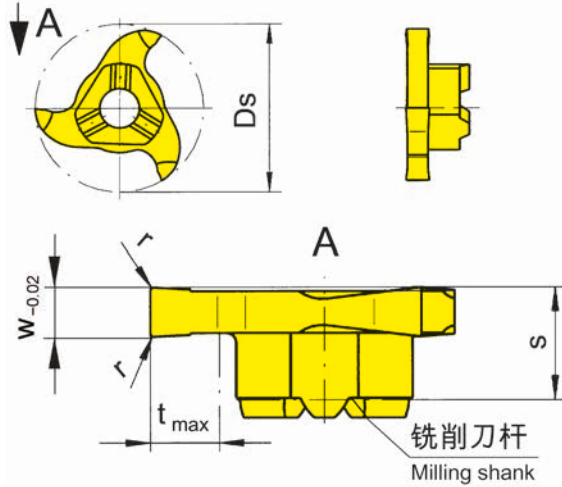
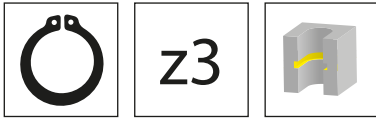
图示=右手型
Picture = right hand cutting version

硬质合金牌号
Carbide grades

▲ 库存
on stock

△ 4周
4 weeks

产品型号 Part number	Ds	Nw	w	s	s ₁	t _{max}	Z	HIS	MG12	EG55	TN35
313.0070.00	21.7	0.7	0.77	5.9	5.6	1.5	3	313113R		▲	▲
313.0080.00	21.7	0.8	0.87	5.9	5.6	1.7	3	313113R		▲	▲
313.0090.00	21.7	0.9	0.97	5.9	5.6	1.9	3	313113R	△	▲	▲
313.0100.00	21.7	1	1.07	5.9	5.6	2.2	3	313113R		▲	▲
313.0110.00	21.7	1.1	1.21	5.9	5.6	2.5	3	313113R		▲	▲
									P	o	●
									M	-	o
									K	-	o
									N	-	-
									S	-	-
									H	-	-



图示=右手型
Picture = right hand cutting version

硬质合金牌号
Carbide grades

▲ 库存
on stock

△ 4周
4 weeks

产品型号 Part number	Ds	Nw	w	s	r	t _{max}	Z	HIS	MG12	AS45	EG55	TI25	TN35
313.0130.00	21.7	1.3	1.41	5.7	-	4.5	3	313113R	▲	▲	▲	▲	▲
313.0160.00	21.7	1.6	1.71	5.7	-	4.5	3	313113R	▲	▲	▲	▲	▲
313.0185.00	21.7	1.85	1.96	5.7	0.2	4.5	3	313113R	▲	▲	▲	▲	▲
313.0215.00	21.7	2.15	2.26	5.7	0.2	4.5	3	313113R	▲	▲	▲	▲	▲
313.0265.00	21.7	2.65	2.76	5.7	0.2	4.5	3	313113R	▲	▲	▲	▲	▲
313.0315.00	21.7	3.15	3.26	5.7	0.2	4.5	3	313113R	▲	▲	▲	▲	▲
313.0415.00	21.7	4.15	4.26	5.7	0.2	4.5	3	313113R	▲	▲	▲	▲	▲
313.0515.00	21.7	5.15	5.26	5.7	0.2	4.5	3	313113R	▲	▲	▲	▲	▲

可以提供浅切深的槽宽0.5mm以下的刀片。
Inserts for widths of groove t_{max} down to 0,5 mm can be delivered with reduced depth upon request.

刀片13.0415.00和13.0515.00

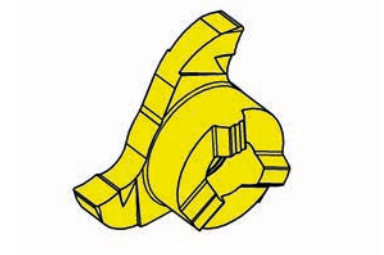
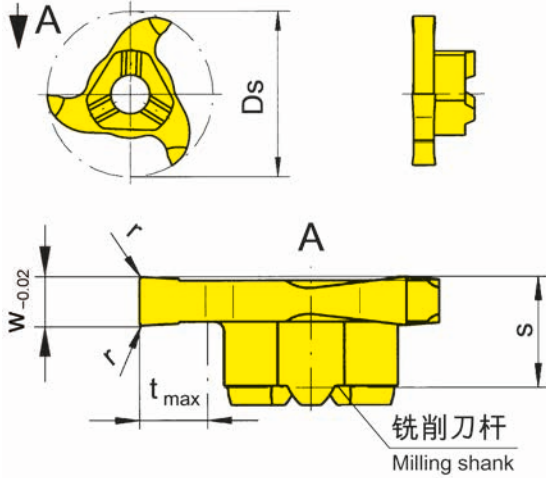
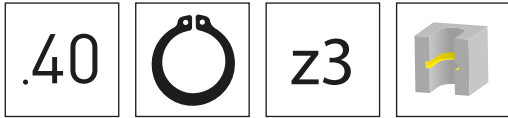
仅用于l2=max.42mm的刀杆

Inserts 313.0415.00 and 313.0515.00

only with toolholder dimension l2 = max. 42 mm

P	○	●	●	●	●
M	-	●	○	●	●
K	-	●	○	●	●
N	-	○	-	●	●
S	-	●	-	●	●
H	-	-	-	-	-

B



图示=右手型
Picture = right hand cutting version

硬质合金牌号
Carbide grades

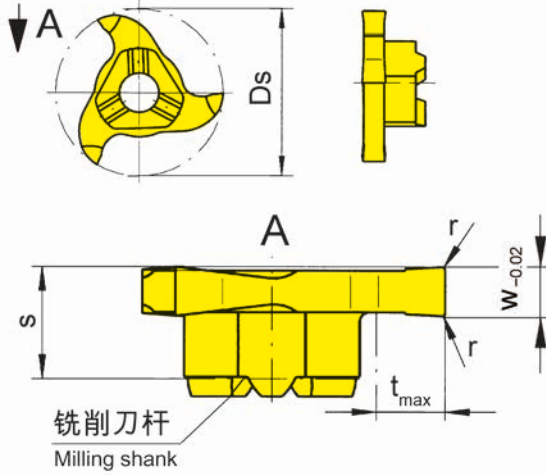
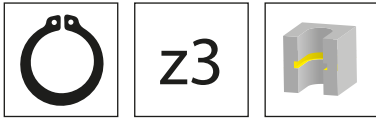
▲ 库存
on stock

△ 4周
4 weeks

产品型号 Part number	Ds	Nw	w	s	r	t _{max}	Z	HIS	MG12	T125
313.0130.40	21.7	1.3	1.41	5.7	-	4.5	3	313113R		▲
313.0160.40	21.7	1.6	1.71	5.7	-	4.5	3	313113R		▲
313.0185.40	21.7	1.85	1.96	5.7	0.2	4.5	3	313113R		▲
313.0215.40	21.7	2.15	2.26	5.7	0.2	4.5	3	313113R		▲
313.0265.40	21.7	2.65	2.76	5.7	0.2	4.5	3	313113R		▲
313.0315.40	21.7	3.15	3.26	5.7	0.2	4.5	3	313113R		▲
313.0415.40	21.7	4.15	4.26	5.7	0.2	4.5	3	313113R	Δ	▲
313.0515.40	21.7	5.15	5.26	5.7	0.2	4.5	3	313113R	Δ	▲

刀片313.0415.40和313.0515.40
仅用于l2=max.42mm的刀杆
Inserts 313.0415.40 and 313.0515.40
only with toolholder dimension l2 = max. 42 mm

P	-	-
M	-	-
K	-	-
N	o	•
S	-	-
H	-	-



图示=左手型切削
Picture = left hand cutting version

硬质合金牌号
Carbide grades
▲ 库存
on stock
△ 4周
4 weeks

产品型号 Part number	Ds	Nw	w	s	r	t _{max}	Z	HIS	AS45	EG55	T125
L313.0130.00	21.7	1.3	1.41	5.7	-	4.5	3	313113L	△	△	
L313.0160.00	21.7	1.6	1.71	5.7	-	4.5	3	313113L	△	△	
L313.0185.00	21.7	1.85	1.96	5.7	0.2	4.5	3	313113L	△	△	
L313.0215.00	21.7	2.15	2.25	5.7	0.2	4.5	3	313113L	△	△	△
L313.0265.00	21.7	2.65	2.76	5.7	0.2	4.5	3	313113L	△	△	
L313.0315.00	21.7	3.15	3.26	5.7	0.2	4.5	3	313113L	△	△	
L313.0415.00	21.7	4.15	4.26	5.7	0.2	4.5	3	313113L	△	△	
L313.0515.00	21.7	5.15	5.26	5.7	0.2	4.5	3	313113L	△	△	

可以提供浅切深的槽宽0.5mm以下的刀片。
Inserts for widths of groove t_{max} down to 0,5 mm can be delivered with reduced depth upon request.

刀片313.0415.00和L313.0515.00

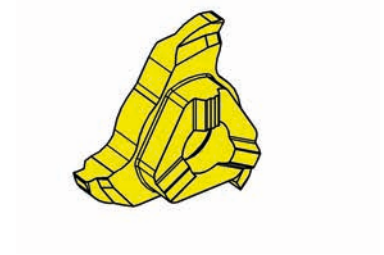
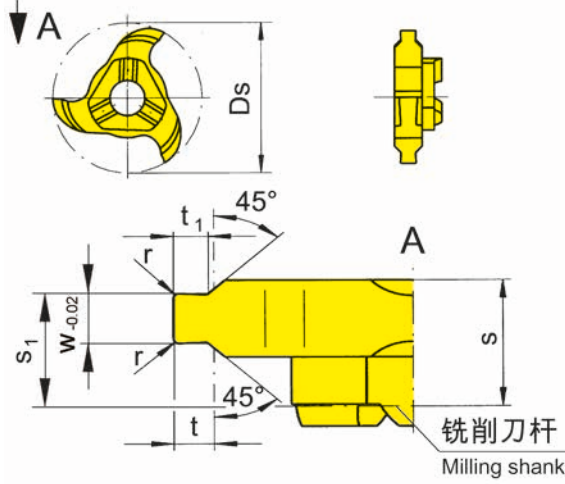
仅用于l2=max.42mm的刀杆

Inserts L313.0415.00 and L313.0515.00

only with toolholder dimension l2 = max. 42 mm

P	●	●	●
M	●	○	●
K	●	○	●
N	○	-	●
S	●	-	●
H	-	-	-

B



图示=右手型
Picture = right hand cutting version

硬质合金牌号
Carbide grades

▲ 库存
on stock

△ 4周
4 weeks

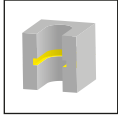
产品型号 Part number	Ds	Nw	w	t ₁	s	s ₁	r	t _{max}	Z	HIS	AS45	EG55	TA45	TN35
313.1105.30	21.7	1.1	1.21	0.47	5.9	5.07	-	0.5	3	313113R		▲		▲
313.1307.30	21.7	1.3	1.41	0.65	5.9	5.17	-	0.7	3	313113R	△	▲		▲
313.1308.30	21.7	1.3	1.41	0.81	5.9	5.17	-	0.85	3	313113R		▲		▲
313.1609.35	21.7	1.6	1.71	0.81	5.9	5.07	-	0.85	3	313113R		▲		▲
313.1610.35	21.7	1.6	1.71	0.95	5.9	5.07	-	1	3	313113R	▲	▲		▲
313.1812.35	21.7	1.85	1.96	1.21	5.9	5.19	0.2	1.25	3	313113R	▲	▲		▲
313.2115.35	21.7	2.15	2.26	1.45	5.9	5.34	0.2	1.5	3	313113R	△	▲	△	▲
313.2616.45	21.7	2.65	2.76	1.45	5.9	5.09	0.2	1.5	3	313113R	▲	▲		▲
313.2617.45	21.7	2.65	2.76	1.7	5.9	5.09	0.2	1.75	3	313113R		▲		▲
313.3118.45	21.7	3.15	3.26	1.7	5.9	5.34	0.2	1.75	3	313113R	△	▲		▲
313.4120.55	21.7	4.15	4.26	1.95	5.9	5.34	0.2	2	3	313113R		▲		▲
313.4125.55	21.7	4.15	4.26	2.45	5.9	5.34	0.2	2.5	3	313113R		▲		▲

刀片313.4120.55和313.4125.55

仅用于l2=max.42mm的刀杆

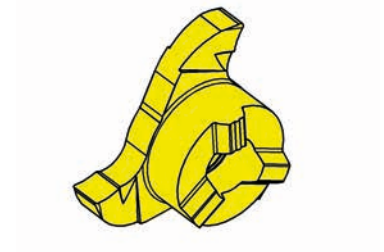
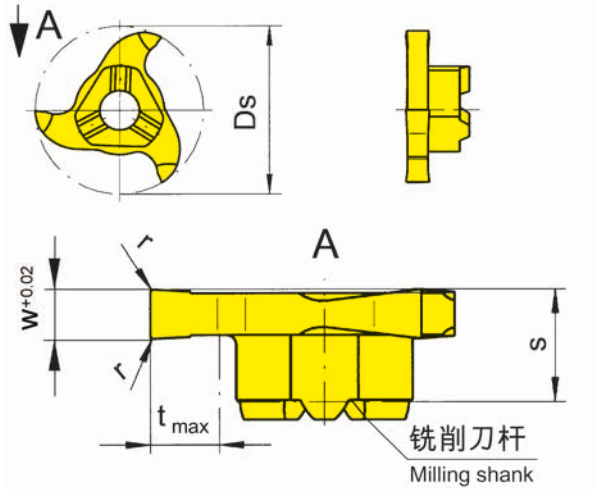
Inserts 313.4120.55 and 313.4125.55
only with toolholder dimension l2 = max. 42 mm

P	●	●	●	●
M	●	○	●	●
K	●	○	●	●
N	○	-	●	●
S	●	-	●	●
H	-	-	-	-



z3

B



图示=右手型
Picture = right hand cutting version

硬质合金牌号
Carbide grades

▲ 库存
on stock

△ 4周
4 weeks

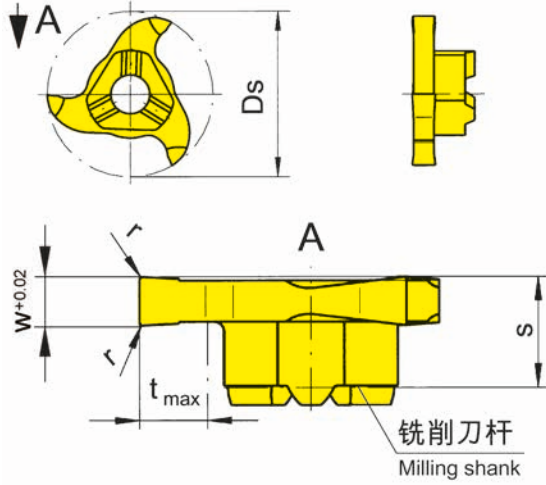
产品型号 Part number	Ds	w	s	r	t _{max}	Z	HIS	MG12	AS45	EG55	TI25	TN35
313.0150.00	21.7	1.5	5.7	-	4.5	3	313113R	▲	▲	▲		▲
313.0150.01	21.7	1.5	5.7	0.1	4.5	3	313113R		▲	▲		
313.0200.00	21.7	2	5.7	0.2	4.5	3	313113R	▲	▲	▲		▲
313.0250.00	21.7	2.5	5.7	0.2	4.5	3	313113R	△	▲	▲	▲	▲
313.0300.00	21.7	3	5.7	0.2	4.5	3	313113R	▲	▲	▲		▲
313.0350.00	21.7	3.5	5.7	0.2	4.5	3	313113R	△	▲	▲	▲	
313.0400.00	21.7	4	5.7	0.2	4.5	3	313113R	▲	▲	▲		▲
313.0500.00	21.7	5	5.7	0.2	4.5	3	313113R		▲	▲		▲
313.0600.00	21.7	6	6.9	0.2	4.5	3	313113R	△	▲	▲		▲

可以提供浅切深的槽宽0.5mm以下的刀片。
Inserts for widths of groove t_{max} down to 0,5 mm can be delivered with reduced depth upon request.

刀片313.0600.00带断屑
Insert 313.0600.00 with chip divider!

P	○	●	●	●	●
M	-	●	○	●	●
K	-	●	○	●	●
N	-	○	-	●	●
S	-	●	-	●	●
H	-	-	-	-	-

B



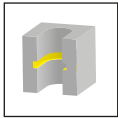
图示=右手型
Picture = right hand cutting version

硬质合金牌号
Carbide grades

▲ 库存
on stock

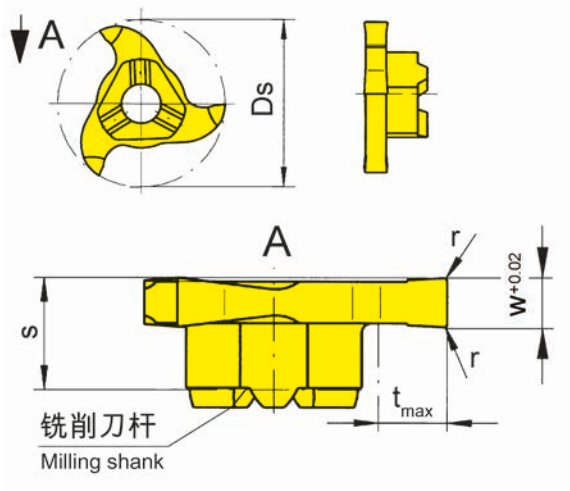
△ 4周
4 weeks

产品型号 Part number	Ds	w	s	r	t _{max}	Z	HIS	T125
313.0150.40	21.7	1.5	5.7	-	4.5	3	313113R	▲
313.0200.40	21.7	2	5.7	0.2	4.5	3	313113R	▲
313.0250.40	21.7	2.5	5.7	0.2	4.5	3	313113R	▲
313.0300.40	21.7	3	5.7	0.2	4.5	3	313113R	▲
313.0400.40	21.7	4	5.7	0.2	4.5	3	313113R	▲
								P -
								M -
								K -
								N ●
								S -
								H -



z3

B



图示=左手型切削
Picture = left hand cutting version

硬质合金牌号
Carbide grades

▲ 库存
on stock

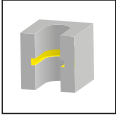
△ 4周
4 weeks

产品型号 Part number	Ds	w	s	r	t _{max}	Z	HIS	MG12	AS45	EG55	T125
L313.0150.00	21.7	1.5	5.7	-	4.5	3	313113L		△	△	
L313.0150.01	21.7	1.5	5.7	0.1	4.5	3	313113L		△	△	
L313.0200.00	21.7	2	5.7	0.2	4.5	3	313113L		△	△	
L313.0250.00	21.7	2.5	5.7	0.2	4.5	3	313113L		△	△	△
L313.0300.00	21.7	3	5.7	0.2	4.5	3	313113L		△	△	
L313.0350.00	21.7	3.5	5.7	0.2	4.5	3	313113L		△	△	△
L313.0400.00	21.7	4	5.7	0.2	4.5	3	313113L		▲	△	
L313.0500.00	21.7	5	5.7	0.2	4.5	3	313113L		△	△	
L313.0600.00	21.7	6	6.9	0.2	4.5	3	313113L	△	△	△	

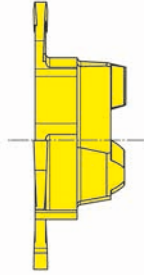
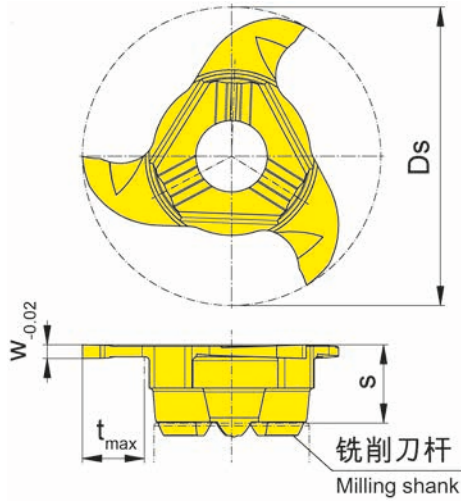
可以提供浅切深的槽宽0.5mm以下的刀片。
Inserts for widths of groove tmax down to 0,5 mm can be delivered with reduced depth upon request.

P	○	●	●	●
M	-	●	○	●
K	-	●	○	●
N	-	○	-	●
S	-	●	-	●
H	-	-	-	-

B



z3



图示=右手型
Picture = right hand cutting version

硬质合金牌号
Carbide grades

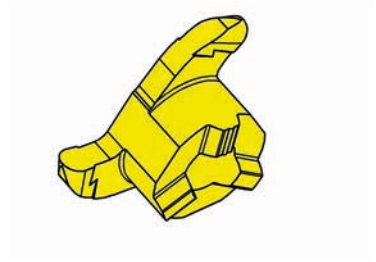
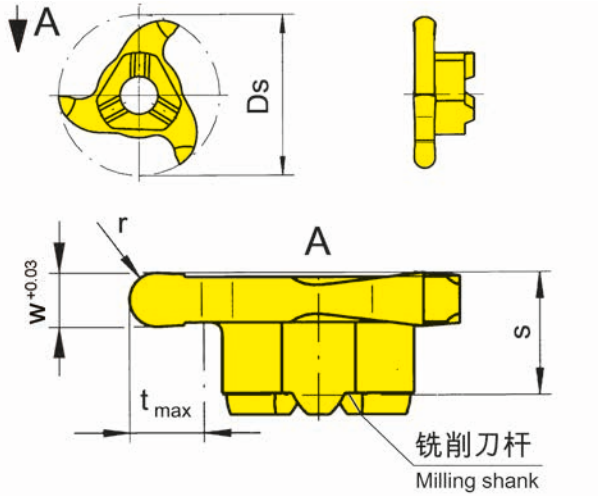
▲ 库存
on stock

△ 4周
4 weeks

产品型号 Part number	Ds	w	s	t _{max}	Z	HIS	EG55	TI25	TN35
313.0100.1.00	21.7	1	5.7	4.5	3	313113R	▲	▲	▲
							P ●	●	●
							M ○	●	●
							K ○	●	●
							N -	●	●
							S -	●	●
							H -	-	-



B



图示=右手型
Picture = right hand cutting version

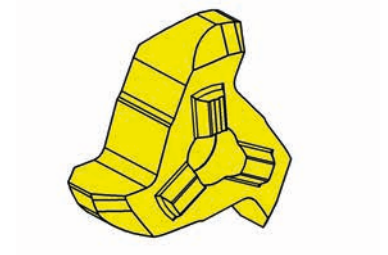
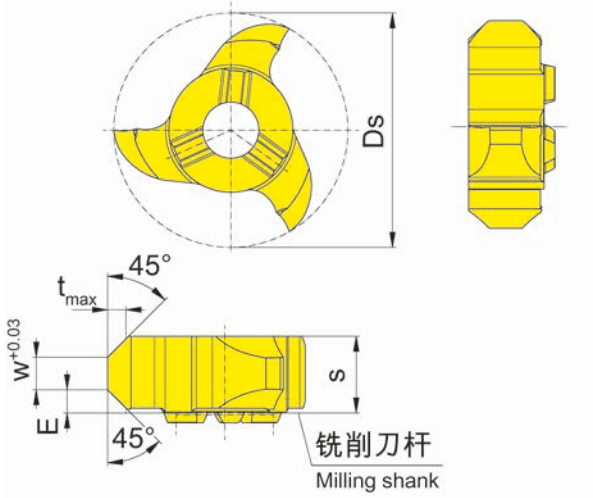
硬质合金牌号
Carbide grades

▲ 库存
on stock

△ 4周
4 weeks

产品型号 Part number	Ds	w	s	r	t _{max}	Z	HIS	AS45	EG55	TN35	
313.0005.10	21.7	1	5.7	0.5	4.5	3	313113R		▲	▲	
313.0007.15	21.7	1.5	5.7	0.75	4.5	3	313113R	▲	▲		
313.0010.20	21.7	2	5.7	1	4.5	3	313113R	▲	▲	▲	
313.0014.28	21.7	2.8	5.7	1.4	4.5	3	313113R	▲	▲	▲	
313.0015.30	21.7	3	5.7	1.5	4.5	3	313113R	▲	▲	▲	
313.0020.40	21.7	4	5.7	2	4.5	3	313113R	▲	▲	▲	
313.0025.50	21.7	5	5.7	2.5	4.5	3	313113R	▲	▲	▲	
								P	●	●	●
								M	●	○	●
								K	●	○	●
								N	○	-	●
								S	●	-	●
								H	-	-	-

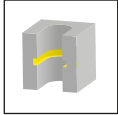
B



图示=右手型
Picture = right hand cutting version

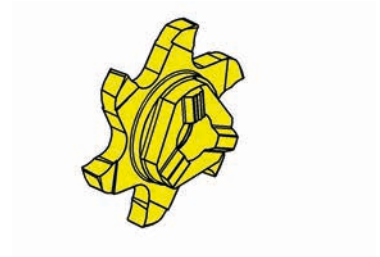
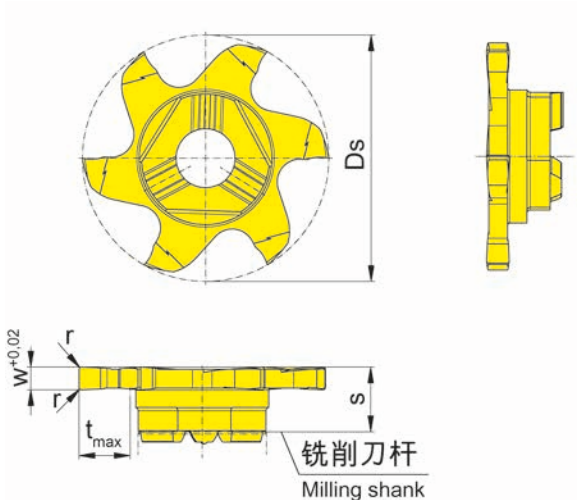
硬质合金牌号
Carbide grades
▲ 库存
on stock
△ 4周
4 weeks

产品型号 Part number	Ds	E	s	w	t _{max}	Z	HIS	EG55	TA45	TN35
313.4545.00	21.7	2.15	7.1	3	1.7	3	313113R	▲	▲	▲
313.4545.30.00	21.7	3.6	9.4	2.6	3	3	313113R	▲	▲	▲
								P ●	●	●
								M ○	●	●
								K ○	●	●
								N -	●	●
								S -	●	●
								H -	-	-



z6

B



图示=右手型
Picture = right hand cutting version

▲ 库存
on stock

硬质合金牌号
Carbide grades
△ 4周
4 weeks

产品型号 Part number	Ds	w	s	r	t _{max}	Z	HIS	AS45	EG55	T125
613.0150.00	21.7	1.5	5.7	-	4.5	6	313113R	▲	▲	▲
613.0200.00	21.7	2	5.7	0.2	4.5	6	313113R	▲	▲	▲
613.0250.00	21.7	2.5	5.7	0.2	4.5	6	313113R	▲	▲	▲
613.0300.00	21.7	3	5.7	0.2	4.5	6	313113R	▲	▲	▲
613.0400.00	21.7	4	5.7	0.2	4.5	6	313113R	▲	▲	▲

2.5mm槽宽以上的刀片是错齿的
from width of groove 2,5 mm toothing with cross-cut

刀片613.0400.00
仅用于l2=max.42mm的刀杆

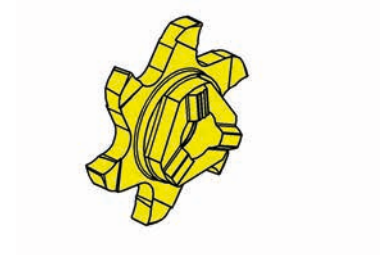
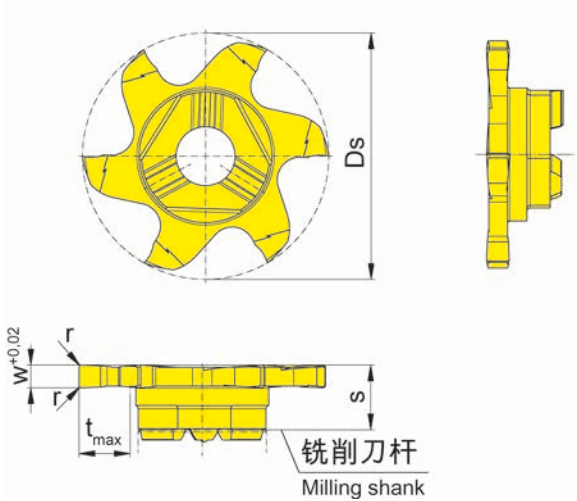
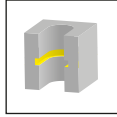
Insert 613.0400.00
only with toolholder dimension l2 = max. 42 mm

P	●	●	●
M	●	○	●
K	●	○	●
N	○	-	●
S	●	-	●
H	-	-	-

B



Z6



图示=右手型
Picture = right hand cutting version

硬质合金牌号
Carbide grades

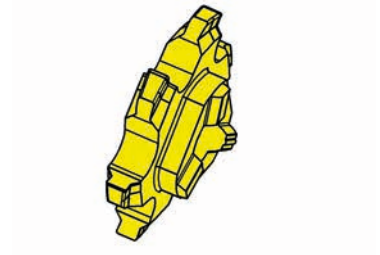
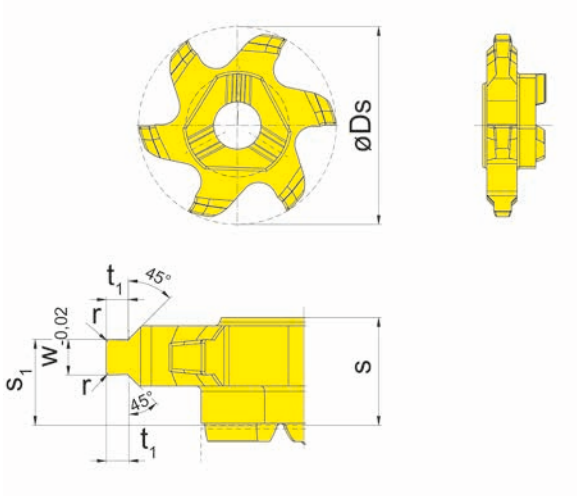
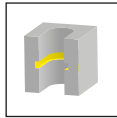
▲ 库存
on stock

△ 4周
4 weeks

产品型号 Part number	Ds	Nw	w	s	t _{max}	Z	HIS	AS45	EG55
613.0130.00	21.7	1.3	1.41	5.7	4.5	6	313113R	▲	▲
613.0215.00	21.7	2.15	2.26	5.7	4.5	6	313113R	▲	▲
613.0315.00	21.7	3.15	3.26	5.7	4.5	6	313113R	▲	▲
613.0415.00	21.7	4.15	4.26	5.7	4.5	6	313113R	▲	▲
613.0515.00	21.7	5.15	5.26	5.7	4.5	6	313113R	▲	▲

可以提供浅切深的槽宽0.5mm以下的刀片。
Inserts for widths of groove t_{max} down to 0,5 mm can be delivered with reduced depth upon request.

P	●	●
M	●	○
K	●	○
N	○	-
S	●	-
H	-	-

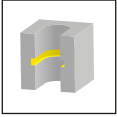


图示=右手型
Picture = right hand cutting version

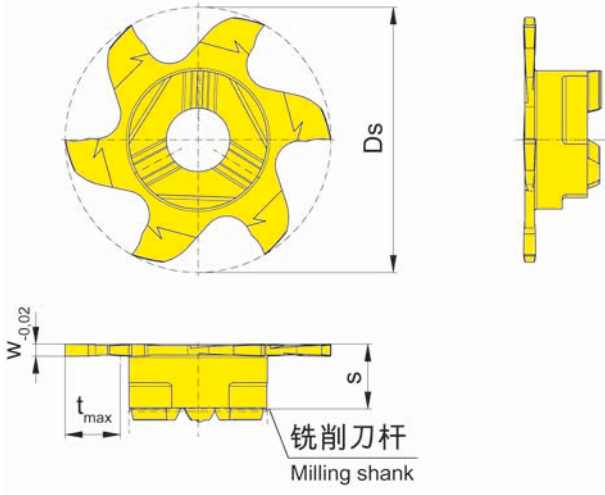
硬质合金牌号
Carbide grades
▲ 库存
on stock
△ 4周
4 weeks

产品型号 Part number	Ds	Nw	w	t ₁	s	s ₁	r	t _{max}	Z	HIS	AS45	EG55
613.1812.35	21.7	1.85	1.96	1.21	5.9	4.7	0.2	1.25	6	313113R	▲	▲
613.2115.35	21.7	2.15	2.26	1.45	5.9	4.9	0.2	1.5	6	313113R	△	▲
											P ● ●	● ●
											M ● ●	● ●
											K ● ●	● ●
											N ○ -	-
											S ● -	-
											H - -	-

B



z6



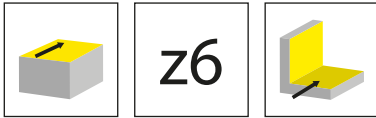
图示=右手型
Picture = right hand cutting version

硬质合金牌号
Carbide grades

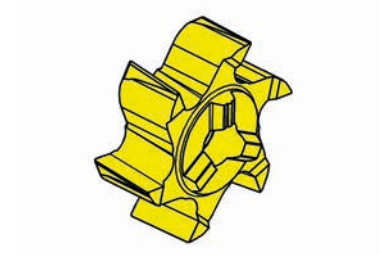
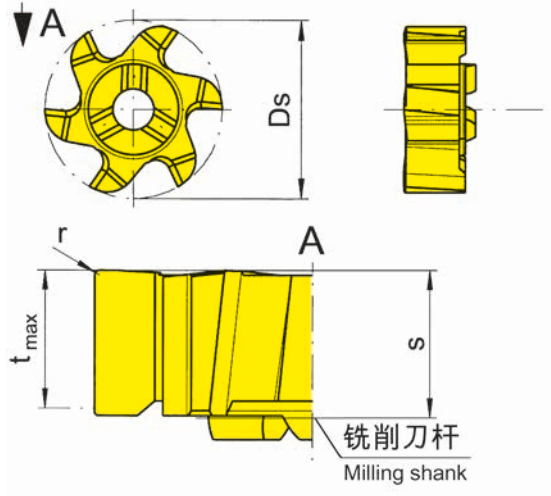
▲ 库存
on stock

△ 4周
4 weeks

产品型号 Part number	Ds	w	s	t _{max}	Z	HIS	EG55	T125
613.0100.1.00	21.7	1	5.7	4.5	6	313113R	▲	▲
							P ●	●
							M ○	●
							K ○	●
							N -	●
							S -	●
							H -	-



B



图示=右手型
Picture = right hand cutting version

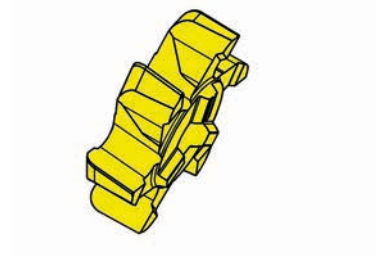
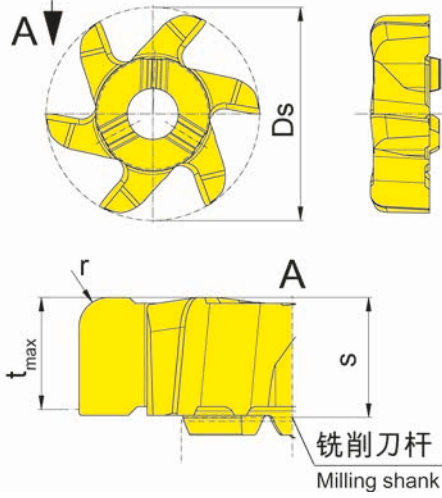
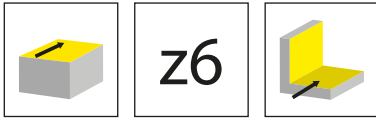
硬质合金牌号
Carbide grades

▲ 库存
on stock

△ 4周
4 weeks

产品型号 Part number	Ds	Z	r	t _{max}	s	HIS	硬质合金牌号 Carbide grades			
							AS45	EG55	TF45	TI25
613.PL61.62	21.7	6	0.2	5.7	6.1	313113R	▲	▲	▲	▲
							P	●	●	●
							M	●	○	●
							K	●	○	●
							N	○	-	●
							S	●	-	●
							H	-	-	-

B



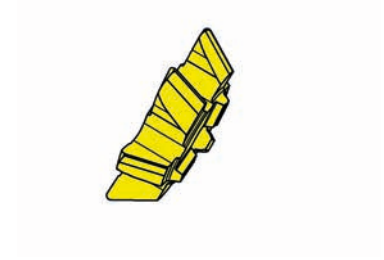
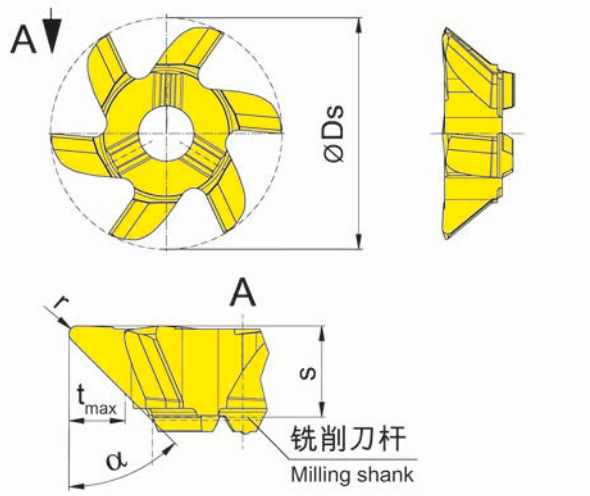
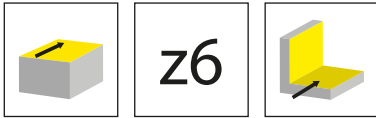
图示=右手型
Picture = right hand cutting version

硬质合金牌号
Carbide grades

▲ 库存
on stock

△ 4周
4 weeks

产品型号 Part number	Ds	Z	r	t _{max}	s	HIS	AS45	EG55	T125
613.PLT6.15	21.7	6	1.5	5.7	6.1	313113R	▲	▲	▲
							P ●	●	●
							M ●	○	●
							K ●	○	●
							N ○	-	●
							S ●	-	●
							H -	-	-



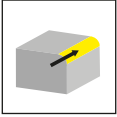
图示=右手型
Picture = right hand cutting version

▲ 库存
on stock

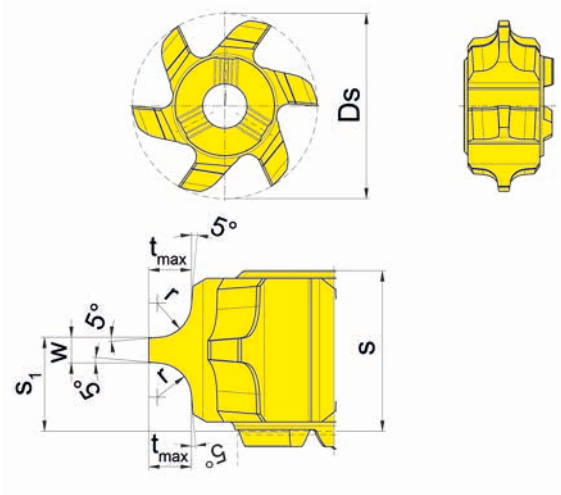
硬质合金牌号
Carbide grades
△ 4周
4 weeks

产品型号 Part number	Ds	Z	r	α	t_{max}	s	HIS	AS45	EG55
613.0015.25	21.7	6	0.5	15°	1.1	5.7	313113R	▲	▲
613.0030.25	21.7	6	0.5	30°	2.3	5.7	313113R	▲	▲
613.0045.25	21.7	6	0.5	45°	3.5	5.7	313113R	▲	▲
								P ● ●	
								M ● ○	
								K ● ○	
								N ○ -	
								S ● -	
								H - -	

B



z6



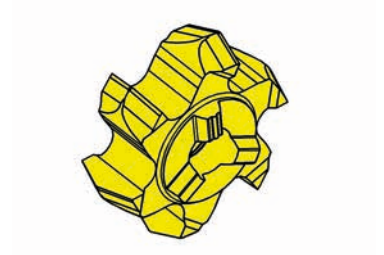
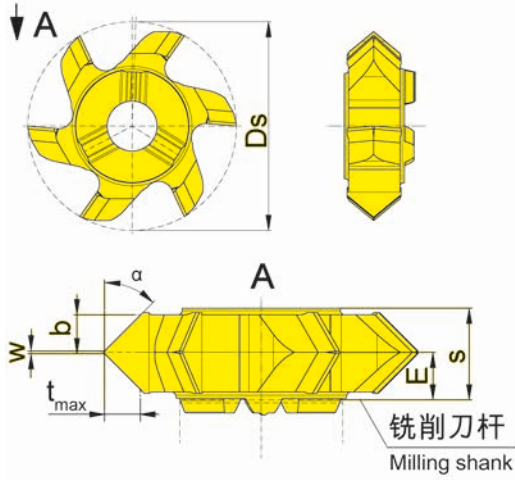
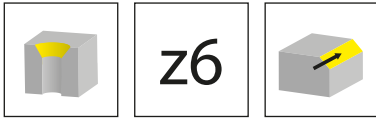
图示=右手型
Picture = right hand cutting version

硬质合金牌号
Carbide grades

▲ 库存
on stock

△ 4周
4 weeks

产品型号 Part number	Ds	w	s	s ₁	r	Z	HIS	AS45
613.R100.00	21.7	1.5	6.3	4	1	6	313113R	▲
613.R150.00	21.7	1.5	7.6	4.6	1.5	6	313113R	▲
613.R200.00	21.7	1.5	9.4	5.5	2	6	313113R	▲
613.R250.00	21.7	1.5	9.9	5.75	2.5	6	313113R	▲
613.R300.00	21.7	1.5	9.9	5.75	3	6	313113R	▲
								P ●
								M ●
								K ●
								N ○
								S ●
								H -

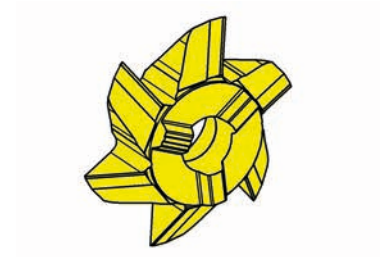
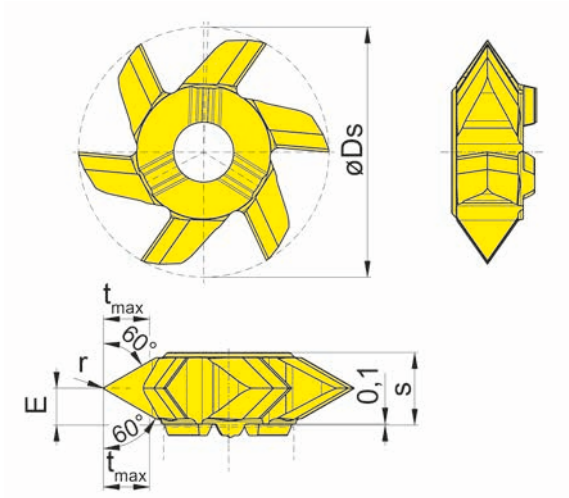
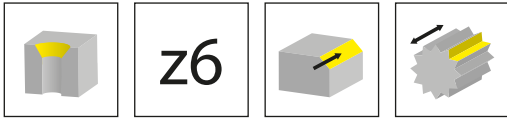


图示=右手型
Picture = right hand cutting version

硬质合金牌号
Carbide grades
▲ 库存
on stock
△ 4周
4 weeks

产品型号 Part number	Ds	E	s	w	α	b	t_{max}	Z	HIS	EG55	TA45	TI25
613.1515.20	21.7	3.3	6.3	0.2	15°	2.7	0.75	6	313113R	▲	▲	
613.2020.20	21.7	3.3	6.3	0.2	20°	2.7	1	6	313113R	▲	▲	
613.3030.20	21.7	3.3	6.3	0.2	30°	2.7	1.6	6	313113R	▲	▲	
613.4545.20	21.7	3.3	6.3	0.2	45°	2.5	2.5	6	313113R	▲		▲
										P	●	●
										M	○	●
										K	○	●
										N	-	●
										S	-	●
										H	-	-

B



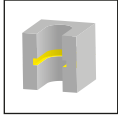
图示=右手型
Picture = right hand cutting version

硬质合金牌号
Carbide grades

▲ 库存
on stock

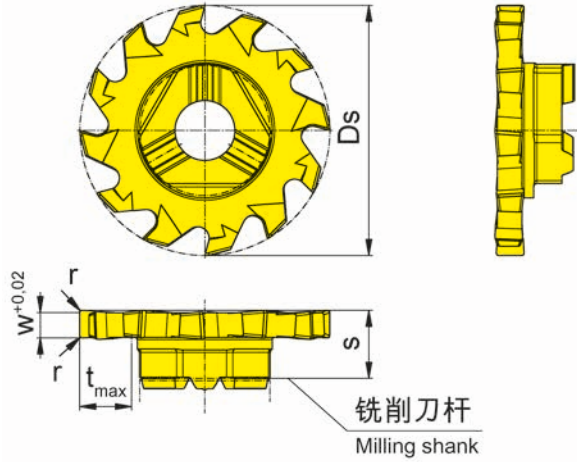
△ 4周
4 weeks

产品型号 Part number	Ds	E	s	r	t _{max}	Z	HIS	AS45
613.6060.05	21.7	3.2	6.3	0.05	4	6	313113R	▲
								P ●
								M ●
								K ●
								N ○
								S ●
								H -



z12

B



图示=右手型
Picture = right hand cutting version

硬质合金牌号
Carbide grades

▲ 库存
on stock

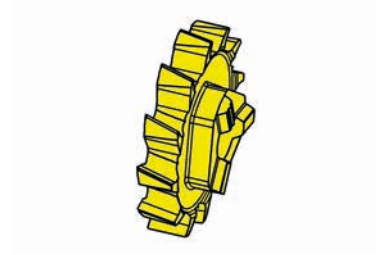
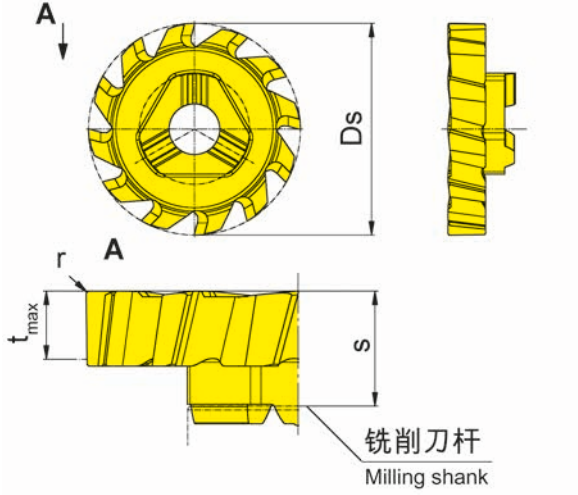
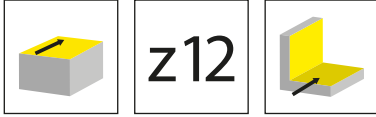
△ 4周
4 weeks

产品型号 Part number	Ds	w	s	r	t _{max}	Z	HIS	AN25	EG35	EG55	IG35	TI25
713.0025.00	21.7	0.25	5.9	-	2.3	12	313113R		▲		△	
713.0030.00	21.7	0.3	5.9	-	2.3	12	313113R		▲		△	
713.0040.00	21.7	0.4	5.9	-	2.3	12	313113R	△		▲		
713.0050.00	21.7	0.5	5.9	-	2.8	12	313113R	△		▲		
713.0060.00	21.7	0.6	5.9	-	4.5	12	313113R		▲		△	
713.0070.00	21.7	0.7	5.9	-	4.5	12	313113R		▲		△	
713.0080.00	21.7	0.8	5.9	-	4.5	12	313113R	△		▲		
713.0090.00	21.7	0.9	5.9	-	4.5	12	313113R		▲		△	
713.0100.00	21.7	1	5.9	-	4.5	12	313113R			▲		▲
713.0150.00	21.7	1.5	5.9	-	4.5	12	313113R			▲		▲
713.0200.00	21.7	2	5.9	0.2	4.5	12	313113R			▲		▲
713.0250.00	21.7	2.5	5.9	0.2	4.5	12	313113R			▲		▲
713.0300.00	21.7	3	5.9	0.2	4.5	12	313113R			▲		▲

2.0mm槽宽以上的刀片是错齿的
from width of groove 2 mm toothing with cross-cut

P	●	●	●	-	●
M	○	●	○	●	●
K	-	○	○	-	●
N	-	-	-	-	●
S	-	-	-	●	●
H	-	-	-	-	-

B

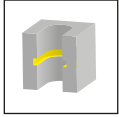


图示=右手型
Picture = right hand cutting version

▲ 库存
on stock

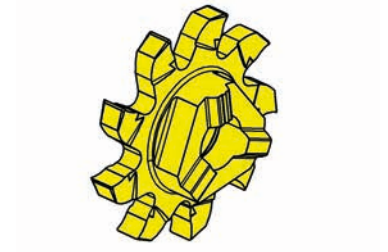
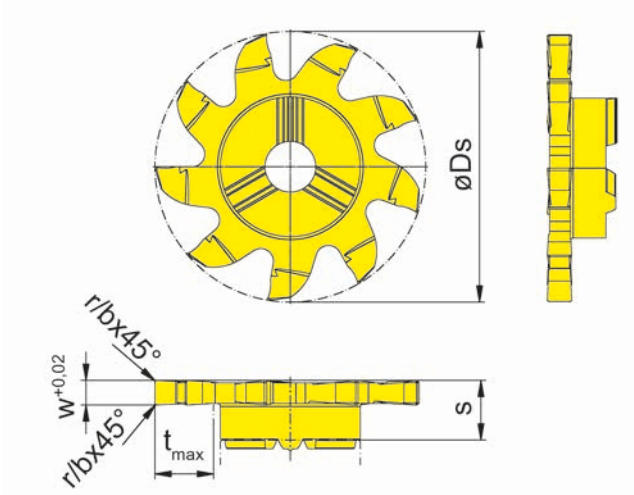
硬质合金牌号
Carbide grades
▲ 4周
4 weeks

产品型号 Part number	Ds	Z	r	t _{max}	s	HIS	EG55	T125
713.PL35.15.02	21.7	12	0.2	3.5	5.9	313113R	▲	▲
							P ● ●	● ●
							M ○ ●	● ●
							K ○ ●	● ●
							N - ●	● ●
							S - ●	● ●
							H - -	- -



z9

B



图示=右手型
Picture = right hand cutting version

硬质合金牌号
Carbide grades

▲ 库存
on stock

△ 4周
4 weeks

产品型号 Part number	Ds	w	s	b x 45°	r	t _{max}	Z	HIS	EG55	IG65
913.0150.00	21.7	1.5	5.7	0.05	-	4.5	9	313113R	▲	△
913.0200.00	21.7	2	5.7	-	0.2	4.5	9	313113R	▲	△
913.0250.00	21.7	2.5	5.7	-	0.2	4.5	9	313113R	▲	△
913.0300.00	21.7	3	5.7	-	0.2	4.5	9	313113R	▲	△
									P ● ●	
									M ○ ●	
									K ○ -	
									N - -	
									S - ○	
									H - -	

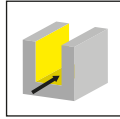
槽铣削(圆弧插补铣削)

Groove Milling by circular interpolation



B

铣刀杆
Milling shank
M328/M328.ST/
M328.ER

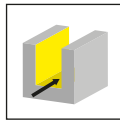


页/Page
152-157

常规刀柄
Basic Holder
WFB

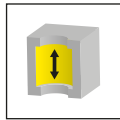
页/Page
158

螺纹锁紧铣刀
Screw-in cutter
M328.M

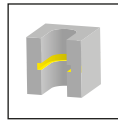


页/Page
159

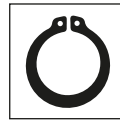
刀片
Insert
325/328/628/928



页/Page
160



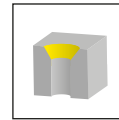
页/Page
161, 164-165,
170-172, 175



页/Page
162, 169



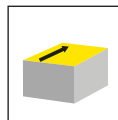
页/Page
163



页/Page
166, 174



页/Page
167-168



页/Page
173

M328



铣刀杆

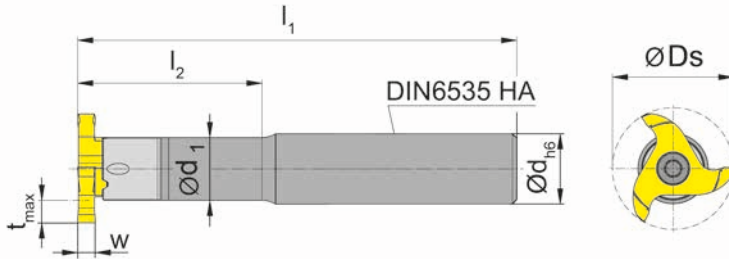
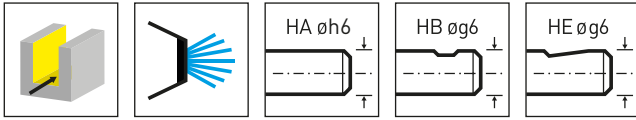
带可转位刀片

孔径自 \varnothing 28 mm

Milling shank with
exchangeable insert

from bore \varnothing 28 mm

B



产品型号 Part number	d	l ₁	l ₂	d ₁	形式 Form	HWS
M328.0016.01A	16	100	42	14.3	A	328143R
M328.0016.02A	16	130	60	14.3	A	328143R
M328.0016.03A	16	160	85	14.3	A	328143R
M328.0020.01A	20	100	42	14.3	A	328143R
M328.0020.02A	20	130	60	14.3	A	328143R
M328.0020.03A	20	160	85	14.3	A	328143R
M328.0016.01B	16	100	42	14.3	B	328143R
M328.0016.02B	16	130	60	14.3	B	328143R
M328.0016.03B	16	160	85	14.3	B	328143R
M328.0020.01B	20	100	42	14.3	B	328143R
M328.0020.02B	20	130	60	14.3	B	328143R
M328.0020.03B	20	160	85	14.3	B	328143R
M328.0016.01E	16	100	42	14.3	E	328143R
M328.0016.02E	16	130	60	14.3	E	328143R
M328.0016.03E	16	160	85	14.3	E	328143R
M328.0020.01E	20	100	42	14.3	E	328143R
M328.0020.02E	20	130	60	14.3	E	328143R
M328.0020.03E	20	160	85	14.3	E	328143R

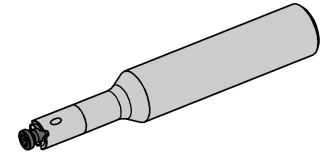
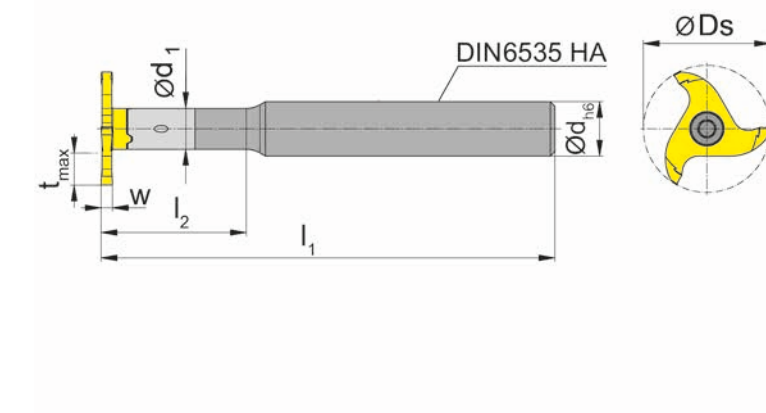
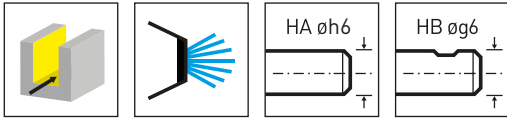
w, Ds, tmax 见刀片
w, Ds, tmax see inserts

配件
Spare Parts

铣刀杆 Milling shank	锁紧螺钉 Clamping Screw	TORX PLUS® 扳手 TORX PLUS® Wrench
M328...	5.14T20P	T20PQ

铣刀杆 Milling shank

M328



产品型号 Part number	d	l ₁	l ₂	d ₁	形式 Form	HWS
M328.0909.01A	9	114.3	-	9	A	328114R
M328.0912.01A	12	100	32	9	A	328114R
M328.0912.01B	12	100	32	9	B	328114R

w, Ds, tmax 见刀片

w, Ds, tmax see inserts

M328.0909.01A=无内冷!

Toolholder M328.0909.01A = no through coolant supply!

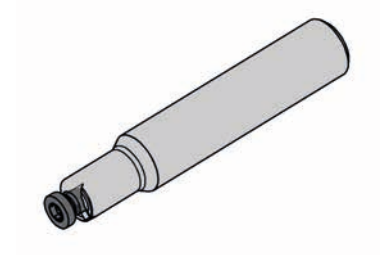
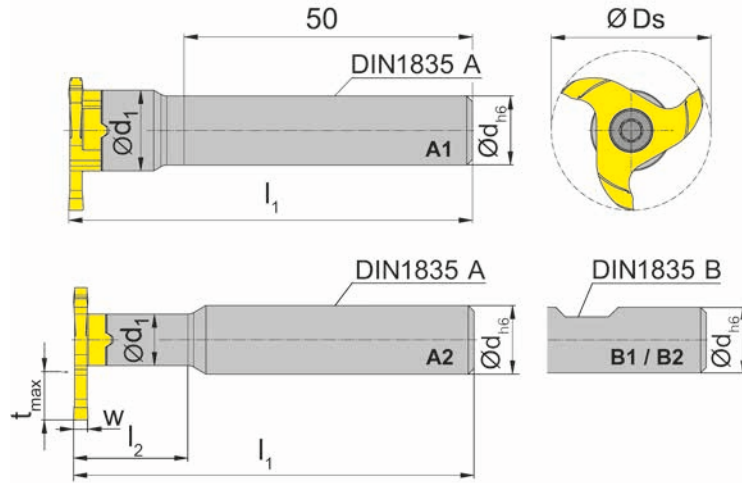
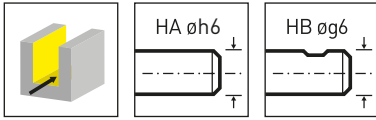
配件

Spare Parts

铣刀杆 Milling shank	锁紧螺钉 Clamping Screw	TORX PLUS® 扳手 TORX PLUS® Wrench
M328...	5.14T20P	T20PQ

B

B

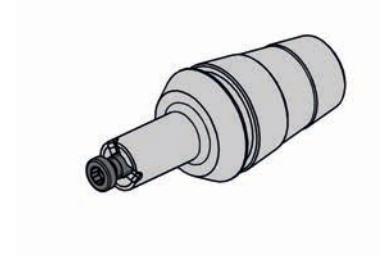
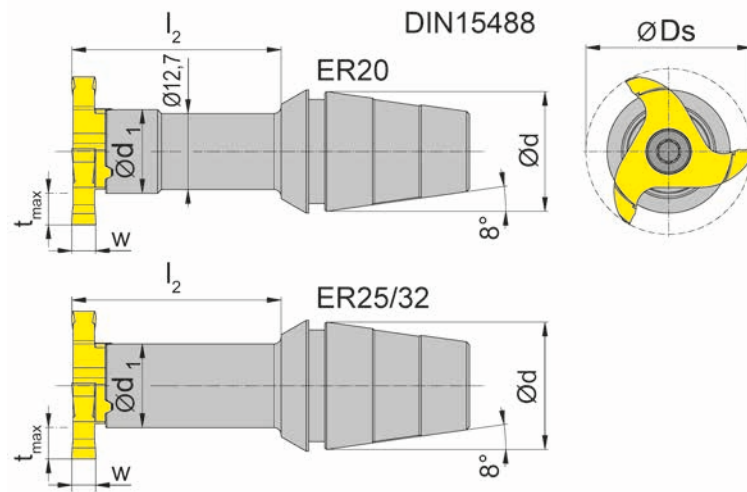
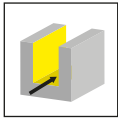


产品型号 Part number	d	l ₁	l ₂	d ₁	形式 Form	HWS
M328.ST12.01A	12	70	-	14	A1	328143R
M328.ST13.01A	13	70	-	14	A1	328143R
M328.ST12.2.01A	12	70	20	9	A2	328114R
M328.ST16.01A	16	90	36	14	A2	328143R
M328.ST20.01A	20	100	36	14	A2	328143R
M328.ST12.01B	12	70	-	14	B1	328143R
M328.ST12.2.01B	12	70	20	9	B2	328114R
M328.ST16.01B	16	90	36	14	B2	328143R
M328.ST20.01B	20	100	36	14	B2	328143R

w, Ds, tmax见刀片
w, Ds, tmax see inserts

配件
Spare Parts

铣刀杆 Milling shank	锁紧螺钉 Clamping Screw	TORX PLUS®扳手 TORX PLUS® Wrench
M328...	5.14T20P	T20PQ



产品型号 Part number	d	l ₂	d ₁	锁紧螺母 Clamping nut	HWS
M328.ER20.02	20	35	14	ER20.6499/ERM20.6499	328114R
M328.ER25.02	25	35	14	ER25.6499	328114R
M328.ER32.02	32	35	14	ER32.6499	328114R

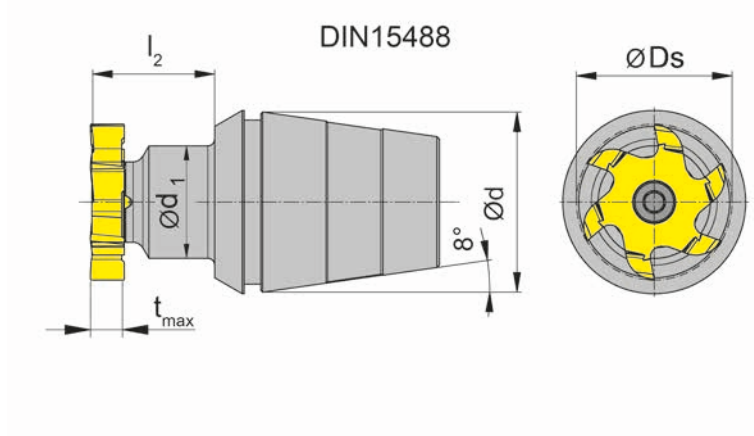
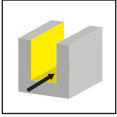
w, Ds, tmax 见刀片
w, Ds, tmax see inserts

铣刀杆不包含夹紧螺母-需要单独订购!
Clamping nut is not combined with milling shank - separate order required!

配件
Spare Parts

铣刀杆 Milling shank	锁紧螺钉 Clamping Screw	TORX PLUS® 扳手 TORX PLUS® Wrench
M328...	5.14T20P	T20PQ

B



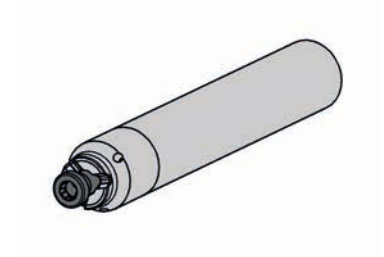
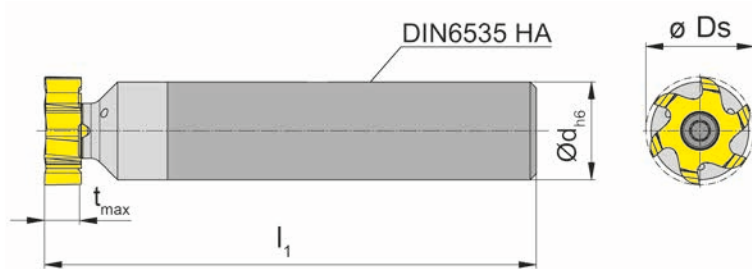
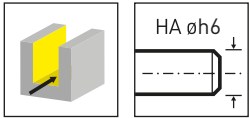
产品型号 Part number	d	l_2	d_1	锁紧螺母 Clamping nut	HWS
M328.ER25.16.01	25	21.7	15	ER25.6499	328114R
M328.ER32.16.01	32	21.7	20	ER32.6499	328114R

tmax和Ds见刀片
tmax and Ds see inserts

铣刀杆不包含夹紧螺母-需要单独订购!
Clamping nut is not combined with milling shank - separate order required!

配件
Spare Parts

铣刀杆 Milling shank	锁紧螺钉 Clamping Screw	TORX PLUS®扳手 TORX PLUS® Wrench
M328...	5.14T20P	T20PQ

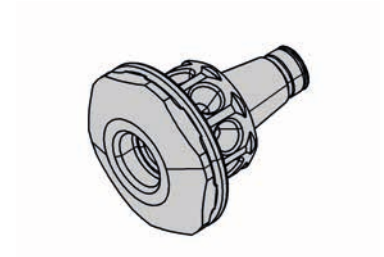
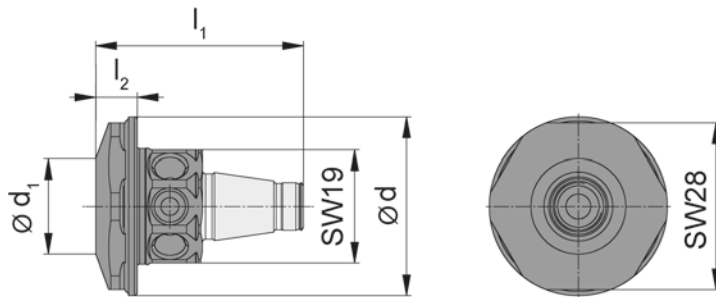


产品型号 Part number	d	l_1	形式 Form	HWS
M328.0016.D.00A	16	80	A	328143R
M328.0020.D.00A	20	80	A	328143R

tmax和Ds见刀片
tmax and Ds see inserts

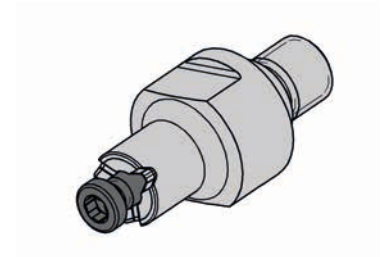
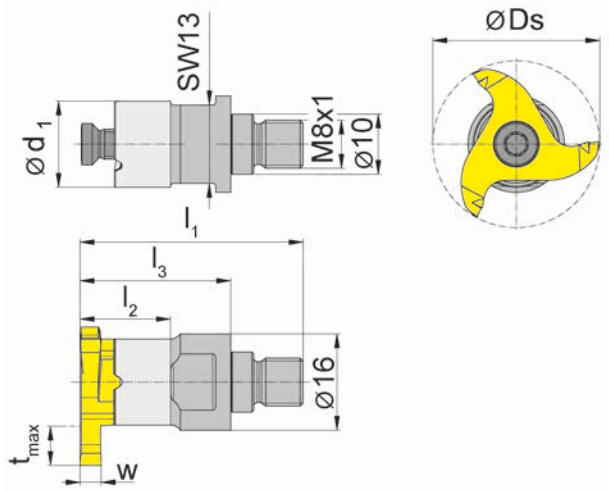
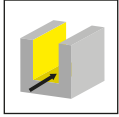
配件
Spare Parts

铣刀杆 Milling shank	锁紧螺钉 Clamping Screw	TORX PLUS®扳手 TORX PLUS® Wrench
M328...	5.14T20P	T20PQ



产品型号 Part number	l_1	l_2	d_1	d
WFB.2012.M081.01	35	7	16	30

配合螺纹锁紧型铣刀
for Screw-in cutter



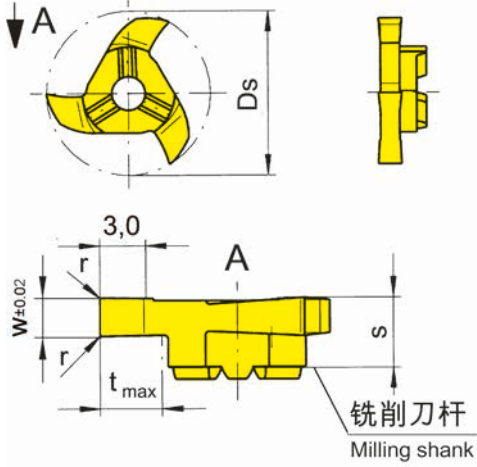
产品型号 Part number	l_1	l_2	l_3	d_1	SW	HWS
M328.M081.01	37	15	25	14.3	13	328143R

w, Ds, tmax 见刀片
w, Ds, tmax see inserts

配件
Spare Parts

螺纹锁紧铣刀 Screw-in cutter	锁紧螺钉 Clamping Screw	TORX PLUS® 扳手 TORX PLUS® Wrench
M328.M081.01	5.14T20P	T20PQ

B



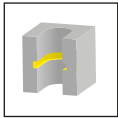
图示=右手型
Picture = right hand cutting version

硬质合金牌号
Carbide grades

▲ 库存
on stock

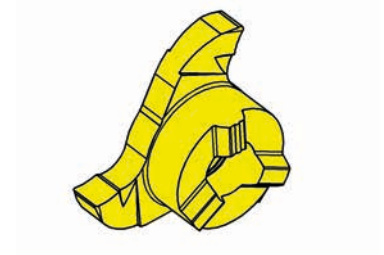
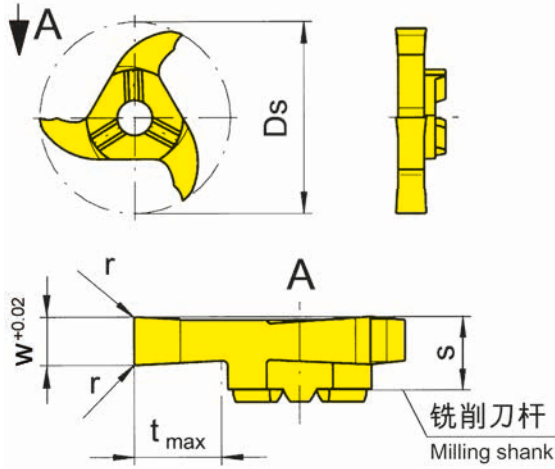
△ 4周
4 weeks

产品型号 Part number	Ds	w	s	r	t _{max}	Z	HIS	AS45	TN35
325.0350.52	24.8	3.5	5.7	0.2	5	3	328143R	▲	▲
								P ● ●	● ●
								M ● ●	● ●
								K ● ●	● ●
								N ○ ●	● ●
								S ● ●	● ●
								H - -	- -



z3

B



图示=右手型
Picture = right hand cutting version

硬质合金牌号
Carbide grades
▲ 库存 on stock
△ 4周 4 weeks

产品型号 Part number	Ds	w	s	r	t _{max}	Z	HIS	AS45	TN35
328.0200.00	27.7	2	5.7	0.2	6.5	3	328143R	▲	▲
328.0250.00	27.7	2.5	5.7	0.2	6.5	3	328143R	▲	▲
328.0300.00	27.7	3	5.7	0.2	6.5	3	328143R	▲	▲
328.0350.00	27.7	3.5	5.7	0.2	6.5	3	328143R	▲	▲
328.0400.00	27.7	4	5.7	0.2	6.5	3	328143R	▲	▲
328.0500.00	27.7	5	5.7	0.2	6.5	3	328143R	▲	▲
328.0600.00	27.7	6	7	0.2	6.5	3	328143R	▲	▲
328.1000.00	27.7	10	10	0.2	6.5	3	328143R	▲	▲

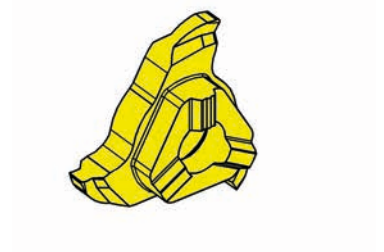
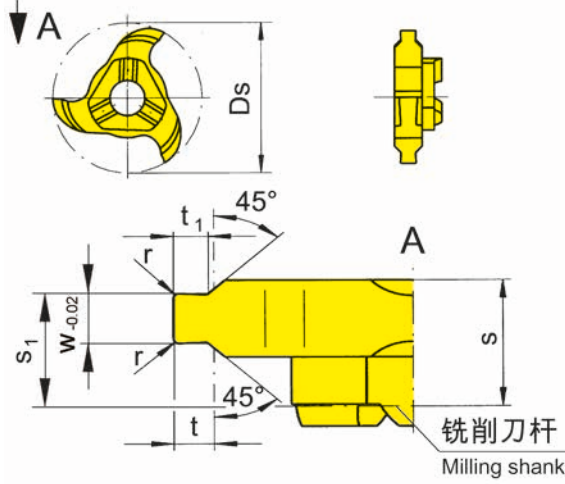
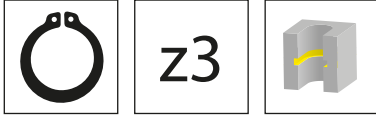
刀片328.1000.00是错齿的(有效齿数Z=1)，刀片328.0600.00带有断屑器(有效齿数Z=3)！
Insert 328.1000.00 with staggered tooth (Z=1) and insert 328.0600.00 with chip divider (Z=3)!

刀片宽度 w = 2 - 6 mm 使用螺钉 4.14T20P
刀片宽度 w = 7 - 8 mm 使用螺钉 5.17T20P
刀片宽度 w = 10 mm 使用螺钉 5.13T20P

For Insert w = 2 - 6 mm use screw 4.14T20P
For Insert w = 7 - 8 mm use screw 5.17T20P
For Insert w = 10 mm use screw 5.13T20P

P	●	●
M	●	●
K	●	●
N	○	●
S	●	●
H	-	-

B



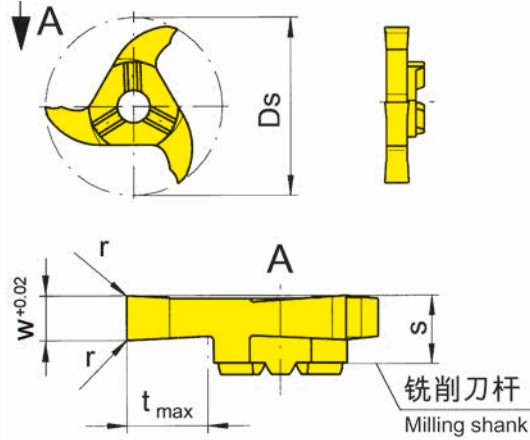
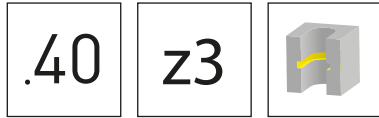
图示=左手型切削
Picture = left hand cutting version

硬质合金牌号
Carbide grades

▲ 库存
on stock

△ 4周
4 weeks

产品型号 Part number	Ds	Nw	w	t ₁	s	s ₁	r	t _{max}	Z	HIS	AS45
328.1307.30	27.7	1.3	1.41	0.65	5.95	4.9	-	0.7	3	328143R	▲
328.1812.35	27.7	1.85	1.96	1.21	5.95	5.1	0.2	1.25	3	328143R	▲
											P ●
											M ●
											K ●
											N ○
											S ●
											H -



图示=右手型
Picture = right hand cutting version

硬质合金牌号
Carbide grades

▲ 库存
on stock

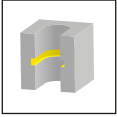
△ 4周
4 weeks

产品型号 Part number	Ds	w	s	r	t _{max}	Z	HIS	T125
328.0250.40	27.7	2.5	5.7	0.2	6.5	3	328143R	▲
328.0300.40	27.7	3	5.7	0.2	6.5	3	328143R	▲
328.0350.40	27.7	3.5	5.7	0.2	6.5	3	328143R	▲
328.0400.40	27.7	4	5.7	0.2	6.5	3	328143R	▲

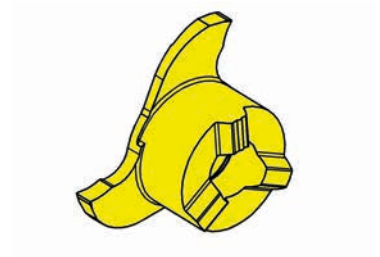
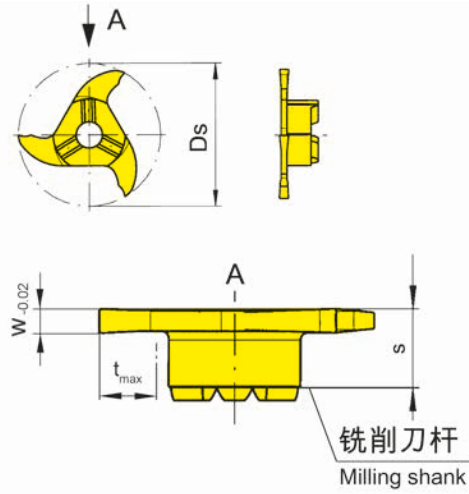
可以提供浅切深的槽宽0.5mm以下的刀片。
Inserts for widths of groove t_{max} down to 0,5 mm can be delivered with reduced depth upon request.

P	-
M	-
K	-
N	●
S	-
H	-

B



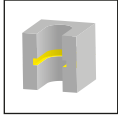
z3



图示=右手型
Picture = right hand cutting version

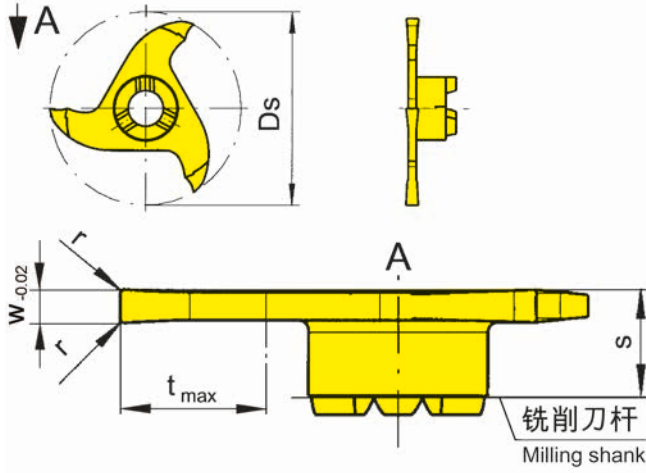
硬质合金牌号
Carbide grades
▲ 库存
on stock
△ 4周
4 weeks

产品型号 Part number	Ds	w	s	t _{max}	Z	HIS		T125	TN35
328.0082.1.00	27.7	0.82	5.7	5	3	328143R		▲	▲
							P	●	●
							M	●	●
							K	●	●
							N	●	●
							S	●	●
							H	-	-



z3

B



图示=右手型
Picture = right hand cutting version

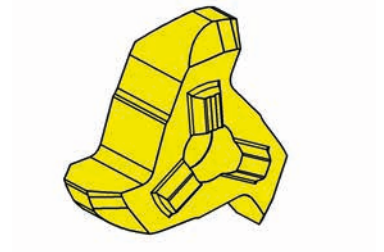
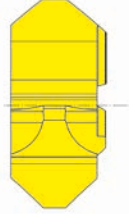
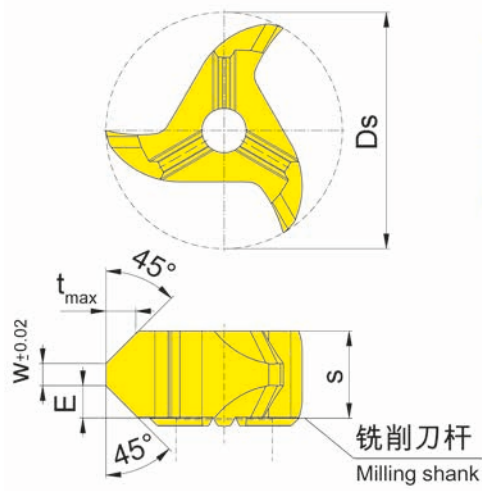
硬质合金牌号
Carbide grades

▲ 库存
on stock

△ 4周
4 weeks

产品型号 Part number	Ds	w	s	r	t _{max}	Z	HIS	AS45	TI25	TN35
328.0110.2.00	28	1.1	5.7	0.2	9.3	3	328114R		▲	▲
328.0120.2.00	28	1.2	5.7	0.2	9.3	3	328114R		▲	▲
328.0132.2.00	28	1.32	5.7	0.15	9.3	3	328114R		▲	▲
328.0150.2.00	28	1.5	5.7	0.2	9.3	3	328114R	▲	▲	▲
328.0160.2.00	28	1.6	5.7	0.2	9.3	3	328114R	▲	▲	▲
328.0200.2.00	28	2	5.7	0.2	9.3	3	328114R	▲	▲	▲
328.0250.2.00	28	2.5	5.7	0.2	9.3	3	328114R	▲	▲	▲
								P	●	●
								M	●	●
								K	●	●
								N	○	○
								S	●	●
								H	-	-

B



图示=右手型
Picture = right hand cutting version

硬质合金牌号
Carbide grades

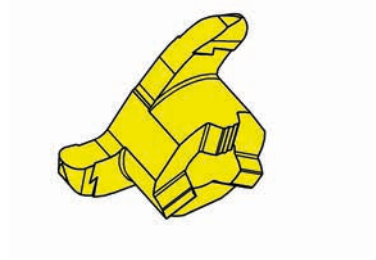
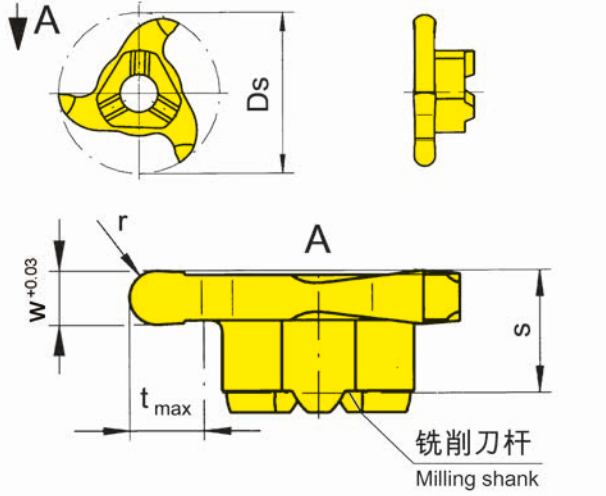
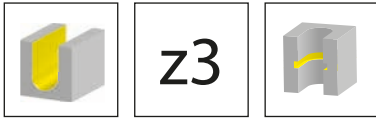
▲ 库存
on stock

△ 4周
4 weeks

产品型号 Part number	Ds	E	s	w	t _{max}	Z	HIS	TA45
328.4545.35.00	27.7	3.8	10.2	2.6	3.5	3	328143R	▲

刀片328.4545.35.00 必须使用加长螺钉 5.13T20P.
For insert 328.4545.35.00 please use only the longer screw 5.13T20P.

P	●
M	●
K	●
N	●
S	●
H	-



图示=右手型
Picture = right hand cutting version

硬质合金牌号
Carbide grades

▲ 库存
on stock

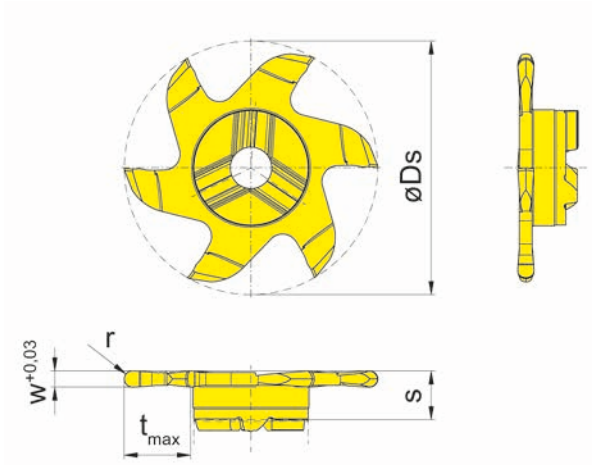
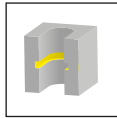
△ 4周
4 weeks

产品型号 Part number	Ds	w	s	r	t _{max}	Z	HIS	AS45
328.0010.20	27.7	2	5.7	1	6.5	3	328143R	▲
328.0014.28	27.7	2.8	5.7	1.4	6.5	3	328143R	▲
328.0015.30	27.7	3	5.7	1.5	6.5	3	328143R	▲
328.0020.40	27.7	4	5.7	2	6.5	3	328143R	▲
								P ●
								M ●
								K ●
								N ○
								S ●
								H -

B



z6



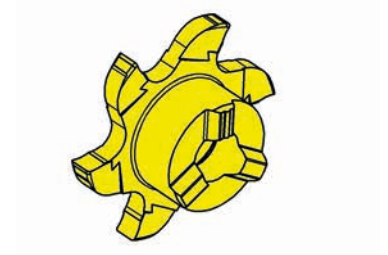
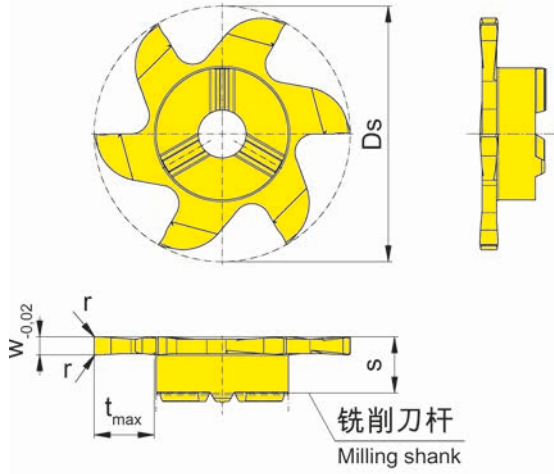
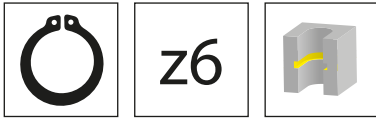
图示=右手型
Picture = right hand cutting version

硬质合金牌号
Carbide grades

▲ 库存
on stock

△ 4周
4 weeks

产品型号 Part number	Ds	w	s	r	t _{max}	Z	HIS	AS45
628.0010.20	27.7	2	6.1	1	6.5	6	328143R	▲
628.0015.30	27.7	3	6.1	1.5	6.5	6	328143R	▲
628.0020.40	27.7	4	6.1	2	6.5	6	328143R	▲
								P ●
								M ●
								K ●
								N ○
								S ●
								H -



图示=右手型
Picture = right hand cutting version

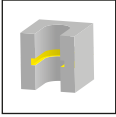
硬质合金牌号
Carbide grades

▲ 库存
on stock

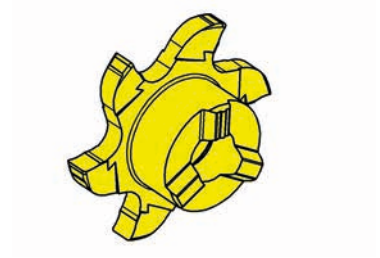
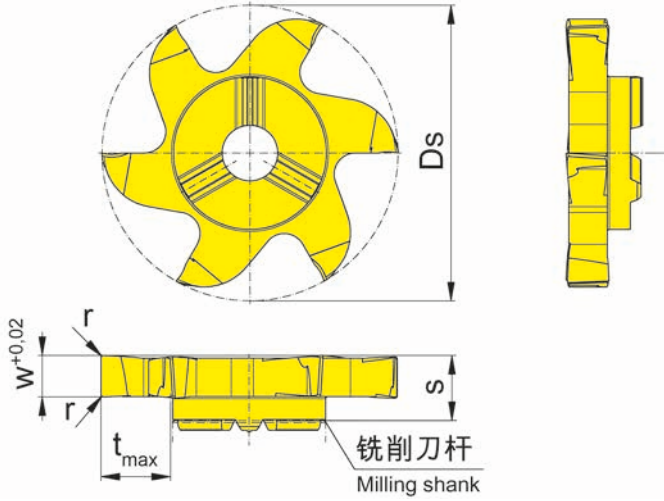
△ 4周
4 weeks

产品型号 Part number	Ds	Nw	w	s	r	t _{max}	Z	HIS	AN25	AS45	RC25	T125
628.0080.00	27.7	0.8	0.8	6.1	-	6.5	6	328143R	△		▲	
628.0130.00	27.7	1.3	1.41	6.1	-	6.5	6	328143R		▲		▲
628.0160.00	27.7	1.6	1.71	6.1	-	6.5	6	328143R		▲		▲
628.0185.00	27.7	1.85	1.96	6.1	0.2	6.5	6	328143R		▲		▲
628.0215.00	27.7	2.15	2.26	6.1	0.2	6.5	6	328143R		▲		▲
628.0265.00	27.7	2.65	2.76	6.1	0.2	6.5	6	328143R		▲		▲
P	●	●	●	●	●	●	●	●	●	●	●	●
M	○	●	●	●	●	●	●	●	●	●	●	●
K	-	●	●	●	●	●	●	●	●	●	●	●
N	-	○	-	-	-	-	-	-	-	-	-	-
S	-	●	-	-	-	-	-	-	-	-	-	-
H	-	-	-	-	-	-	-	-	-	-	-	-

B



z6



图示=右手型
Picture = right hand cutting version

硬质合金牌号
Carbide grades
▲ 库存
on stock
△ 4周
4 weeks

产品型号 Part number	D _s	w	s	r	t _{max}	Z	HIS	AS45	TH35	T125
628.0150.00	27.7	1.5	6.1	-	6.5	6	328143R	▲		
628.0200.00	27.7	2	6.1	0.2	6.5	6	328143R	▲		
628.0250.00	27.7	2.5	6.1	0.2	6.5	6	328143R	▲		▲
628.0300.00	27.7	3	6.1	0.2	6.5	6	328143R	▲		▲
628.0350.00	27.7	3.5	6.1	0.2	6.5	6	328143R	▲		▲
628.0400.00	27.7	4	6.1	0.2	6.5	6	328143R	▲	▲	▲

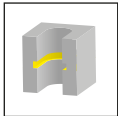
可以提供浅切深的槽宽0.5mm以下的刀片。
Inserts for widths of groove t_{max} down to 0,5 mm can be delivered with reduced depth upon request.

刀片628.0400.00

仅用于l₂=max.42mm的刀杆

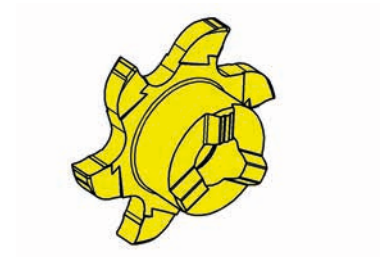
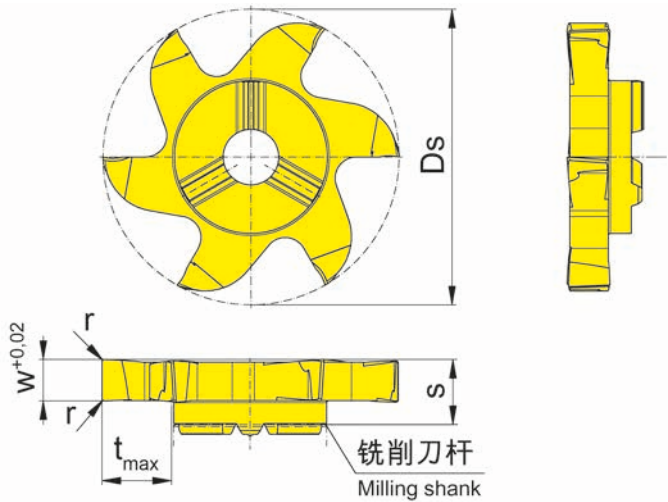
Insert 628.0400.00
only with toolholder dimension l₂ = max. 42 mm

P	●	●	●
M	●	●	●
K	●	●	●
N	○	○	○
S	●	●	●
H	-	-	-



z6

B



图示=右手型
Picture = right hand cutting version

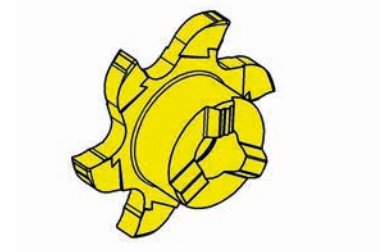
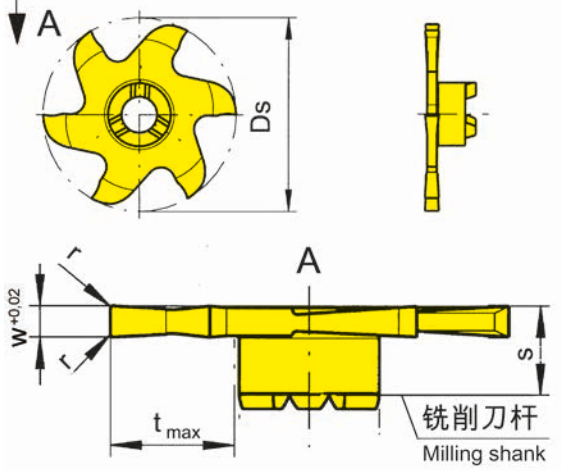
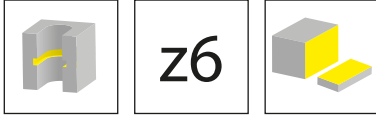
硬质合金牌号
Carbide grades

▲ 库存
on stock

△ 4周
4 weeks

产品型号 Part number	Ds	w	s	r	t _{max}	Z	HIS	AS45
628.0300.04	27.7	3	6.1	0.4	6.5	6	328143R	▲
628.0300.08	27.7	3	6.1	0.8	6.5	6	328143R	▲
628.0400.04	27.7	4	6.1	0.4	6.5	6	328143R	▲
628.0400.08	27.7	4	6.1	0.8	6.5	6	328143R	▲
								P ●
								M ●
								K ●
								N ○
								S ●
								H -

B



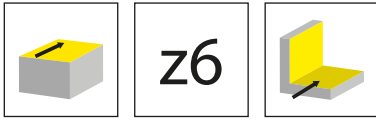
图示=右手型
Picture = right hand cutting version

硬质合金牌号
Carbide grades

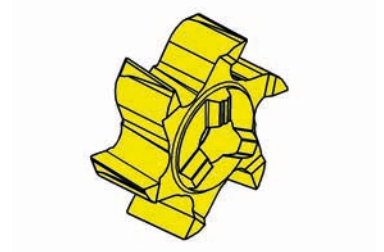
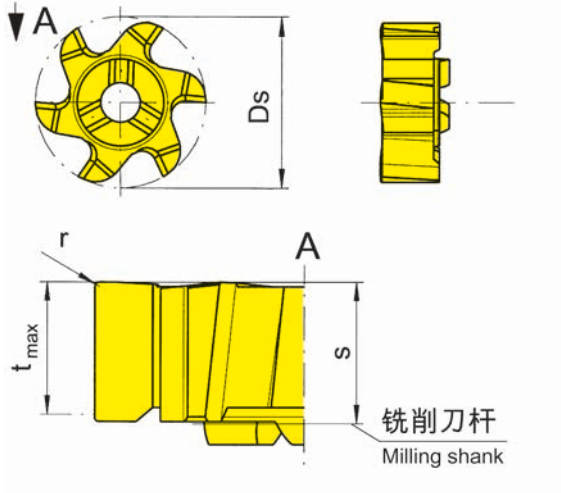
▲ 库存
on stock

△ 4周
4 weeks

产品型号 Part number	Ds	w	s	r	t _{max}	Z	HIS	AS45	T125
628.0100.2.00	28	1	6.1	-	9.3	6	328114R		▲
628.0120.2.00	28	1.2	6.1	-	9.3	6	328114R		▲
628.0150.2.00	28	1.5	6.1	-	9.3	6	328114R	▲	▲
628.0160.2.00	28	1.6	6.1	-	9.3	6	328114R	▲	▲
628.0200.2.00	28	2	6.1	0.2	9.3	6	328114R	▲	▲
628.0240.2.00	28	2.4	6.1	0.2	9.3	6	328114R	▲	▲
628.0250.2.00	28	2.5	6.1	0.2	9.3	6	328114R	▲	▲
								P	● ●
								M	● ●
								K	● ●
								N	○ ●
								S	● ●
								H	- -



B

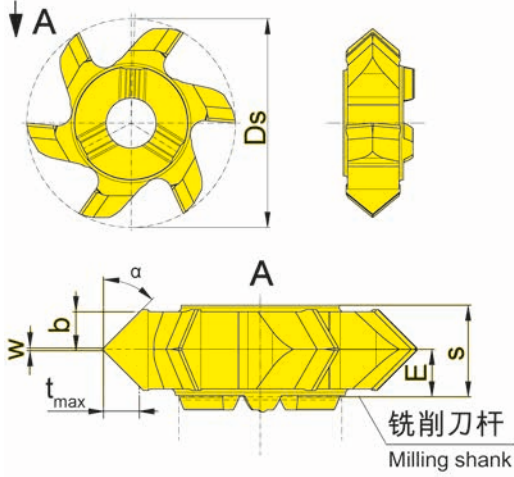
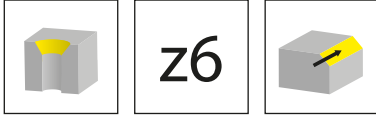


图示=右手型
Picture = right hand cutting version

硬质合金牌号
Carbide grades
▲ 库存
on stock
△ 4周
4 weeks

产品型号 Part number	Ds	Z	r	t _{max}	s	HIS	AS45	TF45	T125
628.PL61.62	27.7	6	0.2	5.7	6.1	328143R	▲	▲	▲
							P ●	●	●
							M ●	●	●
							K ●	●	●
							N ○	●	●
							S ●	●	●
							H -	-	-

B

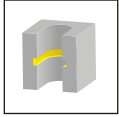


图示=右手型
Picture = right hand cutting version

▲ 库存
on stock

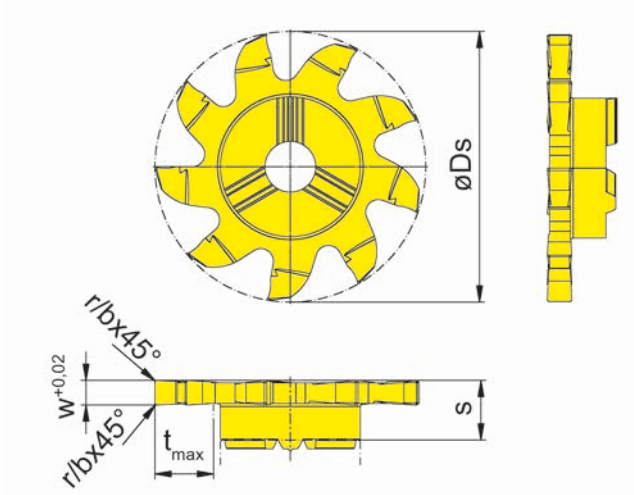
硬质合金牌号
Carbide grades
△ 4周
4 weeks

产品型号 Part number	Ds	E	s	w	α	b	t_{max}	Z	HIS	AS45	TA45
628.1515.20	27.7	3.2	6.3	0.2	15°	2.8	0.75	6	328143R	▲	
628.2020.20	27.7	3.2	6.3	0.2	20°	2.8	1	6	328143R	▲	
628.3030.20	27.7	3.2	6.3	0.2	30°	2.8	1.6	6	328143R	▲	▲
628.4545.20	27.7	3.2	6.3	0.2	45°	2.8	2.8	6	328143R	▲	▲
										P	●
										M	●
										K	●
										N	○
										S	●
										H	-



z9

B



图示=右手型
Picture = right hand cutting version

硬质合金牌号
Carbide grades

▲ 库存
on stock

△ 4周
4 weeks

产品型号 Part number	Ds	w	s	b x 45°	r	t _{max}	Z	HIS	EG55	IG65
928.0150.00	27.7	1.5	6.1	0.05	-	6.5	9	328143R	▲	△
928.0200.00	27.7	2	6.1	-	0.2	6.5	9	328143R	▲	△
928.0250.00	27.7	2.5	6.1	-	0.2	6.5	9	328143R	▲	△
928.0300.00	27.7	3	6.1	-	0.2	6.5	9	328143R	▲	△
									P ● ●	
									M ○ ●	
									K ○ -	
									N - -	
									S - ○	
									H - -	

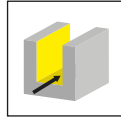
槽铣削 (圆弧插补铣削)

Groove Milling by circular interpolation



B

铣刀杆
Milling shank
M332/M332.ST/
M332.ER

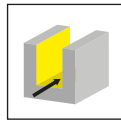


页/Page
178-181

常规刀柄
Basic Holder
WFB

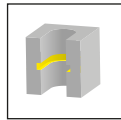
页/Page
182

螺纹锁紧铣刀
Screw-in cutter
M332.M

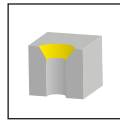


页/Page
183

刀片
Insert
332/632/636/932
939



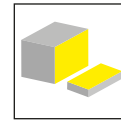
页/Page
184-185, 189-
190, 193-197



页/Page
186



页/Page
187-188



页/Page
191-192, 198

M332



铣刀杆

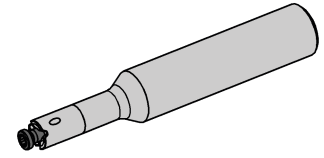
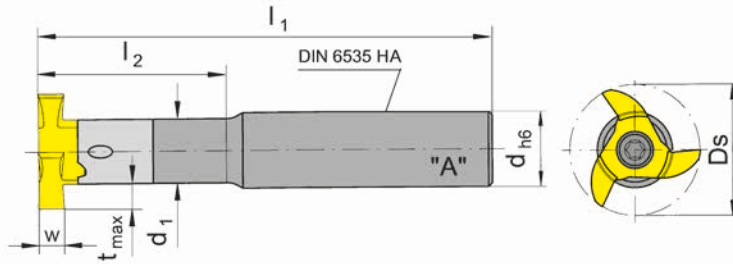
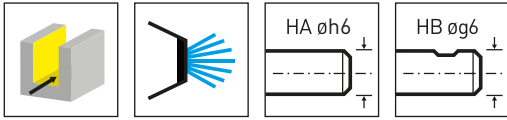
带可转位刀片

孔径自 \varnothing 32 mm

Milling shank with
exchangeable insert

from bore \varnothing 32 mm

B



图示=右手型

Picture = right hand cutting version

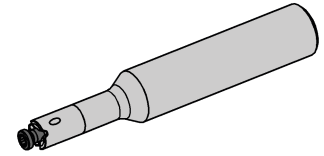
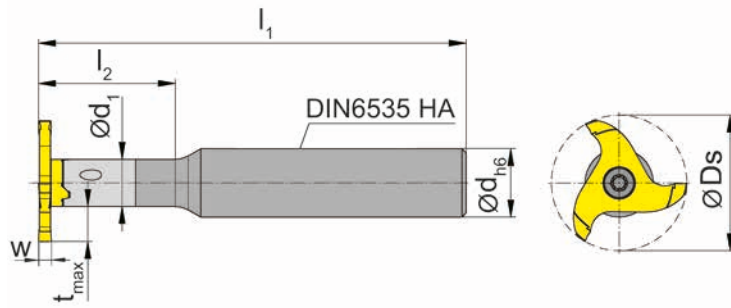
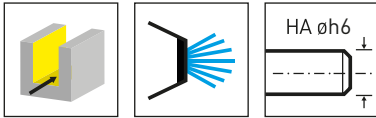
产品型号 Part number	d	l ₁	l ₂	d ₁	形式 Form	HWS
M332.0016.01A	16	100	42	14.3	A	332143R
M332.0016.02A	16	130	60	14.3	A	332143R
M332.0016.03A	16	160	85	14.3	A	332143R
M332.0020.01A	20	100	42	14.3	A	332143R
M332.0020.02A	20	130	60	14.3	A	332143R
M332.0020.03A	20	160	85	14.3	A	332143R
M332.0016.01B	16	100	42	14.3	B	332143R
M332.0016.02B	16	130	60	14.3	B	332143R
M332.0016.03B	16	160	85	14.3	B	332143R
M332.0020.01B	20	100	42	14.3	B	332143R
M332.0020.02B	20	130	60	14.3	B	332143R
M332.0020.03B	20	160	85	14.3	B	332143R

w, Ds, tmax 见刀片
w, Ds, tmax see inserts

配件

Spare Parts

铣刀杆 Milling shank	锁紧螺钉 Clamping Screw	TORX PLUS® 扳手 TORX PLUS® Wrench
M332...	5.17T20P	T20PQ



图示=右手型

Picture = right hand cutting version

产品型号 Part number	d	l ₁	l ₂	d ₁	形式 Form	HWS
M332.0012.2.01A	12	100	32	11	A	332110R
M332.0012.3.00A	12	100	-	12	A	332120R
M332.0016.2.02A	16	130	68	11	A	332110R
M332.0016.2.01A	16	100	32	11	A	332110R

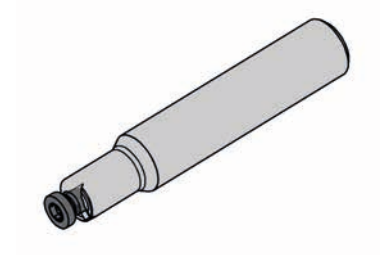
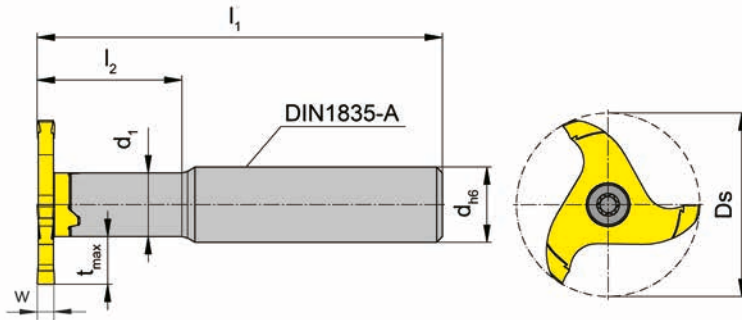
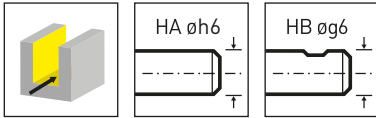
w, Ds, tmax 见刀片
w, Ds, tmax see inserts

配件

Spare Parts

铣刀杆 Milling shank	锁紧螺钉 Clamping Screw	TORX PLUS® 扳手 TORX PLUS® Wrench
M332...	5.17T20P	T20PQ

B



图示=右手型

Picture = right hand cutting version

产品型号 Part number	d	l ₁	l ₂	d ₁	形式 Form	HWS
M332.ST10.2.01A	10	70	25	11	A	332110R
M332.ST12.2.01A	12	70	25	11	A	332110R
M332.ST13.2.01A	13	70	25	11	A	332110R
M332.ST16.01A	16	90	36	14.3	A	332143R
M332.ST20.01A	20	100	36	14.3	A	332143R
M332.ST12.2.01B	12	70	25	11	B	332110R
M332.ST16.01B	16	90	36	14.3	B	332143R

w, Ds, tmax见刀片

w, Ds, tmax see inserts

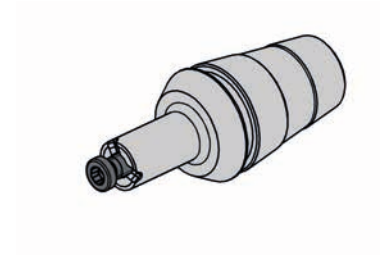
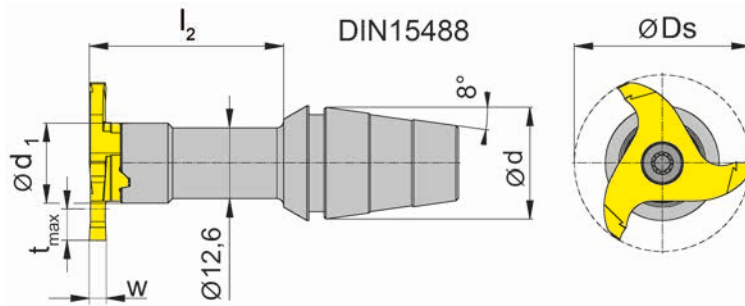
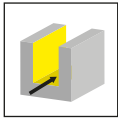
铣刀杆 M332.ST12.2.01A和 M332.ST13.2.01A适用于增加铣削深度的刀片!

Milling shanks M332.ST12.2.01A, M332.ST12.2.01B and M332.ST13.2.01A are usable for inserts with increased milling depth!

配件

Spare Parts

铣刀杆 Milling shank	锁紧螺钉 Clamping Screw	TORX PLUS®扳手 TORX PLUS® Wrench
M332...	5.17T20P	T20PQ



图示=右手型

Picture = right hand cutting version

产品型号 Part number	d	l ₂	d ₁	锁紧螺母 Clamping nut	HWS
M332.ER20.02	20	35	14.3	ER20.6499/ERM20.6499	332143R

w, Ds, tmax 见刀片

w, Ds, tmax see inserts

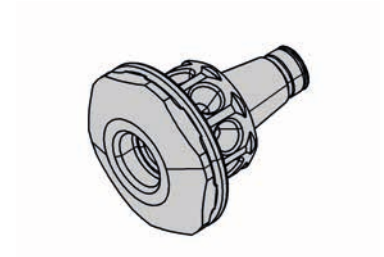
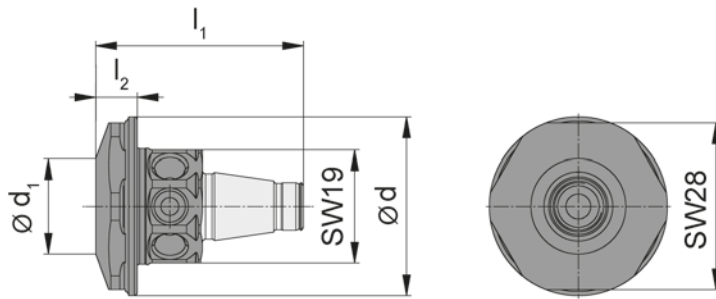
铣刀杆不包含夹紧螺母-需要单独订购!

Clamping nut is not combined with milling shank - separate order required!

配件

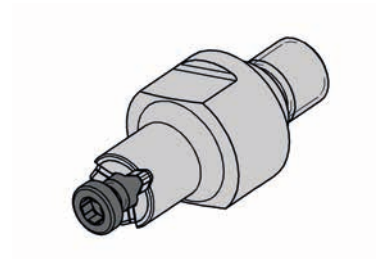
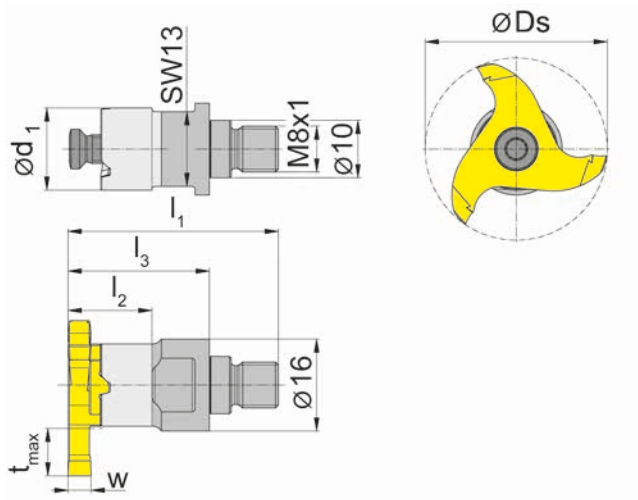
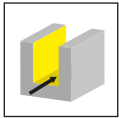
Spare Parts

铣刀杆 Milling shank	锁紧螺钉 Clamping Screw	TORX PLUS® 扳手 TORX PLUS® Wrench
M332.ER20.02	5.17T20P	T20PQ



产品型号 Part number	l_1	l_2	d_1	d
WFB.2012.M081.01	35	7	16	30

配合螺纹锁紧型铣刀
for Screw-in cutter



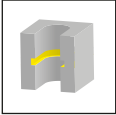
产品型号 Part number	l_1	l_2	l_3	d_1	SW	HWS	HMS
M332.M081.01	37	15	25	14.3	13	332143R	08001

w, Ds, tmax 见刀片
w, Ds, tmax see inserts

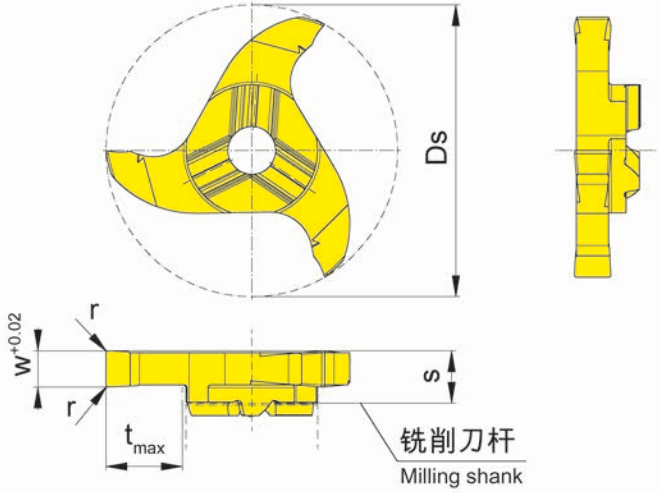
配件
Spare Parts

螺纹锁紧铣刀 Screw-in cutter	锁紧螺钉 Clamping Screw	TORX PLUS® 扳手 TORX PLUS® Wrench
M332.M081.01	5.17T20P	T20PQ

B



z3



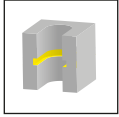
图示=右手型
Picture = right hand cutting version

硬质合金牌号
Carbide grades

▲ 库存
on stock

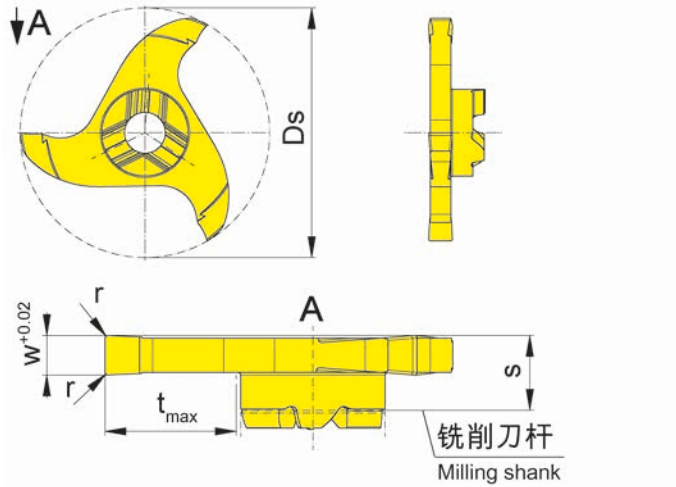
△ 4周
4 weeks

产品型号 Part number	Ds	w	s	r	t _{max}	Z	HIS	AS45	T125
332.0200.00	31.7	2	5.7	0.2	8.3	3	332143R	△	▲
332.0250.00	31.7	2.5	5.7	0.2	8.3	3	332143R	△	▲
332.0300.00	31.7	3	5.7	0.2	8.3	3	332143R	▲	▲
332.0350.00	31.7	3.5	5.7	0.2	8.3	3	332143R	▲	▲
332.0400.00	31.7	4	5.7	0.2	8.3	3	332143R	▲	▲
								P	● ●
								M	● ●
								K	● ●
								N	○ ●
								S	● ●
								H	- -



z3

B



图示=右手型
Picture = right hand cutting version

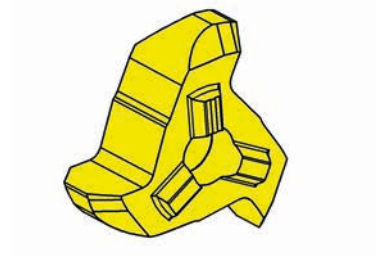
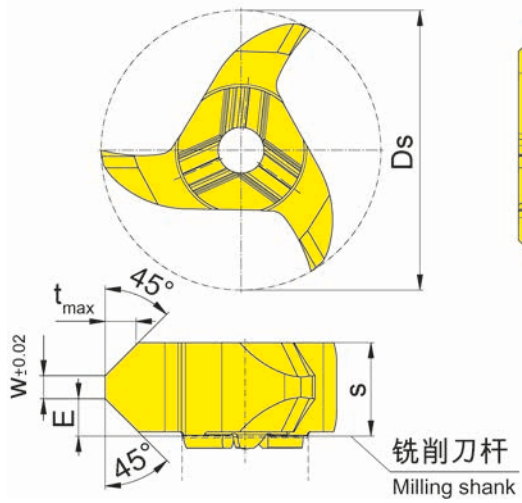
硬质合金牌号
Carbide grades

▲ 库存
on stock

△ 4周
4 weeks

产品型号 Part number	Ds	w	s	r	t _{max}	Z	HIS	AS45	TI25
332.0150.2.00	31.7	1.5	5.7	0.2	10	3	332110R	△	▲
332.0160.2.00	31.7	1.6	5.7	0.2	10	3	332110R	△	▲
332.0200.2.00	31.7	2	5.7	0.2	10	3	332110R	▲	▲
332.0250.2.00	31.7	2.5	5.7	0.2	10	3	332110R	▲	▲
332.0300.2.00	31.7	3	5.7	0.2	10	3	332110R	▲	▲
								P	● ●
								M	● ●
								K	● ●
								N	○ ●
								S	● ●
								H	- -

B



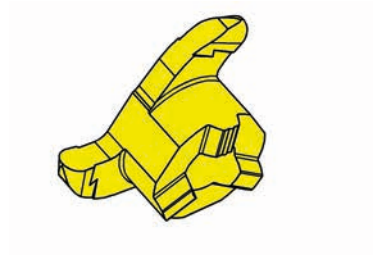
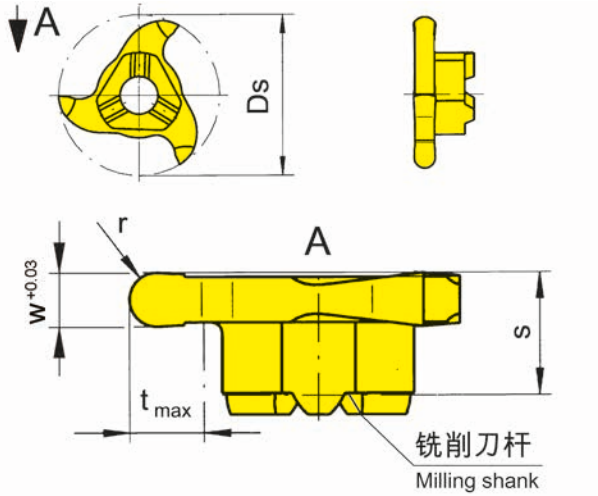
图示=右手型
Picture = right hand cutting version

硬质合金牌号
Carbide grades

▲ 库存
on stock

△ 4周
4 weeks

产品型号 Part number	Ds	E	s	w	t _{max}	Z	HIS	TA45
332.4545.35.00	31.7	4.25	10.6	2.6	3.5	3	332143R	▲
								P ●
								M ●
								K ●
								N ●
								S ●
								H -



图示=右手型
Picture = right hand cutting version

硬质合金牌号
Carbide grades

▲ 库存
on stock

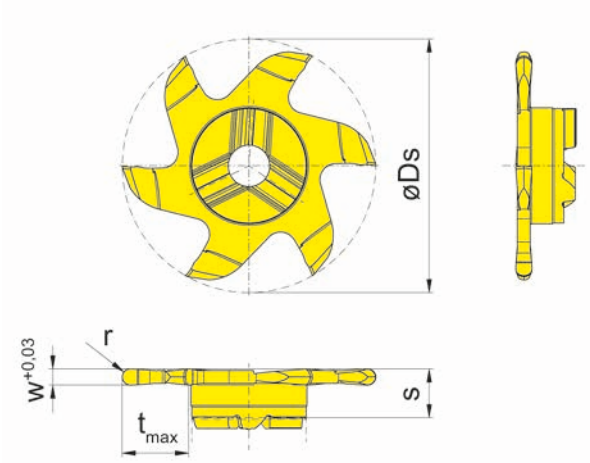
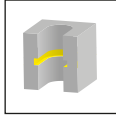
△ 4周
4 weeks

产品型号 Part number	Ds	w	s	r	t _{max}	Z	HIS	AS45
332.0010.20	31.7	2	5.7	1	8.3	3	332143R	▲
332.0015.30	31.7	3	5.7	1.5	8.3	3	332143R	▲
332.0020.40	31.7	4	5.7	2	8.3	3	332143R	▲
								P ●
								M ●
								K ●
								N ○
								S ●
								H -

B



z6



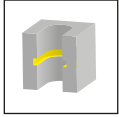
图示=右手型
Picture = right hand cutting version

硬质合金牌号
Carbide grades

▲ 库存
on stock

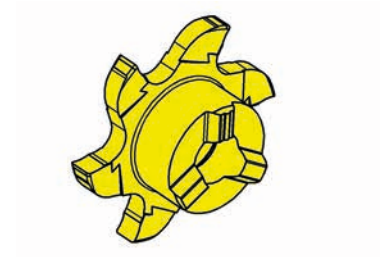
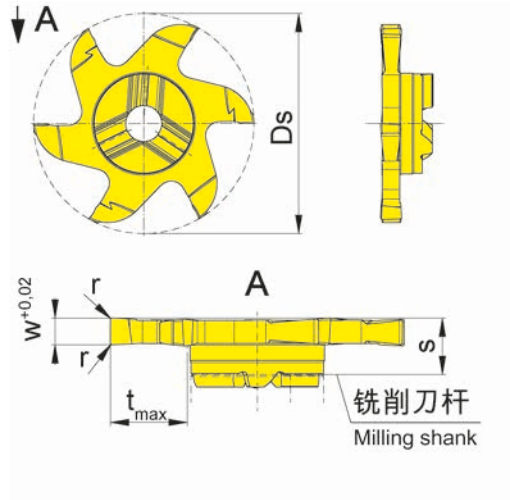
△ 4周
4 weeks

产品型号 Part number	Ds	w	s	r	t _{max}	Z	HIS	AS45
632.0010.20	31.7	2	6.1	1	8.3	6	332143R	▲
632.0015.30	31.7	3	6.1	1.5	8.3	6	332143R	▲
632.0020.40	31.7	4	6.1	2	8.3	6	332143R	▲
								P ●
								M ●
								K ●
								N ○
								S ●
								H -



z6

B



图示=右手型
Picture = right hand cutting version

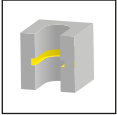
硬质合金牌号
Carbide grades

▲ 库存
on stock

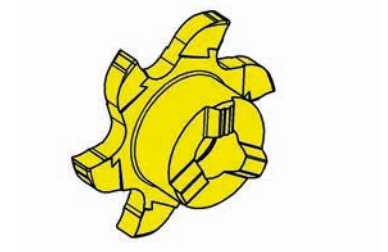
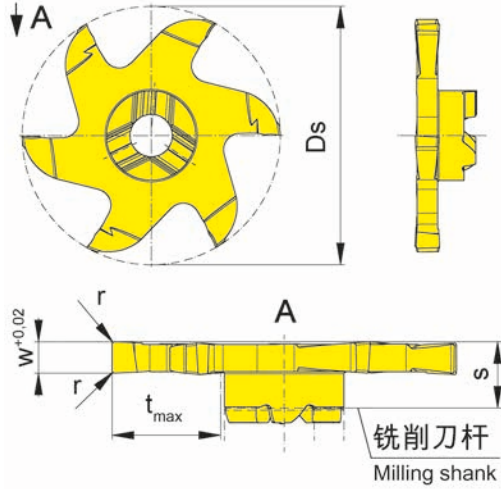
△ 4周
4 weeks

产品型号 Part number	Ds	w	s	r	t _{max}	Z	HIS	AS45	TA45
632.0200.00	31.7	2	6.1	0.2	8.3	6	332143R	▲	▲
632.0250.00	31.7	2.5	6.1	0.2	8.3	6	332143R	▲	▲
632.0300.00	31.7	3	6.1	0.2	8.3	6	332143R	▲	▲
632.0400.00	31.7	4	6.1	0.2	8.3	6	332143R	▲	▲
								P	●
								M	●
								K	●
								N	○
								S	●
								H	-

B



Z6



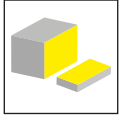
图示=右手型
Picture = right hand cutting version

硬质合金牌号
Carbide grades

▲ 库存
on stock

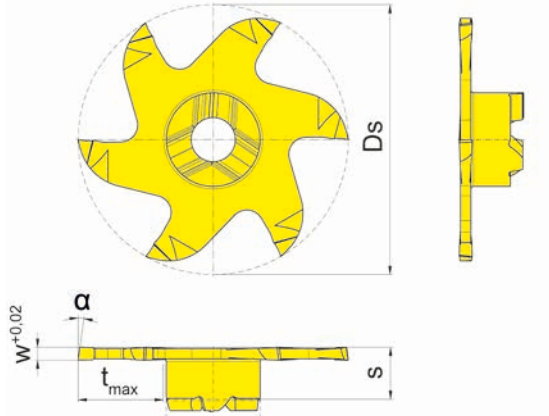
△ 4周
4 weeks

产品型号 Part number	Ds	w	s	r	t _{max}	Z	HIS	AS45	TA45
632.0100.2.00	31.7	1	6.1	-	10	6	332110R	▲	
632.0120.2.00	31.7	1.2	6.1	0.1	10	6	332110R	▲	
632.0150.2.00	31.7	1.5	6.1	0.2	10	6	332110R	▲	▲
632.0160.2.00	31.7	1.6	6.1	0.2	10	6	332110R	▲	▲
632.0200.2.00	31.7	2	6.1	0.2	10	6	332110R	▲	▲
632.0250.2.00	31.7	2.5	6.1	0.2	10	6	332110R	▲	▲
632.0300.2.00	31.7	3	6.1	0.2	10	6	332110R	▲	▲
								P	● ●
								M	● ●
								K	● ●
								N	○ ●
								S	● ●
								H	- -



z6

B



图示=右手型
Picture = right hand cutting version

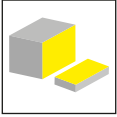
硬质合金牌号
Carbide grades

▲ 库存
on stock

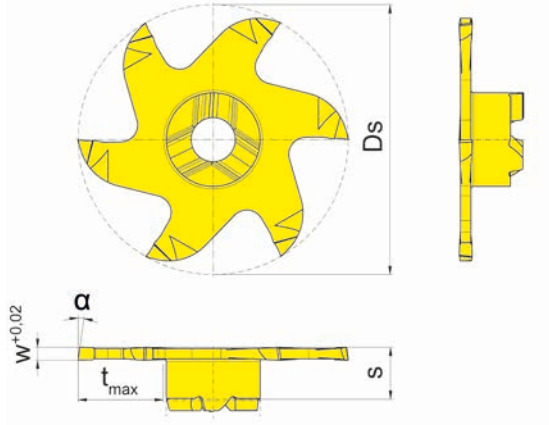
△ 4周
4 weeks

产品型号 Part number	Ds	w	s	α	t_{max}	Z	HIS		AN25	RC25
632.L810.2.00	31.7	1	6.1	8°	10	6	332110R	▲	▲	▲
632.L815.2.00	31.7	1.5	6.1	8°	10	6	332110R	▲	▲	▲
632.L820.2.00	31.7	2	6.1	8°	10	6	332110R	▲	▲	▲
								P	●	●
								M	○	●
								K	-	●
								N	-	-
								S	-	-
								H	-	-

B



z6



图示=右手型
Picture = right hand cutting version

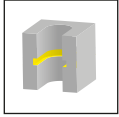
硬质合金牌号
Carbide grades

▲ 库存
on stock

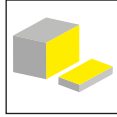
△ 4周
4 weeks

产品型号 Part number	Ds	w	s	α	t_{max}	Z	HIS		AN25	RC25
636.L810.2.00	35.7	1	6.1	8°	12	6	332110R	▲	▲	▲
636.L815.2.00	35.7	1.5	6.1	8°	12	6	332110R	▲	▲	▲
636.L820.2.00	35.7	2	6.1	8°	12	6	332110R	▲	▲	▲
								P	●	●
								M	○	●
								K	-	●
								N	-	-
								S	-	-
								H	-	-

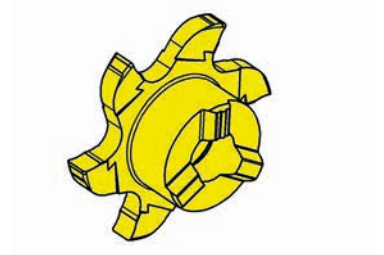
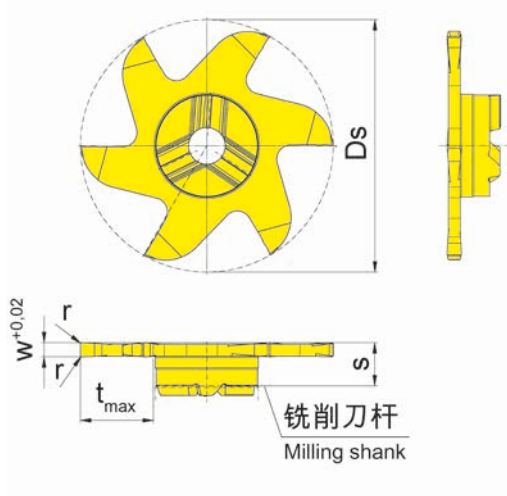
2.5mm槽宽以上的刀片是错齿的
from width of groove 2,5 mm toothing with cross-cut



z6



B



图示=右手型
Picture = right hand cutting version

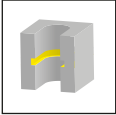
硬质合金牌号
Carbide grades
▲ 库存 on stock
△ 4周 4 weeks

产品型号 Part number	Ds	w	s	r	t _{max}	Z	HIS	AS45	TA45
636.0150.00	35.7	1.5	6.1	0.1	10.2	6	332143R	▲	▲
636.0200.00	35.7	2	6.1	0.2	10.2	6	332143R	▲	▲
636.0250.00	35.7	2.5	6.1	0.2	10.2	6	332143R	▲	▲
636.0300.00	35.7	3	6.1	0.2	10.2	6	332143R	▲	▲

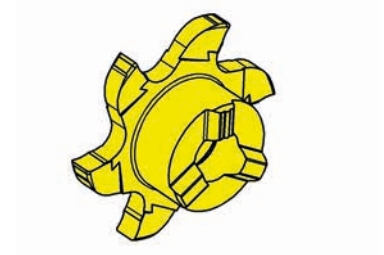
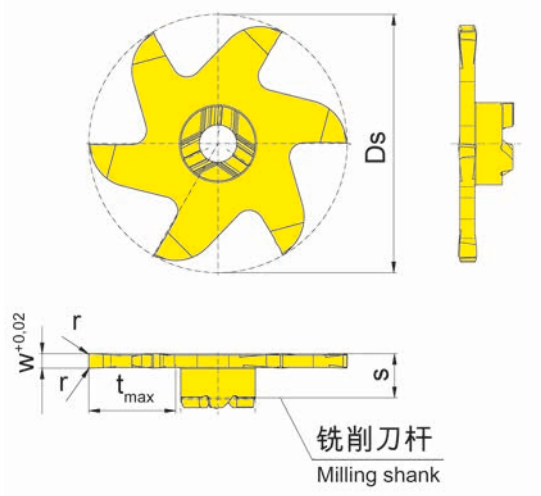
请考虑刀杆定位面直径 $\varnothing d_1$
Please consider pocket seat $\varnothing d_1$ of the milling shank!

P	●	●
M	●	●
K	●	●
N	○	●
S	●	●
H	-	-

B



z6



图示=右手型
Picture = right hand cutting version

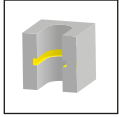
硬质合金牌号
Carbide grades
▲ 库存
on stock
△ 4周
4 weeks

产品型号 Part number	Ds	w	s	r	t _{max}	Z	HIS	AS45	TA45
636.0110.2.00	35.7	1.1	6.1	0.1	12	6	332110R	▲	
636.0130.2.00	35.7	1.3	6.1	0.1	12	6	332110R	▲	
636.0150.2.00	35.7	1.5	6.1	0.1	12	6	332110R	▲	▲
636.0200.2.00	35.7	2	6.1	0.2	12	6	332110R	▲	▲
636.0250.2.00	35.7	2.5	6.1	0.2	12	6	332110R	▲	▲

2.5mm槽宽以上的刀片是错齿的
from width of groove 2,5 mm toothing with cross-cut

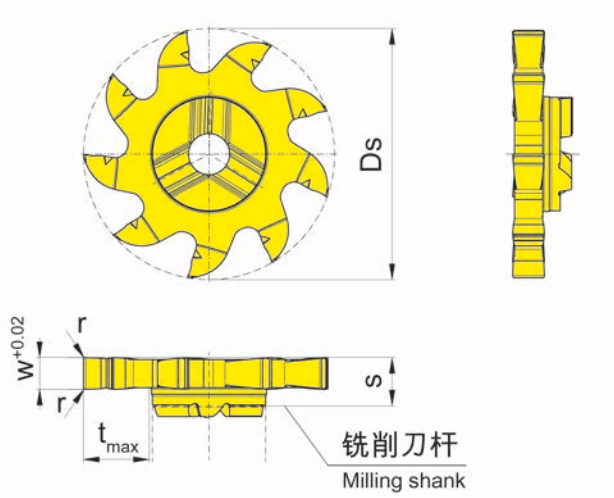
请考虑刀杆定位面直径 $\varnothing d_1$
Please consider pocket seat $\varnothing d_1$ of the milling shank!

P	●	●
M	●	●
K	●	●
N	○	●
S	●	●
H	-	-



z9

B



图示=右手型
Picture = right hand cutting version

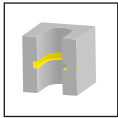
硬质合金牌号
Carbide grades

▲ 库存
on stock

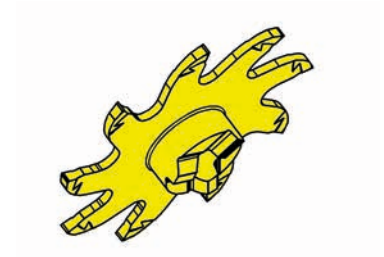
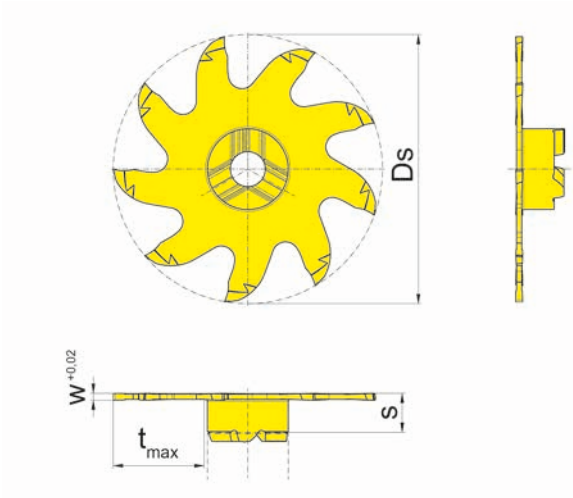
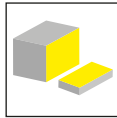
△ 4周
4 weeks

产品型号 Part number	D _s	w	s	r	t _{max}	Z	HIS	AS45
932.0200.00	31.7	2	6.1	0.2	8.3	9	332143R	▲
932.0250.00	31.7	2.5	6.1	0.2	8.3	9	332143R	▲
932.0300.00	31.7	3	6.1	0.2	8.3	9	332143R	▲
932.0400.00	31.7	4	6.1	0.2	8.3	9	332143R	▲
								P ●
								M ●
								K ●
								N ○
								S ●
								H -

B



z9



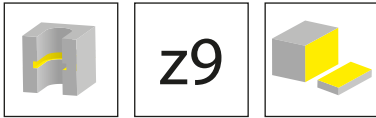
图示=右手型
Picture = right hand cutting version

硬质合金牌号
Carbide grades

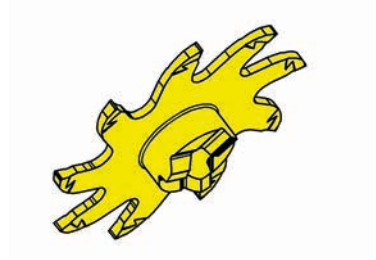
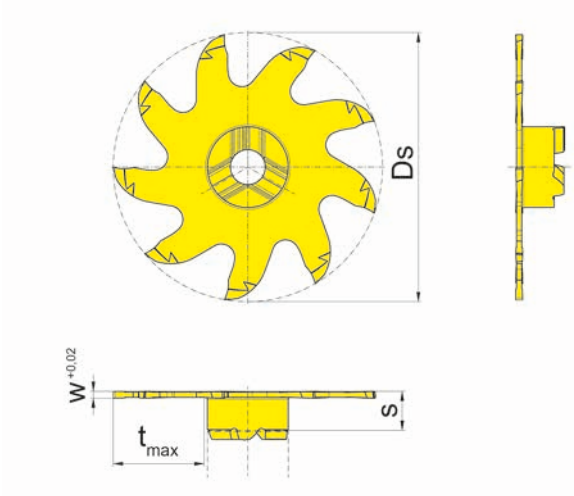
▲ 库存
on stock

△ 4周
4 weeks

产品型号 Part number	Ds	w	s	t _{max}	Z	HIS	AN25	RC25
939.0100.3.00	40	1	5.8	13.5	9	332120R	▲	▲
939.0150.3.00	40	1.5	5.8	13.5	9	332120R	▲	▲
939.0200.3.00	40	2	5.8	13.5	9	332120R	▲	▲
939.0250.3.00	40	2.5	5.8	13.5	9	332120R	▲	▲
							P ● ●	
							M ○ ●	
							K - ●	
							N - -	
							S - -	
							H - -	



B

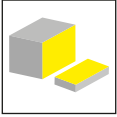


图示=右手型
Picture = right hand cutting version

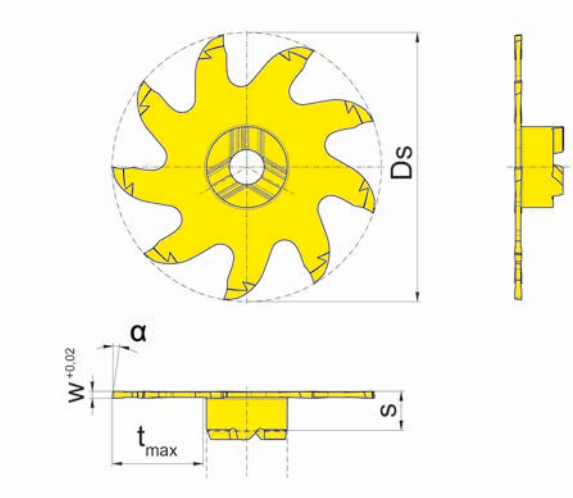
硬质合金牌号
Carbide grades
▲ 库存
on stock
△ 4周
4 weeks

产品型号 Part number	Ds	w	s	t _{max}	Z	HIS	AN25	RC25
939.0040.4.00	40	0.4	5.8	14	9	332110R	▲	▲
939.0050.4.00	40	0.5	5.8	14	9	332110R	▲	▲
939.0060.4.00	40	0.6	5.8	14	9	332110R	▲	▲
939.0070.4.00	40	0.7	5.8	14	9	332110R	▲	▲
939.0080.4.00	40	0.8	5.8	14	9	332110R	▲	▲
939.0090.4.00	40	0.9	5.8	14	9	332110R	▲	▲
939.0100.4.00	40	1	5.8	14	9	332110R	▲	▲
939.0150.4.00	40	1.5	5.8	14	9	332110R	▲	▲
							P ● ●	
							M ○ ●	
							K - ●	
							N - -	
							S - -	
							H - -	

B



z9



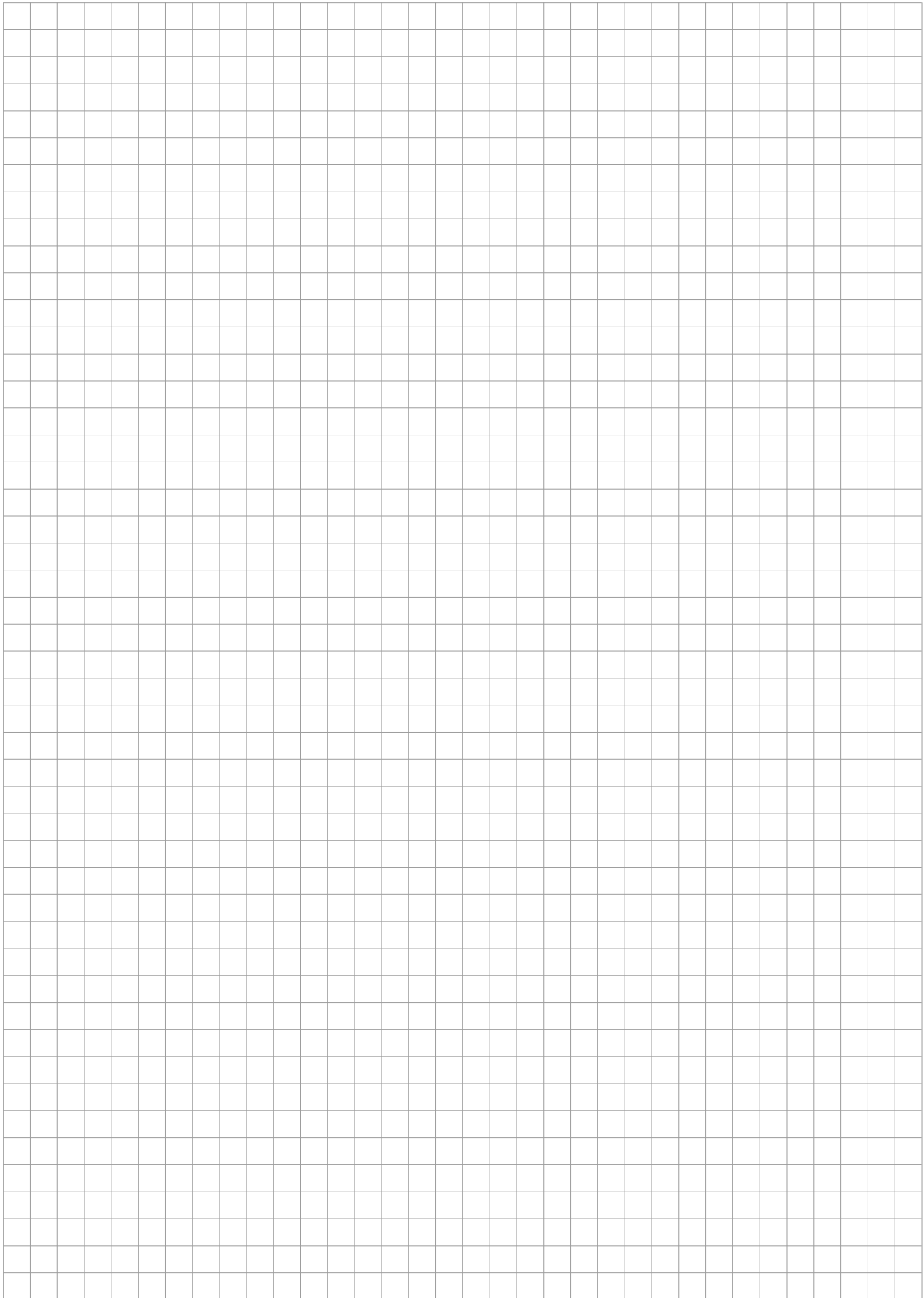
图示=右手型
Picture = right hand cutting version

硬质合金牌号
Carbide grades

▲ 库存
on stock

△ 4周
4 weeks

产品型号 Part number	Ds	w	s	α	t _{max}	Z	HIS		AN25	RC25
939.L810.3.00	40	1	5.8	8°	13.5	9	332120R		▲	▲
939.L810.4.00	40	1	5.8	8°	14	9	332110R		▲	△
939.L815.4.00	40	1.5	5.8	8°	14	9	332110R		▲	△
								P	●	●
								M	○	●
								K	-	●
								N	-	-
								S	-	-
								H	-	-



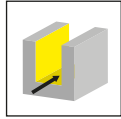
槽铣削(圆弧插补铣削)

Groove Milling by circular interpolation



B

铣刀杆
Milling shank
M335



页/Page
202

刀片
Insert
335



页/Page
203

M335



铣刀杆

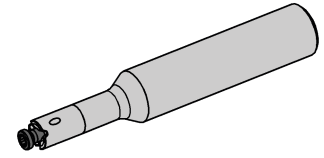
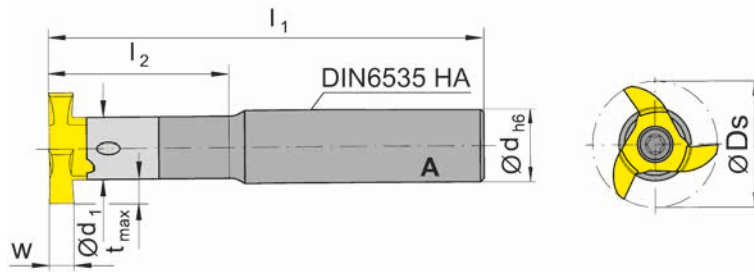
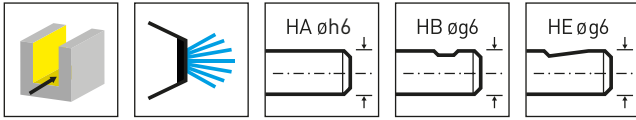
带可转位刀片

孔径自 \varnothing 35 mm

Milling shank with
exchangeable insert

from bore \varnothing 35 mm

B



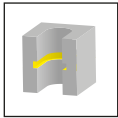
图示=右手型
Picture = right hand cutting version

产品型号 Part number	d	l ₁	l ₂	d ₁	形式 Form	HWS
M335.0020.01A	20	100	40	17.5	A	335175R
M335.0020.02A	20	130	60	17.5	A	335175R
M335.0020.03A	20	150	80	17.5	A	335175R
M335.0020.01B	20	100	40	17.5	B	335175R
M335.0020.02B	20	130	60	17.5	B	335175R
M335.0020.02E	20	130	60	17.5	E	335175R

w, Ds, tmax见刀片
w, Ds, tmax see inserts

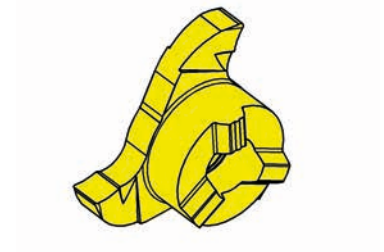
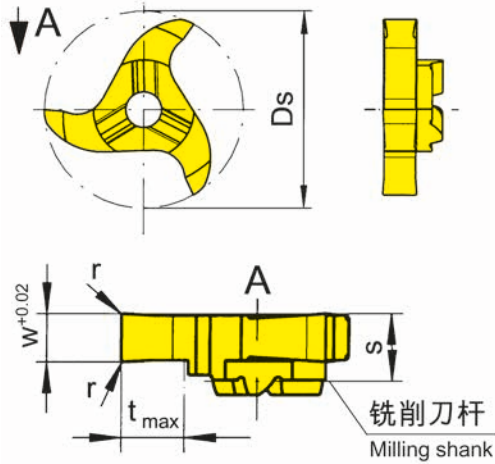
配件
Spare Parts

铣刀杆 Milling shank	锁紧螺钉 Clamping Screw	TORX PLUS®扳手 TORX PLUS® Wrench
M335...	6.17T25P	T25PQ



z3

B



图示=右手型
Picture = right hand cutting version

硬质合金牌号
Carbide grades
▲ 库存 on stock
△ 4周 4 weeks

产品型号 Part number	Ds	w	s	r	t _{max}	Z	HIS	AS45	T125
335.0200.00	34.7	2	8.7	0.2	8	3	335175R	▲	▲
335.0300.00	34.7	3	8.7	0.2	8	3	335175R	▲	▲
335.0400.00	34.7	4	8.7	0.2	8	3	335175R	▲	▲
335.0500.00	34.7	5	8.7	0.2	8	3	335175R	▲	▲
335.0600.00	34.7	6	8.7	0.2	8	3	335175R	▲	▲

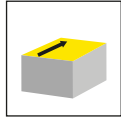
根据要求:
8.0-15.0mm宽度刀片仅用于特殊轮廓刀片,而且要取决于被加工工件的材质。

Upon request:
Insert widths of 8,0 - 15,0 mm are only available as special profiled inserts. Use of these widths depend from the workpiece material to be machined.

P	●	●
M	●	●
K	●	●
N	○	●
S	●	●
H	-	-

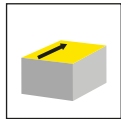
B

铣刀杆
Milling shank
M620



页/Page
206

刀片
Insert
620



页/Page
207-208

M620



铣刀杆

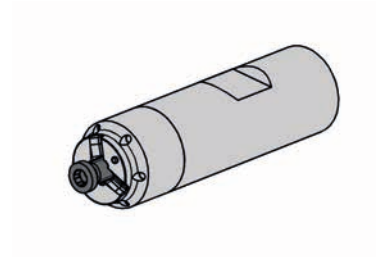
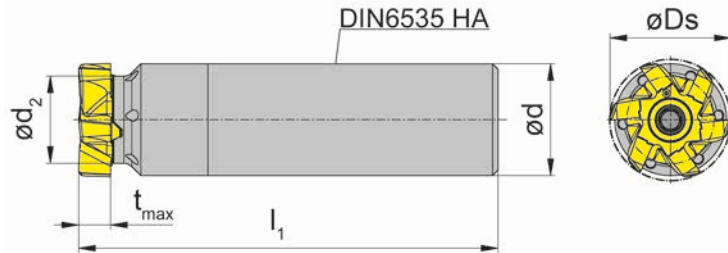
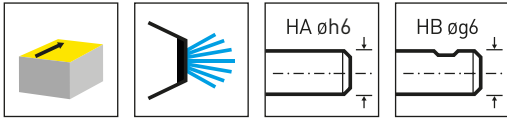
带可转位刀片

切削刃Ø 21.7 mm

Milling shank with
exchangeable insert

Cutting edge Ø 21,7 mm

B

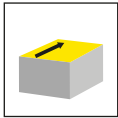


产品型号 Part number	Ds	d	l ₁	d ₂	形式 Form	HWS
M620.0020.D.00A	21.7	20	75	15.6	A	620156R
M620.0020.D.00B	21.7	20	75	15.6	B	620156R
M620.0020.D.04A	21.7	20	130	15.6	A	620156R
M620.0020.D.04B	21.7	20	130	15.6	B	620156R

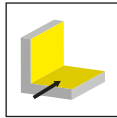
tmax见刀片
tmax see inserts

配件
Spare Parts

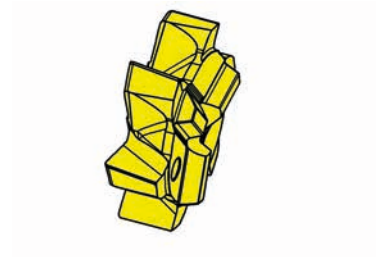
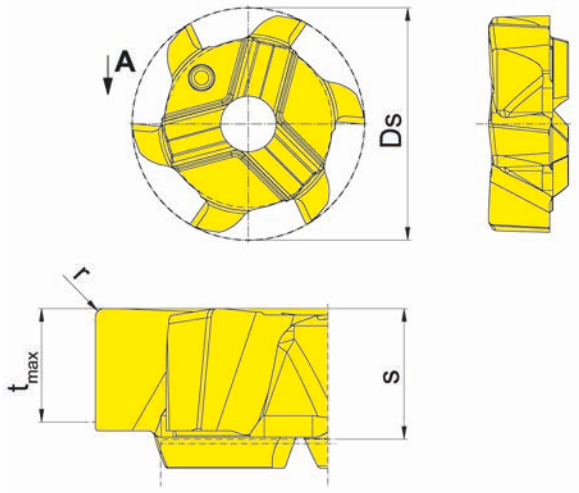
铣刀杆 Milling shank	锁紧螺钉 Clamping Screw	TORX PLUS®扳手 TORX PLUS® Wrench
M620...	5.14T20P	T20PQ



z6



B



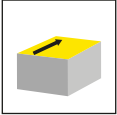
硬质合金牌号
Carbide grades

▲ 库存
on stock

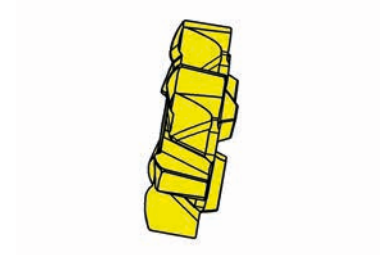
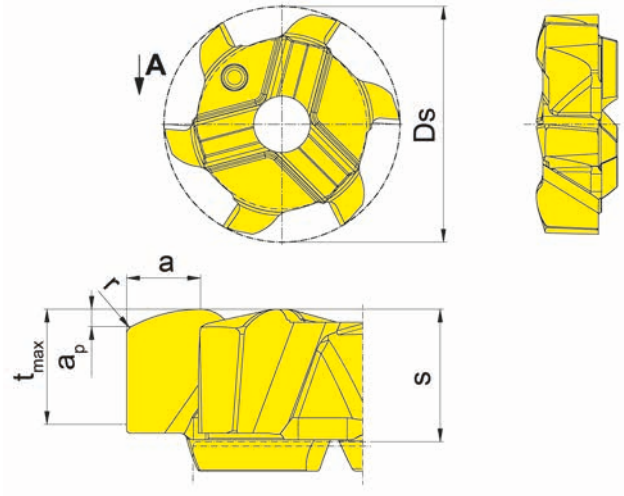
△ 4周
4 weeks

产品型号 Part number	Ds	Z	r	t _{max}	s	HIS	AS45
620.PL53.64	21.7	6	0.4	5.3	6.1	620156R	▲
							P ●
							M ●
							K ●
							N ○
							S ●
							H -

B



z6



硬质合金牌号
Carbide grades

▲ 库存
on stock

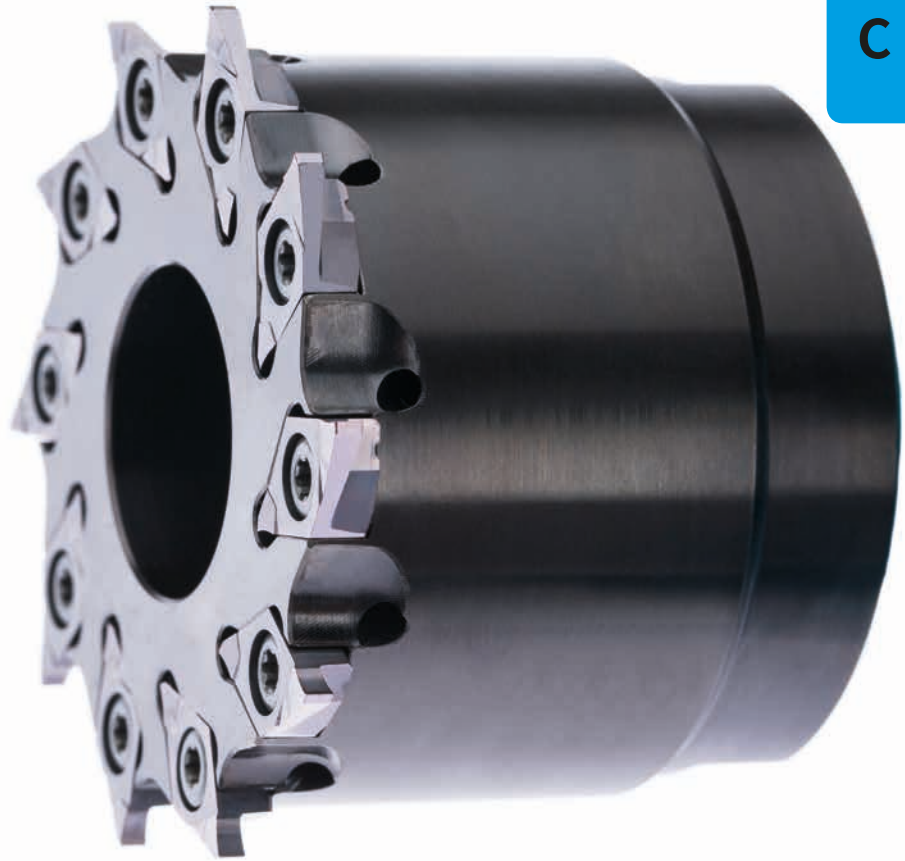
△ 4周
4 weeks

产品型号 Part number	Ds	a	Z	r	t _{max}	a _p	s	HIS	AS45
620.HV08.04	21.7	4.4	6	0.4	5.3	0.8	6.1	620156R	▲
									P ●
									M ●
									K ●
									N ○
									S ●
									H -

高进给铣削
High Feed Milling

切入角 Diving angle	理论圆角半径 r_{th} =编程半径 theoretical corner radius r_{th} = programming radius	最大偏差 max. difference
1°	1,15 mm	0,43 mm

M275



槽铣刀

切削刃自 $\varnothing 31$ mm

Groove milling cutter

from cutting edge $\varnothing 31$ mm

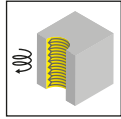
槽铣削(圆弧插补铣削)

Groove Milling by circular interpolation



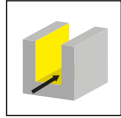
C

杆式铣刀
End Mill
M275



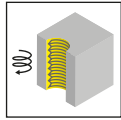
页/Page
211

螺纹锁紧铣刀
Screw-in cutter
M275



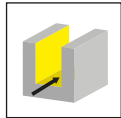
页/Page
212

芯轴刀柄式铣刀
Arbour Mounted Cutter
M275



页/Page
213

盘铣刀
Disc Milling Cutter
M275



页/Page
214

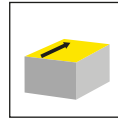
可转位刀片
Indexable insert
S275/RS275



页/Page
215-216



页/Page
217

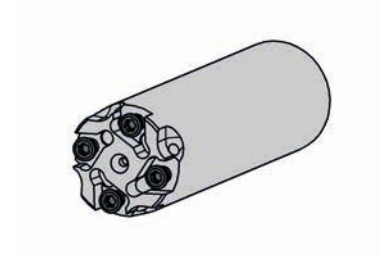
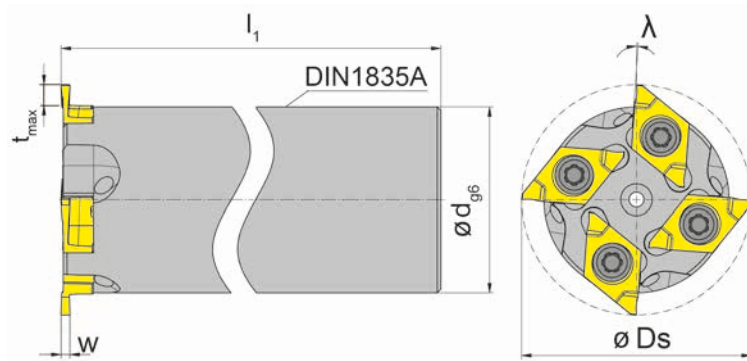
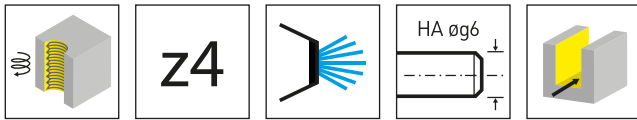


页/Page
218

杆式铣刀

End Mill

M275



图示=右手型

Picture = right hand cutting version

产品型号 Part number	Ds	d	l ₁	λ	HWS
M275.031.D25.3.04A	31	25	125	4°	275041R

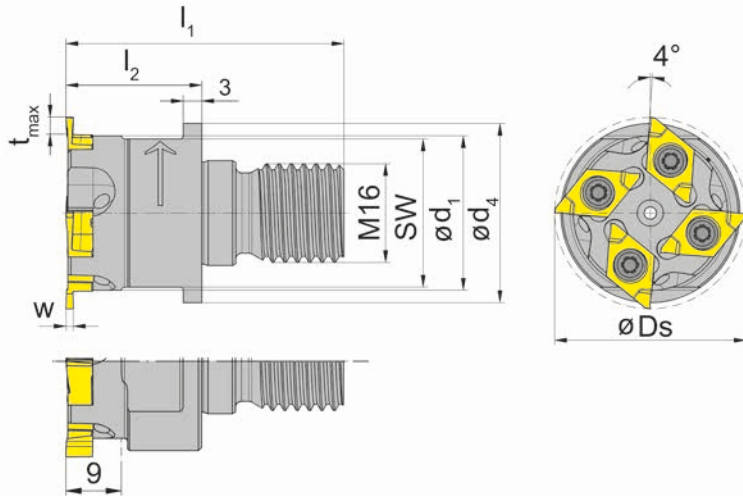
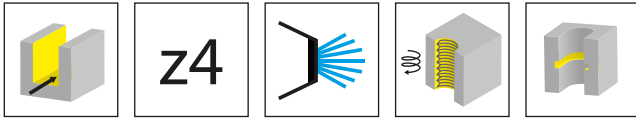
w和tmax见刀片
w and tmax see inserts

刀杆材料: 钢 (不推荐使用热缩方式夹持)
Material of shank: Steel (not recommended for shrink fitting)

配件

Spare Parts

杆式铣刀 End Mill	锁紧螺钉 Clamping Screw	TORX PLUS®扳手 TORX PLUS® Wrench
M275.031.D25.3.04A	3.5.10T10P	T10PL



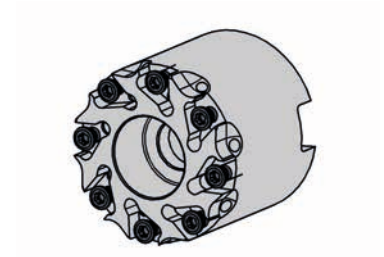
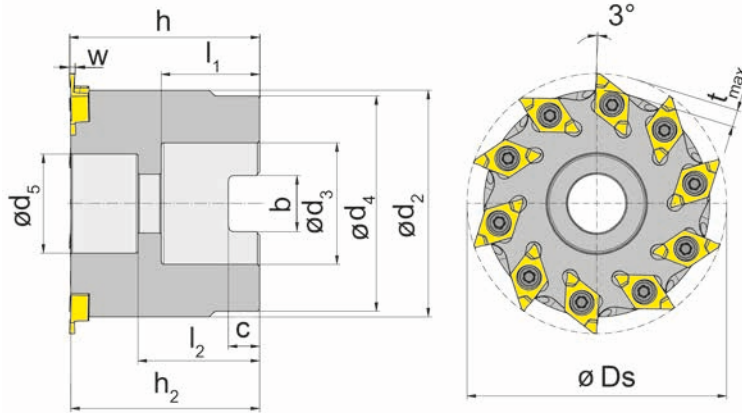
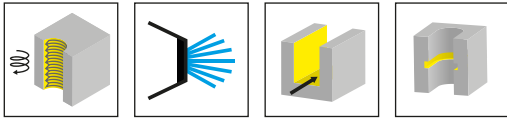
图示=右手型
Picture = right hand cutting version

产品型号 Part number	Z	Ds	l ₁	l ₂	d ₁	d ₄	SW	HWS
M275.031.M16.1.04	4	31	45	22	25	29	24	275041R
M275.036.M16.1.04	4	36	45	22	30	29	27	275041R

w和tmax见刀片
w and tmax see inserts

配件
Spare Parts

螺纹锁紧铣刀 Screw-in cutter	锁紧螺钉 Clamping Screw	TORX PLUS®扳手 TORX PLUS® Wrench
M275...	3.5.10T10P	T10PL



图示=右手型

Picture = right hand cutting version

产品型号 Part number	Z	Ds	h ₂	h	d ₅	d ₄	d ₃	l ₁	l ₂	b	C	d ₂	HWS
M275.0038.A16.05	5	38	32.7	33	13.5	32	16	18	22.7	8.4	5.6	32	275041R
M275.0048.A22.08	8	48	36.7	37	18.5	40.5	22	20	24.7	10.4	6.3	40.5	275041R
M275.0058.A27.10	10	58	42.2	42.5	22	48	27	22	27.2	12.4	7	50	275041R
M275.0078.A32.14	14	78	49.7	50	33	58	32	25	36.7	14.4	8	70.5	275041R

w和tmax见刀片

w and tmax see inserts

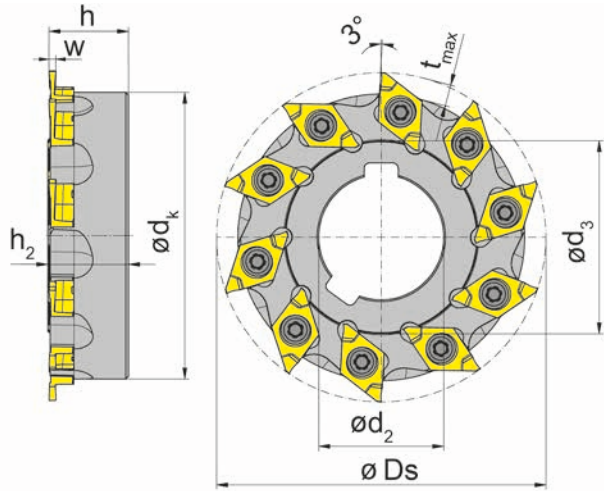
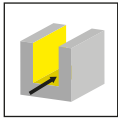
中心孔和键槽均依据DIN138标准

Cutterhole and cross keyway as per DIN 138

配件

Spare Parts

芯轴刀柄式铣刀 Arbour Mounted Cutter	锁紧螺钉 Clamping Screw	TORX PLUS®扳手 TORX PLUS® Wrench
M275...	3.5.10T10P	T10PL



R=右手型-如图
R = right hand cutting version shown

L=左手型
L = left hand cutting version

产品型号 Part number	Z	Ds	d ₂	d ₃	d _k	h ₂	h	HWS
RM275.0058.S22.10	10	58	22	34	50.5	14.2	14	275041R
RM275.0098.S32.16	16	98	32	48	90.5	20.2	20	275041R
LM275.0058.S22.10	10	58	22	34	50.5	14.2	14	275041L
LM275.0078.S27.14	14	78	27	43	70.5	16.2	16	275041L
LM275.0098.S32.16	16	98	32	48	90.5	20.2	20	275041L

w和tmax见刀片
w and tmax see inserts

孔(d2)带纵向DIN138标准键槽
Bore (d2) with longitudinal keyway to DIN 138

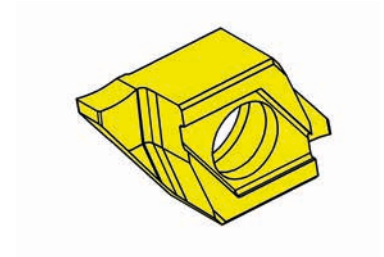
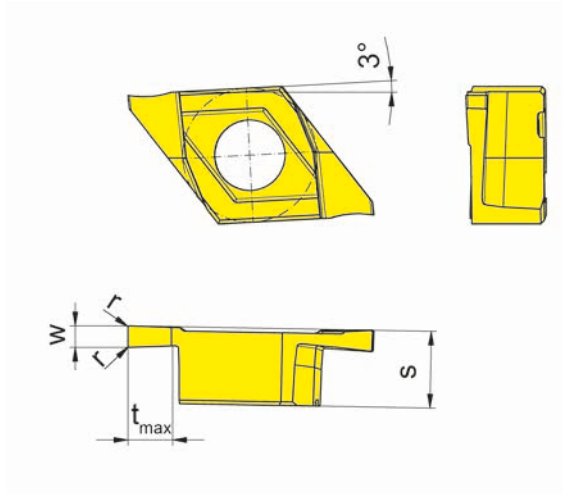
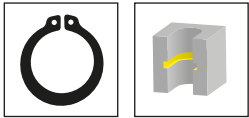
配件

Spare Parts

盘铣刀 Disc Milling Cutter	锁紧螺钉 Clamping Screw	TORX PLUS®扳手 TORX PLUS® Wrench
R/LM275.0...	3.5.10T10P	T10PL
LM275.0078.S27.14	3.5.10T10P	T10PL

可转位刀片 Indexable insert

S275



R=右手型-如图
R = right hand version shown

L=左手型
L = left hand version

▲ 库存
on stock

硬质合金牌号
Carbide grades
△ 4周
4 weeks

产品型号 Part number	Nw	w	s	r	t _{max}	HIS	AS45
RS275.0110.00	1.1	1.2	4.3	0.1	2.5	275043R	△
RS275.0130.00	1.3	1.4	4.3	0.1	2.5	275043R	▲
RS275.0160.00	1.6	1.7	4.3	0.1	2.5	275043R	▲
RS275.0185.00	1.85	1.95	4.3	0.15	2.5	275043R	▲
RS275.0215.00	2.15	2.25	4.3	0.15	2.5	275043R	▲
RS275.0265.00	2.65	2.75	4.3	0.15	2.5	275043R	▲
RS275.0315.00	3.15	3.25	4.3	0.15	2.5	275043R	▲
LS275.0130.00	1.3	1.4	4.3	0.1	2.5	275043L	△
LS275.0160.00	1.6	1.7	4.3	0.1	2.5	275043L	△
LS275.0265.00	2.65	2.75	4.3	0.15	2.5	275043L	▲
LS275.0315.00	3.15	3.25	4.3	0.15	2.5	275043L	△

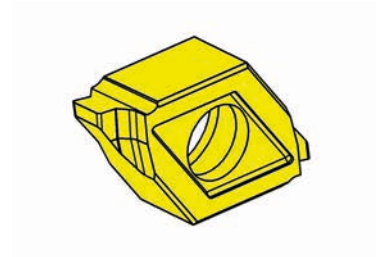
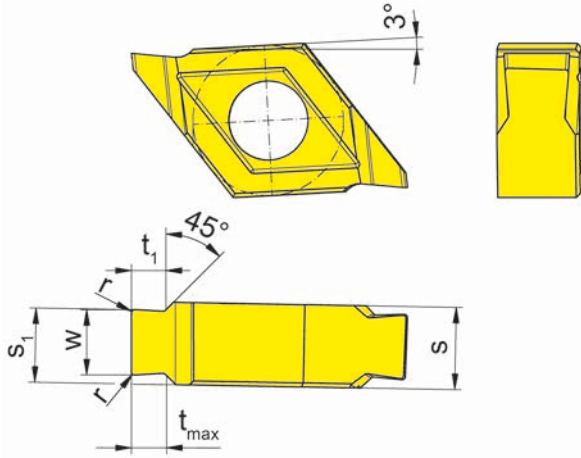
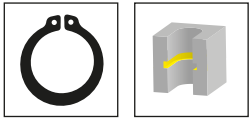
P	●
M	●
K	●
N	○
S	●
H	-



可转位刀片

Indexable insert

S275



R=右手型-如图
R = right hand version shown

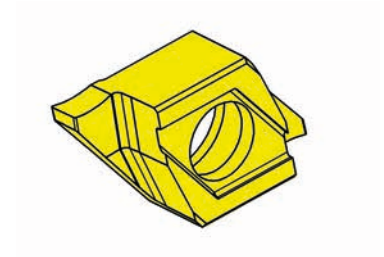
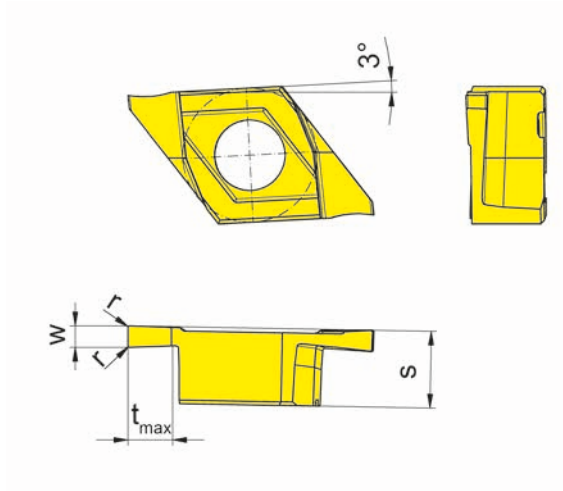
L=左手型
L = left hand version

硬质合金牌号
Carbide grades
▲ 库存
on stock
△ 4周
4 weeks

产品型号 Part number	Nw	w	t ₁	s	s ₁	r	t _{max}	HIS	AS45
RS275.1610.41	1.6	1.7	0.95	4.1	3.17	0.1	1	275041R	▲
RS275.1812.41	1.85	1.95	1.21	4.1	3.29	0.15	1.25	275041R	▲
RS275.2115.41	2.15	2.25	1.45	4.1	3.44	0.15	1.5	275041R	▲
RS275.2617.41	2.65	2.75	1.7	4.1	3.39	0.15	1.75	275041R	▲
RS275.3118.41	3.15	3.25	1.7	4.1	3.7	0.15	1.75	275041R	▲
LS275.3118.41	3.15	3.25	1.7	4.1	3.7	0.15	1.75	275041L	△
									P ●
									M ●
									K ●
									N ○
									S ●
									H -

可转位刀片 Indexable insert

S275



R=右手型-如图
R = right hand version shown

L=左手型
L = left hand version

▲ 库存
on stock

硬质合金牌号
Carbide grades
▲ 4周
4 weeks

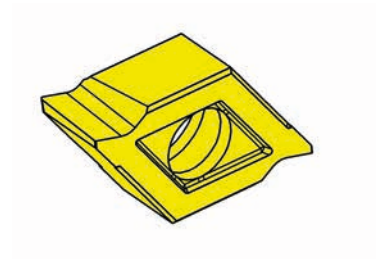
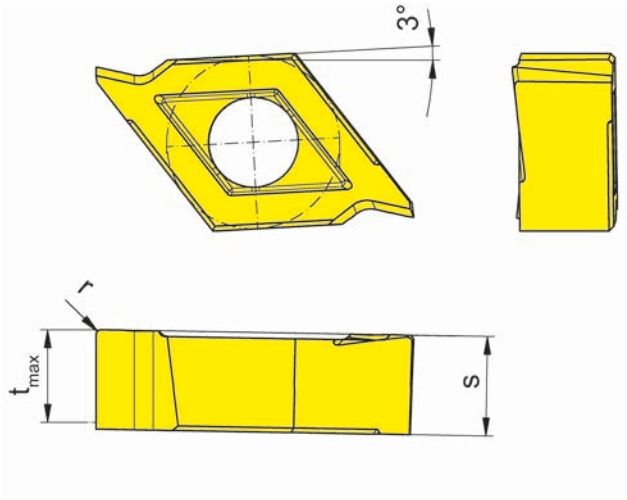
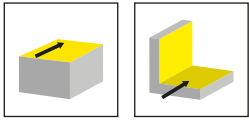
产品型号 Part number	Nw	w	s	r	t _{max}	HIS	TA45
RS275.0110.40	1.1	1.2	4.3	0.1	2.5	275043R	△
RS275.0130.40	1.3	1.4	4.3	0.1	2.5	275043R	▲
RS275.0185.40	1.85	1.95	4.3	0.15	2.5	275043R	▲
RS275.0215.40	2.15	2.25	4.3	0.15	2.5	275043R	△
RS275.0265.40	2.65	2.75	4.3	0.15	2.5	275043R	△
RS275.0315.40	3.15	3.25	4.3	0.15	2.5	275043R	△
LS275.0110.40	1.1	1.2	4.3	0.1	2.5	275043L	△
LS275.0160.40	1.6	1.7	4.3	0.1	2.5	275043L	△
LS275.0185.40	1.85	1.95	4.3	0.15	2.5	275043L	△
LS275.0215.40	2.15	2.25	4.3	0.15	2.5	275043L	△
LS275.0265.40	2.65	2.75	4.3	0.15	2.5	275043L	△
LS275.0315.40	3.15	3.25	4.3	0.15	2.5	275043L	△

P	-
M	-
K	-
N	●
S	-
H	-



可转位刀片 Indexable insert

RS275



R=右手型-如图
R = right hand version shown

硬质合金牌号
Carbide grades
▲ 库存
on stock
△ 4周
4 weeks

产品型号 Part number	r	t _{max}	s	HIS	AS45	TA45
RS275.PL40.62	0.15	4	4.3	275043R	●	▲
RS275.PL43.52	0.2	4	4.3	275043R	▲	●
					P ● ●	
					M ● ●	
					K ● ●	
					N ○ ●	
					S ● ●	
					H - -	

M380/M381



D

杆式铣刀
芯轴刀柄式铣刀
整体式铣刀
盘铣刀

孔径自 \varnothing 45 mm

End Mill
Arbour Mounted Cutter
Mono Milling Cutter
Disc Milling Cutter

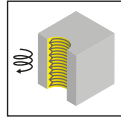
from bore \varnothing 45 mm

槽铣削(圆弧插补铣削)

Groove Milling by circular interpolation

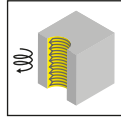


杆式铣刀
End Mill
380

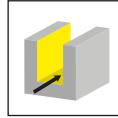


页/Page
221

芯轴刀柄式铣刀
Arbour Mounted Cutter
380/380...IK

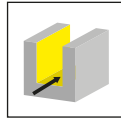


页/Page
222



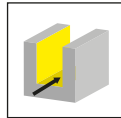
页/Page
223-225

整体式铣刀
Mono Milling Cutter
HSK380/ABS..380



页/Page
226-227

盘铣刀
Disc Milling Cutter
381



页/Page
228

可转位刀片
Indexable insert
314



页/Page
229-230



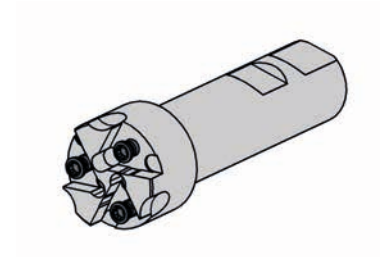
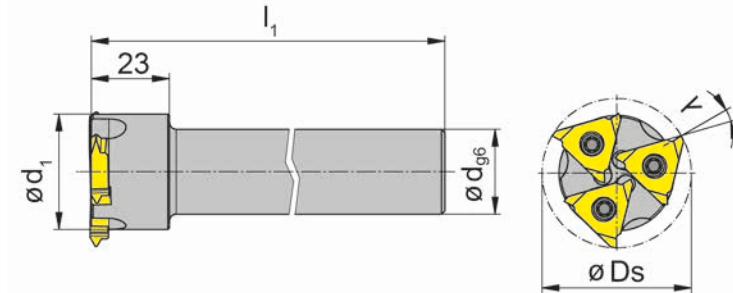
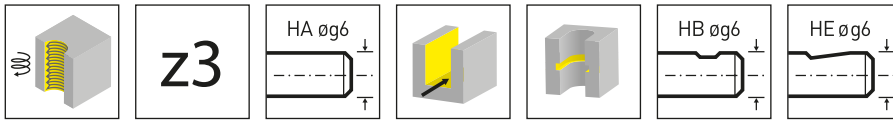
页/Page
231

D

杆式铣刀

End Mill

380



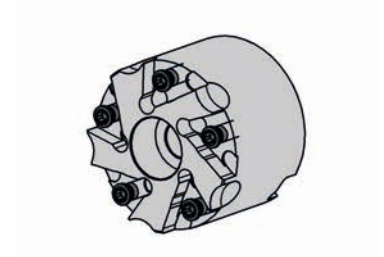
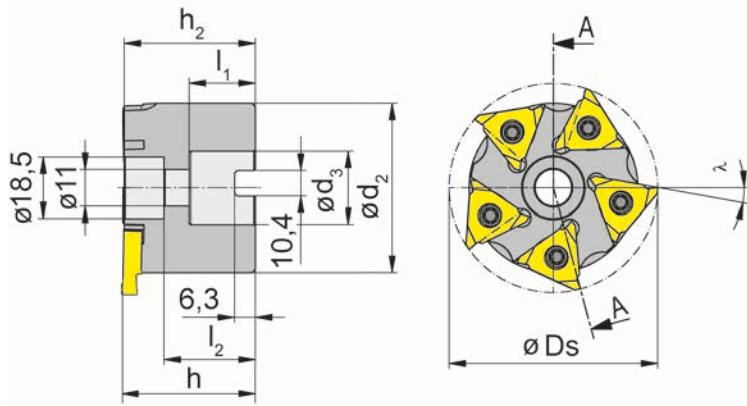
图示=右手型
Picture = right hand cutting version

产品型号 Part number	Ds	d	l ₁	d ₁	λ	形式 Form	HWS
380.0044.03A	44	25	125	34	14°	A	314027R • 314041R • 314052R
380.0044.03B	44	25	125	34	14°	B	314027R • 314041R • 314052R
380.0044.03E	44	25	125	34	14°	E	314027R • 314041R • 314052R

tmax见刀片
tmax see inserts

配件 Spare Parts

杆式铣刀 End Mill	锁紧螺钉 Clamping Screw	TORX PLUS®扳手 TORX PLUS® Wrench
380...	5.12T20P	T20PQ



D

图示=右手型
Picture = right hand cutting version

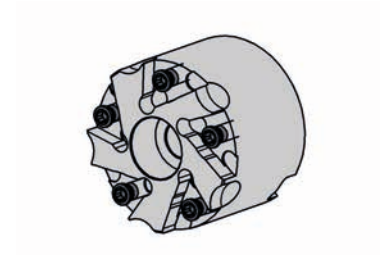
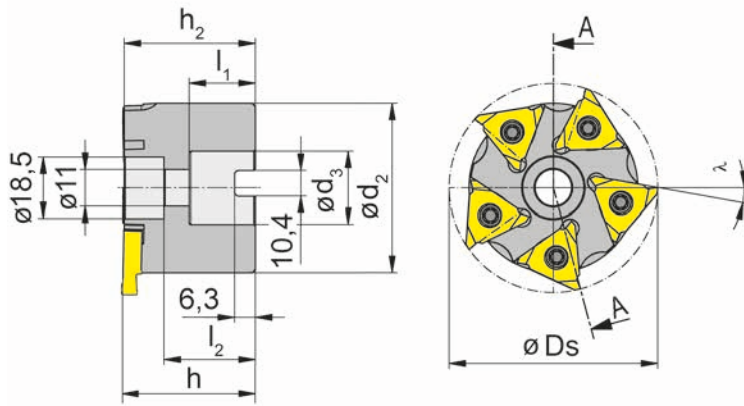
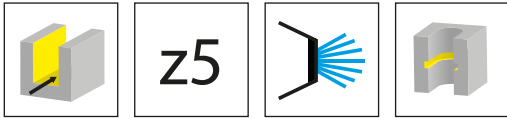
产品型号 Part number	Ds	h ₂	h	d ₃	l ₁	l ₂	λ	d ₂	HWS
380.0063.05	63	39.6	40	22	20	27.6	10°	51	314027R • 314041R • 314052R

中心孔和键槽均依据DIN138标准
Cutterhole and cross keyway as per DIN 138

t_{max}见刀片
t_{max} see inserts

配件
Spare Parts

芯轴刀柄式铣刀 Arbour Mounted Cutter	锁紧螺钉 Clamping Screw	TORX PLUS®扳手 TORX PLUS® Wrench
380.0063.05	5.12T20P	T20PQ



图示=右手型
Picture = right hand cutting version

产品型号 Part number	Z	Ds	h ₂	h	d ₃	l ₁	l ₂	λ	d ₂	HWS
380.0063.05IK	5	63	39.6	40	22	20	27.6	10°	51	314027R • 314041R • 314052R

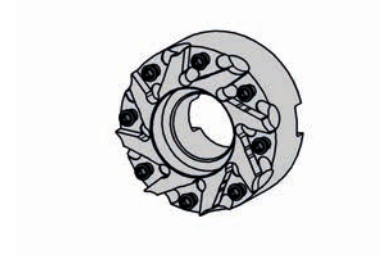
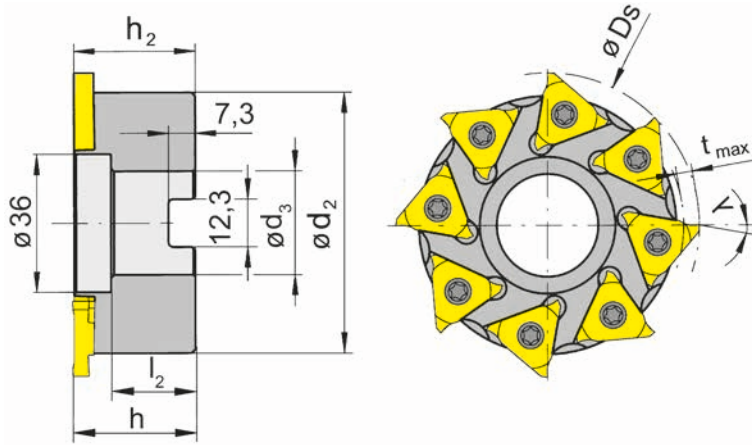
中心孔和键槽均依据DIN138标准
Cutterhole and cross keyway as per DIN 138

t_{max}见刀片
t_{max} see inserts

铣刀不包含铣刀柄-需单独订购!
Milling arbor is not combined with milling cutter - seperate order required!

配件
Spare Parts

芯轴刀柄式铣刀 Arbour Mounted Cutter	锁紧螺钉 Clamping Screw	TORX PLUS®扳手 TORX PLUS® Wrench
380.0063.05IK	5.12T20P	T20PQ



图示=右手型
Picture = right hand cutting version

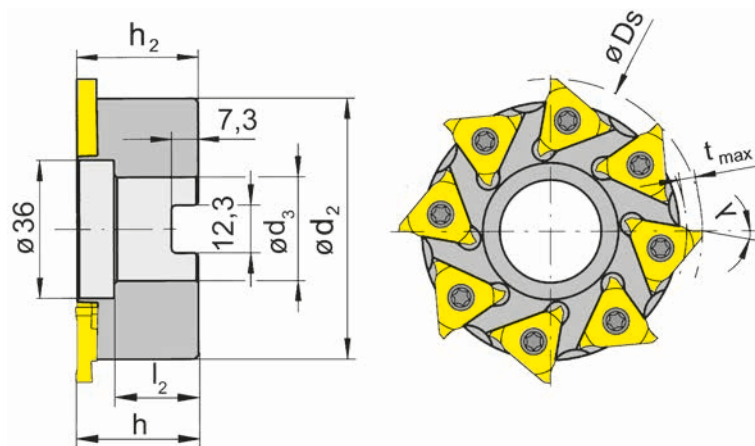
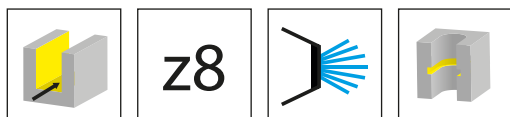
产品型号 Part number	Z	Ds	t _{max}	h ₂	h	d ₃	l ₂	λ	d ₂	HWS
380.0080.08	8	80	5	31.6	32	27	21.6	10°	68	314027R • 314041R • 314052R

中心孔和键槽均依据DIN138标准
Cutterhole and cross keyway as per DIN 138

螺钉**030.0012.0726**不包含在铣刀中-需单独订购!
Bolt screw 030.0012.0726 is combined with the milling cutter.

配件
Spare Parts

芯轴刀柄式铣刀 Arbour Mounted Cutter	锁紧螺钉 Clamping Screw	TORX PLUS®扳手 TORX PLUS® Wrench
380.0080.08	5.12T20P	T20PQ



图示=右手型

Picture = right hand cutting version

产品型号 Part number	Z	Ds	t _{max}	h ₂	h	d ₃	l ₂	λ	d ₂	HWS
380.0080.08IK	8	80	5	39.8	40	27	21.6	10°	68	314027R • 314041R • 314052R

中心孔和键槽均依据DIN138标准

Cutterhole and cross keyway as per DIN 138

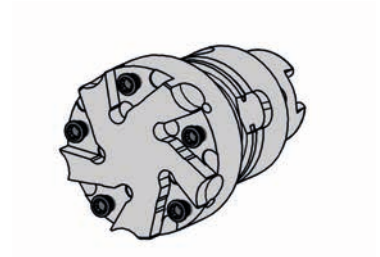
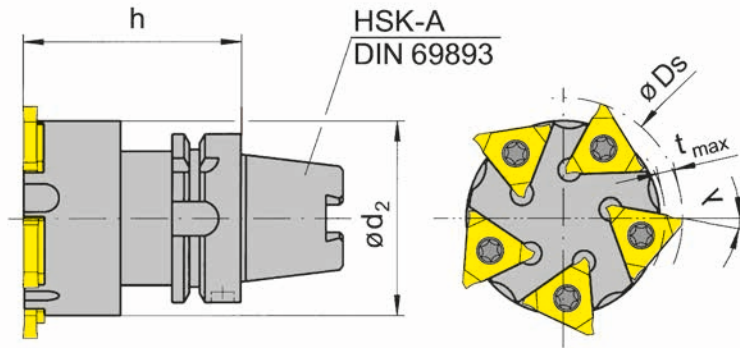
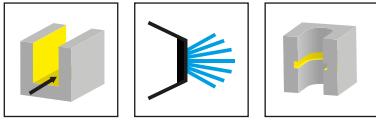
螺钉**030.0012.0726**不包含在铣刀中-需单独订购!

Bolt screw 030.0012.0726 is combined with the milling cutter.

配件

Spare Parts

芯轴刀柄式铣刀 Arbour Mounted Cutter	锁紧螺钉 Clamping Screw	TORX PLUS®扳手 TORX PLUS® Wrench
380.0080.08IK	5.12T20P	T20PQ



图示=右手型
Picture = right hand cutting version

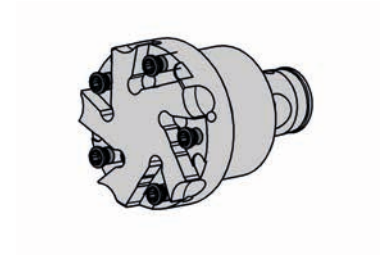
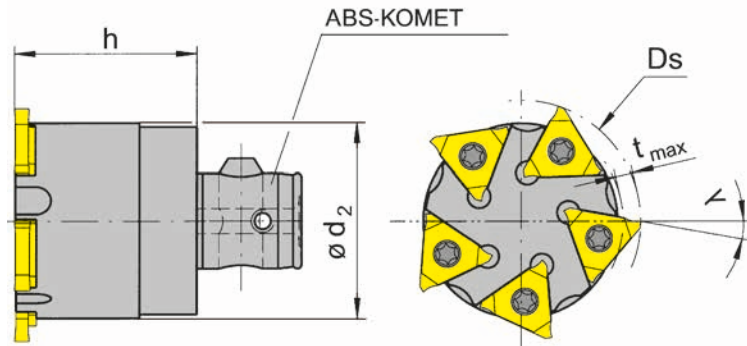
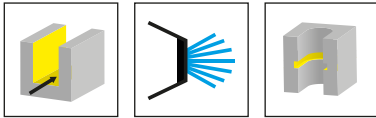
产品型号 Part number	Ds	Z	t_{max}	h	d_2	λ	HWS
HSK32-380.0044.03	44	3	3	55	34	14°	314027R • 314041R • 314052R
HSK40-380.0050.04	50	4	4	55	40	14°	314027R • 314041R • 314052R
HSK40-380.0063.05	63	5	5	55	51	10°	314027R • 314041R • 314052R
HSK50-380.0063.05	63	5	5	65	51	10°	314027R • 314041R • 314052R
HSK50-380.0080.08	80	8	8	65	68	10°	314027R • 314041R • 314052R
HSK63-380.0080.08	80	8	8	70	68	10°	314027R • 314041R • 314052R

配件
Spare Parts

整体式铣刀 Mono Milling Cutter	锁紧螺钉 Clamping Screw	TORX PLUS®扳手 TORX PLUS® Wrench
HSK32-380...	5.12T20P	T20PQ

整体式铣刀 Mono Milling Cutter

ABS..380

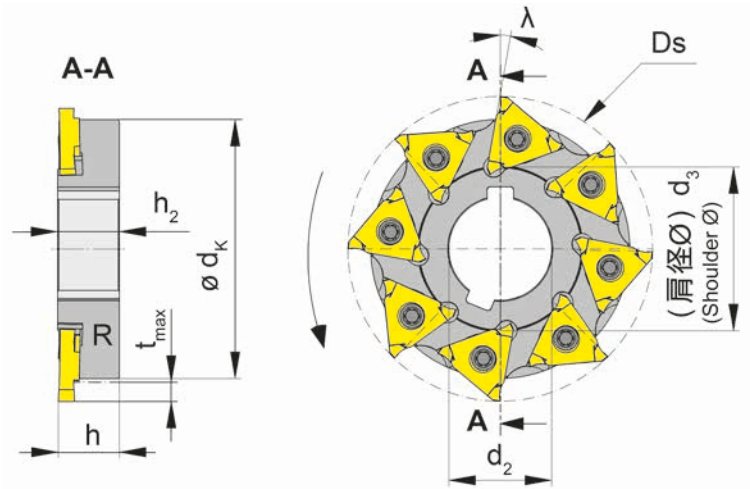
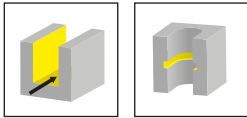


图示=右手型
Picture = right hand cutting version

产品型号 Part number	D _s	Z	λ	HWS
ABS32.380.0044.03	44	3	14°	314027R • 314041R • 314052R
ABS40.380.0050.04	50	4	14°	314027R • 314041R • 314052R
ABS50.380.0063.05	63	5	10°	314027R • 314041R • 314052R
ABS50.380.0080.08	80	8	10°	314027R • 314041R • 314052R
ABS63.380.0080.08	80	8	10°	314027R • 314041R • 314052R

配件 Spare Parts

整体式铣刀 Mono Milling Cutter	锁紧螺钉 Clamping Screw	TORX PLUS®扳手 TORX PLUS® Wrench
ABS32...	5.12T20P	T20PQ



图示=右手型
Picture = right hand cutting version

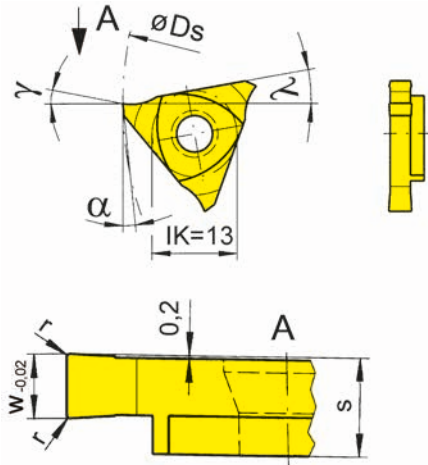
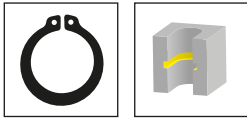
产品型号 Part number	Z	Ds	d ₂	h ₂	h	d _k	λ	d ₃	HWS
R381.0063.05	5	63	22	14.2	14	51	14°	34	314027R • 314041R • 314052R
R381.0080.08	8	80	27	16.2	16	68	10°	43	314027R • 314041R • 314052R
R381.0100.10	10	100	32	20.2	20	88	10°	48	314027R • 314041R • 314052R
L381.0063.05	5	63	22	14.2	14	51	14°	34	314027L • 314041L • 314052L
L381.0080.08	8	80	27	16.2	16	68	10°	43	314027L • 314041L • 314052L
L381.0100.10	10	100	32	20.2	20	88	10°	48	314027L • 314041L • 314052L

孔(d₂)带纵向DIN138标准键槽
Bore (d₂) with longitudinal keyway to DIN 138

t_{max}见刀片
t_{max} see inserts

配件 Spare Parts

盘铣刀 Disc Milling Cutter	锁紧螺钉 Clamping Screw	TORX PLUS®扳手 TORX PLUS® Wrench
R/L381...	5.12T20P	T20PQ



R=右手型-如图
R = right hand version shown

L=左手型
L = left hand version

硬质合金牌号
Carbide grades
▲ 库存
on stock
△ 4周
4 weeks

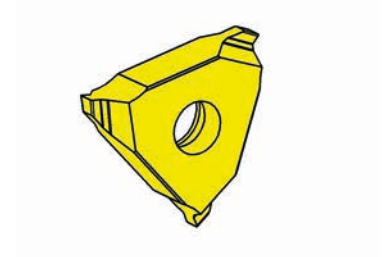
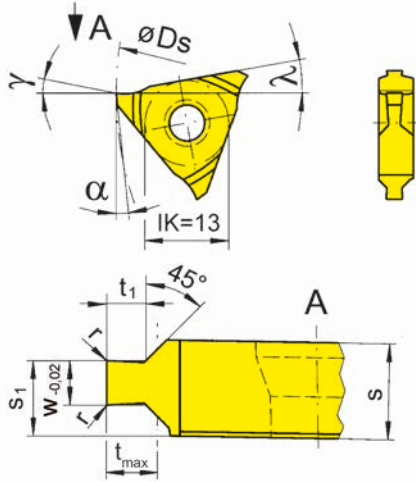
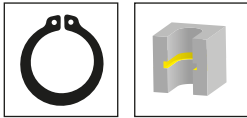
产品型号 Part number	Nw	w	r	s	HIS	MG12	AS45	TI25	TN35
R314.0130.00	1.3	1.41	0.1	5.4	314027R		▲		▲
R314.0160.00	1.6	1.71	0.1	5.4	314027R		▲		▲
R314.0185.00	1.85	1.96	0.15	5.4	314027R		▲		▲
R314.0215.00	2.15	2.26	0.15	5.4	314027R	▲	▲		▲
R314.0265.00	2.65	2.76	0.15	5.4	314027R	▲	▲	▲	▲
R314.0315.00	3.15	3.26	0.15	5.4	314027R	▲	▲	▲	▲
R314.0415.00	4.15	4.26	0.15	5.4	314041R	▲	▲	▲	▲
R314.0515.00	5.15	5.26	0.15	5.4	314052R	▲	▲	▲	▲
L314.0130.00	1.3	1.41	0.1	5.4	314027L				▲
L314.0160.00	1.6	1.71	0.1	5.4	314027L				▲
L314.0185.00	1.85	1.96	0.15	5.4	314027L		▲		
L314.0215.00	2.15	2.26	0.15	5.4	314027L	△	▲		
L314.0265.00	2.65	2.76	0.15	5.4	314027L	△			▲
L314.0315.00	3.15	3.26	0.15	5.4	314027L	△	▲		▲
L314.0415.00	4.15	4.26	0.15	5.4	314041L	△	△		▲
L314.0515.00	5.15	5.26	0.15	5.4	314052L	△	▲		▲

几何形状取决于安装角度 λ
Geometrie depending on angle of seating λ

λ	γ	α
10°	15°	6°
14°	11°	10°

P	o	•	•	•
M	-	•	•	•
K	-	•	•	•
N	-	o	•	•
S	-	•	•	•
H	-	-	-	-





D

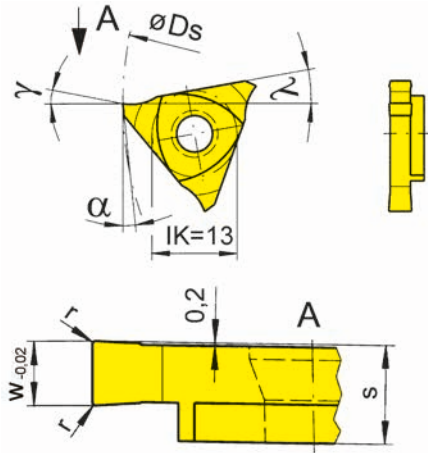
R=右手型-如图
R = right hand version shown

L=左手型
L = left hand version

硬质合金牌号
Carbide grades
▲ 库存
on stock
△ 4周
4 weeks

产品型号 Part number	Nw	w	r	s_1	s	t_{max}	t_1	HIS	AS45	TN35
R314.1105.54	1.1	1.21	0.1	4.52	5.45	0.5	0.49	314041R		
R314.1307.54	1.3	1.41	0.1	4.62	5.45	0.75	0.67	314041R	△	△
R314.1308.54	1.3	1.41	0.1	4.62	5.45	0.85	0.83	314041R		
R314.1609.54	1.6	1.71	0.1	4.52	5.45	0.85	0.83	314041R	▲	▲
R314.1610.54	1.6	1.71	0.1	4.52	5.45	1	0.97	314041R	△	△
R314.1812.54	1.85	1.96	0.15	4.64	5.45	1.25	1.23	314041R	▲	▲
R314.2115.54	2.15	2.26	0.15	4.79	5.45	1.5	1.47	314041R	▲	▲
R314.2616.54	2.65	2.76	0.15	4.54	5.45	1.5	1.47	314041R	▲	▲
R314.2617.54	2.65	2.76	0.15	4.54	5.45	1.75	1.72	314041R	▲	▲
R314.3118.54	3.15	3.26	0.15	4.54	5.45	1.75	1.72	314041R	▲	▲
R314.4120.54	4.15	4.26	0.15	4.99	5.45	2	1.97	314041R	▲	▲
R314.4125.54	4.15	4.26	0.15	4.99	5.45	2.5	2.47	314041R	▲	▲
R314.5130.61	5.15	5.26	0.15	5.85	6.1	3	2.97	314052R	▲	▲
L314.1105.54	1.1	1.21	0.1	4.52	5.45	0.5	0.49	314041L		△
L314.1307.54	1.3	1.41	0.1	4.62	5.45	0.75	0.67	314041L		△
L314.1308.54	1.3	1.41	0.1	4.62	5.45	0.85	0.83	314041L		△
L314.1609.54	1.6	1.71	0.1	4.52	5.45	0.85	0.83	314041L	▲	▲
L314.1610.54	1.6	1.71	0.1	4.52	5.45	1	0.97	314041L		▲
L314.1812.54	1.85	1.96	0.15	4.64	5.45	1.25	1.23	314041L		▲
L314.2115.54	2.15	2.26	0.15	4.79	5.45	1.5	1.47	314041L		▲
L314.2616.54	2.65	2.76	0.15	4.54	5.45	1.5	1.47	314041L		▲
L314.2617.54	2.65	2.76	0.15	4.54	5.45	1.75	1.72	314041L		▲
L314.3118.54	3.15	3.26	0.15	4.54	5.45	1.75	1.72	314041L	△	
L314.4120.54	4.15	4.26	0.15	4.99	5.45	2	1.97	314041L	△	△
L314.4125.54	4.15	4.26	0.15	4.99	5.45	2.5	2.47	314041L		△
L314.5130.61	5.15	5.26	0.15	5.85	6.1	3	2.97	314052L		△

P	●	●
M	●	●
K	●	●
N	○	●
S	●	●
H	-	-



R=右手型-如图
R = right hand version shown

L=左手型
L = left hand version

▲ 库存
on stock

硬质合金牌号
Carbide grades
▲ 4周
4 weeks

产品型号 Part number	Nw	w	r	s	HIS	MG12	TI25	TN35
R314.0215.40	2.15	2.26	0.15	5.4	314027R	Δ	Δ	Δ
R314.0265.40	2.65	2.76	0.15	5.4	314027R	Δ	Δ	▲
R314.0315.40	3.15	3.26	0.15	5.4	314027R	Δ	Δ	▲
L314.0215.40	2.15	2.26	0.15	5.4	314027L	Δ	Δ	Δ
L314.0265.40	2.65	2.76	0.15	5.4	314027L	Δ	Δ	Δ
L314.0315.40	3.15	3.26	0.15	5.4	314027L	Δ	Δ	Δ

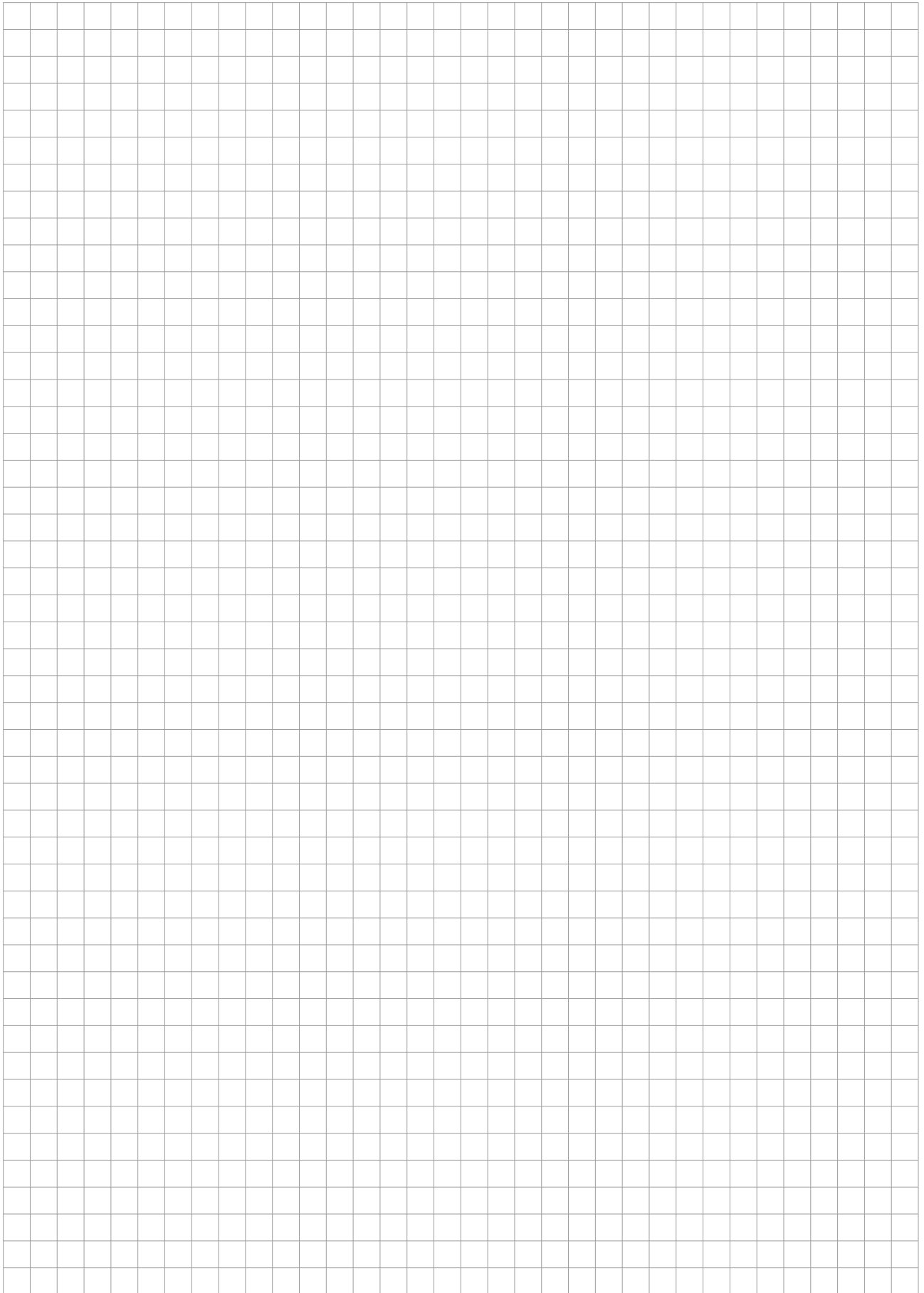
几何形状取决于安装角度 λ
Geometrie depending on angle of seating λ

λ	γ	α
10°	15°	6°
14°	11°	10°

P	-	-	-
M	-	-	-
K	-	-	-
N	o	•	•
S	-	-	-
H	-	-	-

D

D



M101



E

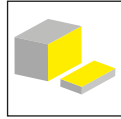
槽铣刀

切削刃自 \varnothing 63 mm
槽宽 1.2 - 4.6 mm

Groove milling cutter

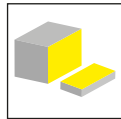
from cutting edge \varnothing 63 mm
Width of groove 1,2 - 4,6 mm

槽铣刀
Groove milling cutter
M101



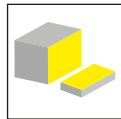
页/Page
235

盘铣刀
Disc Milling Cutter
M101



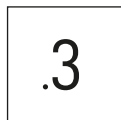
页/Page
236-237

芯轴刀柄式铣刀
Arbour Mounted Cutter
M101



页/Page
238-239

刀片
Insert
S101



页/Page
240, 243



页/Page
241-242



页/Page
244

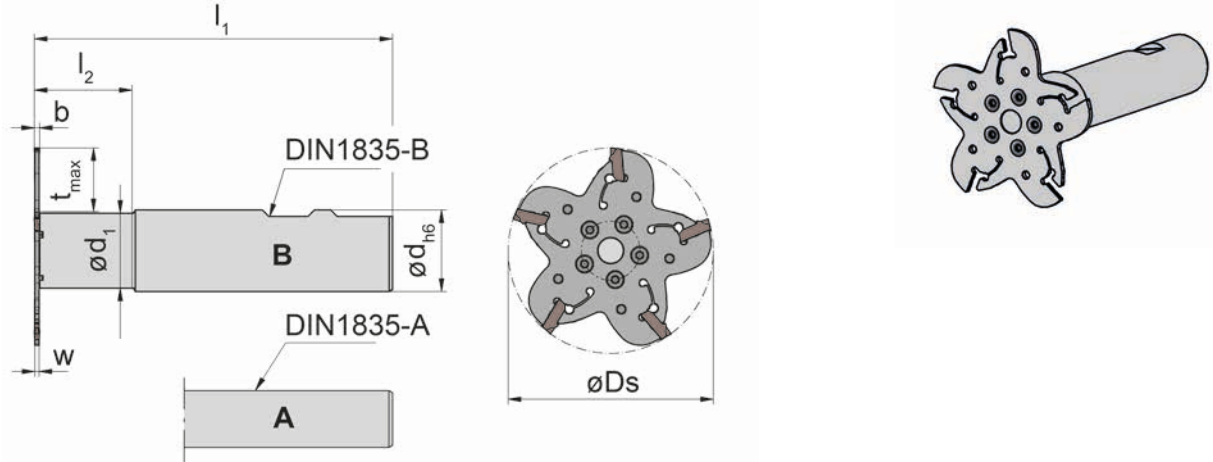
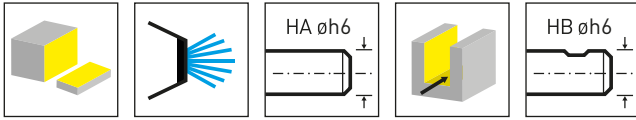
技术信息
Technical Instructions

页/Page
245

E

槽铣刀 Groove milling cutter

M101



图示=右手型
Picture = right hand cutting version

产品型号 Part number	Z	Ds	d	l ₁	l ₂	d ₁	b	t _{max}	形式 Form	槽宽 Width of groove	n _{max}	HWS
M101.063.D16.23.2.12A	5	63	16	110	30	23	0.95	19.5	A	1.2-1.2	7500	10112
M101.063.D16.23.2.14A	5	63	16	110	30	23	1.15	19.5	A	1.4-1.4	7500	10114
M101.063.D16.23.2.16A	5	63	16	110	30	23	1.3	19.5	A	1.6-1.8	7500	10116
M101.063.D16.23.2.20A	5	63	16	110.35	30.4	23	1.6	19.5	A	2.0-2.3	7500	10120
M101.063.D20.23.2.12B	5	63	20	110	30	23	0.95	19.5	B	1.2-1.2	7500	10112
M101.063.D20.23.2.14B	5	63	20	110	30	23	1.15	19.5	B	1.4-1.4	7500	10140
M101.063.D20.23.2.16B	5	63	20	110	30	23	1.3	19.5	B	1.6-1.8	7500	10116
M101.063.D20.23.2.20B	5	63	20	110.35	30.4	23	1.6	19.5	B	2.0-2.3	7500	10120
M101.063.D25.23.2.12B	5	63	25	110	30	23	0.95	19.5	B	1.2-1.2	7500	10112
M101.063.D25.23.2.16B	5	63	25	110	30	23	1.3	19.5	B	1.6-1.8	7500	10116
M101.063.D25.23.2.20B	5	63	25	110	30	23	1.6	19.5	B	2.0-2.3	7500	10120

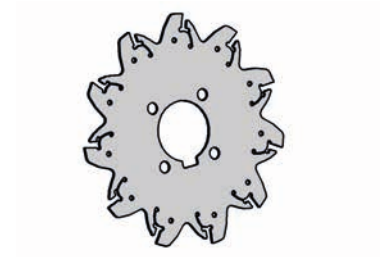
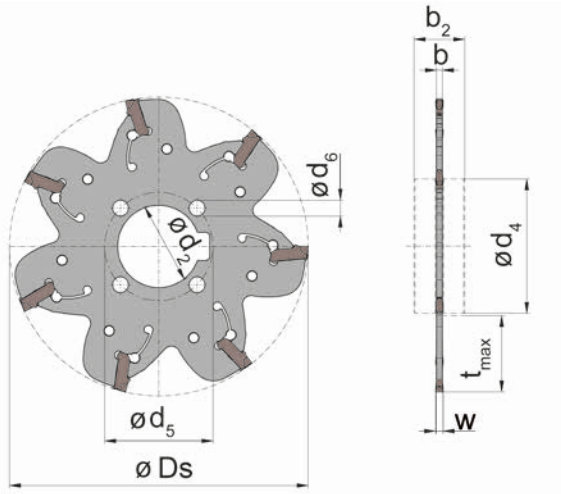
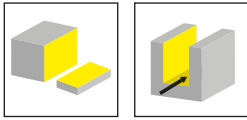
P101.01扳手不包括在铣刀中-需另行订购!
Wrench P101.01 is not combined with slotting cutter - separate order required!

配件 Spare Parts

槽铣刀 Groove milling cutter	刀柄 Shank	刀板 Blade	TORX PLUS®扳手 TORX PLUS® Wrench	锁紧螺钉 Clamping Screw
M101.063.D16.23.2.12A	020.D16.23.2.12 A	M101.0063.28.23.12	T8PL	
M101.063.D16.23.2.14A	020.D16.23.2.12 A	M101.0063.28.23.14	T8PL	
M101.063.D16.23.2.16A	020.D16.23.2.16A	M101.0063.28.23.16	T8PL	
M101.063.D16.23.2.20A	020.D16.23.2.16A	M101.0063.28.23.20	T8PL	
M101.063.D20.23.2.12B	020.D20.23.2.12B	M101.0063.28.23.12	T8PL	
M101.063.D20.23.2.14B	020.D20.23.2.12B	M101.0063.28.23.14	T8PL	
M101.063.D20.23.2.16B	020.D20.23.2.16B	M101.0063.28.23.16	T8PL	
M101.063.D20.23.2.20B	020.D20.23.2.16B	M101.0063.28.23.20	T8PL	
M101.063.D25.23.2.12B	020.D25.23.2.12B	M101.0063.28.23.12	T8PL	030.3543.T8P
M101.063.D25.23.2.16B	020.D25.23.2.16B	M101.0063.28.23.16	T8PL	030.3543.T8P
M101.063.D25.23.2.20B	020.D25.23.2.20B	M101.0063.28.23.20	T8PL	030.3543.T8P

盘铣刀 Disc Milling Cutter

M101



E

图示=右手型
Picture = right hand cutting version

产品型号 Part number	Z	Ds	t _{max}	b	d ₂	b ₂	d ₄	d ₆	d ₅	槽宽 Width of groove	n _{max}	HWS
M101.0080.22.12	7	80	20	0.95	22	13	36	4.25	29	1.2-1.2	6000	10112
M101.0080.22.14	7	80	20	1.15	22	13.1	36	4.25	29	1.4-1.4	6000	10114
M101.0080.22.16	7	80	20	1.3	22	13.3	36	4.25	29	1.6-1.8	6000	10116
M101.0100.22.16	9	100	30	1.3	22	13.3	36	4.25	29	1.6-1.8	5000	10116
M101.0125.32.16	11	125	33	1.3	32	21.3	55	6.25	45	1.6-1.8	4000	10116
M101.0080.22.20	7	80	20	1.6	22	13.6	36	4.25	29	2.0-2.3	6000	10120
M101.0100.22.20	9	100	30	1.6	22	13.6	36	4.25	29	2.0-2.3	5000	10120
M101.0125.32.20	11	125	33	1.6	32	21.6	55	6.25	45	2.0-2.3	4000	10120

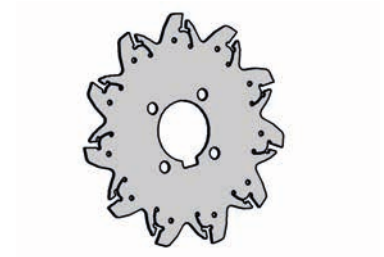
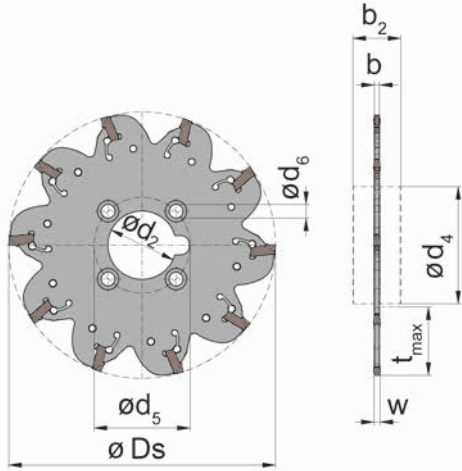
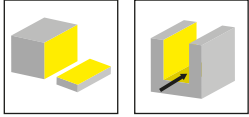
扳手P101.01和传动垫圈组不包括在铣刀内-需另行订购!
Wrench P101.01 and the driving collar sets are not combined with slotting cutter - separate order required!

配件 Spare Parts

盘铣刀 Disc Milling Cutter	传动垫圈组 Driving hole ringset
M101.0...	020.22.06.36
M101.0125.32.16/...20	020.32.10.55

盘铣刀 Disc Milling Cutter

M101



图示=右手型
Picture = right hand cutting version

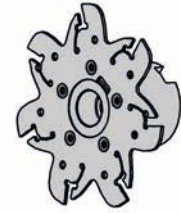
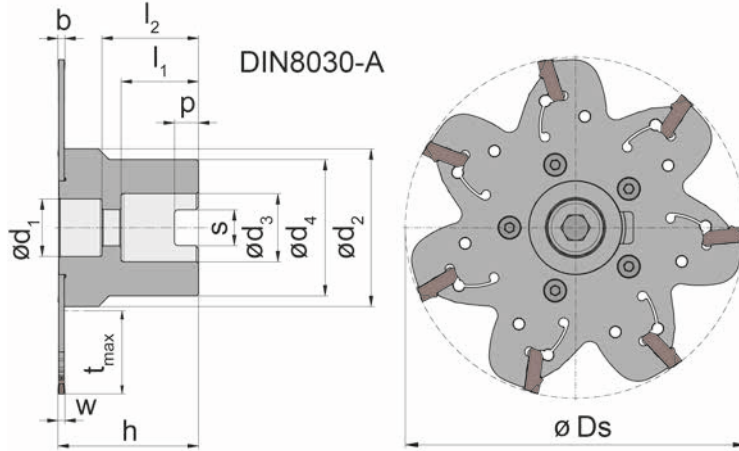
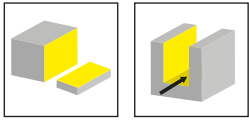
产品型号 Part number	Z	Ds	t _{max}	b	d ₂	b ₂	d ₄	d ₆	d ₅	槽宽 Width of groove	n _{max}	HWS
M101.0080.22.30	6	80	20	2.4	22	14.4	36	4.25	29	2.8-3.4	6000	10130
M101.0100.22.30	8	100	26	2.4	22	22.4	46	5.25	32	2.8-3.4	5000	10130
M101.0125.32.30	10	125	34	2.4	32	22.4	55	6.25	45	2.8-3.4	4000	10130
M101.0160.40.30	12	160	39	2.4	40	26.4	80	11.25	63	2.8-3.4	3000	10130
M101.0080.22.40	6	80	20	3.2	22	15.2	36	4.25	29	3.8-4.6	6000	10140
M101.0100.22.40	8	100	26	3.2	22	23.2	46	5.25	32	3.8-4.6	5000	10140
M101.0125.32.40	10	125	34	3.2	32	23.2	55	6.25	45	3.8-4.6	4000	10140
M101.0160.40.40	12	160	39	3.2	40	27.2	80	11.25	63	3.8-4.6	3000	10140
M101.0200.40.40	16	200	59	3.2	40	27.2	80	11.25	63	3.8-4.6	2500	10140

扳手P101.02和传动垫圈组不包括在铣刀内-需另行订购!
Wrench P101.02 and the driving collar sets are not combined with slotting cutter - separate order required!

配件 Spare Parts

盘铣刀 Disc Milling Cutter	传动垫圈组 Driving hole ringset
M101.0...	020.22.06.36
M101.0125.32.16/...20	020.32.10.55

E



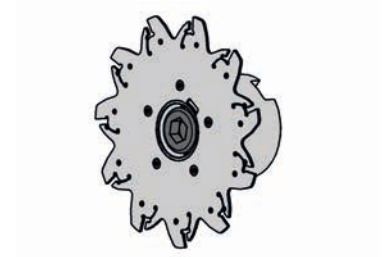
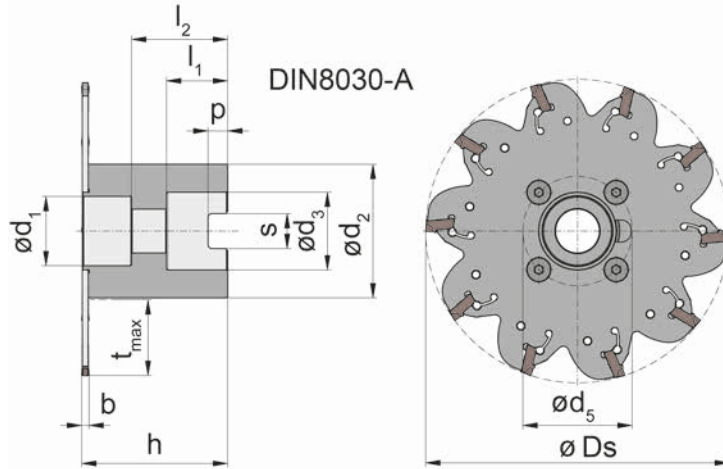
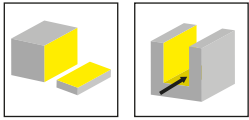
图示=右手型
Picture = right hand cutting version

产品型号 Part number	Z	Ds	t _{max}	h	b	d ₁	d ₄	l ₁	l ₂	s	P	d ₂	d ₃	n _{max}	槽宽 Width of groove	HWS
M101.0080.A16.12	7	80	20	33	0.95	13.5	32	18	22.7	8.4	5.6	37	16	6000	1.2-1.2	10112
M101.0080.A16.14	7	80	20	33.2	1.15	13.5	32	18	22.7	8.4	5.6	37	16	6000	1.4-1.4	10114
M101.0080.A16.16	7	80	20	33	1.3	13.5	32	18	22.7	8.4	5.6	37	16	6000	1.6-1.8	10116
M101.0100.A22.16	9	100	28	37	1.3	18.5	40.5	20	24.7	10.4	6.3	40.5	22	5000	1.6-1.8	10116
M101.0125.A32.16	11	125	34	50	1.3	28.5	45	25	36.7	14.4	8	55	32	4000	1.6-1.8	10116
M101.0080.A16.20	7	80	20	33	1.6	13.5	32	18	22.7	8.4	5.6	37	16	6000	2.0-2.3	10120
M101.0100.A22.20	9	100	28	37	1.6	18.5	40.5	20	24.7	10.4	6.3	40.5	22	5000	2.0-2.3	10120
M101.0125.A32.20	11	125	34	50	1.6	28.5	45	25	36.7	14.4	8	55	32	4000	2.0-2.3	10120

P101.01扳手不包括在铣刀中-需另行订购!
Wrench P101.01 is not combined with slotting cutter - separate order required!

配件
Spare Parts

芯轴刀柄式铣刀 Arbour Mounted Cutter	锁紧螺钉 Clamping Screw	刀板 Blade	TORX PLUS®扳手 TORX PLUS® Wrench
M101.0080.A16.12	030.3543.T8P	M101.0080.28.12	T8PL
M101.0080.A16.14	030.3543.T8P	M101.0080.28.14	T8PL
M101.0080.A16.16	030.3543.T8P	M101.0080.28.16	T8PL
M101.0100.A22.16	030.3543.T8P	M101.0100.28.16	T8PL
M101.0125.A32.16	030.3543.T8P	M101.0125.28.16	T8PL
M101.0080.A16.20	030.3543.T8P	M101.0080.28.20	T8PL
M101.0100.A22.20	030.3543.T8P	M101.0100.28.20	T8PL
M101.0125.A32.20	030.3543.T8P	M101.0125.28.20	T8PL



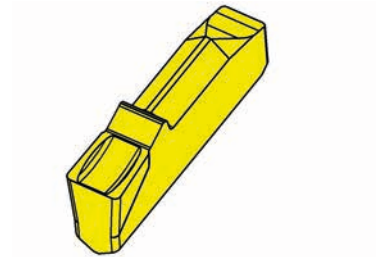
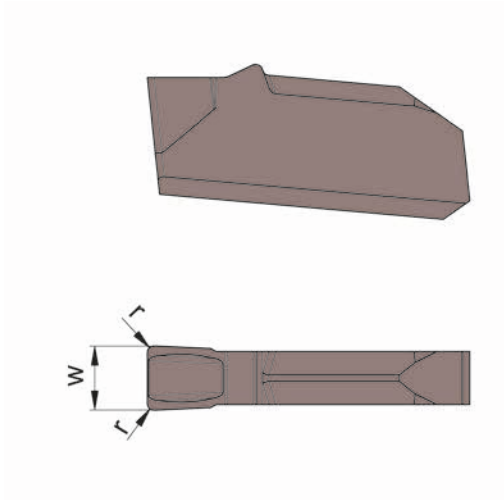
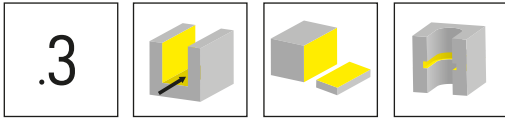
图示=右手型
Picture = right hand cutting version

产品型号 Part number	Z	Ds	t _{max}	h	b	d ₁	l ₁	l ₂	s	P	d ₂	d ₃	n _{max}	槽宽 Width of groove	HWS
M101.0080.A22.30	6	80	19	37	2.4	18.5	20	24.7	10.4	6.3	22	22	5000	2.8-3.4	10130
M101.0100.A22.30	8	100	29	37	2.4	18.5	20	24.7	10.4	6.3	40	22	5000	2.8-3.4	10130
M101.0125.A32.30	10	125	34	50	2.4	28.5	25	36.7	14.4	8	55	32	4000	2.8-3.4	10130
M101.0160.A40.30	12	160	39	50	2.4	34.5	28	35	16.4	9	80	40	3000	2.8-3.4	10130
M101.0080.A22.40	6	80	19	37.9	3.2	18.5	20	24.7	10.4	6.3	22	22	5000	3.8-4.6	10140
M101.0100.A22.40	8	100	29	37.9	3.2	18.5	20	24.7	10.4	6.3	40	22	5000	3.8-4.6	10140
M101.0125.A32.40	10	125	34	50.9	3.2	28.5	25	36.7	14.4	8	55	32	4000	3.8-4.6	10140
M101.0160.A40.40	12	160	39	50.9	3.2	34.5	28	35	16.4	9	80	40	3000	3.8-4.6	10140
M101.0200.A40.40	16	200	59	50.9	3.2	34.5	28	35	16.4	9	80	40	2500	3.8-4.6	10140

P101.02扳手不包括在铣刀中-需另行订购!
Wrench P101.02 is not combined with slotting cutter - separate order required!

配件
Spare Parts

芯轴刀柄式铣刀 Arbour Mounted Cutter	锁紧螺钉 Clamping Screw	刀板 Blade	TORX PLUS®扳手 TORX PLUS® Wrench
M101.0080.A22.30	030.0520.0912	M101.0080.28.30	T15PQ
M101.0100.A22.30	030.0520.0912	M101.0100.22.30	T15PQ
M101.0125.A32.30	030.0620.0913	M101.0125.32.30	T20PQ
M101.0160.A40.30	030.1030.0911	M101.0160.40.30	
M101.0080.A22.40	030.0520.0912	M101.0080.28.40	T15PQ
M101.0100.A22.30	030.0520.0912	M101.0100.22.40	T15PQ
M101.0125.A32.30	030.0620.0913	M101.0125.32.40	T20PQ
M101.0160.A40.30	030.1030.0911	M101.0160.40.40	
M101.0200.A40.40	030.1030.0911	M101.0080.28.40	



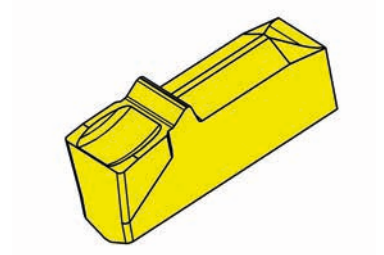
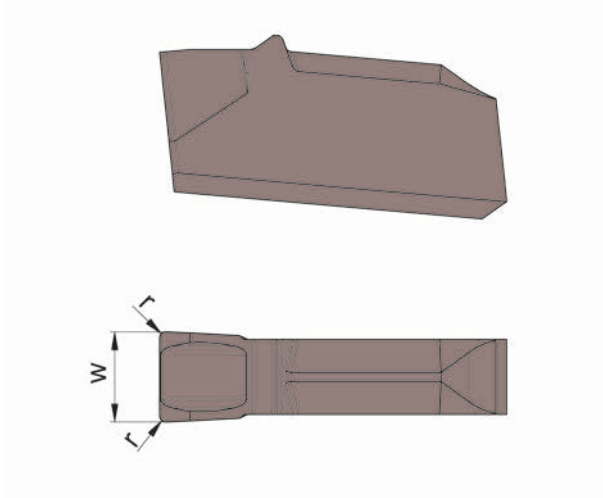
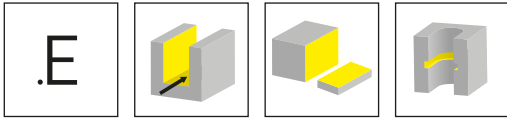
E

硬质合金牌号
Carbide grades

▲ 库存
on stock

△ 4周
4 weeks

产品型号 Part number	w	r	HIS	AS45	IG35
S101.0120.315	1.2	0.15	10112	▲	▲
S101.0140.315	1.4	0.15	10114	▲	▲
S101.0160.315	1.6	0.15	10116	▲	▲
S101.0200.320	2	0.2	10120	▲	▲
S101.0250.320	2.5	0.2	10120	△	△
				P ● -	
				M ● ●	
				K ● -	
				N ○ -	
				S ● ●	
				H - -	

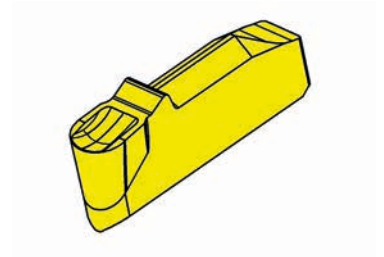
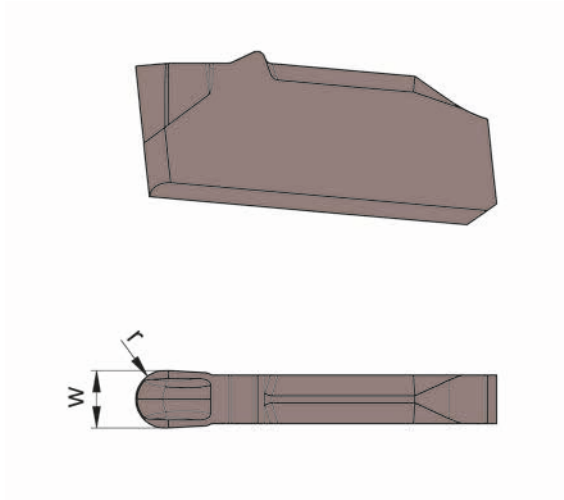
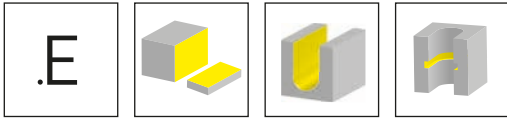


硬质合金牌号
Carbide grades

▲ 库存
on stock

△ 4周
4 weeks

产品型号 Part number	w	r	HIS	AS45
S101.0300.E32	3	0.2	10130	▲
S101.0400.E33	4	0.3	10140	▲
				P ●
				M ●
				K ●
				N ○
				S ●
				H -



E

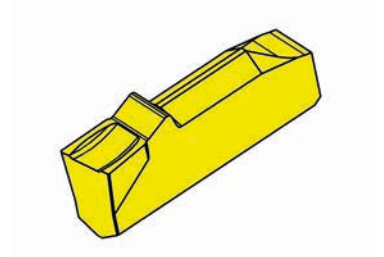
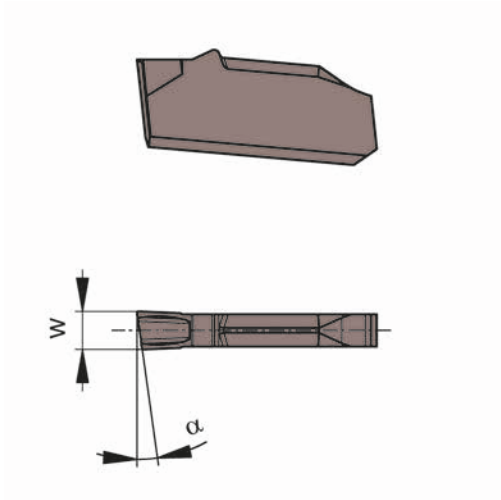
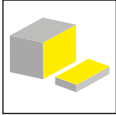
硬质合金牌号
Carbide grades

▲ 库存
on stock

△ 4周
4 weeks

产品型号 Part number	w	r	HIS	AS45
S101.0160.E3.R08	1.6	0.8	10116	▲
S101.0200.E3.R10	2	1	10120	▲
S101.0300.E3.R15	3	1.5	10130	▲
				P ●
				M ●
				K ●
				N ○
				S ●
				H -

.3



R=右手型-如图
R = right hand version shown

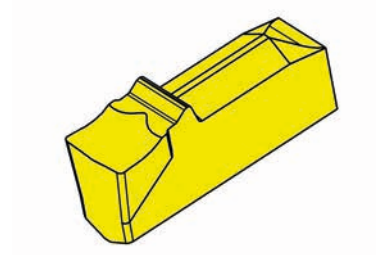
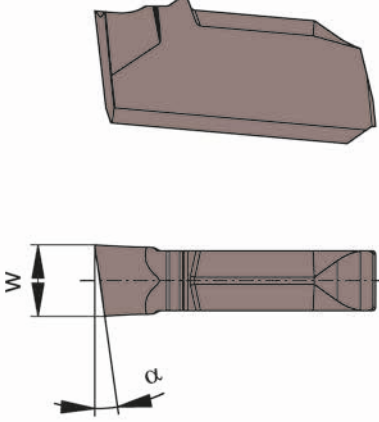
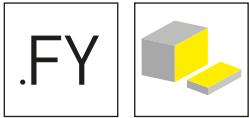
L=左手型
L = left hand version

▲ 库存
on stock

硬质合金牌号
Carbide grades
△ 4周
4 weeks

产品型号 Part number	w	α	HIS	硬质合金牌号 Carbide grades		
				AS45	EG55	IG35
RS101.0812.30	1.2	8°	10112		▲	▲
RS101.0816.30	1.6	8°	10116	▲		▲
RS101.0820.30	2	8°	10120	▲		▲
RS101.0825.30	2.5	8°	10120	▲		▲
LS101.0812.30	1.2	8°	10112		▲	▲
LS101.0816.30	1.6	8°	10116	▲		▲
LS101.0820.30	2	8°	10120	▲		▲
LS101.0825.30	2.5	8°	10120	▲		▲
				P ●	●	-
				M ●	○	●
				K ●	○	-
				N ○	-	-
				S ●	-	●
				H -	-	-

E



E

R=右手型-如图
R = right hand version shown

L=左手型
L = left hand version

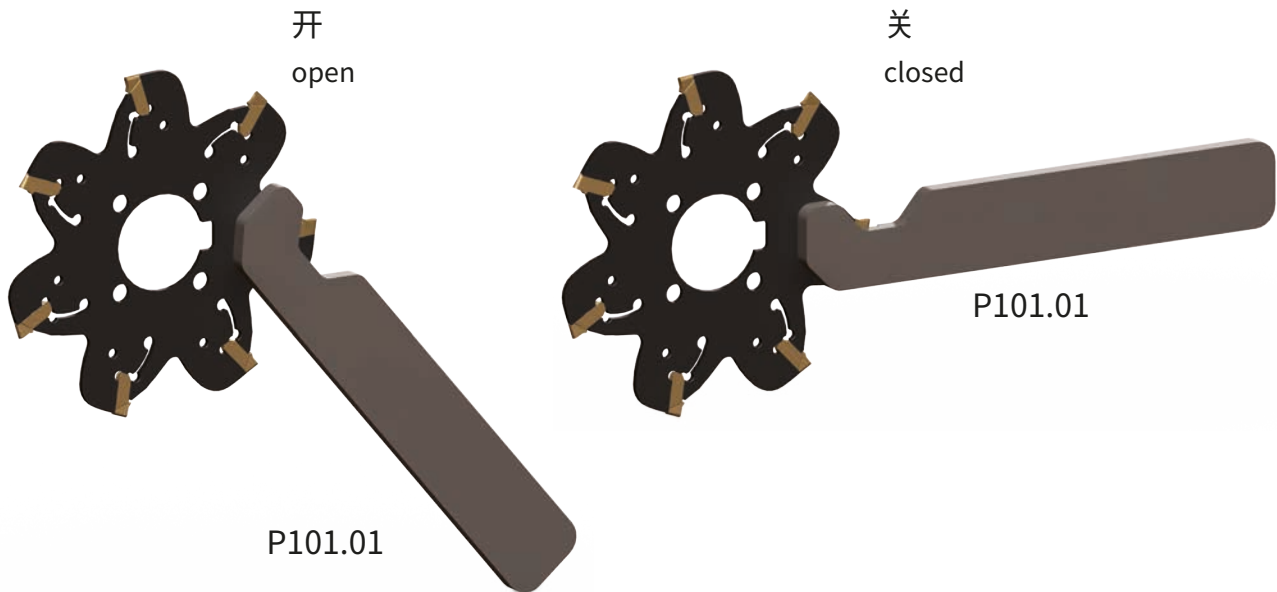
▲ 库存
on stock

硬质合金牌号
Carbide grades
▲ 4周
4 weeks

产品型号 Part number	w	α	HIS	AS45	IG35
RS101.0830.FY0	3	8°	10130	▲	▲
LS101.0830.FY0	3	8°	10130	▲	▲
				P ● -	
				M ● ●	
				K ● -	
				N ○ -	
				S ● ●	
				H - -	

定位夹紧扳手 P101.01

Setting position clamping wrench P101.01



仅使用逆铣的方式可避免铁屑堵塞。

更换刀片后，将进给量降低 50%，直至达到 0.5 - 1 毫米的初始切削深度

Use only conventional milling to avoid chip jamming.
After changing inserts, reduce the feed rate by 50% until an initial depth of cut of 0.5 - 1 mm is reached

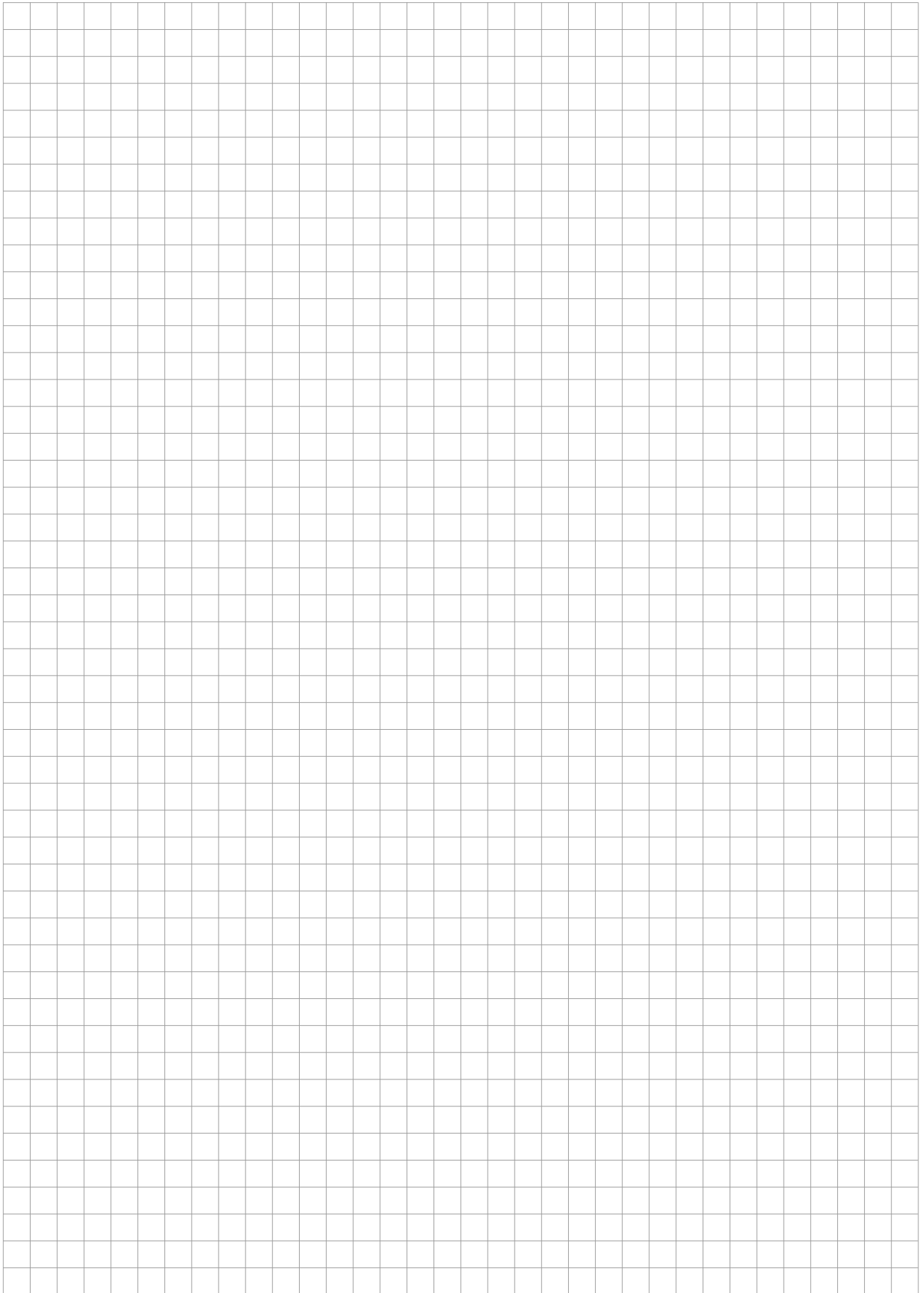
请注意最大转速!

Please note the max. revolutions!

Ø 盘铣刀 Ø Disc milling cutter	最大转速 n_{\max} max. Revolutions n_{\max}
Ø 63 mm	7.500 min ⁻¹
Ø 80 mm	6.000 min ⁻¹
Ø 100 mm	5.000 min ⁻¹
Ø 125 mm	4.000 min ⁻¹
Ø 160 mm	3.000 min ⁻¹
Ø 200 mm	2.500 min ⁻¹



E





F

系列/System

382/383

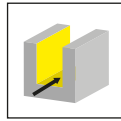
M310

页/Page

248

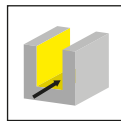
262

盘铣刀
Disc Milling Cutter
382



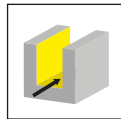
页/Page
250-253

芯轴刀柄式铣刀
Arbour Mounted Cutter
383



页/Page
254-256

可转位刀片
Indexable insert
314



页/Page
257



页/Page
258-260

F

382/383



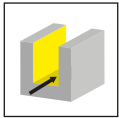
F

**盘铣刀
芯轴刀柄式铣刀**

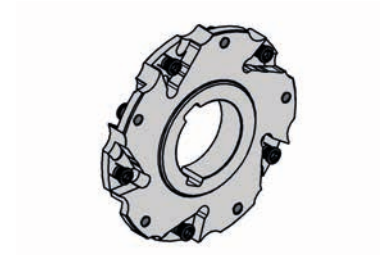
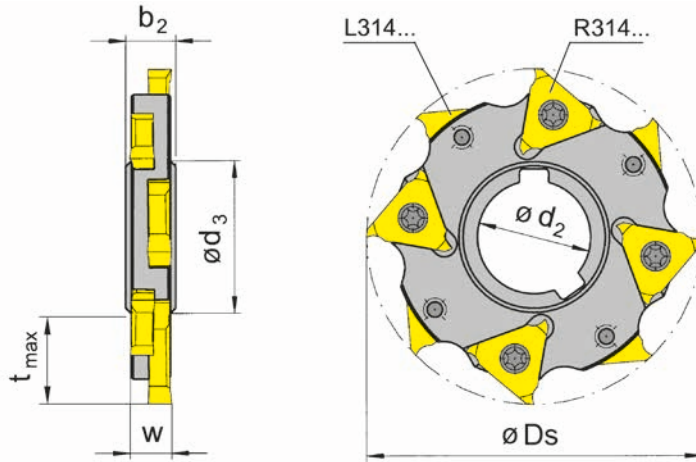
槽宽 6 - 10 mm
切削刃 \varnothing 80 - 200 mm

**Disc Milling Cutter
Arbour Mounted Cutter**

Width of groove 6 - 10 mm
Cutting edge \varnothing 80 - 200 mm



z8



图示=右手型
Picture = right hand cutting version

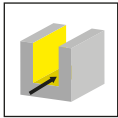
F

产品型号 Part number	Z	Ds	t _{max}	d ₂	b ₂	d ₃	w	右手型刀片 right hand insert	左手型刀片 left hand insert	HWS
382.0080.27.06	8	80	21	27	10	36	6	4x R314....	4x L314...	314027R • 314027L
382.0080.27.08	8	80	21	27	12	36	8	4x R314....	4x L314...	314041R • 314041L
382.0080.27.10	8	80	21	27	12	36	10	4x R314....	4x L314...	314052R • 314052L

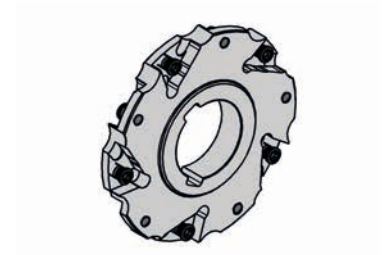
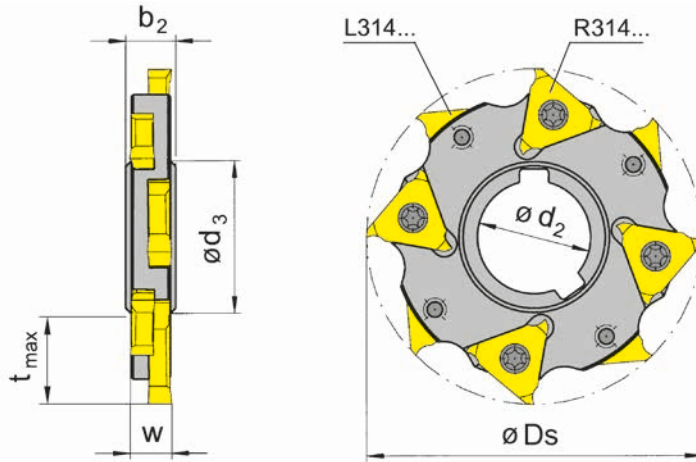
孔(d2)带纵向DIN138标准键槽
Bore (d2) with longitudinal keyway to DIN 138

配件 Spare Parts

盘铣刀 Disc Milling Cutter	锁紧螺钉 Clamping Screw	TORX PLUS®扳手 TORX PLUS® Wrench
382.0080.27.06	5F.06T15P	T15PQ
382.0080.27.08	5F.08T20P	T20PQ
382.0080.27.10	5.10T20P	T20PQ



z10



图示=右手型
Picture = right hand cutting version

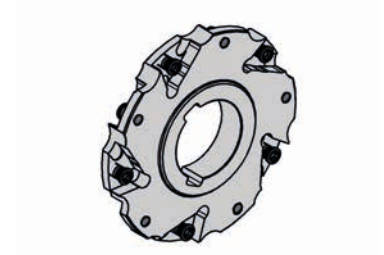
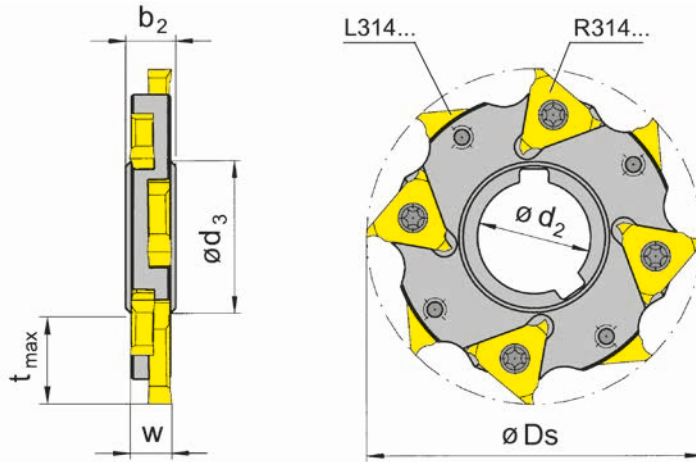
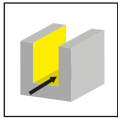
产品型号 Part number	Z	Ds	t _{max}	d ₂	b ₂	d ₃	w	右手型刀片 right hand insert	左手型刀片 left hand insert	HWS
382.0100.32.06	10	100	25.5	32	10	47	6	5x R314...	5x L314...	314027R • 314027L
382.0100.32.08	10	100	25.5	32	12	47	8	5x R314...	5x L314...	314041R • 314041L
382.0100.32.10	10	100	25.5	32	12	47	10	5x R314...	5x L314...	314052R • 314052L

孔(d2)带纵向DIN138标准键槽
Bore (d2) with longitudinal keyway to DIN 138

配件
Spare Parts

盘铣刀 Disc Milling Cutter	锁紧螺钉 Clamping Screw	TORX PLUS®扳手 TORX PLUS® Wrench
382.0100.32.06	5F.06T15P	T15PQ
382.0100.32.08	5F.08T20P	T20PQ
382.0100.32.10	5.10T20P	T20PQ

F



图示=右手型
Picture = right hand cutting version

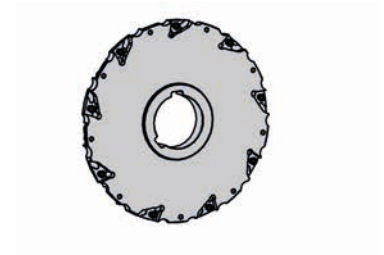
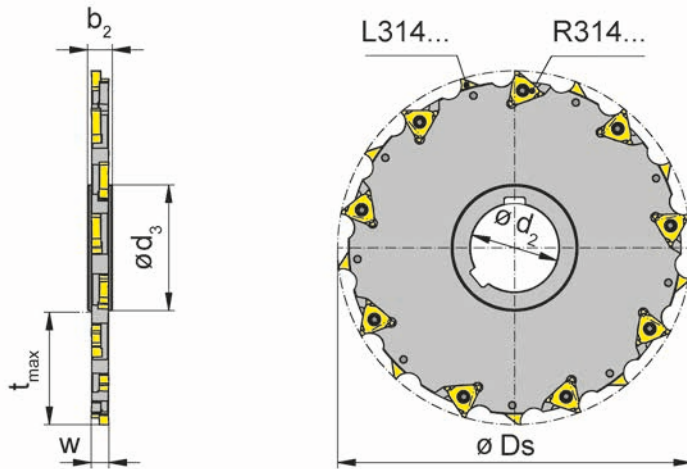
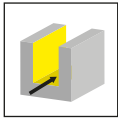
F

产品型号 Part number	Z	Ds	t _{max}	d ₂	b ₂	d ₃	w	右手型刀片 right hand insert	左手型刀片 left hand insert	HWS
382.0125.40.06	12	125	32.5	40	10	58	6	6x R314...	6x L314...	314027R • 314027L
382.0125.40.08	12	125	32.5	40	12	58	8	6x R314...	6x L314...	314041R • 314041L
382.0125.40.10	12	125	32.5	40	14	58	10	6x R314...	6x L314...	314052R • 314052L
382.0160.40.06	16	160	50	40	10	58	6	8x R314...	8x L314...	314027R • 314027L
382.0160.40.08	16	160	50	40	12	58	8	8x R314...	8x L314...	314041R • 314041L
382.0160.40.10	16	160	50	40	14	58	10	8x R314...	8x L314...	314052R • 314052L
382.0160.40.12	15	160	50	40	14	58	12	2x5 R314...	5x L314...	314052R • 314052L

孔(d2)带纵向DIN138标准键槽
Bore (d2) with longitudinal keyway to DIN 138

配件 Spare Parts

盘铣刀 Disc Milling Cutter	锁紧螺钉 Clamping Screw	TORX PLUS®扳手 TORX PLUS® Wrench
382...06	5F.06T15P	T15PQ
382...08	5F.08T20P	T20PQ
382...10/12	5.10T20P	T20PQ



图示=右手型
Picture = right hand cutting version

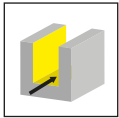
产品型号 Part number	Z	Ds	t _{max}	d ₂	b ₂	d ₃	w	右手型刀片 right hand insert	左手型刀片 left hand insert	HWS
382.0200.50.06	18	200	63.5	50	10	71	6	9x R314...	9x L314...	314027R • 314027L
382.0200.50.08	18	200	63.5	50	12	71	8	9x R314...	9x L314...	314041R • 314041L
382.0200.50.10	18	200	63.5	50	14	71	10	9x R314...	9x L314...	314052R • 314052L
382.0200.50.12	18	200	63.5	50	14	71	12	2x6 R314...	6x L314...	314052R • 314052L
382.0200.50.14	18	200	63.5	50	16	71	14	2x6 R314...	6x L314...	314052R • 314052L

孔(d2)带纵向DIN138标准键槽
Bore (d2) with longitudinal keyway to DIN 138

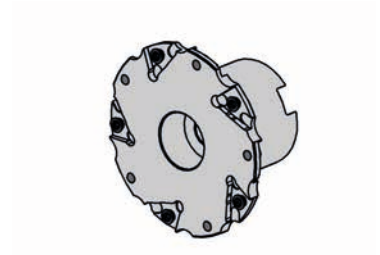
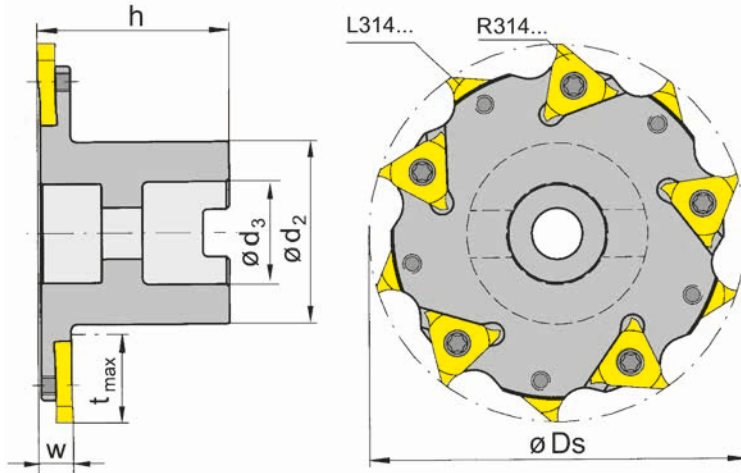
配件 Spare Parts

盘铣刀 Disc Milling Cutter	锁紧螺钉 Clamping Screw	TORX PLUS®扳手 TORX PLUS® Wrench
382.0200.50.06	5F.06T15P	T15PQ
382.0200.50.08	5F.08T20P	T20PQ
382.0200.50....	5.10T20P	T20PQ

F



z10



图示=右手型
Picture = right hand cutting version

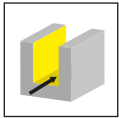
F

产品型号 Part number	Z	D _s	t _{max}	h	d ₂	d ₃	w	右手型刀片 right hand insert	左手型刀片 left hand insert	HWS
383.0100.27.06	10	100	25	50	48	27	6	5x R314...	5x L314...	314027R • 314027L
383.0100.27.08	10	100	25	50	48	27	8	5x R314...	5x L314...	314041R • 314041L
383.0100.27.10	10	100	25	50	48	27	10	5x R314...	5x L314...	314052R • 314052L

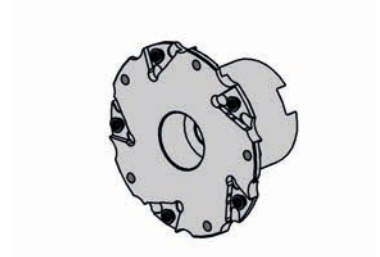
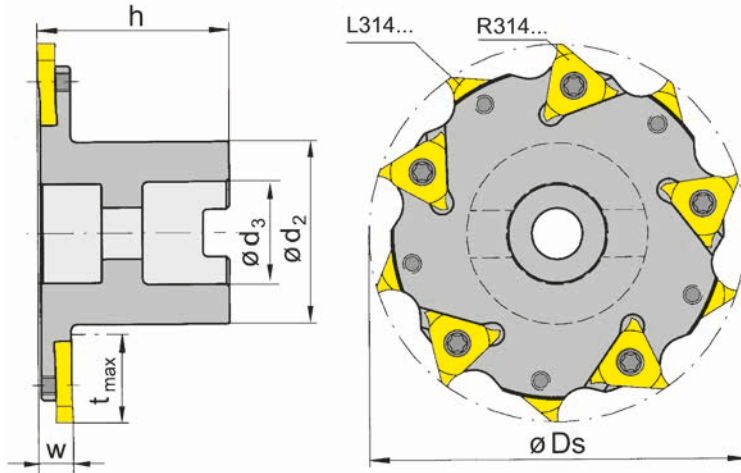
孔(d₃)带DIN138标准双键槽
Bore (d₃) with cross keyway to DIN 138

配件
Spare Parts

芯轴刀柄式铣刀 Arbour Mounted Cutter	锁紧螺钉 Clamping Screw	TORX PLUS®扳手 TORX PLUS® Wrench
383.0100.27.06	5F.06T15P	T15PQ
383.0100.27.08	5F.08T20P	T20PQ
383.0100.27.10	5.10T20P	T20PQ



z12



图示=右手型

Picture = right hand cutting version

产品型号 Part number	Z	Ds	t _{max}	h	d ₂	d ₃	w	右手型刀片 right hand insert	左手型刀片 left hand insert	HWS
383.0125.32.06	12	125	32	50	56	32	6	6x R314...	6x L314...	314027R • 314027L
383.0125.32.08	12	125	32	50	56	32	8	6x R314...	6x L314...	314041R • 314041L

孔(d3)带DIN138标准双键槽

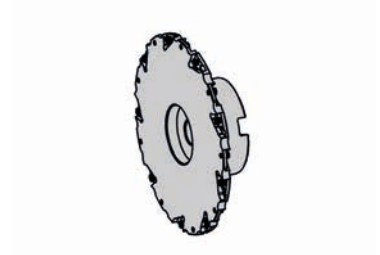
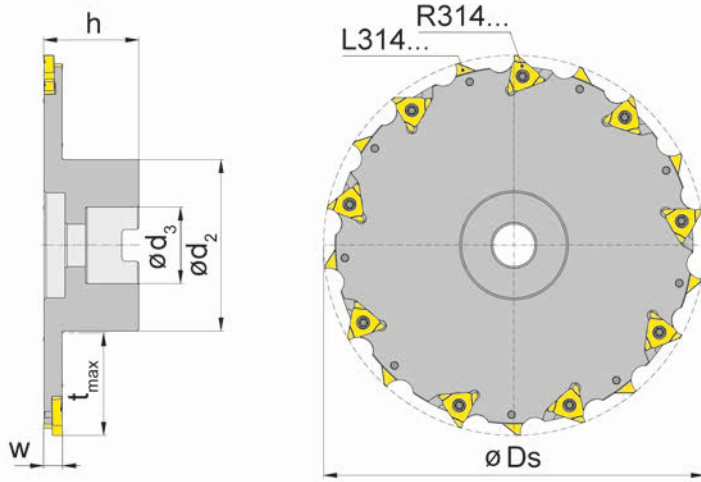
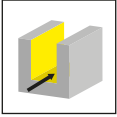
Bore (d3) with cross keyway to DIN 138

配件

Spare Parts

芯轴刀柄式铣刀 Arbour Mounted Cutter	锁紧螺钉 Clamping Screw	TORX PLUS®扳手 TORX PLUS® Wrench
383.0125.32.06	5F.06T15P	T15PQ
383.0125.32.08	5F.08T20P	T20PQ

F



图示=右手型
Picture = right hand cutting version

F

产品型号 Part number	Z	D _s	t _{max}	h	d ₂	d ₃	w	右手型刀片 right hand insert	左手型刀片 left hand insert	HWS
383.0160.40.06	16	160	44	60	70	40	6	8x R314...	8x L314...	314027R • 314027L
383.0160.40.08	16	160	44	60	70	40	8	8x R314...	8x L314...	314041R • 314041L
383.0200.40.06	18	200	54	50	90	40	6	9x R314...	9x L314...	314027R • 314027L
383.0200.40.08	18	200	54	50	90	40	8	9x R314...	9x L314...	314041R • 314041L
383.0200.40.10	18	200	54	50	90	40	10	9x R314...	9x L314...	314052R • 314052L
383.0200.40.12	18	200	54	50	90	40	12	2x6 R314...	6x L314...	314052R • 314052L

孔(d₃)带DIN138标准双键槽
Bore (d₃) with cross keyway to DIN 138

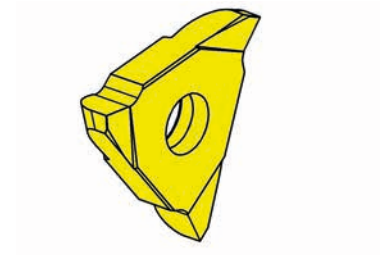
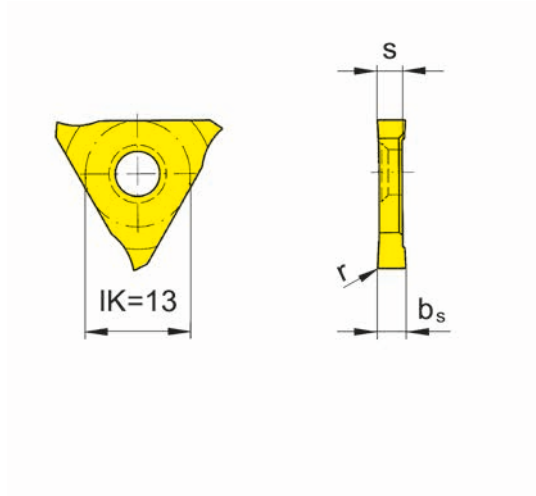
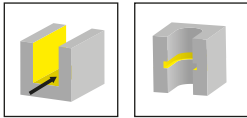
配件
Spare Parts

芯轴刀柄式铣刀 Arbour Mounted Cutter	锁紧螺钉 Clamping Screw	TORX PLUS®扳手 TORX PLUS® Wrench
383.0160..06	5F.06T15P	T15PQ
383.0160..08	5F.08T20P	T20PQ
383.0200...	5.10T20P	T20PQ

可转位刀片

Indexable insert

314



R=右手型-如图
R = right hand version shown

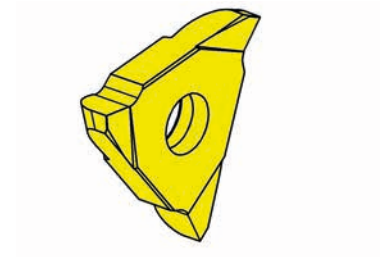
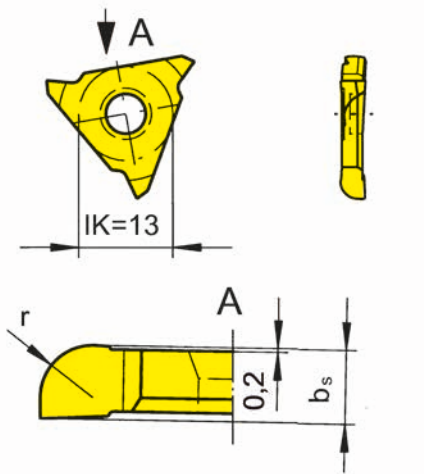
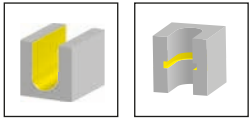
L=左手型
L = left hand version

▲ 库存
on stock

硬质合金牌号
Carbide grades
△ 4周
4 weeks

产品型号 Part number	w	b _s	r	s	HIS	AS45	TI25	TN35
R314.6032.00	6	3.2	0.2	2.7	314027R	▲	▲	▲
R314.8043.00	8	4.3	0.2	4.1	314041R	▲	▲	▲
R314.0054.00	14	5.4	0.2	5.2	314052R	▲	▲	▲
L314.6032.00	6	3.2	0.2	2.7	314027L	▲	▲	▲
L314.8043.00	8	4.3	0.2	4.1	314041L	▲	▲	▲
L314.0054.00	14	5.4	0.2	5.2	314052L	▲	▲	▲
N314.0056.00	-	5.6	0.2	5.2	314052N	▲	▲	▲
注意事项: 标准刀片N314.0056.00用于非标刀盘。 Note: Standard insert N314.0056.00 for use with special cutters.						P	●	●
						M	●	●
						K	●	●
						N	○	○
						S	●	●
						H	-	-





R=右手型-如图
R = right hand version shown

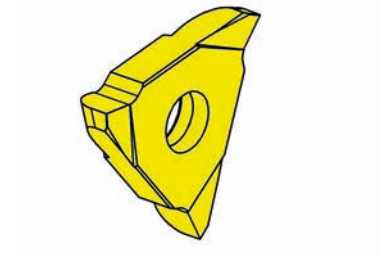
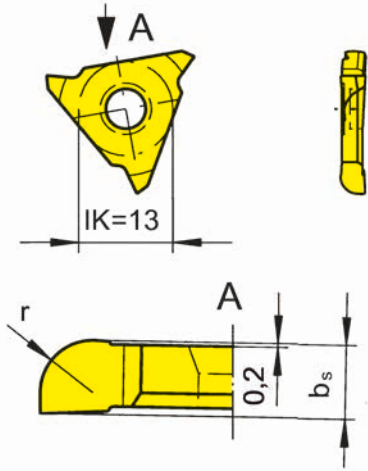
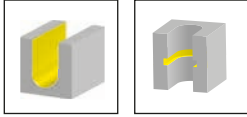
L=左手型
L = left hand version

▲ 库存
on stock

硬质合金牌号
Carbide grades
▲ 4周
4 weeks

F

产品型号 Part number	w	b _s	r	HIS	AS45	TI25
R314.0320.20	6	3.2	2	314027R	▲	▲
R314.0430.20	8	4.3	2	314041R	▲	▲
R314.0430.25	8	4.3	2.5	314041R	▲	▲
R314.0540.20	10	5.43	2	314052R	▲	▲
R314.0540.25	10	5.44	2.5	314052R	▲	▲
R314.0540.40	10	5.47	4	314052R	▲	▲
L314.0320.20	6	3.2	2	314027L	▲	▲
L314.0430.20	8	4.3	2	314041L	▲	▲
L314.0430.25	8	4.3	2.5	314041L	▲	▲
L314.0540.20	10	5.43	2	314052L	▲	▲
L314.0540.25	10	5.44	2.5	314052L	▲	▲
L314.0540.40	10	5.47	4	314052L	▲	▲
					P ● ●	
					M ● ●	
					K ● ●	
					N ○ ●	
					S ● ●	
					H - -	



R=右手型-如图
R = right hand version shown

L=左手型
L = left hand version

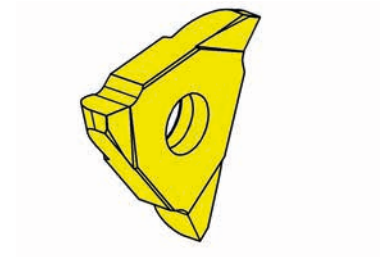
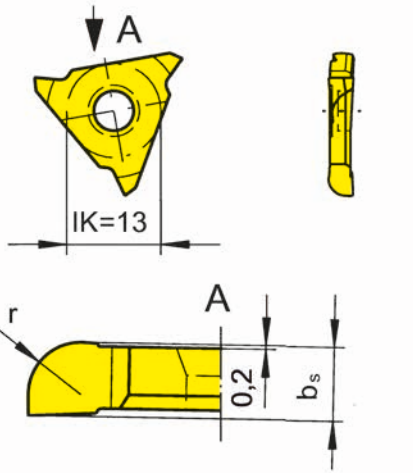
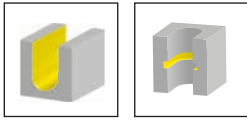
▲ 库存
on stock

硬质合金牌号
Carbide grades
▲ 4周
4 weeks

产品型号 Part number	w	b _s	r	HIS	AS45	T125
R314.0320.04	6	3.2	0.4	314027R	Δ	
R314.0320.05	6	3.2	0.5	314027R	▲	
R314.0320.10	6	3.2	1	314027R	▲	
R314.0320.15	6	3.2	1.5	314027R	▲	
R314.0320.16	6	3.2	1.6	314027R	Δ	
R314.0320.20	6	3.2	2	314027R	▲	▲
R314.0430.04	8	4.3	0.4	314041R	▲	
R314.0430.05	8	4.3	0.5	314041R	▲	
R314.0430.10	8	4.3	1	314041R	▲	
R314.0430.15	8	4.3	1.5	314041R	▲	
R314.0430.16	8	4.3	1.6	314041R	▲	
R314.0430.20	8	4.3	2	314041R	▲	▲
R314.0430.25	8	4.3	2.5	314041R	▲	▲
L314.0320.04	6	3.2	0.4	314027L	Δ	
L314.0320.05	6	3.2	0.5	314027L	▲	
L314.0320.10	6	3.2	1	314027L	▲	
L314.0320.15	6	3.2	1.5	314027L	▲	
L314.0320.16	6	3.2	1.6	314027L	Δ	
L314.0320.20	6	3.2	2	314027L	▲	▲
L314.0430.04	8	4.3	0.4	314041L	▲	
L314.0430.05	8	4.3	0.5	314041L	▲	
L314.0430.10	8	4.3	1	314041L	▲	
L314.0430.15	8	4.3	1.5	314041L	▲	
L314.0430.16	8	4.3	1.6	314041L	▲	
L314.0430.20	8	4.3	2	314041L	▲	▲
L314.0430.25	8	4.3	2.5	314041L	▲	▲

P	●	●
M	●	●
K	●	●
N	○	●
S	●	●
H	-	-

F



R=右手型-如图
R = right hand version shown

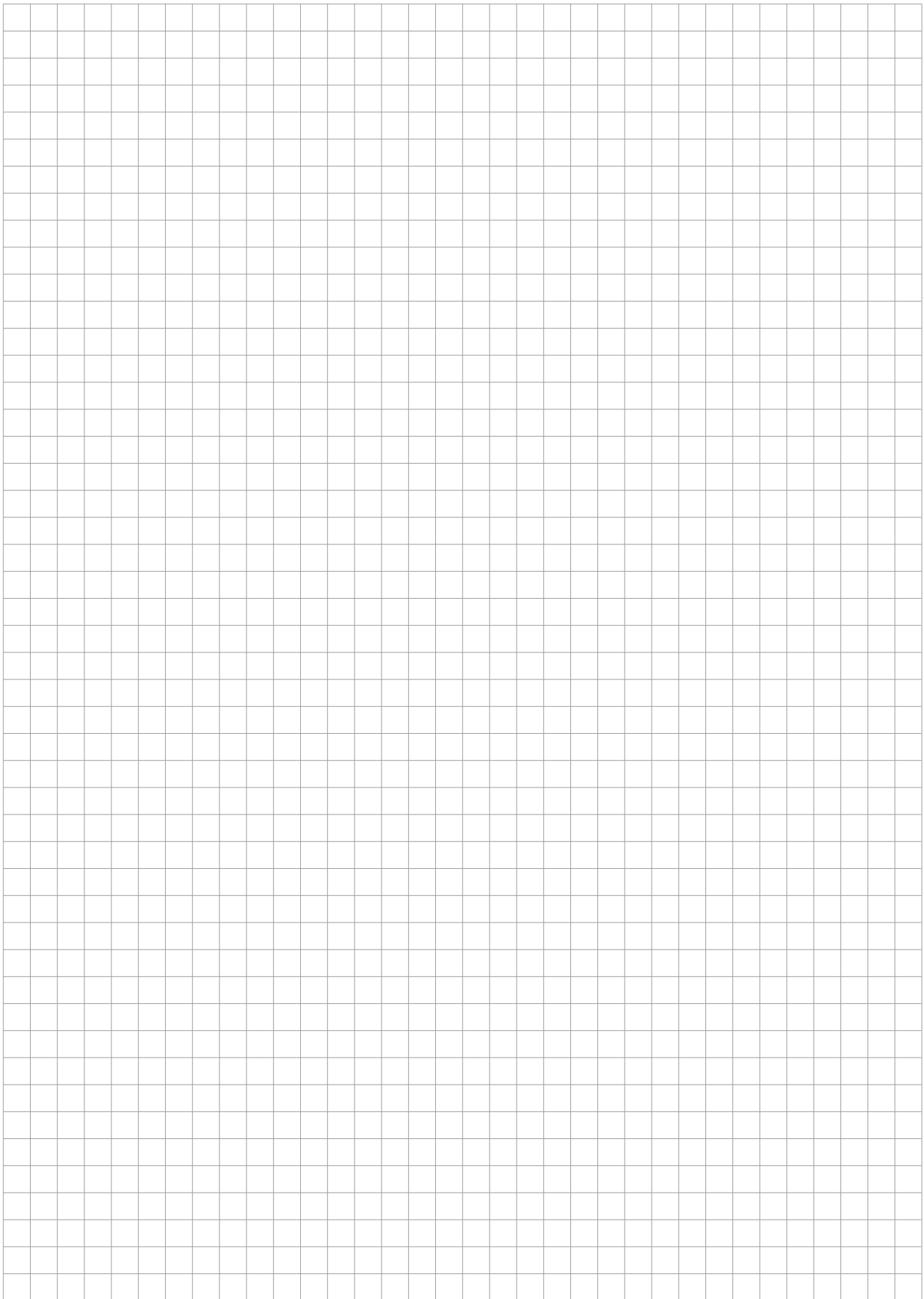
L=左手型
L = left hand version

▲ 库存
on stock

硬质合金牌号
Carbide grades
△ 4周
4 weeks

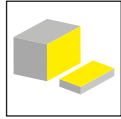
F

产品型号 Part number	w	b _s	r	HIS	AS45	T125
R314.0540.04	10	5.43	0.4	314052R	▲	
R314.0540.05	10	5.43	0.5	314052R	▲	
R314.0540.10	10	5.43	1	314052R	▲	
R314.0540.15	10	5.43	1.5	314052R	△	
R314.0540.16	10	5.43	1.6	314052R	△	
R314.0540.20	10	5.43	2	314052R	▲	▲
L314.0540.04	10	5.43	0.4	314052L	△	
L314.0540.05	10	5.43	0.5	314052L	△	
L314.0540.10	10	5.43	1	314052L	▲	
L314.0540.15	10	5.43	1.5	314052L	△	
L314.0540.16	10	5.43	1.6	314052L	△	
L314.0540.20	10	5.43	2	314052L	▲	▲
					P ● ●	
					M ● ●	
					K ● ●	
					N ○ ●	
					S ● ●	
					H - -	



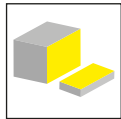
F

盘铣刀
Disc Milling Cutter
M310



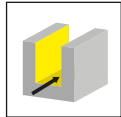
页/Page
264

螺纹锁紧铣刀
Screw-in cutter
M310



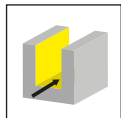
页/Page
265-266

芯轴刀柄式铣刀
Arbour Mounted Cutter
M310



页/Page
267-270

可转位刀片
Indexable insert
S310



页/Page
271-273

F

M310



F

盘铣刀
螺纹锁紧铣刀
配合刀柄式铣刀

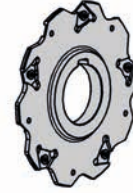
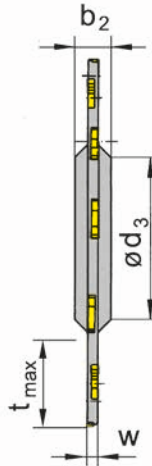
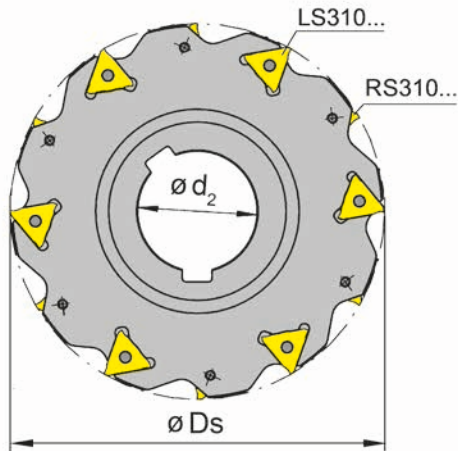
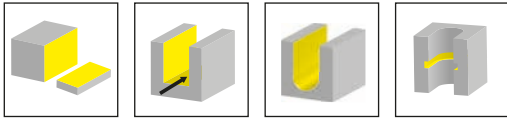
槽宽 3 - 5 mm
切削刃 \varnothing 50 - 200 mm

Disc Milling Cutter
Screw-in Cutter
Arbour Mounted Cutter

Width of slot 3 - 5 mm
Cutting edge \varnothing 50 - 200 mm

盘铣刀 Disc Milling Cutter

M310



图示=右手型
Picture = right hand cutting version

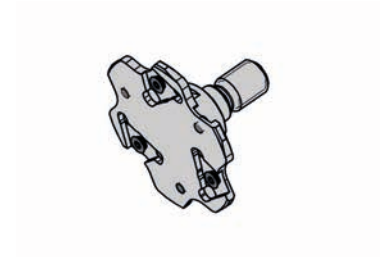
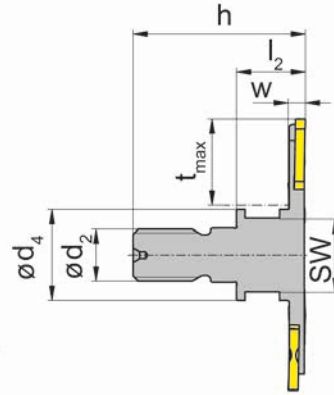
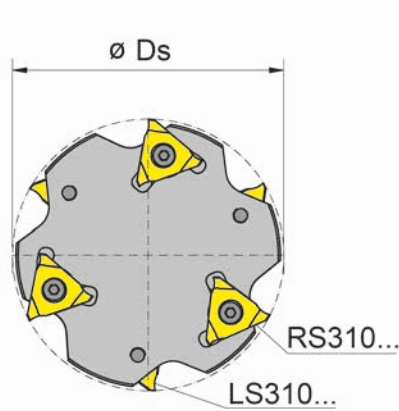
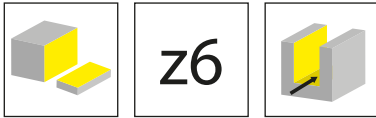
F

产品型号 Part number	Z	Ds	t _{max}	d ₂	b ₂	d ₃	w	右手型刀片 right hand insert	左手型刀片 left hand insert	HWS
M310.0080.27.03	8	80	18	27	8	40	3	4x RS310.3017...	4x LS310.3017...	310017R • 310017L
M310.0080.27.04	8	80	18	27	8	40	4	4x RS310.4023...	4x LS310.4023...	310023R • 310023L
M310.0080.27.05	8	80	18	27	8	40	5	4x RS310.5028...	4x LS310.5028...	310028R • 310028L
M310.0100.32.03	10	100	25	32	8	46	3	5x RS310.3017...	5x LS310.3017...	310017R • 310017L
M310.0100.32.04	10	100	25	32	8	46	4	5x RS310.4023...	5x LS310.4023...	310023R • 310023L
M310.0100.32.05	10	100	25	32	8	46	5	5x RS310.5028...	5x LS310.5028...	310028R • 310028L
M310.0125.40.03	12	125	32	40	10	54	3	6x RS310.3017...	6x LS310.3017...	310017R • 310017L
M310.0125.40.04	12	125	32	40	10	54	4	6x RS310.4023...	6x LS310.4023...	310023R • 310023L
M310.0125.40.05	12	125	32	40	10	54	5	6x RS310.5028...	6x LS310.5028...	310028R • 310028L
M310.0160.40.03	16	160	50	40	10	54	3	8x RS310.3017...	8x LS310.3017...	310017R • 310017L
M310.0160.40.04	16	160	50	40	10	54	4	8x RS310.4023...	8x LS310.4023...	310023R • 310023L
M310.0160.40.05	16	160	50	40	10	54	5	8x RS310.5028...	8x LS310.5028...	310028R • 310028L
M310.0200.40.04	20	200	70	40	10	54	4	10x RS310.4023...	10x LS310.4023...	310023R • 310023L
M310.0200.40.05	20	200	70	40	10	54	5	10x RS310.5028...	10x LS310.5028...	310028R • 310028L

孔(d₂)带纵向DIN138标准键槽
Bore (d₂) with longitudinal keyway to DIN 138

配件 Spare Parts

盘铣刀 Disc Milling Cutter	锁紧螺钉 Clamping Screw	TORX PLUS®扳手 TORX PLUS® Wrench
M310...03	030.0324.T7P	T7PL
M310...04	030.3535.T8P	T8PL
M310...05	030.3543.T8P	T8PL



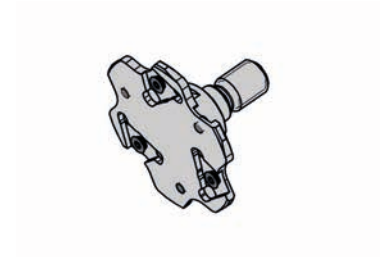
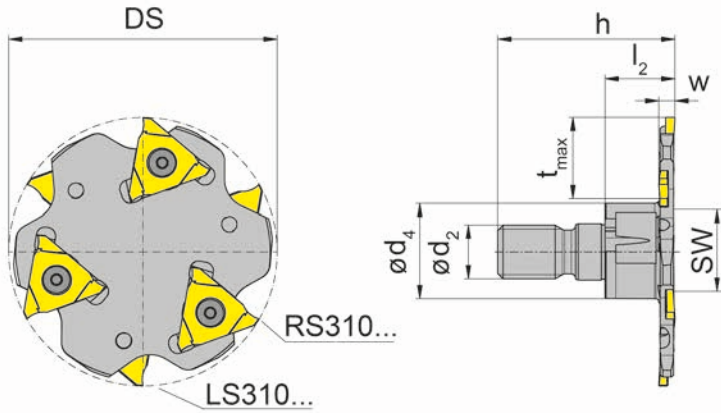
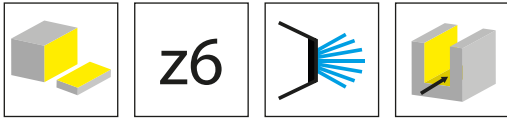
图示=右手型
Picture = right hand cutting version

产品型号 Part number	Z	Ds	h	l_2	d_2	d_4	SW	w	t_{max}	右手型刀片 right hand insert	左手型刀片 left hand insert	HWS	HMS
M310.0050.M10.03	6	50	33	13	M10	18	15	3	15	3x RS310.3017...	3x LS310.3017...	310017R • 310017L	10001
M310.0050.M10.04	6	50	34	14	M10	18	15	4	15	3x RS310.4023...	3x LS310.4023...	310023R • 310023L	10001
M310.0050.M10.05	6	50	35	15	M10	18	15	5	15	3x RS310.5028...	3x LS310.5028...	310028R • 310028L	10001
M310.0063.M12.03	6	63	39	15	M12	21	17	3	20	3x RS310.3017...	3x LS310.3017...	310017R • 310017L	12001
M310.0063.M12.04	6	63	40	16	M12	21	17	4	20	3x RS310.4023...	3x LS310.4023...	310023R • 310023L	12001
M310.0063.M12.05	6	63	41	17	M12	21	17	5	20	3x RS310.5028...	3x LS310.5028...	310028R • 310028L	12001

配件
Spare Parts

螺纹锁紧铣刀 Screw-in cutter	锁紧螺钉 Clamping Screw	TORX PLUS®扳手 TORX PLUS® Wrench
M310...03	030.0324.T7P	T7PL
M310...04	030.3535.T8P	T8PL
M310...05	030.3543.T8P	T8PL





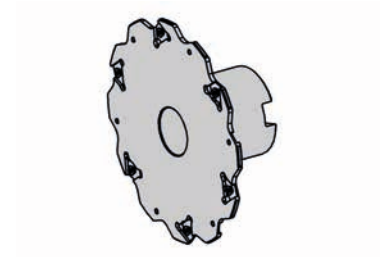
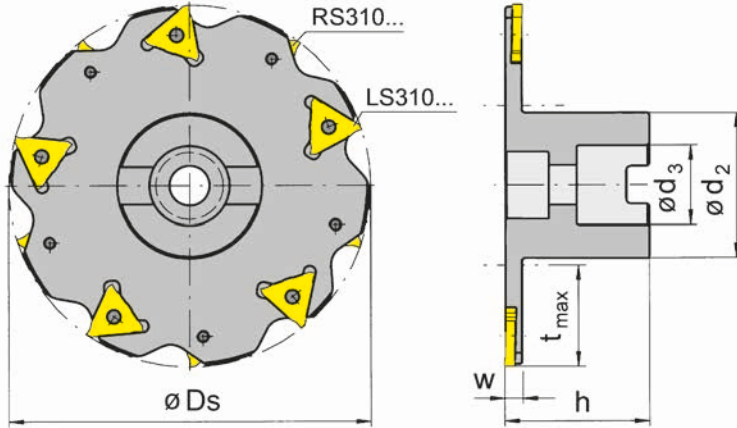
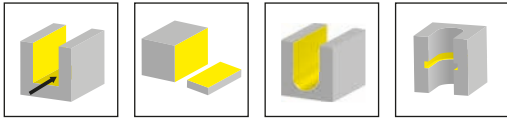
图示=右手型
Picture = right hand cutting version

F

产品型号 Part number	Z	Ds	h	l ₂	d ₂	d ₄	SW	w	t _{max}	右手型刀片 right hand insert	左手型刀片 left hand insert	HWS	HMS
M310.0050.M10.03.IK	6	50	33	13	M10	18	15	3	15	3x RS310.3017...	3x LS310.3017...	310017R • 310017L	10001
M310.0050.M10.04.IK	6	50	34	14	M10	18	15	4	15	3x RS310.4023...	3x LS310.4023...	310023R • 310023L	10001
M310.0050.M10.05.IK	6	50	35	15	M10	18	15	5	15	3x RS310.5028...	3x LS310.5028...	310028R • 310028L	10001
M310.0063.M12.03.IK	6	63	39	15	M12	21	17	3	20	3x RS310.3017...	3x LS310.3017...	310017R • 310017L	12001
M310.0063.M12.04.IK	6	63	40	16	M12	21	17	4	20	3x RS310.4023...	3x LS310.4023...	310023R • 310023L	12001
M310.0063.M12.05.IK	6	63	41	17	M12	21	17	5	20	3x RS310.5028...	3x LS310.5028...	310028R • 310028L	12001

配件
Spare Parts

螺纹锁紧铣刀 Screw-in cutter	锁紧螺钉 Clamping Screw	TORX PLUS®扳手 TORX PLUS® Wrench
M310...03	030.0324.T7P	T7PL
M310...04	030.3535.T8P	T8PL
M310...05	030.3543.T8P	T8PL



图示=右手型
Picture = right hand cutting version

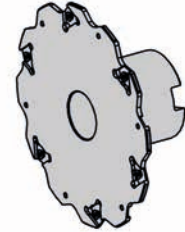
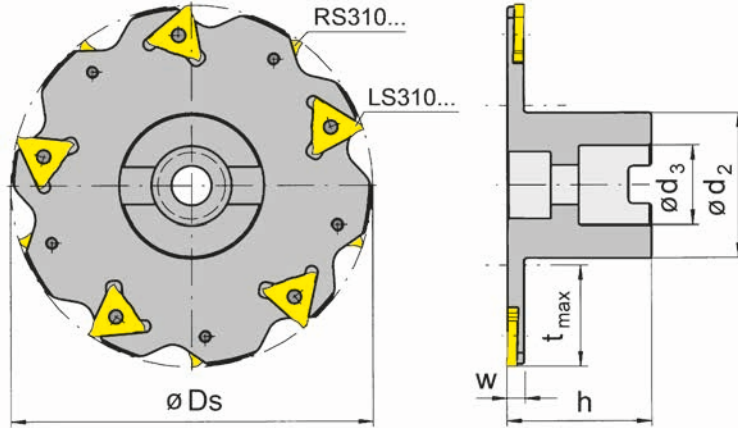
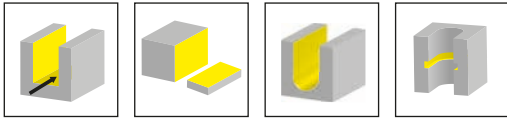
产品型号 Part number	Z	Ds	t _{max}	h	d ₂	d ₃	w	右手型刀片 right hand insert	左手型刀片 left hand insert	HWS
M310.0080.22.03	8	80	23	40	33	22	3	4x RS310.3017...	4x LS310.3017...	310017R • 310017L
M310.1100.27.03	10	100	25	50	48	27	3	5x RS310.3017...	5x LS310.3017...	310017R • 310017L
M310.1125.27.03	12	125	35.7	50	48	27	3	6x RS310.3017...	6x LS310.3017...	310017R • 310017L
M310.1125.32.03	12	125	32.5	50	58	32	3	6x RS310.3017...	6x LS310.3017...	310017R • 310017L
M310.1125.40.03	12	125	26.5	50	70	40	3	6x RS310.3017...	6x LS310.3017...	310017R • 310017L
M310.1160.40.03	16	160	44	50	70	40	3	6x RS310.3017...	6x LS310.3017...	310017R • 310017L

孔(d3)带DIN138标准双键槽
Bore (d3) with cross keyway to DIN 138

配件
Spare Parts

芯轴刀柄式铣刀 Arbour Mounted Cutter	锁紧螺钉 Clamping Screw	TORX PLUS®扳手 TORX PLUS® Wrench
M310...	030.0324.T7P	T7PL





图示=右手型
Picture = right hand cutting version

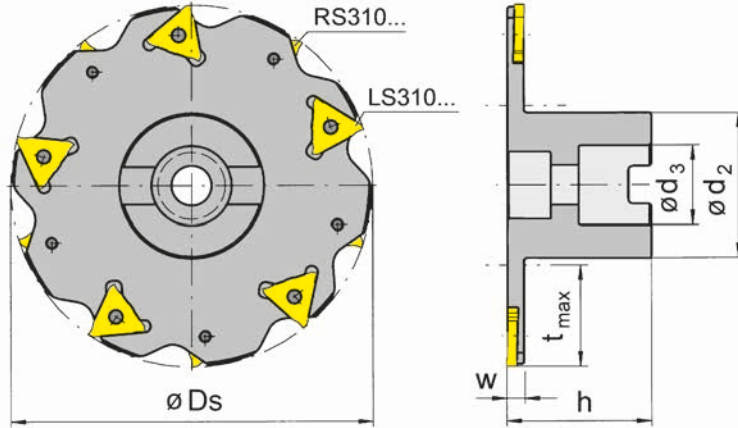
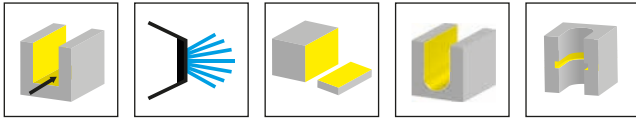
F

产品型号 Part number	Z	Ds	t _{max}	h	d ₂	d ₃	w	右手型刀片 right hand insert	左手型刀片 left hand insert	HWS
M310.0080.22.04	8	80	23	40	33	22	4	4x RS310.4023...	4x LS310.4023...	310023R • 310023L
M310.0080.22.05	8	80	23	40	33	22	5	4x RS310.5028...	4x LS310.5028...	310028R • 310028L
M310.1100.27.04	10	100	25	50	48	27	4	5x RS310.4023...	5x LS310.4023...	310023R • 310023L
M310.1100.27.05	10	100	25	50	48	27	5	5x RS310.5028...	5x LS310.5028...	310028R • 310028L
M310.1125.27.04	12	125	37.5	50	48	27	4	6x RS310.4023...	6x LS310.4023...	310023R • 310023L
M310.1125.32.04	12	125	32	50	56	32	4	6x RS310.4023...	6x LS310.4023...	310023R • 310023L
M310.1125.40.04	12	125	26.5	50	70	40	4	6x RS310.4023...	6x LS310.4023...	310023R • 310023L
M310.1125.27.05	12	125	37.5	50	48	27	5	6x RS310.5028...	6x LS310.5028...	310028R • 310028L
M310.1125.32.05	12	125	32.5	50	56	32	5	6x RS310.5028...	6x LS310.5028...	310028R • 310028L
M310.1125.40.05	12	125	26.5	50	70	40	5	6x RS310.5028...	6x LS310.5028...	310028R • 310028L
M310.1160.40.04	16	160	44	50	70	40	4	8x RS310.4023...	8x LS310.4023...	310023R • 310023L
M310.1160.40.05	16	160	44	50	70	40	5	8x RS310.5028...	8x LS310.5028...	310028R • 310028L
M310.1200.40.04	20	200	64	50	70	40	4	10x RS310.4023...	10x LS310.4023...	310023R • 310023L
M310.1200.40.05	20	200	64	50	70	40	5	10x RS310.5028...	10x LS310.5028...	310028R • 310028L

孔(d3)带DIN138标准双键槽
Bore (d3) with cross keyway to DIN 138

配件 Spare Parts

芯轴刀柄式铣刀 Arbour Mounted Cutter	锁紧螺钉 Clamping Screw	TORX PLUS®扳手 TORX PLUS® Wrench
M310...04	030.3535.T8P	T8PL
M310...05	030.3543.T8P	T8PL



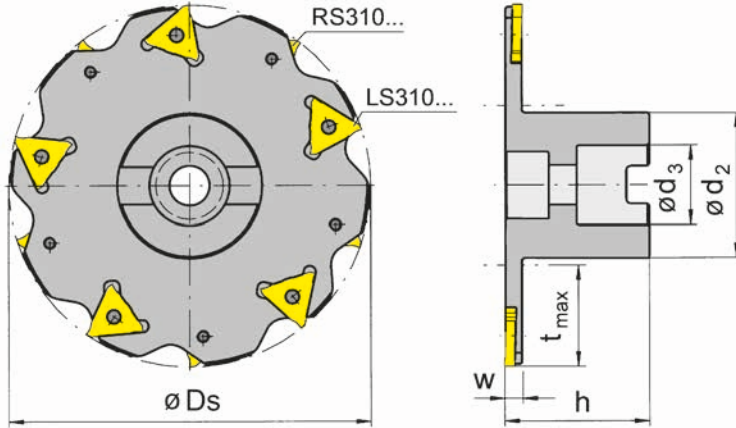
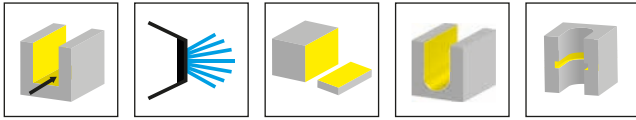
图示=右手型
Picture = right hand cutting version

产品型号 Part number	Z	Ds	t _{max}	h	d ₂	d ₃	w	右手型刀片 right hand insert	左手型刀片 left hand insert	HWS
M310.0063.16.03.IK	6	63	17.5	35	26	16	3	3x RS310.3017...	3x LS310.3017...	310017R • 310017L
M310.0063.16.04.IK	6	63	17.5	35	26	16	4	3x RS310.4023...	3x LS310.4023...	310023R • 310023L
M310.0063.16.05.IK	6	63	17.5	35	26	16	5	3x RS310.5028...	3x LS310.5028...	310028R • 310028L
M310.0080.16.03.IK	8	80	25	40	28	16	3	4x RS310.3017...	4x LS310.3017...	310017R • 310017L
M310.0080.16.04.IK	8	80	25	40	28	16	4	4x RS310.4023...	4x LS310.4023...	310023R • 310023L
M310.0080.16.05.IK	8	80	25	40	28	16	5	4x RS310.5028...	4x LS310.5028...	310028R • 310028L
M310.0080.22.03.IK	8	80	23	40	33	22	3	4x RS310.3017...	4x LS310.3017...	310017R • 310017L
M310.0080.22.04.IK	8	80	23	40	33	22	4	4x RS310.4023...	4x LS310.4023...	310023R • 310023L
M310.0080.22.05.IK	8	80	23	40	33	22	5	4x RS310.5028...	4x LS310.5028...	310028R • 310028L
M310.1100.27.03.IK	10	100	25	50	48	27	3	5x RS310.3017...	5x LS310.3017...	310017R • 310017L
M310.1100.27.04.IK	10	100	25	50	48	27	4	5x RS310.4023...	5x LS310.4023...	310023R • 310023L

孔(d3)带DIN138标准双键槽
Bore (d3) with cross keyway to DIN 138

配件
Spare Parts

芯轴刀柄式铣刀 Arbour Mounted Cutter	锁紧螺钉 Clamping Screw	TORX PLUS®扳手 TORX PLUS® Wrench
M310...03	030.0324.T7P	T7PL
M310...04	030.3535.T8P	T8PL
M310...05	030.3543.T8P	T8PL



图示=右手型
Picture = right hand cutting version

F

产品型号 Part number	Z	Ds	t _{max}	h	d ₂	d ₃	w	右手型刀片 right hand insert	左手型刀片 left hand insert	HWS
M310.1125.27.03.IK	12	125	37.5	50	48	27	3	6x RS310.3017...	6x LS310.3017...	310017R • 310017L
M310.1125.27.04.IK	12	125	37.5	50	48	27	4	6x RS310.4023...	6x LS310.4023...	310023R • 310023L
M310.1125.27.05.IK	12	125	37.5	50	48	27	5	6x RS310.5028...	6x LS310.5028...	310028R • 310028L
M310.1125.32.03.IK	12	125	32	50	56	32	3	6x LS310.3017...	6x LS310.3017...	310017R • 310017L
M310.1125.32.04.IK	12	125	32	50	56	32	4	6x LS310.4023...	6x RS310.4023...	310023R • 310023L
M310.1125.32.05.IK	12	125	32	50	56	32	5	6x LS310.5028...	6x RS310.5028...	310028R • 310028L
M310.1125.40.05.IK	12	125	26.5	50	70	40	5	6x RS310.5028...	6x LS310.5028...	310028R • 310028L
M310.1160.40.03.IK	16	160	44	50	70	40	3	8x RS310.3017...	8x LS310.3017...	310017R • 310017L
M310.1160.40.04.IK	16	160	44	50	70	40	4	8x RS310.4023...	8x LS310.4023...	310023R • 310023L
M310.1160.40.05.IK	16	160	44	50	70	40	5	8x LS310.5028...	3x RS310.5028...	310028R • 310028L
M310.1200.40.04.IK	20	200	64	50	70	40	4	10x LS310.4023...	10x RS310.4023...	310023R • 310023L
M310.1200.40.05.IK	20	200	64	50	70	40	5	10x LS310.5028...	10x RS310.5028...	310028R • 310028L

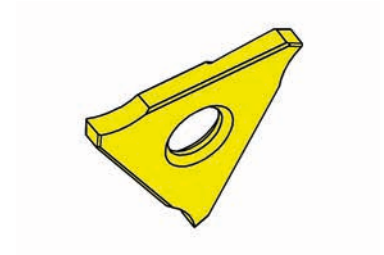
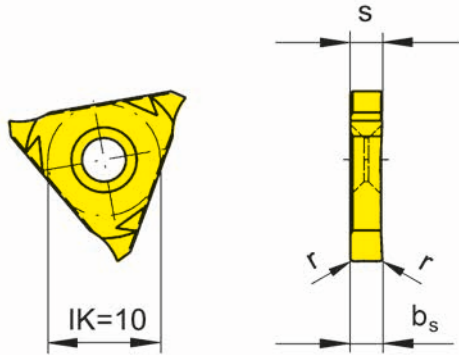
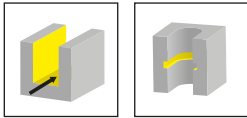
孔(d3)带DIN138标准双键槽
Bore (d3) with cross keyway to DIN 138

配件
Spare Parts

芯轴刀柄式铣刀 Arbour Mounted Cutter	锁紧螺钉 Clamping Screw	TORX PLUS®扳手 TORX PLUS® Wrench
M310...03	030.0324.T7P	T7PL
M310...04	030.3535.T8P	T8PL
M310...05	030.3543.T8P	T8PL

可转位刀片 Indexable insert

S310



R=右手型-如图
R = right hand version shown

L=左手型
L = left hand version

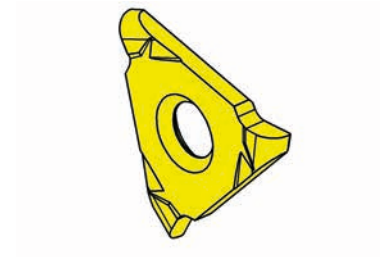
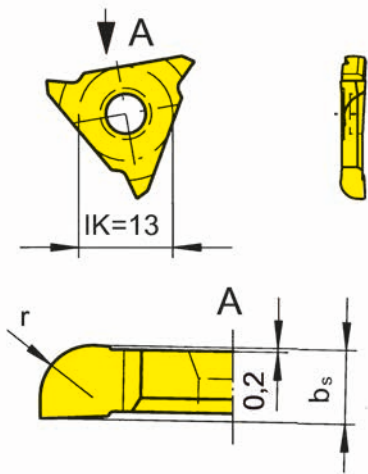
硬质合金牌号
Carbide grades
▲ 库存
on stock
△ 4周
4 weeks

产品型号 Part number	w	r	b _s	s	HIS	硬质合金牌号 Carbide grades					
						AS45	DD25	IG35	TF45	TN35	
RS310.3017.00	3	0.15	1.7	1.6	310017R	▲	▲	▲			
RS310.3118.00	3.175	0.15	1.8	1.6	310017R	▲	▲	▲			
RS310.4023.00	4	0.2	2.3	2.2	310023R	▲	▲	▲	▲	▲	
RS310.5028.00	5	0.2	2.8	2.7	310028R	▲	▲	▲	▲	▲	
LS310.3017.00	3	0.15	1.7	1.6	310017L	▲	▲	▲			
LS310.3118.00	3.175	0.15	1.8	1.6	310017L	▲	▲	▲			
LS310.4023.00	4	0.2	2.3	2.2	310023L	▲	▲	▲	▲	▲	
LS310.5028.00	5	0.2	2.8	2.7	310028L	▲	▲	▲	▲	▲	
						P	●	-	-	●	●
						M	●	-	●	●	●
						K	●	-	-	●	●
						N	○	●	-	●	●
						S	●	○	●	●	●
						H	-	-	-	-	-



可转位刀片

Indexable insert



R=右手型-如图
R = right hand version shown

L=左手型
L = left hand version

▲ 库存
on stock

硬质合金牌号
Carbide grades
△ 4周
4 weeks

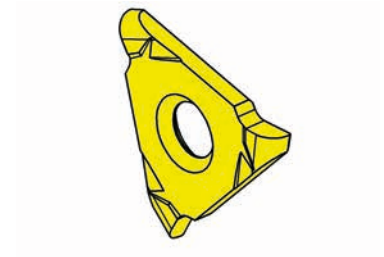
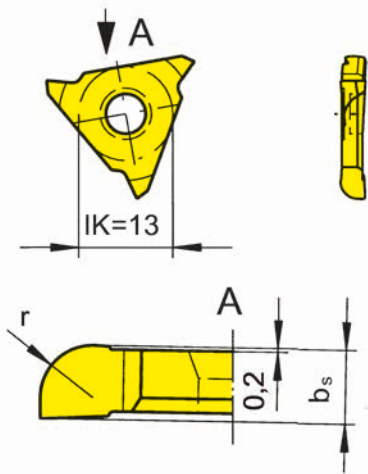
产品型号 Part number	w	r	b _s	s	HIS	AS45
RS310.3017.04	3	0.4	1.7	1.57	310017R	▲
RS310.3017.05	3	0.5	1.7	1.57	310017R	▲
RS310.3017.10	3	1	1.7	1.57	310017R	▲
RS310.3017.15	3	1.5	1.7	1.57	310017R	▲
RS310.4023.04	4	0.4	2.3	2.17	310023R	▲
RS310.4023.05	4	0.5	2.3	2.17	310023R	△
RS310.4023.10	4	1	2.3	2.17	310023R	▲
RS310.4023.15	4	1.5	2.3	2.17	310023R	▲
RS310.4023.16	4	1.6	2.3	2.17	310023R	▲
RS310.4023.20	4	2	2.3	2.17	310023R	▲
LS310.3017.04	3	0.4	1.7	1.57	310017L	▲
LS310.3017.05	3	0.5	1.7	1.57	310017L	▲
LS310.3017.10	3	1	1.7	1.57	310017L	▲
LS310.3017.15	3	1.5	1.7	1.57	310017L	▲
LS310.4023.04	4	0.4	2.3	2.17	310023L	▲
LS310.4023.05	4	0.5	2.3	2.17	310023L	△
LS310.4023.10	4	1	2.3	2.17	310023L	▲
LS310.4023.15	4	1.5	2.3	2.17	310023L	▲
LS310.4023.16	4	1.6	2.3	2.17	310023L	▲
LS310.4023.20	4	2	2.3	2.17	310023L	▲

P	●
M	●
K	●
N	○
S	●
H	-

F

可转位刀片

Indexable insert



R=右手型-如图
R = right hand version shown

L=左手型
L = left hand version

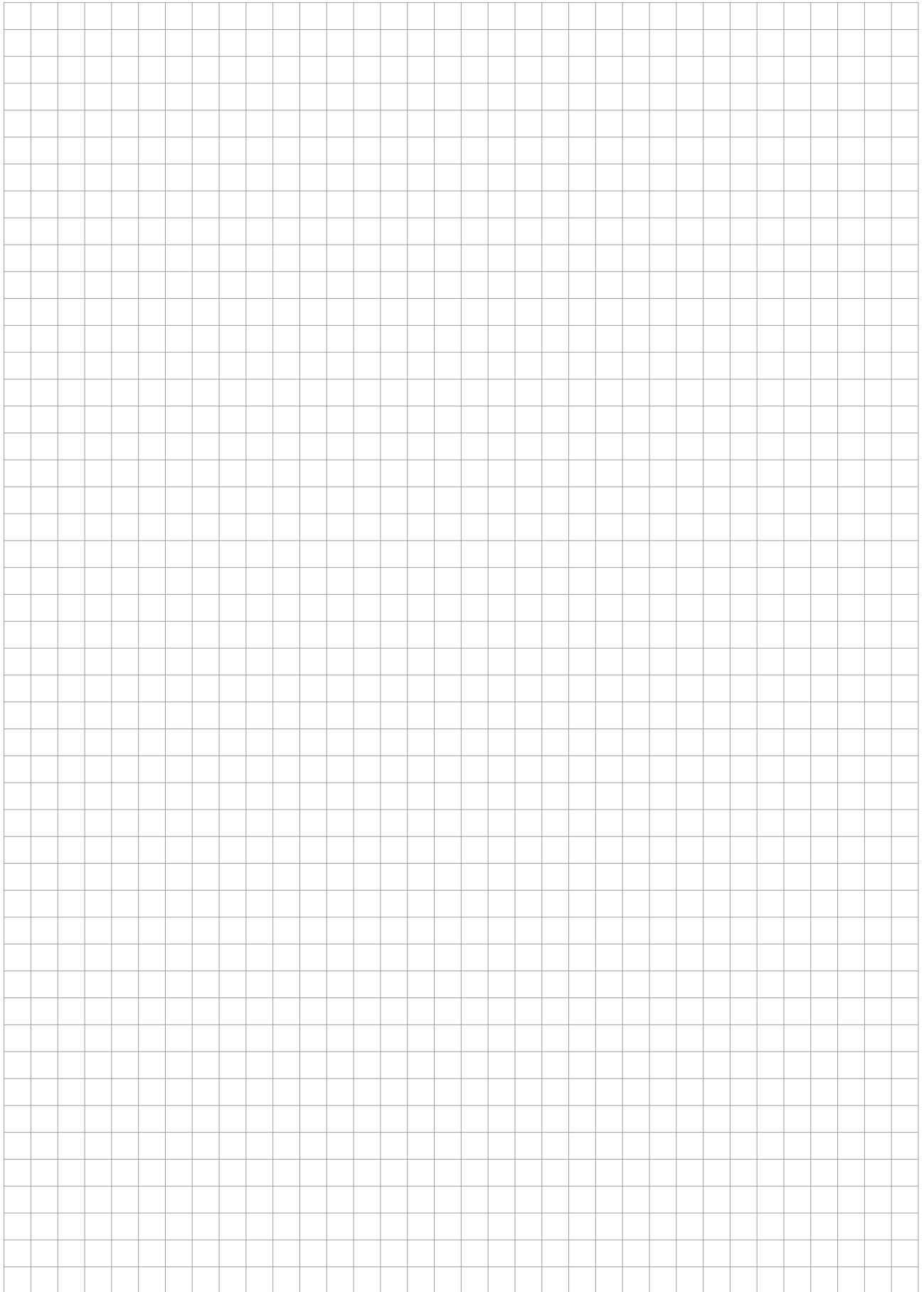
硬质合金牌号
Carbide grades
▲ 库存
on stock
△ 4周
4 weeks

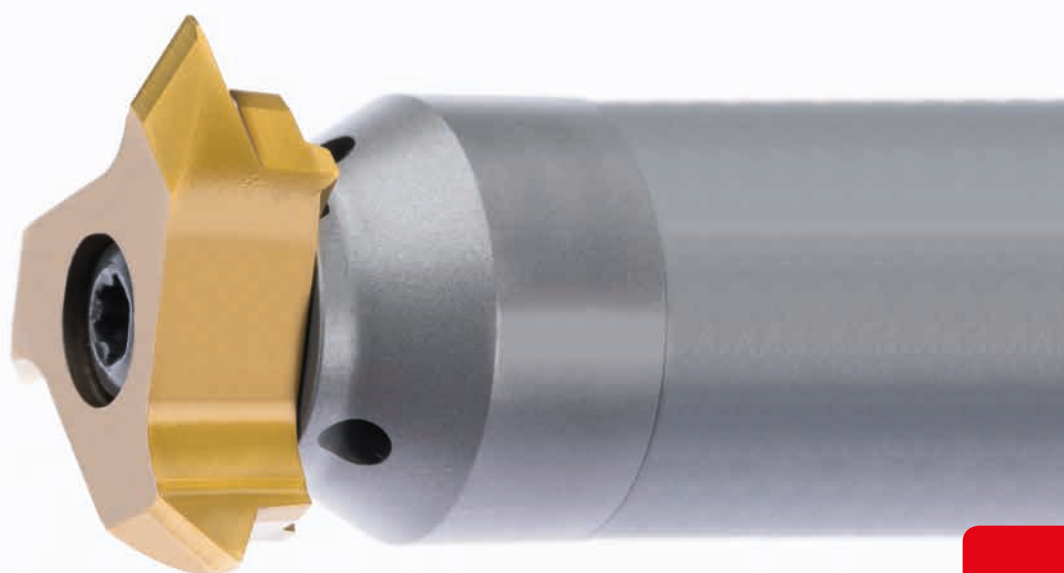
产品型号 Part number	w	r	b _s	s	HIS	AS45
RS310.5028.04	5	0.4	2.68	2.62	310028R	△
RS310.5028.05	5	0.5	2.68	2.62	310028R	▲
RS310.5028.10	5	1	2.68	2.62	310028R	▲
RS310.5028.15	5	1.5	2.68	2.62	310028R	▲
RS310.5028.16	5	1.6	2.68	2.62	310028R	▲
RS310.5028.20	5	2	2.68	2.62	310028R	▲
LS310.5028.04	5	0.4	2.68	2.62	310028L	△
LS310.5028.05	5	0.5	2.68	2.62	310028L	▲
LS310.5028.10	5	1	2.68	2.62	310028L	▲
LS310.5028.15	5	1.5	2.68	2.62	310028L	▲
LS310.5028.16	5	1.6	2.68	2.62	310028L	▲
LS310.5028.20	5	2	2.68	2.62	310028L	▲

P	●
M	●
K	●
N	○
S	●
H	-



F



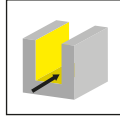


系列/System	页/Page
M304	276
M306	284
M308	296
M311	306
M313	316
M328	326
M332	336
M275	342
380	384

概述
Overview

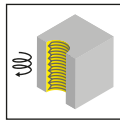
页/Page
278

铣刀杆
Milling shank
M304



页/Page
279

刀片
Insert
304



页/Page
280-282

注意:

公称直径总是螺纹上最大的直径。通常，这描述以螺纹尺寸为基础。

例如 M12 x 1 -> 公称直径 12

如果工件的公称直径小于推荐值，铣刀的过切会产生轮廓误差。

Attention:

The nominal diameter is always the largest \varnothing on the thread. As a rule, the designation is based on the size of the thread.

Example: M12 x 1 -> nominal diameter 12

Recutting of the milling tool will create profile errors if the nominal diameter of the component will be smaller than recommended.

M304



G

螺纹铣刀(圆弧插补铣削)

切削刃自 \varnothing 7.7 mm

Thread Milling Cutter
(by circular interpolation)

from Cutting edge \varnothing 7,7 mm

非全牙型, 米制 型号 304
Partial profile, metric type 304

	螺距 / Pitch P	0,5	0,75	1,0	1,25	1,5
	公称直径 / Nominal diameter					
	型号 / type 304 / Ds 7,7					
	304.0515.01	≥ 9	≥ 9	≥ 9	≥ 10	≥ 10

全牙型, 米制螺纹 型号 304
Full profile, metric type 304

	螺距 / Pitch P	1,5
	公称直径 Nominal diameter	
	型号 / type 304 / Ds 7,7	
	304.0815.02	≥ 12

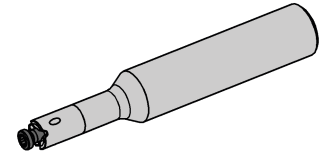
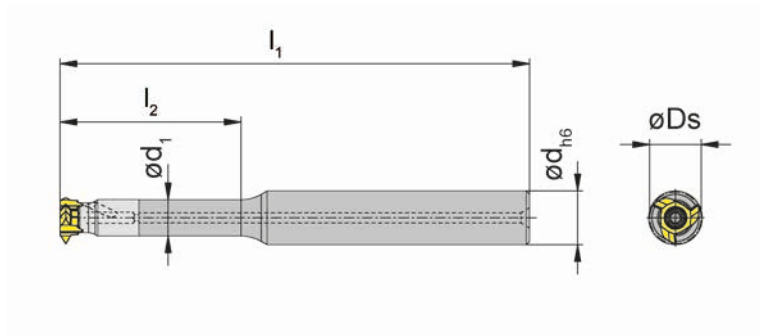
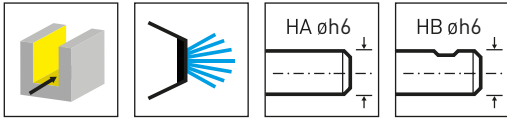
G

全牙型, 惠氏螺纹 型号 304
Full profile, Whitworth type 304

	每英寸牙数 / tpi	19	14	11
	螺纹 / Thread			
	型号 / type 304 / Ds 7,7			
	304.05519.02	G $\frac{1}{4}$ "		

铣刀杆 Milling shank

M304



图示=右手型
Picture = right hand cutting version

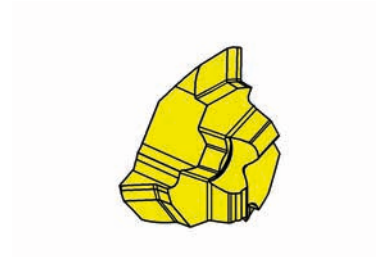
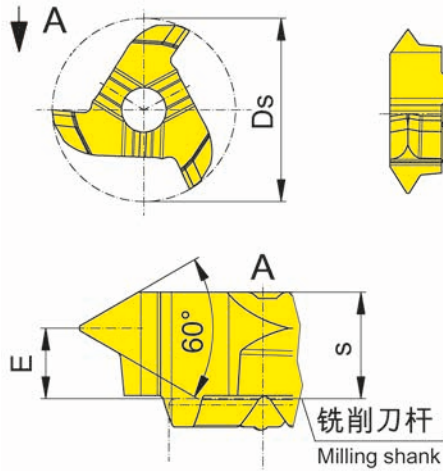
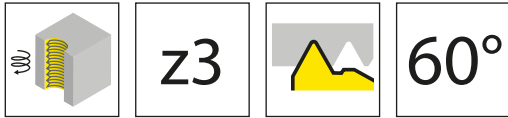
产品型号 Part number	d	l ₁	l ₂	d ₁	形式 Form	HWS
M304.0508.02A	8	63	20	5.4	A	304044R
M304.0508.03A	8	70	27	5.4	A	304044R
M304.0508.02B	8	63	20	5.4	B	304044R
M304.0508.03B	8	70	27	5.4	B	304044R

Ds见刀片
Ds see inserts

配件 Spare Parts

铣刀杆 Milling shank	锁紧螺钉 Clamping Screw	TORX PLUS®扳手 TORX PLUS® Wrench
M304...	1.8.4T6EP	T6PL





图示=右手型
Picture = right hand cutting version

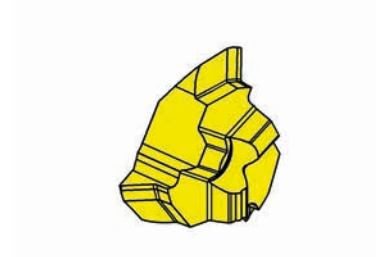
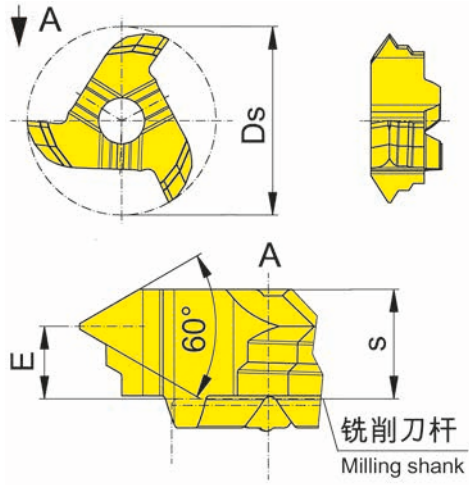
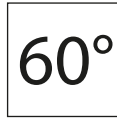
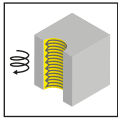
硬质合金牌号
Carbide grades

▲ 库存
on stock

△ 4周
4 weeks

产品型号 Part number	P	P _{max}	E	s	Ds	HIS	AS45
304.0515.01	0.5	1.5	1.9	2.75	7.7	304044R	▲
	P	●					
	M	●					
	K	●					
	N	○					
	S	●					
	H	-					

G



图示=右手型
Picture = right hand cutting version

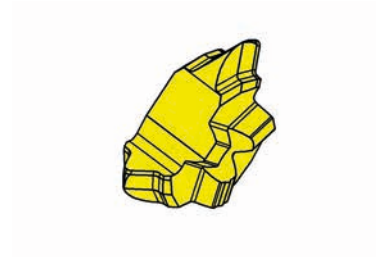
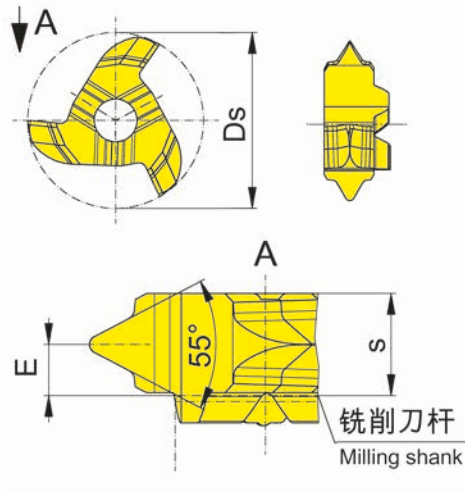
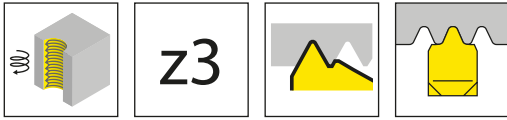
硬质合金牌号
Carbide grades

▲ 库存
on stock

△ 4周
4 weeks

产品型号 Part number	P	E	s	Ds	HIS	AS45
304.0815.02	1.5	2	2.75	7.7	304044R	▲
	P ●					
	M ●					
	K ●					
	N ○					
	S ●					
	H -					





图示=右手型
Picture = right hand cutting version

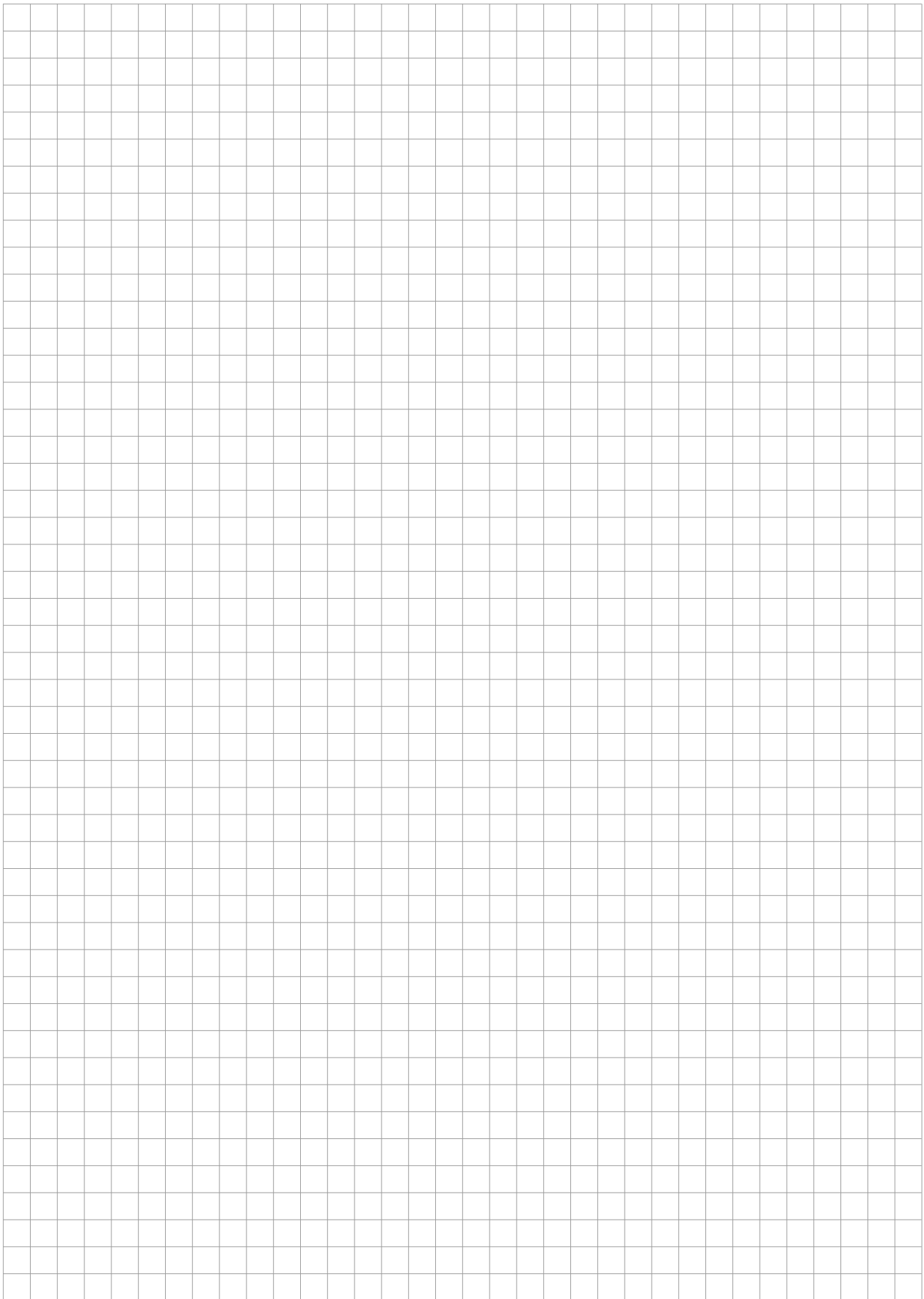
硬质合金牌号
Carbide grades

▲ 库存
on stock

△ 4周
4 weeks

产品型号 Part number	TPI	E	s	Ds	HIS	AS45
304.5519.02	19	1.5	2.75	7.7	304044R	▲
						P ●
						M ●
						K ●
						N ○
						S ●
						H -

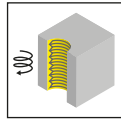
G



概述
Overview

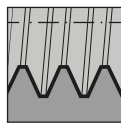
页/Page
286

铣刀杆
Milling shank
M306

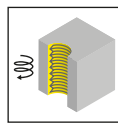


页/Page
287

刀片
Insert
108/306/606



页/Page
288



页/Page
289-294

注意:

公称直径总是螺纹上最大的直径。通常，这描述以螺纹尺寸为基础。

例如 M12 x 1 -> 公称直径 12

如果工件的公称直径小于推荐值，铣刀的过切会产生轮廓误差。

Attention:

The nominal diameter is always the largest \varnothing on the thread. As a rule, the designation is based on the size of the thread.

Example: M12 x 1 -> nominal diameter 12

Recutting of the milling tool will create profile errors if the nominal diameter of the component will be smaller than recommended.

M306



G

螺纹铣刀(圆弧插补铣削)

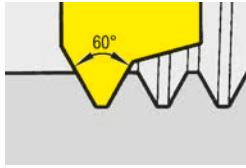
切削刃自 \varnothing 9.6 mm

Thread Milling Cutter
(by circular interpolation)

from Cutting edge \varnothing 9,6 mm

非全牙型, 米制 型号 108, 306, 606

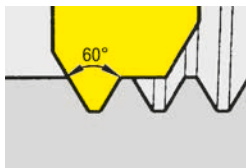
Partial profile, metric type 108, 306, 606



螺距 / Pitch P	0,5	0,75	1,0	1,25	1,5	1,75	2,0	2,5	3,0
公称直径 / Nominal diameter									
型号 / type 108 / Ds 9,6									
R/L 108.0205.01	≥ 12	≥ 12							
R/L108.0510.01			≥ 14	≥ 14					
R/L108.0815.01					≥ 16	≥ 16			
型号 / type 306 / Ds 10,0									
306.0515.01	≥ 12	≥ 12	≥ 13	≥ 13	≥ 14				
306.1020.01							≥ 16		
型号 / type 306 / Ds 11,7									
306.0815.01					≥ 18				
306.0720.01			≥ 16	≥ 16	≥ 16	≥ 16	≥ 16		
306.2530.01								≥ 20	≥ 20
型号 / type 606 / Ds 10,0									
606.0515.01	≥ 12	≥ 12	≥ 13	≥ 13	≥ 14				
型号 / type 606 / Ds 11,7									
606.0720.01			≥ 16	≥ 16	≥ 16	≥ 16	≥ 16		

全牙型, 米制螺纹 型号 306, 606

Full profile, metric type 306

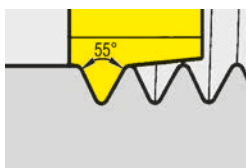


螺距 / Pitch P	1,5	2,0
公称直径 Nominal diameter		
型号 / type 306 / Ds 11,7		
306.0815.02	≥ 22	
型号 / type 306 / Ds 10,0		
306.1020.02		≥ 24

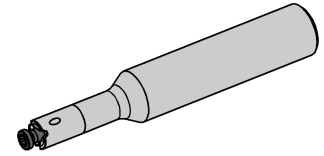
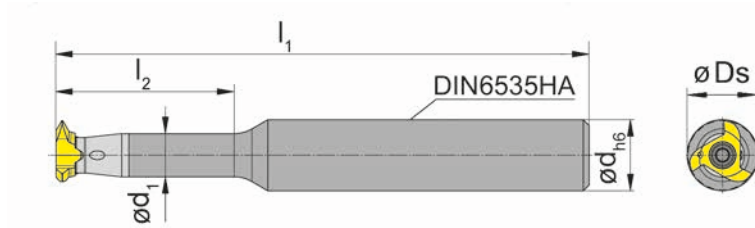
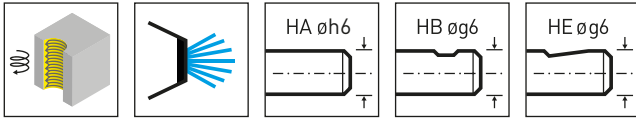
螺距 / Pitch P	1,5
公称直径 Nominal diameter	
型号 / type 606 / Ds 11,7	
606.0815.02	≥ 22

全牙型, 惠氏螺纹 型号 306, 606

Full profile, Whitworth type 306, 606



每英寸牙数 / tpi	19	14	11
螺纹 / Thread			
型号 / type 306 / Ds 9,7			
306.5519.10.02	G $\frac{1}{4}$ "		
型号 / type 306 / Ds 11,7			
306.5519.02	G $\frac{3}{8}$ "		
306.5514.02		G $\frac{1}{2}$ "	
306.5511.02			G1"
型号 / type 606 / Ds 9,7			
606.5519.10.02	G $\frac{1}{4}$ "		
型号 / type 606 / Ds 11,7			
606.5519.02	G $\frac{3}{8}$ "		
606.5514.02		G $\frac{1}{2}$ "	



图示=右手型
Picture = right hand cutting version

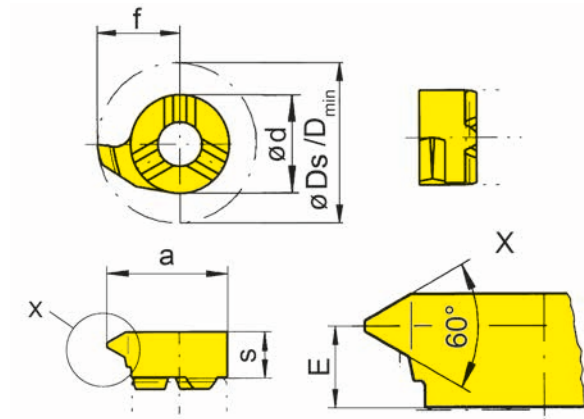
产品型号 Part number	d	l ₁	l ₂	d ₁	形式 Form	HWS
M306.0712.02A	12	90	30	7.3	A	306060R • 306060L
M306.0716.01A	16	100	25	7.3	A	306060R • 306060L
M306.0716.02A	16	110	35	7.3	A	306060R • 306060L
M306.0712.02B	12	90	30	7.3	B	306060R • 306060L
M306.0716.01B	16	100	25	7.3	B	306060R • 306060L
M306.0716.02B	16	110	35	7.3	B	306060R • 306060L
M306.0712.02E	12	90	30	7.3	E	306060R • 306060L
M306.0716.01E	16	100	25	7.3	E	306060R • 306060L
M306.0716.02E	16	110	35	7.3	E	306060R • 306060L

Ds见刀片
Ds see inserts

配件
Spare Parts

铣刀杆 Milling shank	锁紧螺钉 Clamping Screw	TORX PLUS®扳手 TORX PLUS® Wrench
M306...	2.6.5T8EP	T8PL





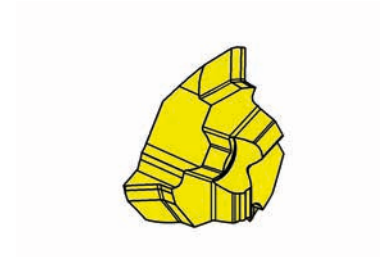
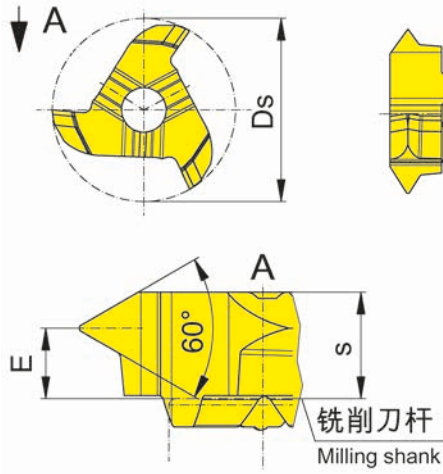
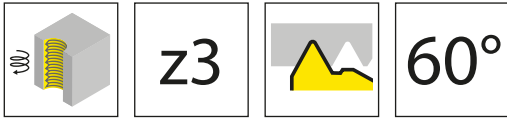
R=右手型-如图
R = right hand version shown

L=左手型
L = left hand version

硬质合金牌号
Carbide grades
▲ 库存
on stock
△ 4周
4 weeks

产品型号 Part number	P	P _{max}	E	f	a	d	s	D _{min}	D _s	HIS	MG12	EG55	TH35	TI25	TN35
R108.0205.01	0.5	0.75	2.8	4.8	7.8	6	3.6	8	9.6	306060R	▲	▲	▲		▲
R108.0815.01	1.5	1.75	2.6	4.8	7.8	6	3.6	8	9.6	306060R	▲	▲	▲		▲
R108.0510.01	1	1.25	2.8	4.8	7.8	6	3.6	8	9.6	306060R	▲	▲	▲	▲	▲
L108.0205.01	0.5	0.75	2.8	4.8	7.8	6	3.6	8	9.6	306060L	△	▲	▲		▲
L108.0815.01	1.5	1.75	2.6	4.8	7.8	6	3.6	8	9.6	306060L	△	▲	▲		▲
L108.0510.01	1	1.25	2.8	4.8	7.8	6	3.6	8	9.6	306060L	△	▲	▲	▲	▲
P	○	●	●	●	●	●	●	●	●	●	●	●	●	●	●
M	-	○	●	●	●	●	●	●	●	●	●	●	●	●	●
K	-	○	●	●	●	●	●	●	●	●	●	●	●	●	●
N	-	-	●	●	●	●	●	●	●	●	●	●	●	●	●
S	-	-	●	●	●	●	●	●	●	●	●	●	●	●	●
H	-	-	-	-	-	-	-	-	-	-	-	-	-	-	-

G



图示=右手型
Picture = right hand cutting version

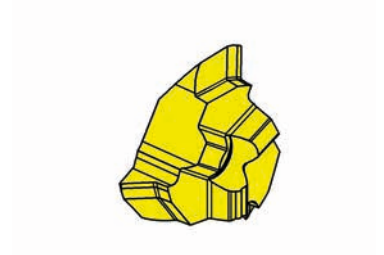
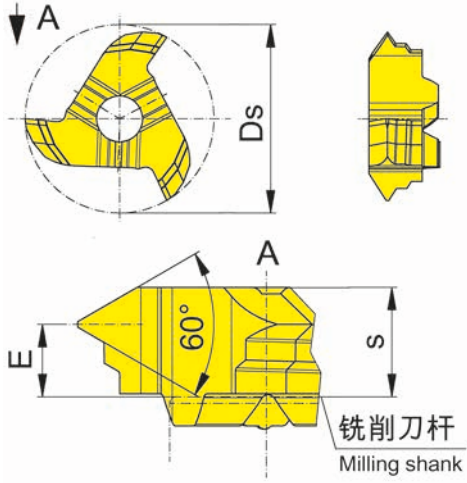
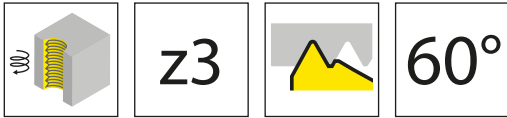
硬质合金牌号
Carbide grades

▲ 库存
on stock

△ 4周
4 weeks

产品型号 Part number	P	P _{max}	E	s	Ds	HIS	AS45	TA45	TF45	TI25	TN35
306.0515.01	0.5	1.5	2.3	3.4	10	306060R	▲	▲			
306.0720.01	1	2	1.95	3.4	11.7	306060R	▲		▲	▲	▲
306.0815.01	1.5	1.5	2.25	3.4	11.7	306060R	▲		△	▲	▲
306.1020.01	2	2	2.2	3.4	10	306060R	▲			▲	
306.2530.01	2.5	3	1.7	3.4	11.7	306060R	▲		▲	▲	▲
P	●	●	●	●	●						
M	●	●	●	●	●						
K	●	●	●	●	●						
N	○	●	●	●	●						
S	●	●	●	●	●						
H	-	-	-	-	-						



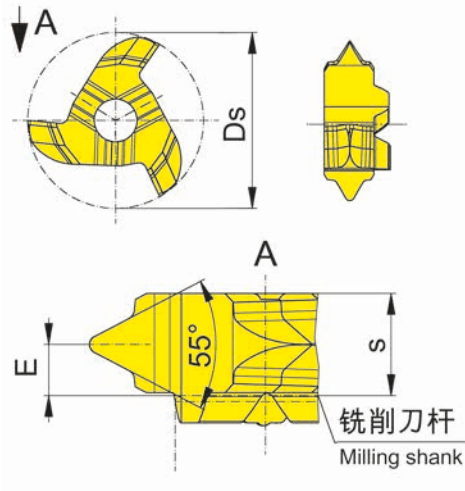
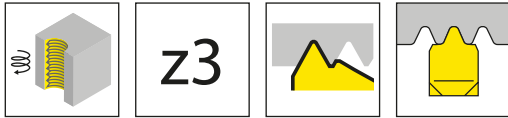


图示=右手型
Picture = right hand cutting version

硬质合金牌号
Carbide grades
▲ 库存 on stock
△ 4周 4 weeks

产品型号 Part number	P	E	s	Ds	HIS	AS45	TA45
306.0510.02	1	2.5	3.4	11.7	306060R	▲	
306.0815.02	1.5	2.25	3.4	11.7	306060R	▲	▲
306.1020.02	2	2.2	3.4	10	306060R	▲	▲
						P ● ●	
						M ● ●	
						K ● ●	
						N ○ ●	
						S ● ●	
						H - -	

G



图示=右手型
Picture = right hand cutting version

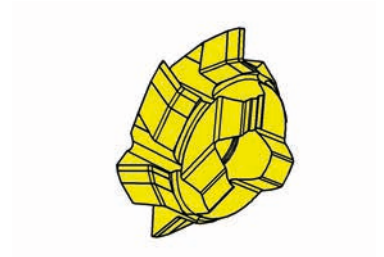
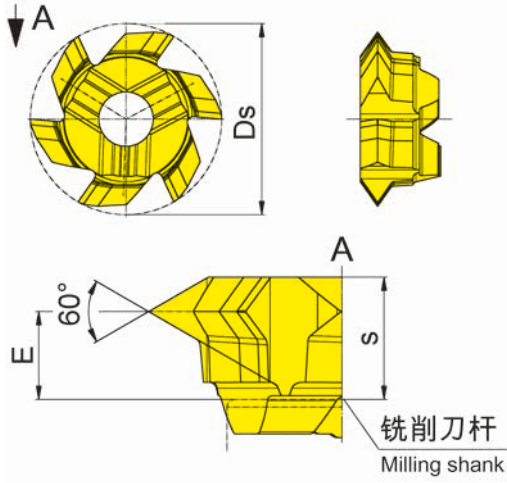
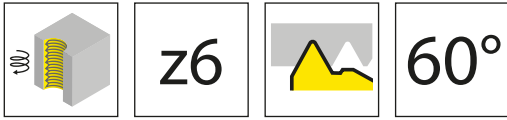
硬质合金牌号
Carbide grades

▲ 库存
on stock

△ 4周
4 weeks

产品型号 Part number	TPI	E	s	Ds	HIS	硬质合金牌号 Carbide grades				
						AS45	TA45	TF45	TI25	TN35
306.5511.02	11	1.7	3.4	11.7	306060R	▲	▲		△	
306.5514.02	14	2	3.4	11.7	306060R	▲	▲			△
306.5519.02	19	2.2	3.4	11.7	306060R	▲	▲			
306.5519.10.02	19	2.2	3.4	9.7	306060R	▲	▲			
						P	●	●	●	●
						M	●	●	●	●
						K	●	●	●	●
						N	○	●	●	●
						S	●	●	●	●
						H	-	-	-	-



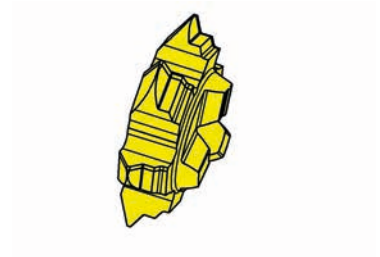
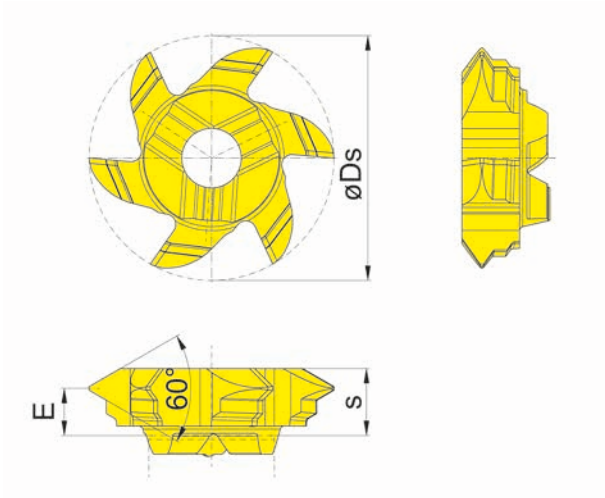
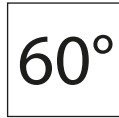
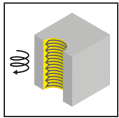


图示=右手型
Picture = right hand cutting version

硬质合金牌号
Carbide grades
▲ 库存 on stock
△ 4周 4 weeks

产品型号 Part number	P	P _{max}	E	s	Ds	HIS	AS45	TA45
606.0515.01	0.5	1.5	2.3	3.15	10	306060R	▲	▲
606.0720.01	1	2	1.95	3.15	11.7	306060R	▲	▲
							P ● ●	
							M ● ●	
							K ● ●	
							N ○ ●	
							S ● ●	
							H - -	

G

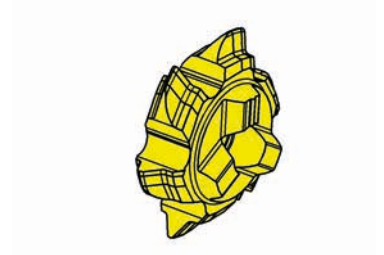
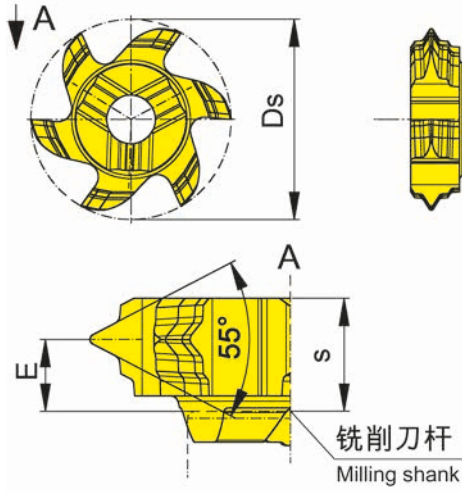
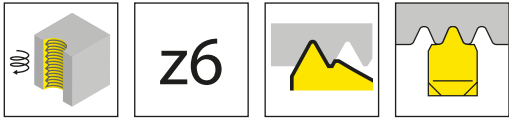


图示=右手型
Picture = right hand cutting version

硬质合金牌号
Carbide grades
▲ 库存
on stock
△ 4周
4 weeks

产品型号 Part number	P	E	s	Ds	HIS	AS45	TA45
606.0510.02	1	2.5	3.2	11.7	306060R	▲	▲
606.0815.02	1.5	2.25	3.2	11.7	306060R	▲	▲
						P ●	●
						M ●	●
						K ●	●
						N ○	●
						S ●	●
						H -	-





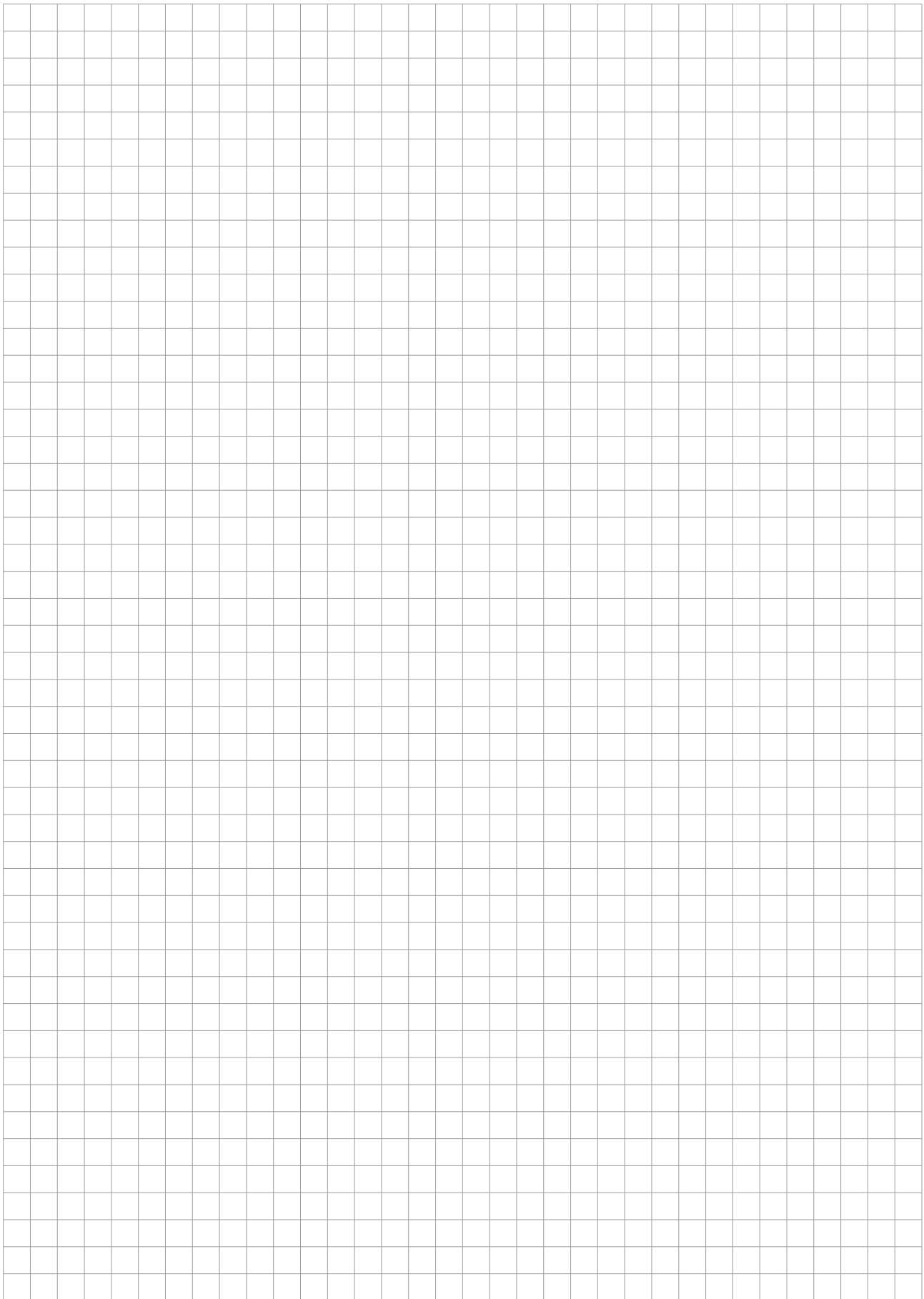
图示=右手型
Picture = right hand cutting version

▲ 库存
on stock

硬质合金牌号
Carbide grades
△ 4周
4 weeks

产品型号 Part number	TPI	E	s	Ds	HIS	Carbide grades		
						AS45	TA45	TI25
606.5519.10.02	19	2.1	3.3	9.7	306060R	▲	▲	△
606.5514.02	14	2	3.3	11.7	306060R	▲	▲	△
606.5519.02	19	2.1	3.3	11.7	306060R	▲	▲	△
						P	●	●
						M	●	●
						K	●	●
						N	○	●
						S	●	●
						H	-	-

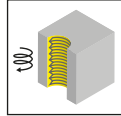
G



概述
Overview

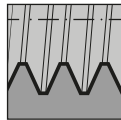
页/Page
298

铣刀杆
Milling shank
M308

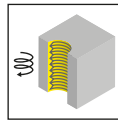


页/Page
299

刀片
Insert
111/308/608



页/Page
300-301



页/Page
302-305

注意:

公称直径总是螺纹上最大的直径。通常，这描述以螺纹尺寸为基础。

例如 M12 x 1 -> 公称直径 12

如果工件的公称直径小于推荐值，铣刀的过切会产生轮廓误差。

Attention:

The nominal diameter is always the largest \varnothing on the thread. As a rule, the designation is based on the size of the thread.

Example: M12 x 1 -> nominal diameter 12

Recutting of the milling tool will create profile errors if the nominal diameter of the component will be smaller than recommended.

M308



G

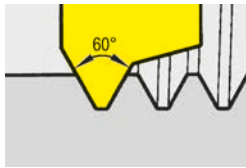
螺纹铣刀(圆弧插补铣削)

切削刃自 \varnothing 13.2 mm

Thread Milling Cutter
(by circular interpolation)

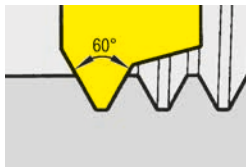
from cutting edge \varnothing 13,2 mm

非全牙型, 米制 型号 111, 308
Partial profile, metric type 111, 308



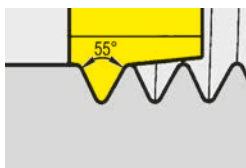
螺距 / Pitch P	0,5	0,75	1,0	1,25	1,5	1,75	2,0	2,5	3,0
公称直径 / Nominal diameter									
型号 / type 111 / Ds 13,4									
R/L111.0205.01	≥ 18	≥ 16							
R/L111.0510.01			≥ 18	≥ 18					
R/L111.0815.01					≥ 20	≥ 20			
R/L111.1020.01							≥ 22		
R/L111.1325.01								≥ 24	
型号 / type 308 / Ds 13,2									
308.1325.01								≥ 18	
型号 / type 308 / Ds 15,7									
308.0815.01					≥ 22				
308.0720.01			≥ 20	≥ 20	≥ 20	≥ 20	≥ 20		
308.2530.01								≥ 24	≥ 24

非全牙型, 米制 型号 608
Partial profile, metric type 608



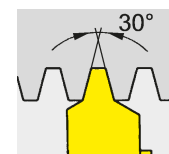
螺距 / Pitch P	0,5	0,75	1,0	1,25	1,5	1,75	2,0	2,5	3,0
公称直径 / Nominal diameter									
型号 / type 608 / Ds 13,2									
608.1325.01								≥ 18	
型号 / type 608 / Ds 15,7									
608.0720.01			≥ 20	≥ 20	≥ 20	≥ 20	≥ 20		
608.2530.01								≥ 24	≥ 24

全牙型, 惠氏螺纹 型号111, 608
Full profile, Whitworth type 111, 608



每英寸齿数 / tpi	19	14
公称直径 Nominal diameter		
型号 / type 111 / Ds 13,4		
111.5519.02	≥ 18	
111.5514.02		≥ 21
螺纹 / Thread		
型号 / type 608 / Ds 13,5		
608.5514.02		G½"/G¾"

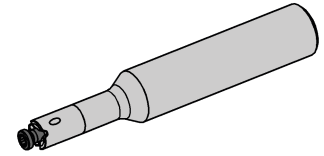
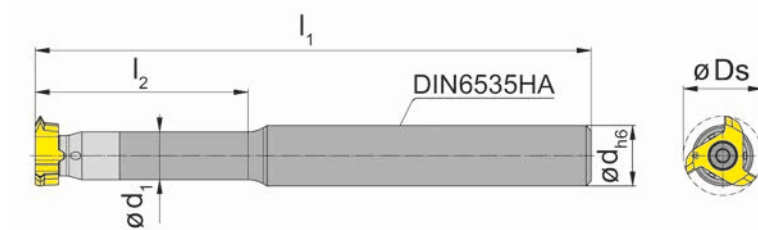
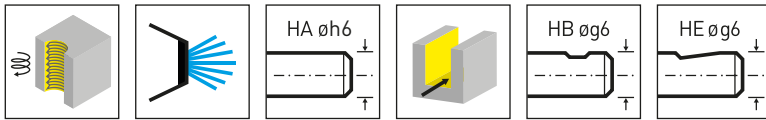
梯形螺纹, 米制螺纹 型号 608
Trapezoidal thread, metric type 608



608.1525.01	Tr24x2,5
608.1730.01	Tr24x3
608.2240.01	Tr24x4

铣刀杆 Milling shank

M308



图示=右手型
Picture = right hand cutting version

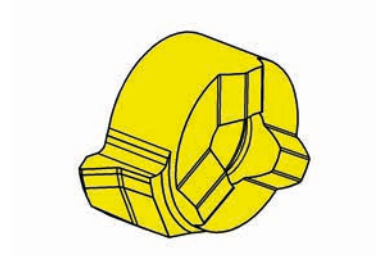
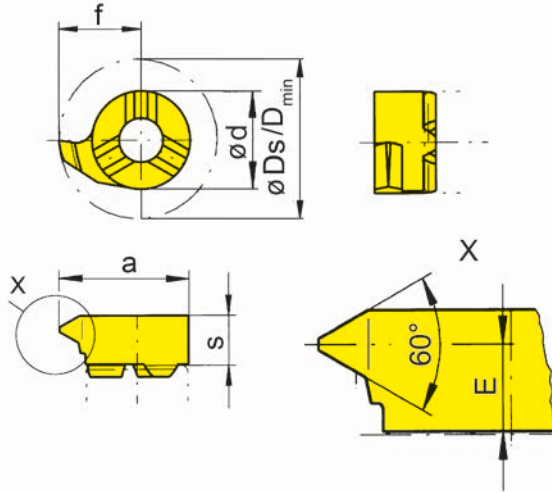
产品型号 Part number	d	l ₁	l ₂	d ₁	形式 Form	HWS
M308.0012.07A	12	160	-	8	A	308080R • 308080L
M308.1012.02A	12	110	42	9.5	A	308080R • 308080L
M308.1016.01A	16	110	33	9.5	A	308080R • 308080L
M308.1016.02A	16	110	45	9.5	A	308080R • 308080L
M308.1016.03A	16	130	64	9.5	A	308080R • 308080L
M308.1012.02B	12	110	42	9.5	B	308080R • 308080L
M308.1016.01B	16	110	33	9.5	B	308080R • 308080L
M308.1016.02B	16	110	45	9.5	B	308080R • 308080L
M308.1016.03B	16	130	64	9.5	B	308080R • 308080L
M308.1012.02E	12	110	42	9.5	E	308080R • 308080L
M308.1016.01E	16	110	33	9.5	E	308080R • 308080L
M308.1016.02E	16	110	45	9.5	E	308080R • 308080L
M308.1016.03E	16	130	64	9.5	E	308080R • 308080L

Ds见刀片
Ds see inserts

配件 Spare Parts

铣刀杆 Milling shank	锁紧螺钉 Clamping Screw	TORX PLUS®扳手 TORX PLUS® Wrench
M308...	3.5.12T10EP	T10PL





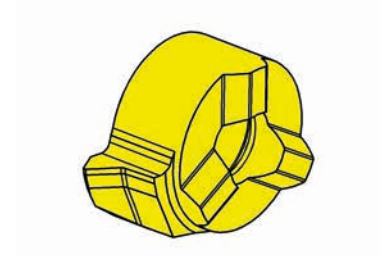
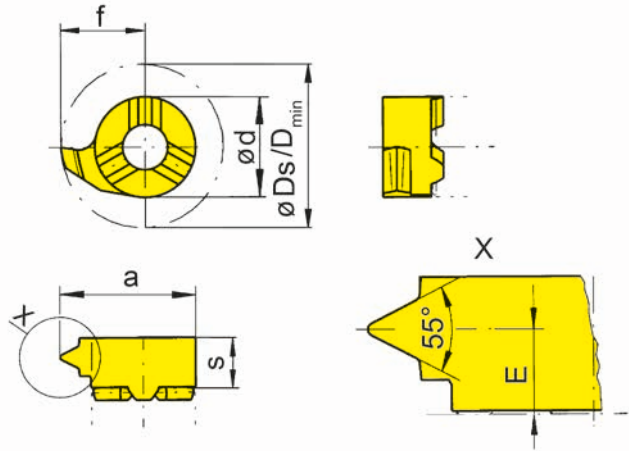
R=右手型-如图
R = right hand version shown

L=左手型
L = left hand version

硬质合金牌号
Carbide grades
▲ 库存
on stock
△ 4周
4 weeks

产品型号 Part number	P	P _{max}	E	s	f	a	d	D _s	D _{min}	HIS	EG55	TH35	TN35	
R111.0205.01	0.5	0.75	3.5	4.15	6.7	10.7	8	13.4	11	308080R	▲	▲	▲	
R111.0510.01	1	1.25	3.3	4.15	6.7	10.7	8	13.4	11	308080R	▲	▲	▲	
R111.0815.01	1.5	1.75	3.3	4.15	6.7	10.7	8	13.4	11	308080R	▲	▲	▲	
R111.1020.01	2	2	3	4.15	6.7	10.7	8	13.4	11	308080R	▲	▲	▲	
L111.0205.01	0.5	0.75	3.5	4.15	6.7	10.7	8	13.4	11	308080L	△	△	▲	
L111.0510.01	1	1.25	3.3	4.15	6.7	10.7	8	13.4	11	308080L	▲	△	▲	
L111.0815.01	1.5	1.75	3.3	4.15	6.7	10.7	8	13.4	11	308080L	▲	△	▲	
L111.1020.01	2	2	3	4.15	6.7	10.7	8	13.4	11	308080L	△	△	▲	
											P	●	●	●
											M	○	●	●
											K	○	●	●
											N	-	●	●
											S	-	●	●
											H	-	-	-

G



R=右手型-如图
R = right hand version shown

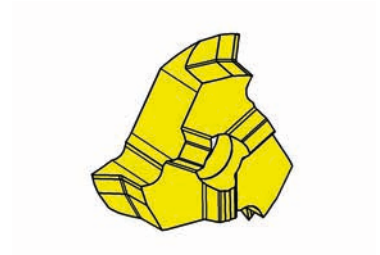
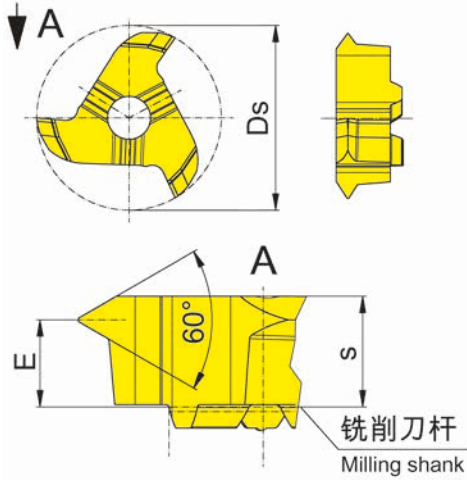
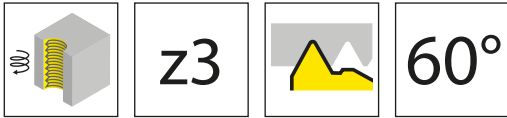
L=左手型
L = left hand version

▲ 库存
on stock

硬质合金牌号
Carbide grades
△ 4周
4 weeks

产品型号 Part number	TPI	E	s	f	a	d	Ds	D _{min}	HIS	EG55	TA45	TN35
R111.5514.02	14	2.5	4.15	6.7	10.7	8	13.4	11	308080R	▲		▲
R111.5519.02	19	2.9	4.15	6.7	10.7	8	13.4	11	308080R	▲	△	▲
L111.5514.02	14	2.5	4.15	6.7	10.7	8	13.4	11	308080L	△		▲
L111.5519.02	19	2.9	4.15	6.7	10.7	8	13.4	11	308080L		△	▲
P	●	●	●									
M	○	●	●									
K	○	●	●									
N	-	●	●									
S	-	●	●									
H	-	-	-									





图示=右手型
Picture = right hand cutting version

硬质合金牌号
Carbide grades

▲ 库存
on stock

△ 4周
4 weeks

产品型号 Part number	P	P _{max}	E	s	Ds	HIS	AS45	TA45	TF45	TI25	TN35
308.1325.01	2.5	2.5	3.3	4.7	13.2	308080R	▲	▲			
308.0720.01	1	2	3.3	4.7	15.7	308080R	▲			△	▲
308.0815.01	1.5	1.5	3.7	4.7	15.7	308080R	▲				▲
308.2530.01	2.5	3	2.7	4.7	15.7	308080R	▲		△	△	▲

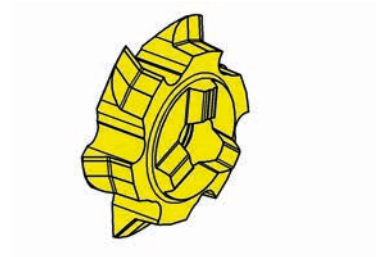
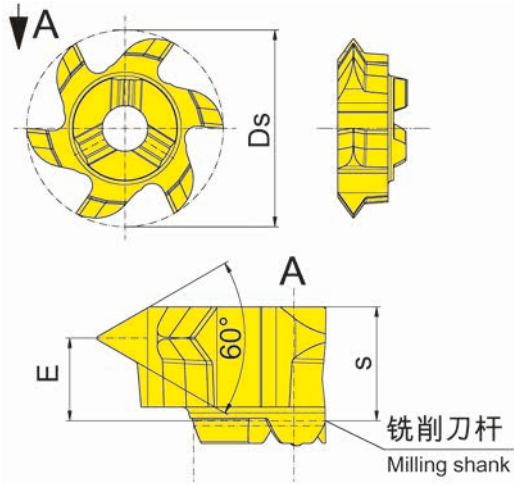
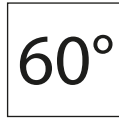
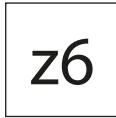
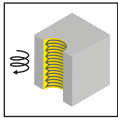
注意事项:

308.0815.01 也适用于加工螺纹 UNF 7/8"-14

Note:
308.0815.01 also suitable for production of thread UNF 7/8"-14

	P	M	K	N	S	H
AS45	●	●	●	●	●	●
TA45	●	●	●	●	●	●
TF45	●	●	●	●	●	●
TI25	●	●	●	●	●	●
TN35	●	●	●	●	●	●
	-	-	-	-	-	-

G

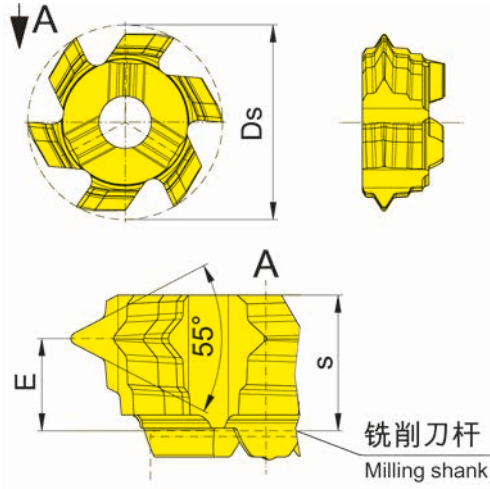
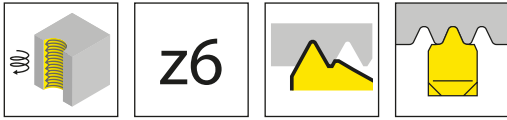


图示=右手型
Picture = right hand cutting version

硬质合金牌号
Carbide grades
▲ 库存 on stock
△ 4周 4 weeks

产品型号 Part number	P	P _{max}	E	s	Ds	HIS	AS45	TA45	TI25
608.0720.01	1	2	3.3	4.55	15.7	308080R	▲		▲
608.1325.01	2.5	2.5	3.3	4.55	13.2	308080R	▲	▲	
608.2530.01	2.5	3	2.9	4.55	15.7	308080R	▲		▲
注意事项: 608.1325.01 也适用于加工螺纹 UNF 7/8"-14 Note: 608.1325.01 also suitable for production of thread UNF 7/8"-14							P ●	●	●
							M ●	●	●
							K ●	●	●
							N ○	●	●
							S ●	●	●
							H -	-	-



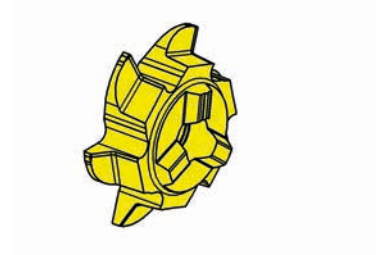
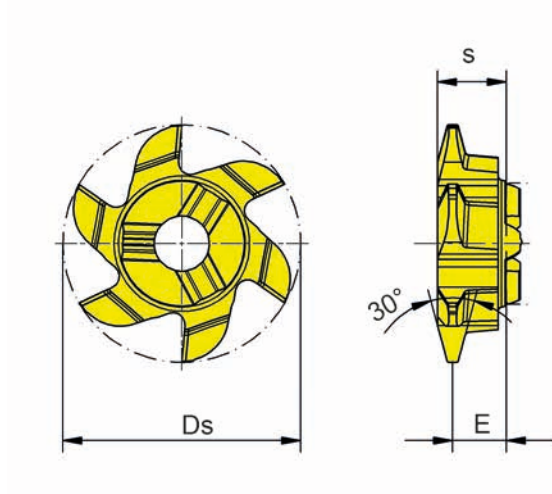
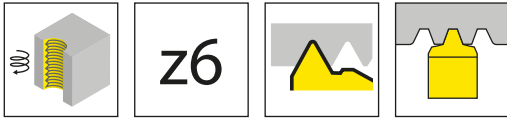


图示=右手型
Picture = right hand cutting version

硬质合金牌号
Carbide grades
▲ 库存
on stock
△ 4周
4 weeks

产品型号 Part number	TPI	E	s	Ds	HIS	AS45	TA45	TI25
608.5514.02	14	3.2	4.7	13.5	308080R	▲	▲	△
						P ●	●	●
						M ●	●	●
						K ●	●	●
						N ○	●	●
						S ●	●	●
						H -	-	-

G



图示=右手型
Picture = right hand cutting version

硬质合金牌号
Carbide grades

▲ 库存
on stock

△ 4周
4 weeks

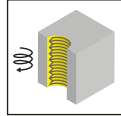
产品型号 Part number	P	s	E	Ds	HIS	EG55
608.1525.01	2.5	4.55	3.56	15.7	308080R	▲
608.1730.01	3	4.55	3.4	15.7	308080R	▲
608.2240.01	4	4.55	3.16	15.7	308080R	▲
	P	●				
	M	○				
	K	○				
	N	-				
	S	-				
	H	-				



概述
Overview

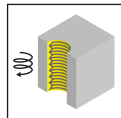
页/Page
308

铣刀杆
Milling shank
M311



页/Page
309

刀片
Insert
311/611



页/Page
310-314

注意:

公称直径总是螺纹上最大的直径。通常，这描述以螺纹尺寸为基础。

例如 M12 x 1 -> 公称直径 12

如果工件的公称直径小于推荐值，铣刀的过切会产生轮廓误差。

Attention:

The nominal diameter is always the largest \emptyset on the thread. As a rule, the designation is based on the size of the thread.

Example: M12 x 1 -> nominal diameter 12

Recutting of the milling tool will create profile errors if the nominal diameter of the component will be smaller than recommended.

M311



G

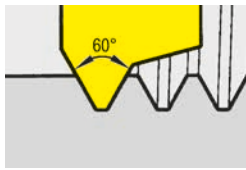
螺纹铣刀(圆弧插补铣削)

切削刃自 $\varnothing 17.7$ mm

Thread Milling Cutter
(by circular interpolation)

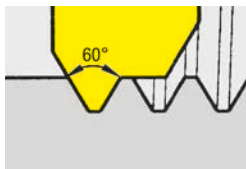
from cutting edge $\varnothing 17,7$ mm

非全牙型, 米制 型号 311, 611
Partial profile, metric type 311, 611



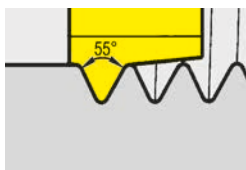
螺距/Pitch P	0,5	0,75	1,0	1,25	1,5	1,75	2,0	2,5	3,0	3,5
公称直径 / Nominal diameter										
型号 / type 311 / Ds 17,7										
311.0515.01	≥ 20	≥ 20	≥ 20	≥ 20	≥ 22					
311.0510.01			≥ 22							
311.0720.01			≥ 22	≥ 22	≥ 22	≥ 22	≥ 22			
311.0815.01					≥ 24					
311.1020.01							≥ 28			
311.1325.01								≥ 34		
311.1630.01									≥ 34	
311.1835.01										≥ 34
311.2535.01								≥ 28	≥ 24	≥ 26
型号 / type 611 / Ds 17,7										
611.0515.01	≥ 20	≥ 20	≥ 20	≥ 20	≥ 22					
611.0720.01			≥ 22	≥ 22	≥ 22	≥ 22	≥ 22			
611.2535.01								≥ 28	≥ 24	≥ 26

全牙型, 米制螺纹 型号 311, 611
Full profile, metric type 311, 611

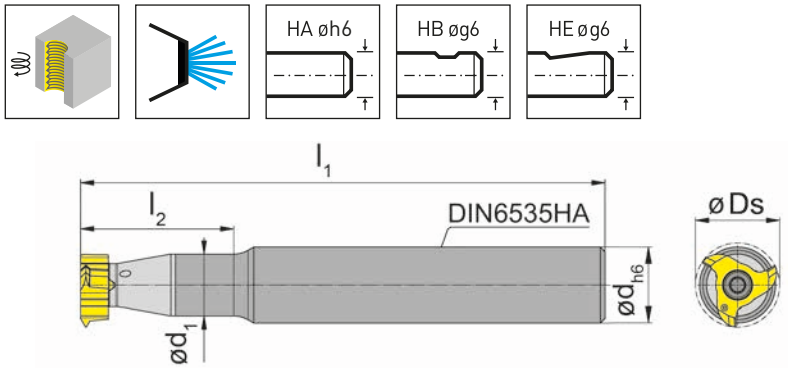


螺距/Pitch P	1,5	1,75	2,0	2,5	3,0	3,5
公称直径 / Nominal diameter						
型号 / type 311 / Ds 17,7						
311.0815.02	≥ 23					
311.0917.02		≥ 24,5				
311.1020.02			≥ 25,5			
311.1325.02				≥ 28,5		
311.1630.02					≥ 32	
311.1835.02						≥ 35
型号 / type 611 / Ds 17,7						
611.0815	≥ 23					

全牙型, 惠氏螺纹 型号 311
Full profile, Whitworth type 311



每英寸齿数 / tpi	14	11
螺纹 / Thread		
型号 / type 311 / Ds 17,7		
311.5514.02	G ³ / ₄ "	
311.5511.02		G1"



图示=右手型

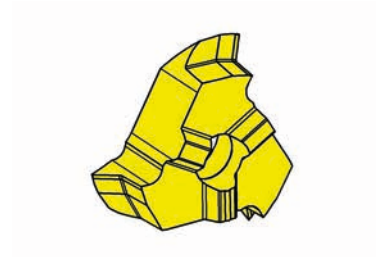
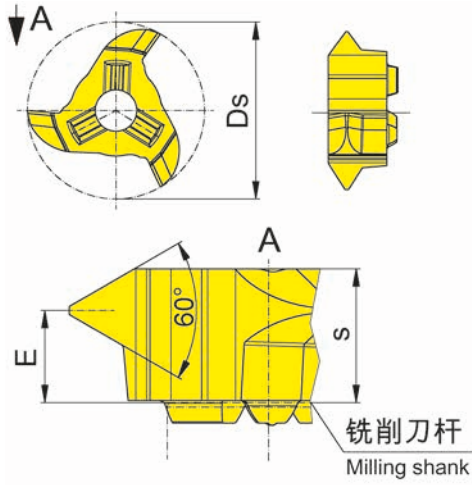
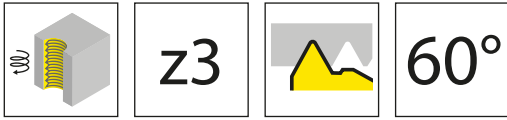
Picture = right hand cutting version

产品型号 Part number	d	l ₁	l ₂	d ₁	形式 Form	HWS
M311.0012.05A	12	130	20	9	A	311090R
M311.1316.01A	16	110	32	13	A	311090R
M311.1316.02A	16	130	45	13	A	311090R
M311.1316.03A	16	145	64	13	A	311090R
M311.1316.01B	16	110	32	13	B	311090R
M311.1316.02B	16	130	45	13	B	311090R
M311.1316.03B	16	145	64	13	B	311090R
M311.1316.01E	16	110	32	13	E	311090R
M311.1316.02E	16	130	45	13	E	311090R
M311.1316.03E	16	145	64	13	E	311090R

Ds见刀片
Ds see inserts

配件
Spare Parts

铣刀杆 Milling shank	锁紧螺钉 Clamping Screw	TORX PLUS®扳手 TORX PLUS® Wrench
M311...	4.14T15P	T15PQ

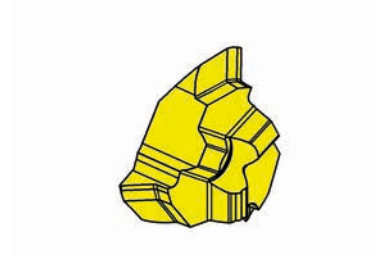
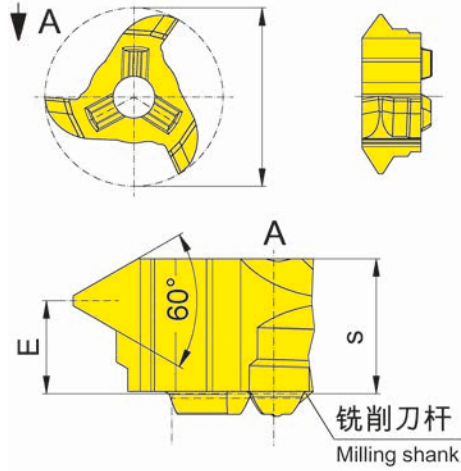
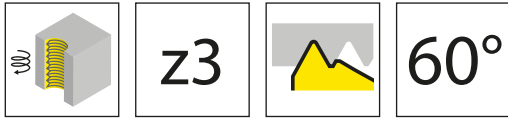


图示=右手型
Picture = right hand cutting version

硬质合金牌号
Carbide grades
▲ 库存
on stock
△ 4周
4 weeks

产品型号 Part number	P	P _{max}	E	s	Ds	HIS	AS45	TA45	TN35	
311.0515.01	0.5	1.5	4.8	5.95	17.7	311090R	▲	▲		
311.0510.01	1	1	5	5.95	17.7	311090R	▲		▲	
311.0720.01	1	2	4.6	5.95	17.7	311090R	▲		▲	
311.0815.01	1.5	1.5	4.8	5.95	17.7	311090R	▲		▲	
311.1020.01	2	2	4.6	5.95	17.7	311090R	▲		▲	
311.1325.01	2.5	2.5	4.4	5.95	17.7	311090R	▲		▲	
311.2535.01	2.5	3.5	3.7	5.95	17.7	311090R	▲		▲	
311.1630.01	3	3	4.3	5.95	17.7	311090R	▲		▲	
311.1835.01	3.5	3.5	4.1	5.95	17.7	311090R	▲		▲	
							P	●	●	●
							M	●	●	●
							K	●	●	●
							N	○	●	●
							S	●	●	●
							H	-	-	-

G

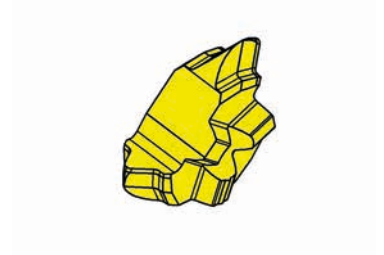
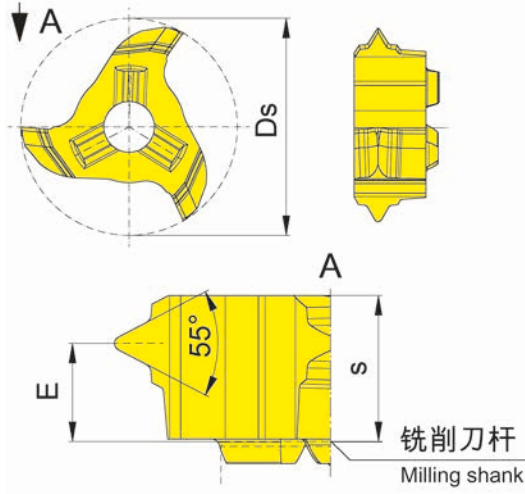
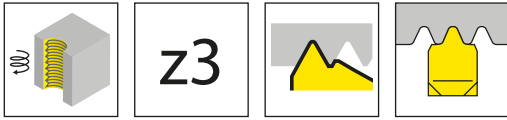


图示=右手型
Picture = right hand cutting version

硬质合金牌号
Carbide grades
▲ 库存
on stock
△ 4周
4 weeks

产品型号 Part number	P	E	s	Ds	HIS	AS45	TN35
311.0815.02	1.5	4.8	5.95	17.7	311090R	▲	▲
311.1020.02	2	4.6	5.95	17.7	311090R	▲	▲
311.1325.02	2.5	4.4	5.95	17.7	311090R	▲	△
311.1630.02	3	4.3	5.95	17.7	311090R	▲	▲
311.1835.02	3.5	4.1	5.95	17.7	311090R	▲	▲
						P ● ●	
						M ● ●	
						K ● ●	
						N ○ ●	
						S ● ●	
						H - -	





图示=右手型
Picture = right hand cutting version

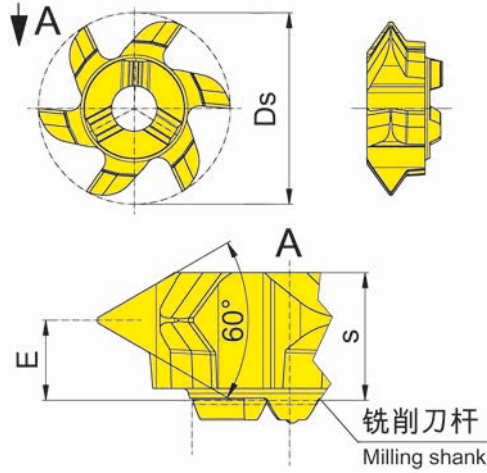
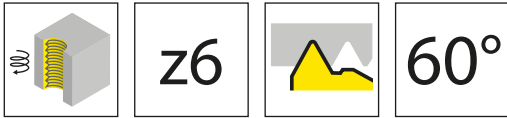
硬质合金牌号
Carbide grades

▲ 库存
on stock

△ 4周
4 weeks

产品型号 Part number	TPI	E	s	Ds	HIS	AS45	TA45	TI25	TN35
311.5511.02	11	4	5.95	17.7	311090R	▲	△	△	▲
311.5514.02	14	4.35	5.95	17.7	311090R	▲	△	▲	▲
						P ●	●	●	●
						M ●	●	●	●
						K ●	●	●	●
						N ○	●	●	●
						S ●	●	●	●
						H -	-	-	-

G

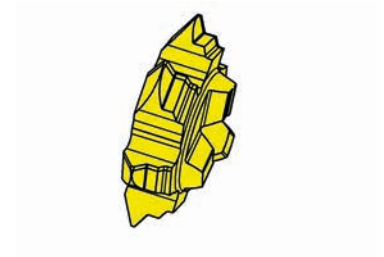
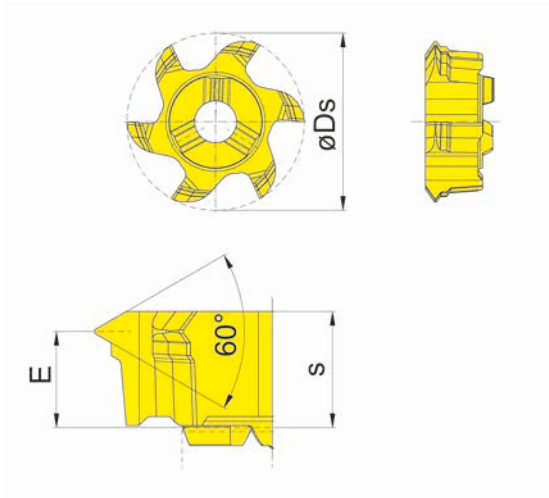
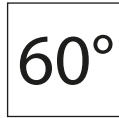
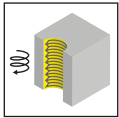


图示=右手型
Picture = right hand cutting version

硬质合金牌号
Carbide grades
▲ 库存
on stock
△ 4周
4 weeks

产品型号 Part number	P	P _{max}	E	s	D _s	HIS	AS45	TA45	TI25
611.0515.01	0.5	1.5	4.8	5.75	17.7	311090R	▲	▲	▲
611.0720.01	1	2	4.6	5.75	17.7	311090R	▲	▲	▲
611.2535.01	2.5	3.5	3.7	5.75	17.7	311090R	▲	▲	▲
注意事项: 611.2535.01 也适用于加工螺纹UNF 1 1/4"-12, 1 1/8"-12 和 1 5/8"-12 Note: 611.2535.01 also suitable for production of thread UNF 1 1/4"-12, 1 1/8"-12 and 1 5/8"-12							P ●	●	●
							M ●	●	●
							K ●	●	●
							N ○	●	●
							S ●	●	●
							H -	-	-





图示=右手型
Picture = right hand cutting version

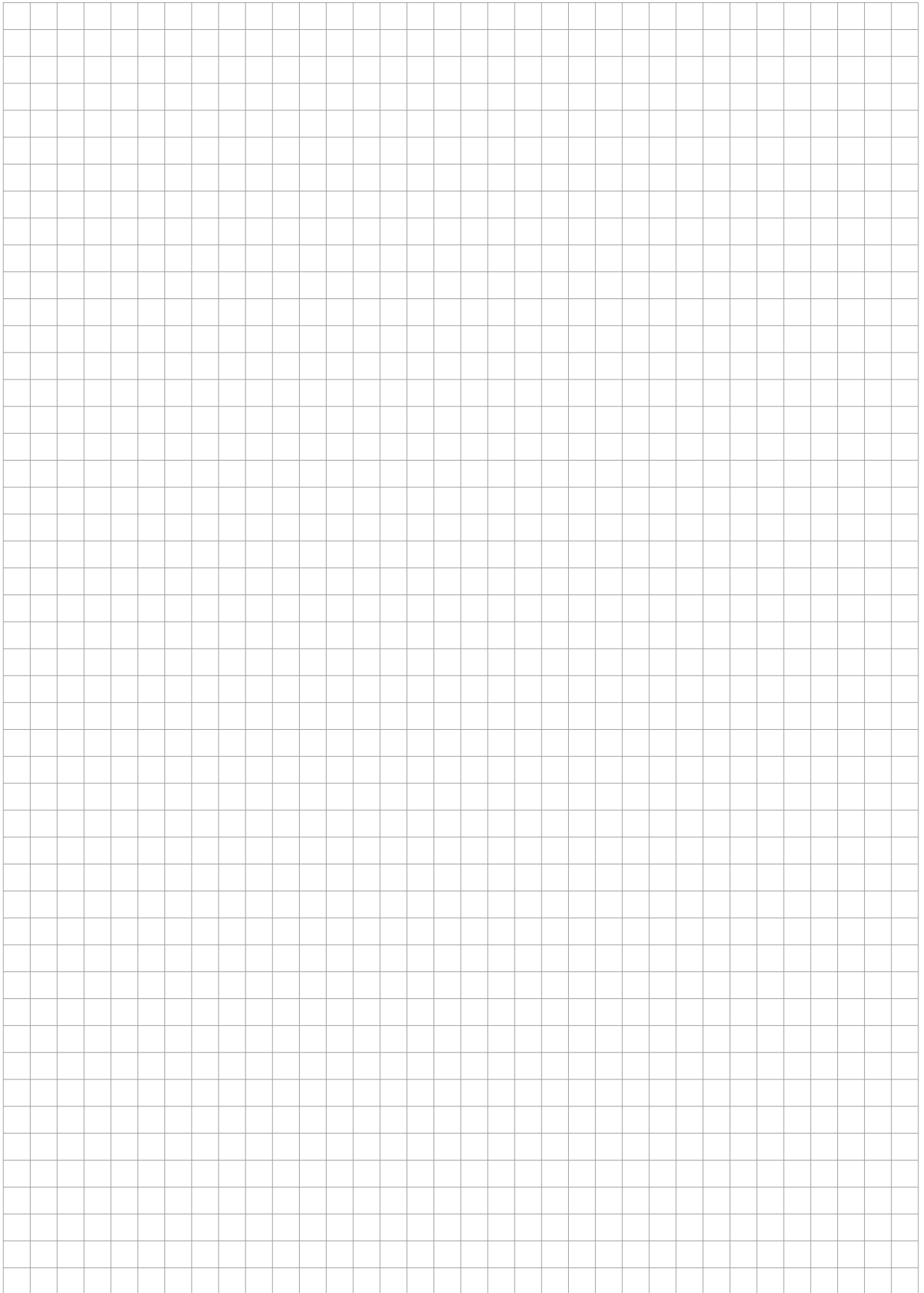
硬质合金牌号
Carbide grades

▲ 库存
on stock

△ 4周
4 weeks

产品型号 Part number	P	E	s	Ds	HIS	AS45
611.0815.02	1.5	4.8	5.95	17.7	311090R	▲
	P ●					
	M ●					
	K ●					
	N ○					
	S ●					
	H -					

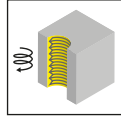
G



概述
Overview

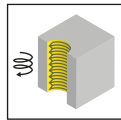
页/Page
318

铣刀杆
Milling shank
M313



页/Page
319-320

刀片
Insert
313/613



页/Page
321-325

注意:

公称直径总是螺纹上最大的直径。通常，这描述以螺纹尺寸为基础。

例如 M12 x 1 -> 公称直径 12

如果工件的公称直径小于推荐值，铣刀的过切会产生轮廓误差。

Attention:

The nominal diameter is always the largest \emptyset on the thread. As a rule, the designation is based on the size of the thread.

Example: M12 x 1 -> nominal diameter 12

Recutting of the milling tool will create profile errors if the nominal diameter of the component will be smaller than recommended.

M313



G

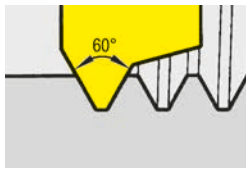
螺纹铣刀(圆弧插补铣削)

切削刃自 $\varnothing 21.7$ mm

Thread Milling Cutter
(by circular interpolation)

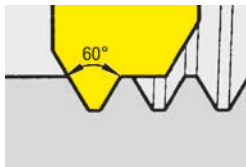
from cutting edge $\varnothing 21,7$ mm

非全牙型, 米制 型号 313, 613
Partial profile, metric type 313, 613



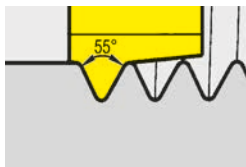
螺距 / Pitch P	1,0	1,25	1,5	1,75	2,0	2,5	3,0	3,5	4,0	4,5
公称直径 / Nominal diameter										
型号 / type 313 / Ds 21,7										
313.0720.01	≥ 27	≥ 26	≥ 26	≥ 26	≥ 26					
313.0815.01			≥ 30							
313.1020.01					≥ 32					
313.1630.01							≥ 36			
313.1835.01								≥ 36		
313.2140.01									≥ 36	
313.2445.01										≥ 38
313.2545.01						≥ 33	≥ 32	≥ 30	≥ 30	≥ 30
型号 / type 613 / Ds 21,7										
613.0720.01	≥ 27	≥ 26	≥ 26	≥ 26	≥ 26					
613.2545.01						≥ 33	≥ 32	≥ 30	≥ 30	≥ 30

全牙型, 米制螺纹 型号 313
Full profile, metric type 313

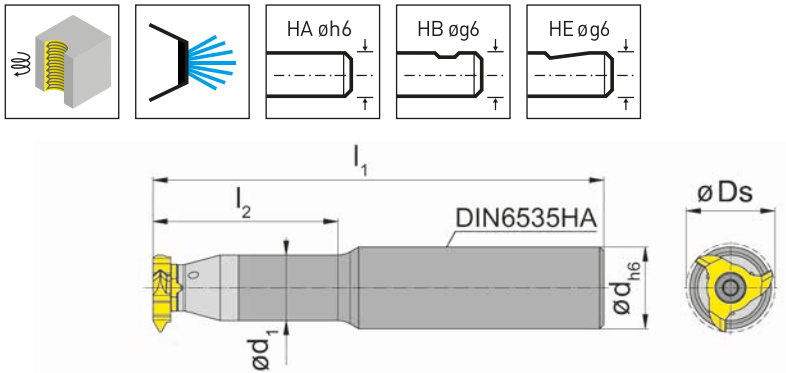


螺距 / Pitch P	1,5	2,0	3,0	3,5	4,0	4,5
公称直径 / Nominal diameter						
型号 / type 313 / Ds 21,7						
313.0815.02	≥ 27					
313.1020.02		≥ 30				
313.1630.02			≥ 37			
313.1835.02				≥ 40		
313.2140.02					≥ 44	
313.2445.02						≥ 48

全牙型, 惠氏螺纹 型号 313, 613
Full profile, Whitworth type 313, 613



每英寸齿数 / tpi	11	8	6
公称直径 Nominal diameter			
型号 / type 313 / Ds 21,7			
313.5508.02		≥ 40	
313.5506.02			≥ 48
螺纹 / Thread			
型号 / type 313 / Ds 21,7			
313.5511.02	G1"		
Typ / type 613 / Ds 21,7			
613.5511.02	G1"		



图示=右手型

Picture = right hand cutting version

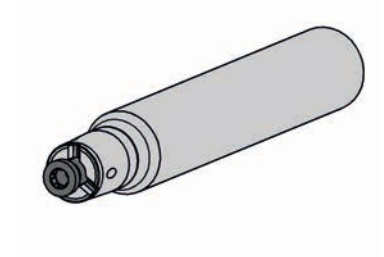
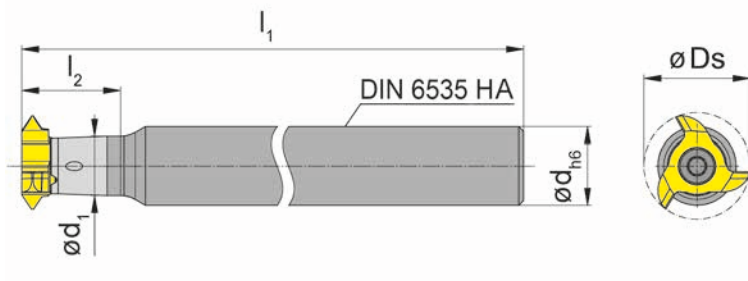
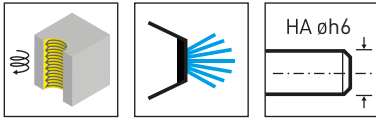
产品型号 Part number	d	l ₁	l ₂	d ₁	形式 Form	HWS
M313.1620.01A	20	110	45	16	A	313113R • 313113L
M313.1620.02A	20	130	65	16	A	313113R • 313113L
M313.1620.03A	20	160	85	16	A	313113R • 313113L
M313.1620.01B	20	110	45	16	B	313113R • 313113L
M313.1620.02B	20	130	65	16	B	313113R • 313113L
M313.1620.03B	20	160	85	16	B	313113R • 313113L
M313.1620.01E	20	110	45	16	E	313113R • 313113L
M313.1620.02E	20	130	65	16	E	313113R • 313113L
M313.1620.03E	20	160	85	16	E	313113R • 313113L

Ds见刀片
Ds see inserts

配件
Spare Parts

铣刀杆 Milling shank	锁紧螺钉 Clamping Screw	TORX PLUS®扳手 TORX PLUS® Wrench
M313...	5.14T20P	T20PQ





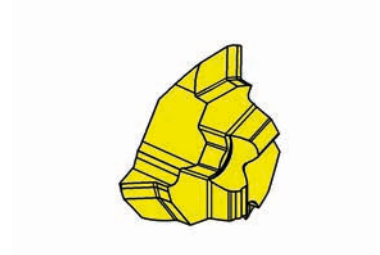
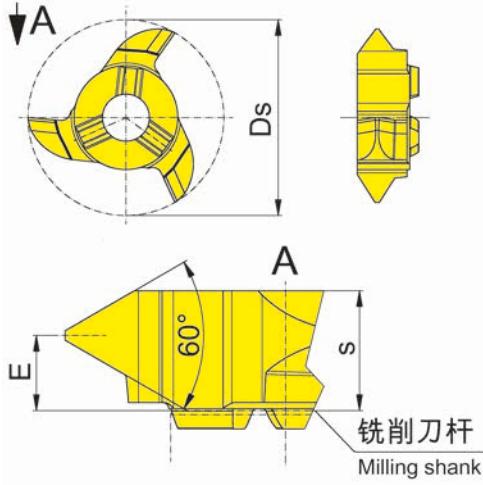
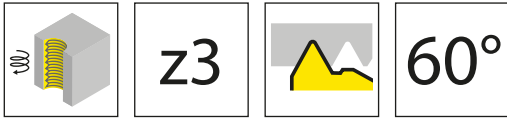
图示=右手型
Picture = right hand cutting version

产品型号 Part number	d	l ₁	l ₂	d ₁	形式 Form	HWS
M313.0016.07A	16	160	20	12	A	313113R • 313113L

Ds见刀片
Ds see inserts

配件
Spare Parts

铣刀杆 Milling shank	锁紧螺钉 Clamping Screw	TORX PLUS®扳手 TORX PLUS® Wrench
M313.0016.07A	5.14T20P	T20PQ



图示=右手型
Picture = right hand cutting version

硬质合金牌号
Carbide grades

▲ 库存
on stock

△ 4周
4 weeks

产品型号 Part number	P	P _{max}	E	s	Ds	HIS	AS45	EG55	TF45	TN35
313.0720.01	1	2	4.6	5.9	21.7	313113R	▲	▲		▲
313.0815.01	1.5	1.5	4.8	5.9	21.7	313113R	▲	▲		▲
313.1020.01	2	2	4.6	5.9	21.7	313113R	▲	▲		▲
313.1630.01	3	3	4.3	5.9	21.7	313113R	▲	▲		▲
313.1835.01	3.5	3.5	4.1	5.9	21.7	313113R	▲	▲		△
313.2140.01	4	4	3.9	5.9	21.7	313113R	▲	▲	△	▲
313.2445.01	4.5	4.5	3.7	5.9	21.7	313113R	▲	▲		▲
313.2545.01	2.5	4.5	3.7	5.9	21.7	313113R	▲	▲		▲

注意事项:

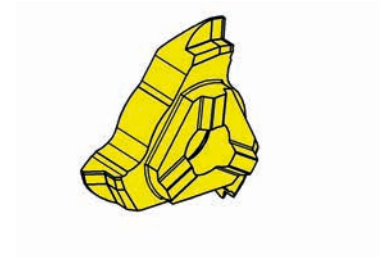
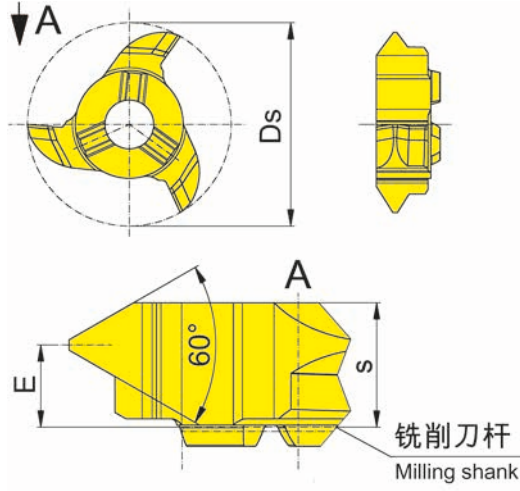
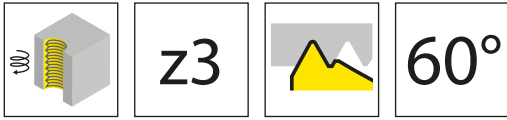
313.1020.01 也适用于加工螺纹UNF 1 1/4"-12, 1 1/8"-12 和 1 5/8"-12

note:

313.1020.01 also suitable for production of thread UNF 1 1/4"-12, 1 1/8"-12 and 1 5/8"-12

P	●	●	●	●
M	●	○	●	●
K	●	○	●	●
N	○	-	●	●
S	●	-	●	●
H	-	-	-	-





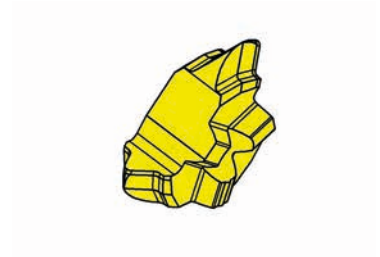
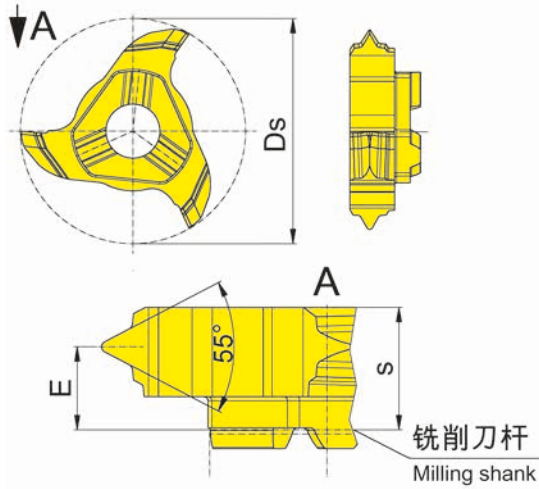
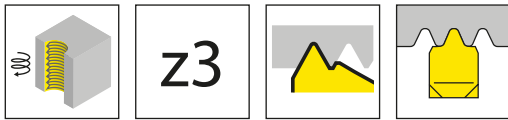
图示=右手型
Picture = right hand cutting version

▲ 库存
on stock

硬质合金牌号
Carbide grades
△ 4周
4 weeks

产品型号 Part number	P	E	s	Ds	HIS	AS45	EG55	TN35
313.0815.02	1.5	4.8	5.9	21.7	313113R	▲	▲	▲
313.1020.02	2	4.6	5.9	21.7	313113R	▲	▲	▲
313.1630.02	3	4.3	5.9	21.7	313113R	▲	▲	▲
313.1835.02	3.5	4.1	5.9	21.7	313113R	▲	▲	▲
313.2140.02	4	3.9	5.9	21.7	313113R	▲	▲	▲
313.2445.02	4.5	3.8	5.9	21.7	313113R	▲	▲	▲
						P ●	●	●
						M ●	○	●
						K ●	○	●
						N ○	-	●
						S ●	-	●
						H -	-	-

G



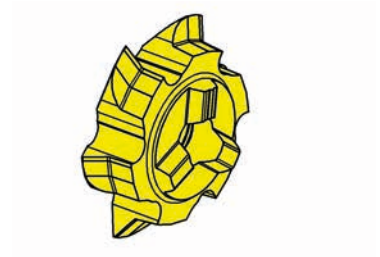
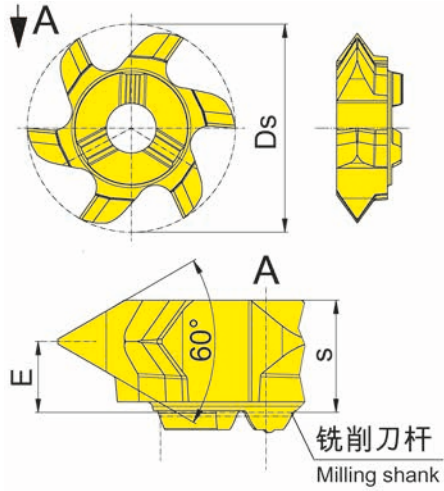
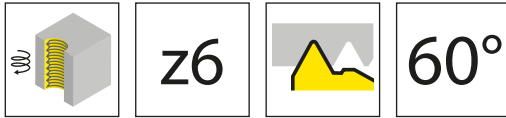
图示=右手型
Picture = right hand cutting version

▲ 库存 on stock
▲ 4周 4 weeks

硬质合金牌号
Carbide grades

产品型号 Part number	TPI	E	s	Ds	HIS	硬质合金牌号 Carbide grades		
						AS45	EG55	TN35
313.5506.02	6	3	5.9	21.7	313113R	▲	▲	△
313.5508.02	8	3.6	5.9	21.7	313113R	▲	▲	▲
313.5511.02	11	4	5.9	21.7	313113R	▲	▲	▲
P	●	●	●			●	●	●
M	●	○	●			●	○	●
K	●	○	●			●	○	●
N	○	-	●			○	-	●
S	●	-	●			●	-	●
H	-	-	-			-	-	-



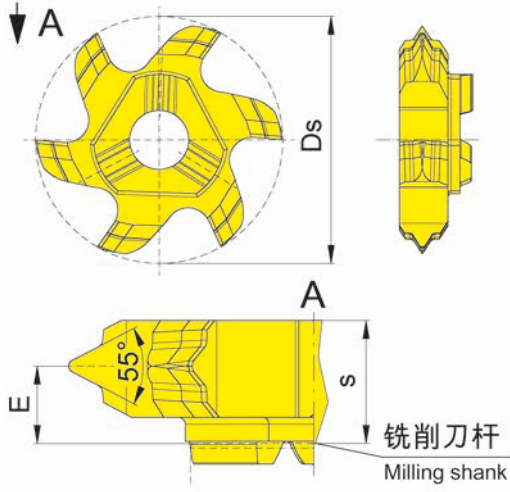
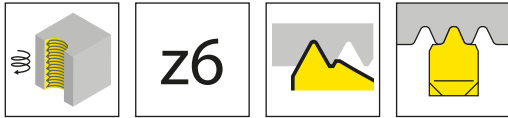


图示=右手型
Picture = right hand cutting version

▲ 库存 on stock
▲ 4周 4 weeks

硬质合金牌号
Carbide grades

产品型号 Part number	P	P _{max}	E	s	Ds	HIS	AS45	EG55	T125
613.0720.01	1	2	4.6	5.6	21.7	313113R	▲	▲	▲
613.2545.01	2.5	4.5	3.7	5.75	21.7	313113R	▲	▲	▲
	P	●	●	●			●	●	●
	M	●	○	●			●	○	●
	K	●	○	●			●	○	●
	N	○	-	●			○	-	●
	S	●	-	●			●	-	●
	H	-	-	-			-	-	-



图示=右手型
Picture = right hand cutting version

硬质合金牌号
Carbide grades

▲ 库存
on stock

△ 4周
4 weeks

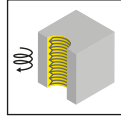
产品型号 Part number	TPI	E	s	Ds	HIS	硬质合金牌号 Carbide grades			
						AS45	EG55	TA45	TI25
613.5511.02	11	3.4	5.4	21.7	313113R	▲	▲	▲	▲
						P	●	●	●
						M	●	○	●
						K	●	○	●
						N	○	-	●
						S	●	-	●
						H	-	-	-



概述
Overview

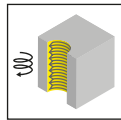
页/Page
328

铣刀杆
Milling shank
M328/SM328



页/Page
329-330

刀片
Insert
328/628



页/Page
331-334

注意:

公称直径总是螺纹上最大的直径。通常，这描述以螺纹尺寸为基础。

例如 M12 x 1 -> 公称直径 12

如果工件的公称直径小于推荐值，铣刀的过切会产生轮廓误差。

Attention:

The nominal diameter is always the largest \varnothing on the thread. As a rule, the designation is based on the size of the thread.

Example: M12 x 1 -> nominal diameter 12

Recutting of the milling tool will create profile errors if the nominal diameter of the component will be smaller than recommended.

M328



G

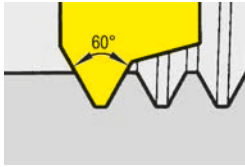
螺纹铣刀(圆弧插补铣削)

切削刃自 $\varnothing 27.7$ mm

Thread Milling Cutter
(by circular interpolation)

from cutting edge $\varnothing 27,7$ mm

非全牙型, 米制 型号 328, 628
Partial profile, metric type 328, 628



螺距 / Pitch P	1,0	1,25	1,5	1,75	2,0	2,5
--------------	-----	------	-----	------	-----	-----

公称直径 / Nominal diameter

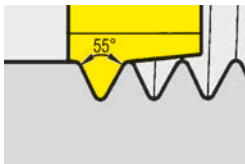
型号 / type 328 / Ds 27,7						
328.0720.01	≥ 32	≥ 32	≥ 32	≥ 32	≥ 32	
328.1525.01			≥ 34	≥ 34	≥ 34	≥ 34
型号 / type 628 / Ds 27,7						
628.1525.01			≥ 34	≥ 34	≥ 34	≥ 34

螺距 / Pitch P	3,0	3,5	4,0	4,5	5,0	5,5	6,0
--------------	-----	-----	-----	-----	-----	-----	-----

公称直径 / Nominal diameter

型号 / type 328 / Ds 27,7							
328.3050.01	≥ 40	≥ 38	≥ 38	≥ 38	≥ 38		
328.5060.01					≥ 48	≥ 46	≥ 44
型号 / type 628 / Ds 27,7							
628.3050.01	≥ 40	≥ 38	≥ 38	≥ 38	≥ 38		
628.5060.01					≥ 48	≥ 46	≥ 44

非全牙型, 米制 型号 328, 628
Full profile, Whitworth type 328, 628

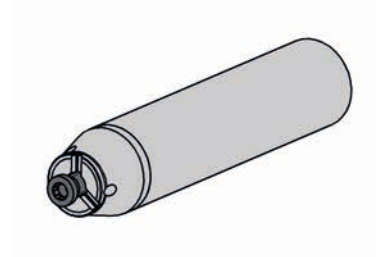
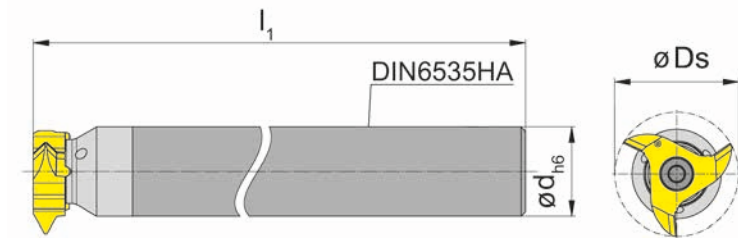
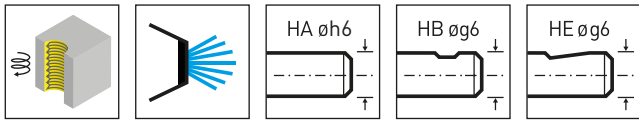


每英寸齿数 / tpi	11
-------------	----

螺纹 / Thread

型号 / type 328 / Ds 27,7	
328.5511.02	G1½"
型号 / type 628 / Ds 27,7	
628.5511.02	G1½"

G



图示=右手型
Picture = right hand cutting version

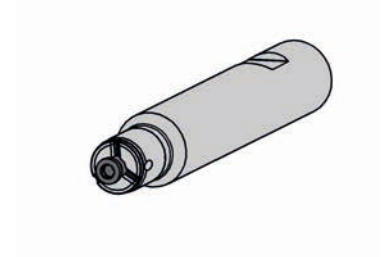
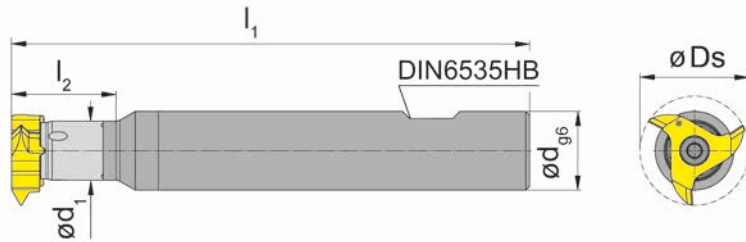
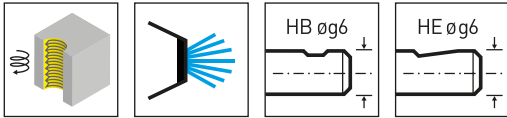
产品型号 Part number	d	l ₁	形式 Form	HWS
M328.0020.10A	20	250	A	328143R
M328.0020.D.05A	20	145	A	328143R
M328.0020.D.06A	20	160	A	328143R
M328.0020.D.07A	20	180	A	328143R
M328.0020.D.05B	20	145	B	328143R
M328.0020.D.06B	20	160	B	328143R
M328.0020.D.07B	20	180	B	328143R
M328.0020.D.05E	20	145	E	328143R
M328.0020.D.06E	20	160	E	328143R
M328.0020.D.07E	20	180	E	328143R

Ds见刀片
Ds see inserts

配件
Spare Parts

铣刀杆 Milling shank	锁紧螺钉 Clamping Screw	TORX PLUS®扳手 TORX PLUS® Wrench
M328.0020.10A	5.14T20P	T20PQ
M328.0020.D....	5.17T20P	T20PQ





图示=右手型
Picture = right hand cutting version

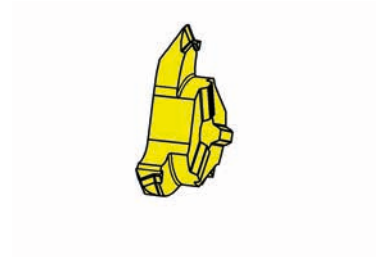
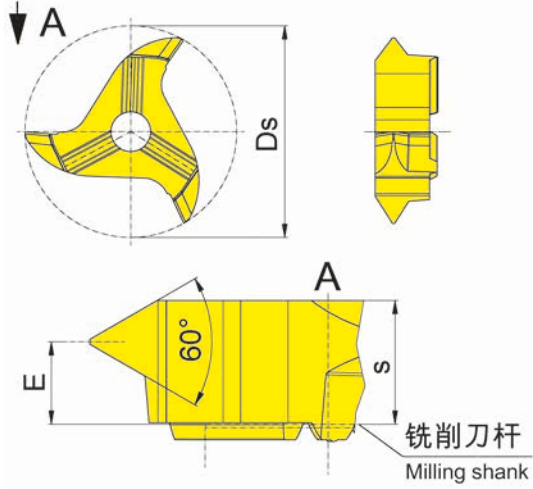
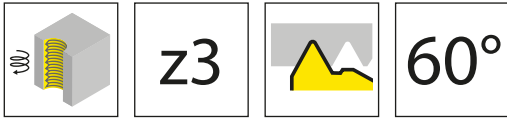
产品型号 Part number	d	l ₁	l ₂	d ₁	形式 Form	HWS
SM328.0020.05B	20	130	25	15	B	328143R
SM328.0020.06B	20	145	-	20	B	328143R
SM328.0020.07B	20	160	25	15	B	328143R
SM328.0020.08B	20	200	-	20	B	328143R
SM328.0020.05E	20	130	25	15	E	328143R
SM328.0020.06E	20	145	-	20	E	328143R
SM328.0020.07E	20	160	25	15	E	328143R
SM328.0020.08E	20	200	-	20	E	328143R

刀杆材质: 钨基合金—良好的抗振性能
Material of shank: tungsten alloy (giving good vibration resistance)

Ds见刀片
Ds see inserts

配件
Spare Parts

铣刀杆 Milling shank	锁紧螺钉 Clamping Screw	TORX PLUS®扳手 TORX PLUS® Wrench
SM328...	5.17T20P	T20PQ



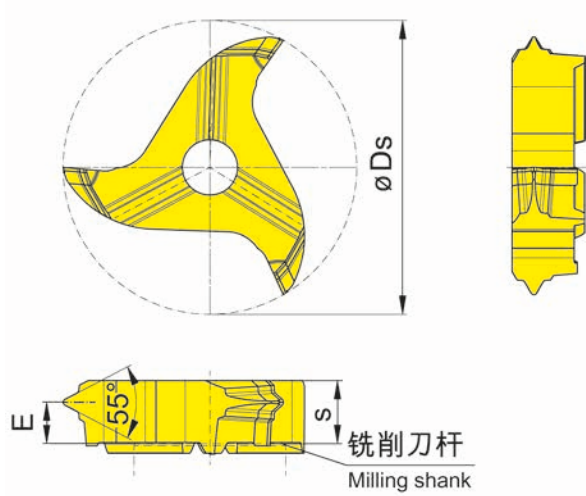
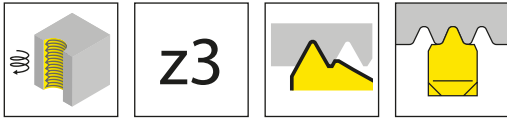
图示=右手型
Picture = right hand cutting version

▲ 库存
on stock

硬质合金牌号
Carbide grades
▲ 4周
4 weeks

产品型号 Part number	P	P _{max}	E	s	Ds	HIS	AS45	TI25	TN35
328.0720.01	1	2	4.6	5.95	27.7	328114R	▲		▲
328.1525.01	1.5	2.5	4.3	5.95	27.7	328114R	▲		▲
328.3050.01	3	5	4.8	7.2	27.7	328114R	▲	▲	▲
328.5060.01	5	6	4.4	7.2	27.7	328114R	▲		▲
	P	●	●	●					
	M	●	●	●					
	K	●	●	●					
	N	○	●	●					
	S	●	●	●					
	H	-	-	-					



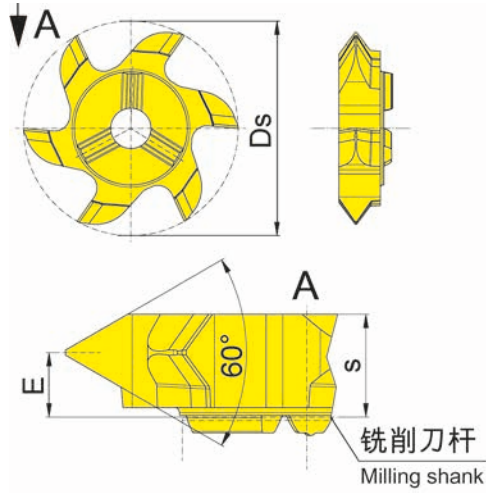
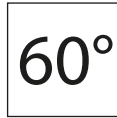
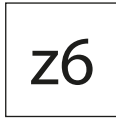
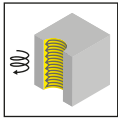


图示=右手型
Picture = right hand cutting version

硬质合金牌号
Carbide grades
▲ 库存
on stock
△ 4周
4 weeks

产品型号 Part number	TPI	E	s	Ds	HIS	AS45
328.5511.02	11	3.9	5.95	27.7	328114R	▲
						P ●
						M ●
						K ●
						N ○
						S ●
						H -

G



图示=右手型
Picture = right hand cutting version

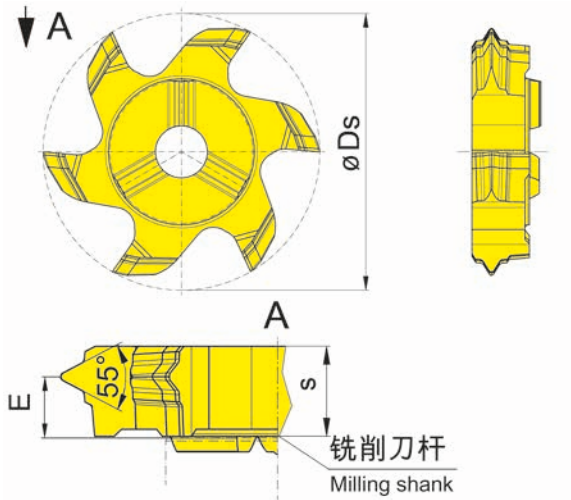
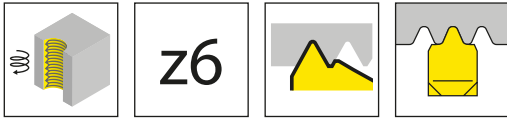
硬质合金牌号
Carbide grades

▲ 库存
on stock

△ 4周
4 weeks

产品型号 Part number	P	P _{max}	E	s	Ds	HIS	AS45	T125
628.1525.01	1.5	2.5	4.8	6	27.7	328114R	▲	▲
628.3050.01	3	5	3.7	5.75	27.7	328114R	▲	▲
628.5060.01	5	6	3.2	5.75	27.7	328114R	▲	▲
							P ● ●	
							M ● ●	
							K ● ●	
							N ○ ●	
							S ● ●	
							H - -	





图示=右手型
Picture = right hand cutting version

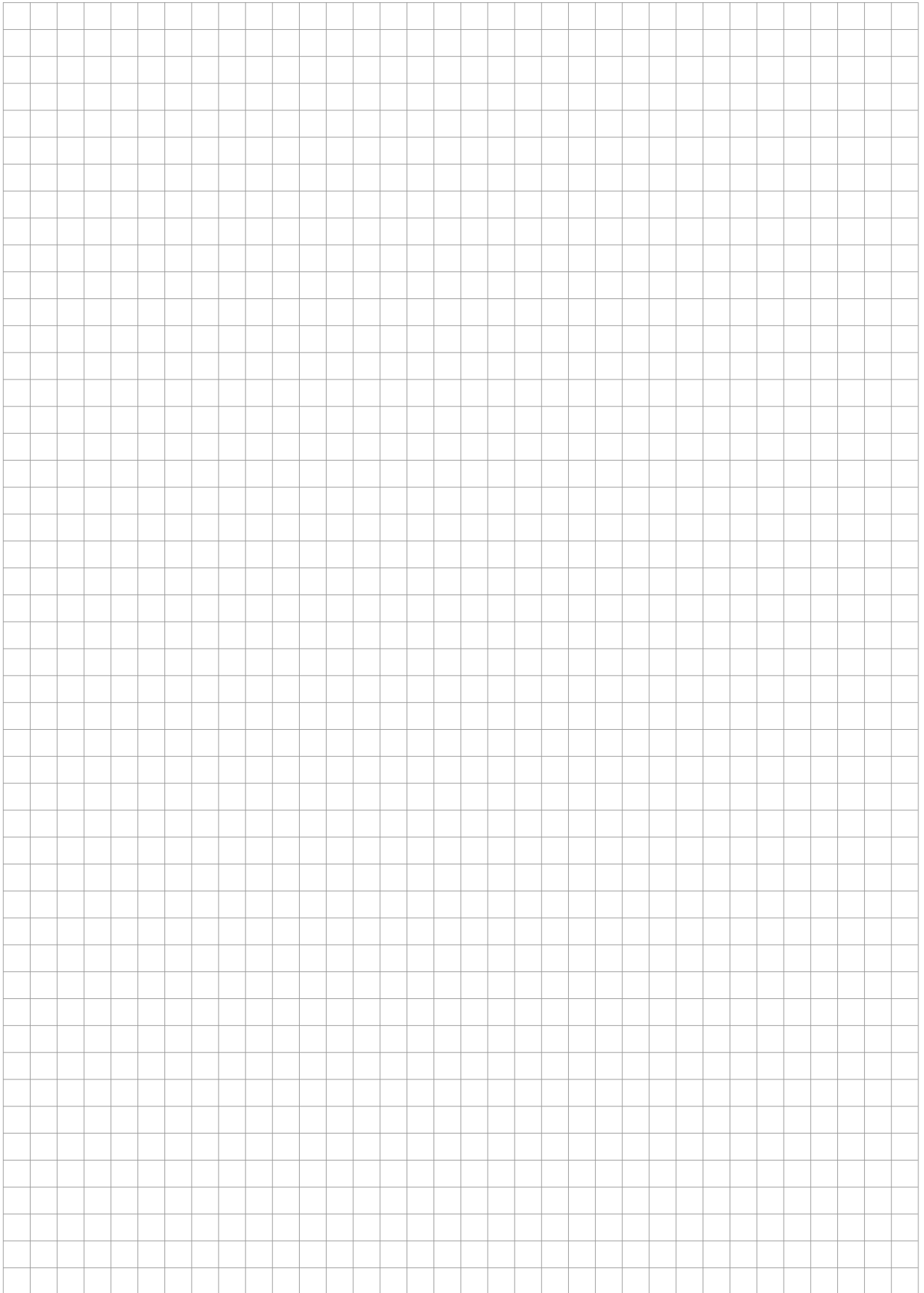
硬质合金牌号
Carbide grades

▲ 库存
on stock

△ 4周
4 weeks

产品型号 Part number	TPI	E	s	Ds	HIS	AS45
628.5511.02	11	3.9	5.85	27.7	328114R	▲
						P ●
						M ●
						K ●
						N ○
						S ●
						H -

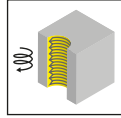
G



概述
Overview

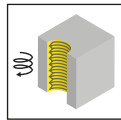
页/Page
338

铣刀杆
Milling shank
M332



页/Page
339

刀片
Insert
632



页/Page
340

注意:

公称直径总是螺纹上最大的直径。通常，这描述以螺纹尺寸为基础。

例如 M12 x 1 -> 公称直径 12

如果工件的公称直径小于推荐值，铣刀的过切会产生轮廓误差。

Attention:

The nominal diameter is always the largest \varnothing on the thread. As a rule, the designation is based on the size of the thread.

Example: M12 x 1 -> nominal diameter 12

Recutting of the milling tool will create profile errors if the nominal diameter of the component will be smaller than recommended.

M332



G

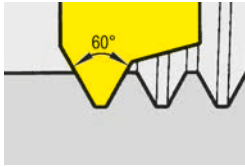
螺纹铣刀(圆弧插补铣削)

切削刃自 $\varnothing 31.7$ mm

Thread Milling Cutter
(by circular interpolation)

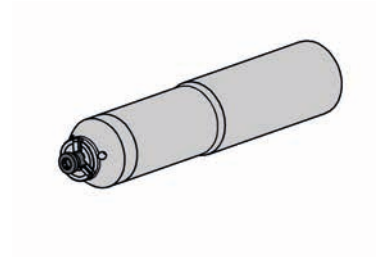
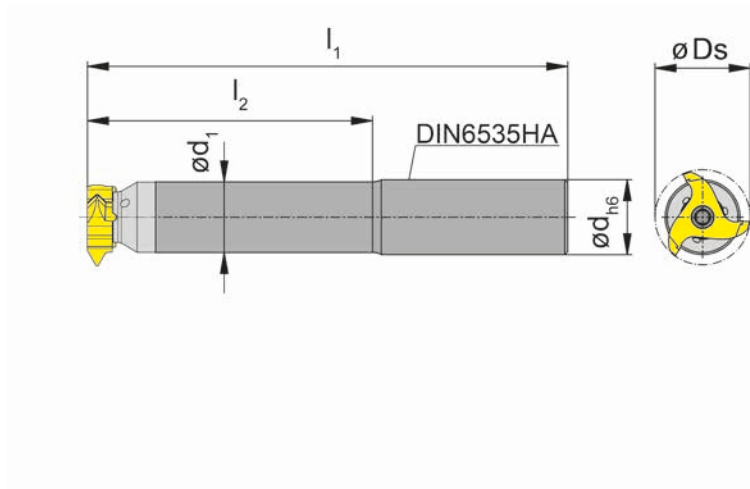
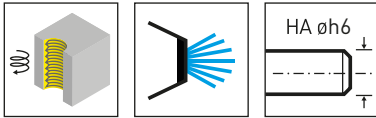
from cutting edge $\varnothing 31,7$ mm

非全牙型, 米制 型号 632
Partial profile, metric type 632



螺距 / Pitch P	2,5	3,0	3,5	4,0	4,5	5,0	5,5	6,0
公称直径 / Nominal diameter								
型号 / type 632 / Ds 31,7								
632.2545.01	≥ 42	≥ 42	≥ 46	≥ 42	≥ 42			
632.4060.01				≥ 46	≥ 46	≥ 46	≥ 46	≥ 46





图示=右手型
Picture = right hand cutting version

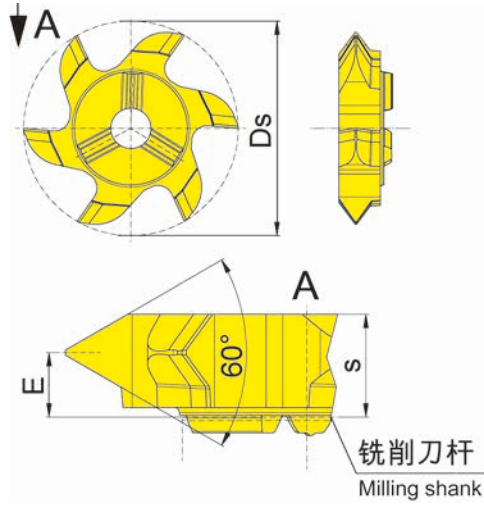
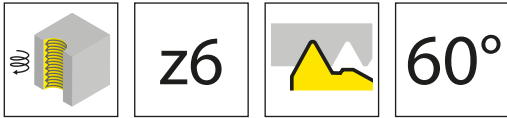
产品型号 Part number	d	l ₁	l ₂	d ₁	形式 Form	HWS
M332.2325.06A	25	160	95	23.5	A	332143R
M332.2325.07A	25	180	115	23.5	A	332143R
M332.2325.08A	25	200	135	23.5	A	332143R
M332.2325.09A	25	250	185	23.5	A	332143R

Ds见刀片
Ds see inserts

配件
Spare Parts

铣刀杆 Milling shank	锁紧螺钉 Clamping Screw	TORX PLUS®扳手 TORX PLUS® Wrench
M332...	5.17T20P	T20PQ





图示=右手型
Picture = right hand cutting version

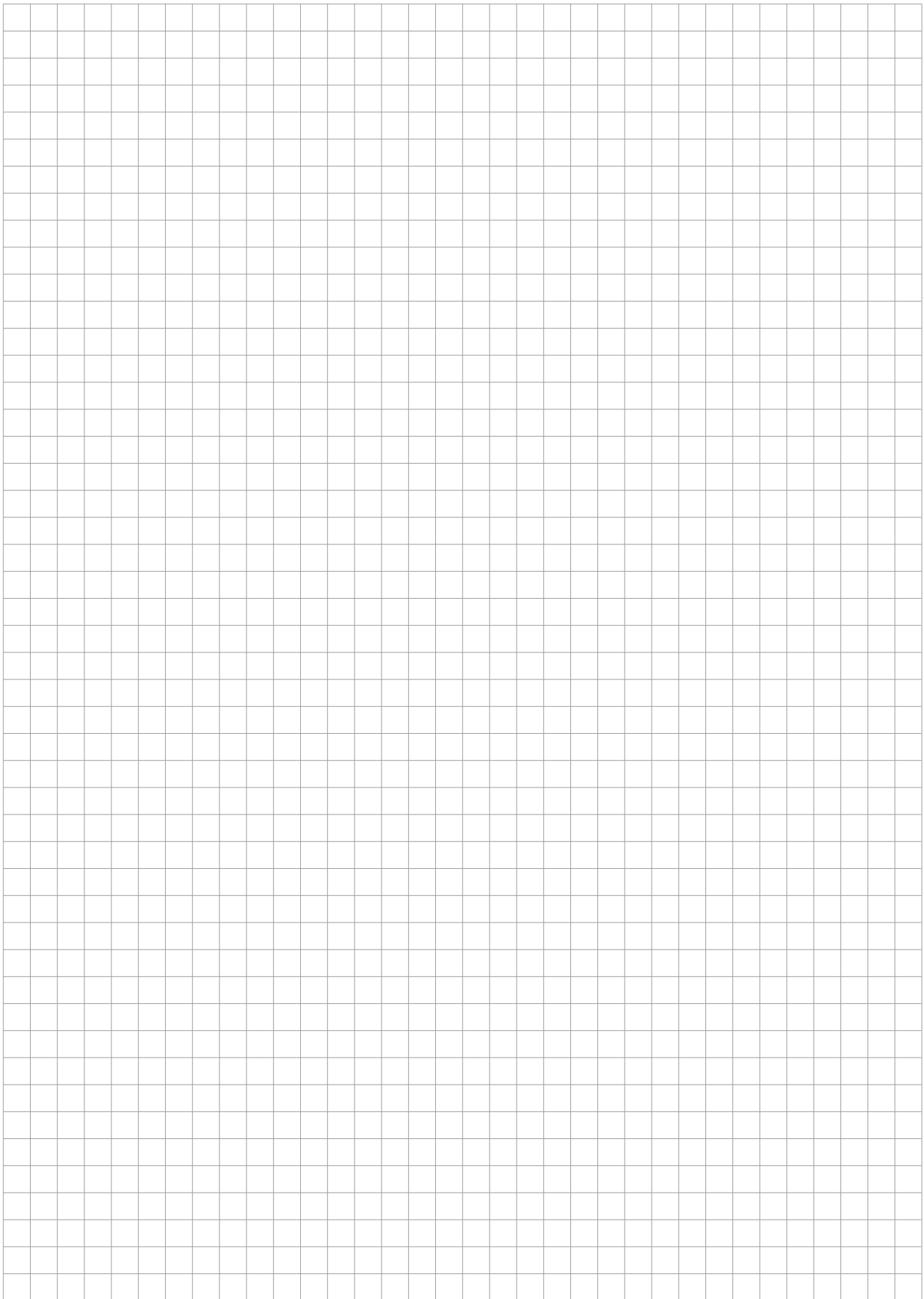
硬质合金牌号
Carbide grades

▲ 库存
on stock

△ 4周
4 weeks

产品型号 Part number	P	P _{max}	E	s	Ds	HIS	AS45	T125
632.2545.01	2.5	4.5	3.7	5.8	31.7	332143R	▲	▲
632.4060.01	4	6	3.2	5.8	31.7	332143R	▲	▲
							P ● ●	● ●
							M ● ●	● ●
							K ● ●	● ●
							N ○ ●	● ●
							S ● ●	● ●
							H - -	- -

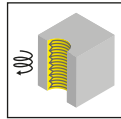
G



概述
Overview

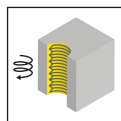
页/Page
344

杆式铣刀
End Mill
M275



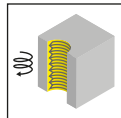
页/Page
345

铣刀
Milling cutter
M275



页/Page
346

可转位刀片
Indexable insert
RS275



页/Page
347

注意:

公称直径总是螺纹上最大的直径。通常，这描述以螺纹尺寸为基础。

例如 M12 x 1 -> 公称直径 12

如果工件的公称直径小于推荐值，铣刀的过切会产生轮廓误差。

Attention:

The nominal diameter is always the largest \emptyset on the thread. As a rule, the designation is based on the size of the thread.

Example: M12 x 1 -> nominal diameter 12

Recutting of the milling tool will create profile errors if the nominal diameter of the component will be smaller than recommended.

M275



G

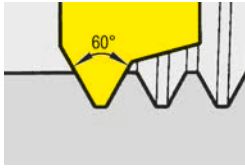
螺纹铣刀(圆弧插补铣削)

切削刃自 $\varnothing 31$ mm

Thread Milling Cutter
(by circular interpolation)

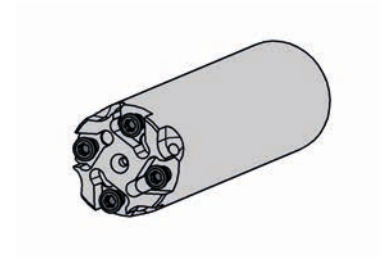
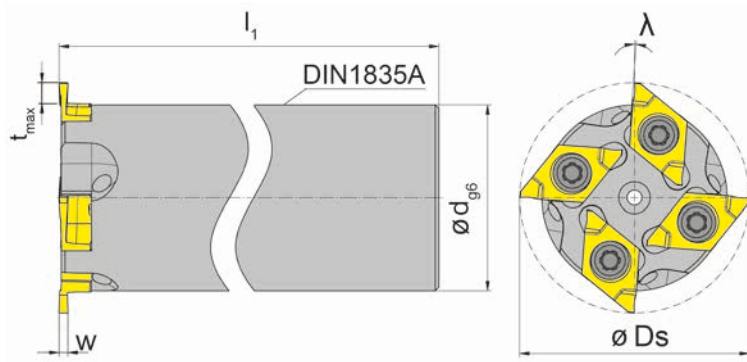
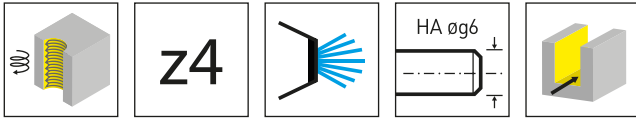
from cutting edge $\varnothing 31$ mm

非全牙型, 米制 型号 S275
Partial profile, metric type S275



螺距 / Pitch P	1,5	2,0	2,5	3,0	3,5
公称直径 / Nominal diameter					
型号 / type S275 / Ds 31					
RS275.1535.01	≥ 45				
型号 / type S275 / Ds 38					
RS275.1535.01	≥ 54				
型号 / type S275 / Ds 48					
RS275.1535.01	≥ 70				
型号 / type S275 / Ds 58					
RS275.1535.01	≥ 83				





图示=右手型
Picture = right hand cutting version

产品型号 Part number	Ds	d	l ₁	λ	HWS
M275.031.D25.3.04A	31	25	125	4°	275041R

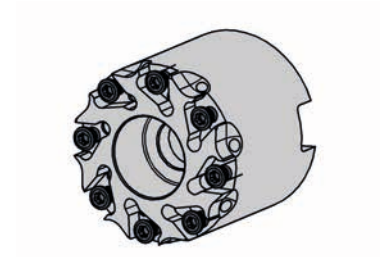
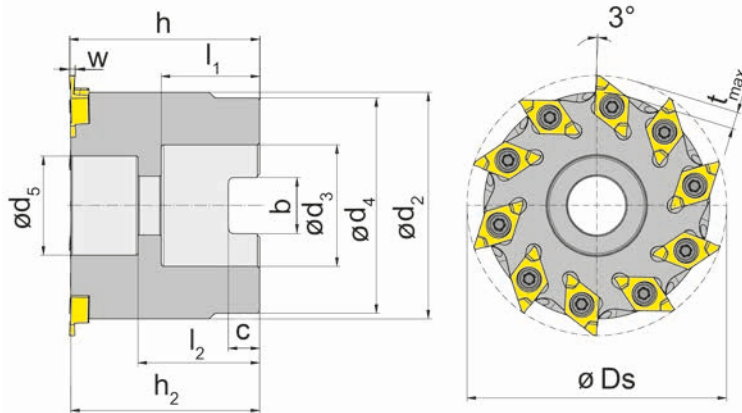
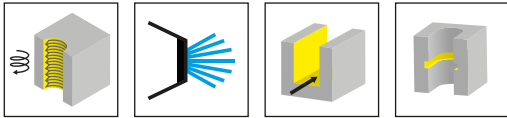
配件
Spare Parts

杆式铣刀 End Mill	锁紧螺钉 Clamping Screw	TORX PLUS®扳手 TORX PLUS® Wrench
M275.031.D25.3.04A	3.5.10T10P	T10PL



铣刀 Milling cutter

M275



图示=右手型
Picture = right hand cutting version

产品型号 Part number	Z	Ds	h ₂	h	d ₅	d ₄	d ₃	l ₁	l ₂	b	C	d ₂	HWS
M275.0038.A16.05	5	38	32.7	33	13.5	32	16	18	22.7	8.4	5.6	32	275041R
M275.0048.A22.08	8	48	36.7	37	18.5	40.5	22	20	24.7	10.4	6.3	40.5	275041R
M275.0058.A27.10	10	58	42.2	42.5	22	48	27	22	27.2	12.4	7	50	275041R
M275.0078.A32.14	14	78	49.7	50	33	58	32	25	36.7	14.4	8	70.5	275041R

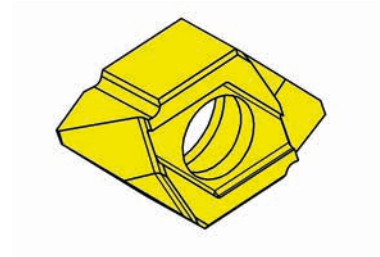
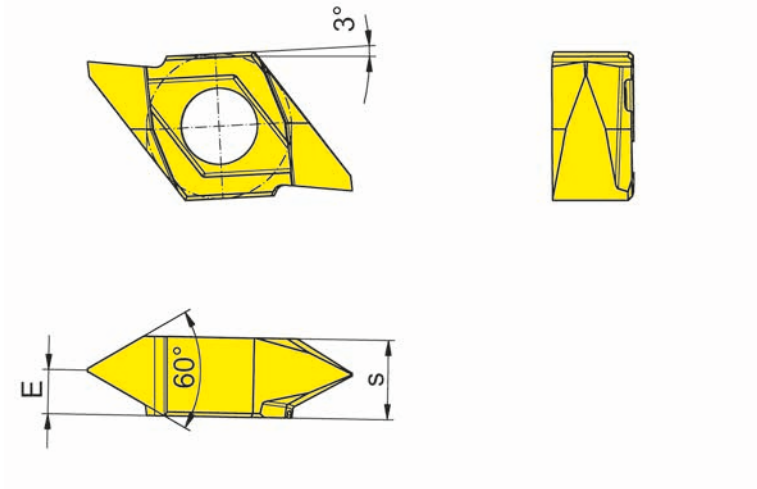
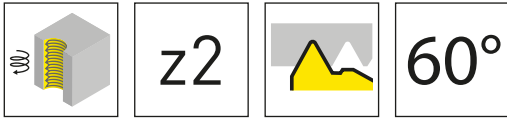
配件 Spare Parts

铣刀 Milling cutter	锁紧螺钉 Clamping Screw	TORX PLUS®扳手 TORX PLUS® Wrench
M275...	3.5.10T10P	T10PL

可转位刀片

Indexable insert

RS275



R=右手型-如图
R = right hand version shown

硬质合金牌号
Carbide grades

▲ 库存
on stock

△ 4周
4 weeks

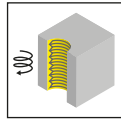
产品型号 Part number	P	P _{max}	E	s	HIS	TA45
RS275.1535.01	1.5	3.5	2.3	4.1	275041R	▲
	P ●	M ●	K ●	N ●	S ●	H -



概述
Overview

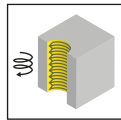
页/Page
350

杆式铣刀
End Mill
380



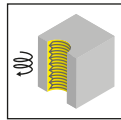
页/Page
351

铣刀
Milling cutter
380



页/Page
352

可转位刀片
Indexable insert
314



页/Page
353

注意:

公称直径总是螺纹上最大的直径。通常，这描述以螺纹尺寸为基础。

例如 M12 x 1 -> 公称直径 12

如果工件的公称直径小于推荐值，铣刀的过切会产生轮廓误差。

Attention:

The nominal diameter is always the largest \emptyset on the thread. As a rule, the designation is based on the size of the thread.

Example: M12 x 1 -> nominal diameter 12

Recutting of the milling tool will create profile errors if the nominal diameter of the component will be smaller than recommended.

380



G

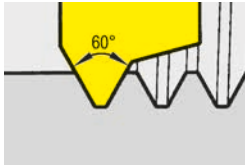
螺纹铣刀(圆弧插补铣削)

切削刃自 \varnothing 44 mm

Thread Milling Cutter
(by circular interpolation)

from cutting edge \varnothing 44 mm

非全牙型, 米制 型号 314
Partial profile, metric type 314

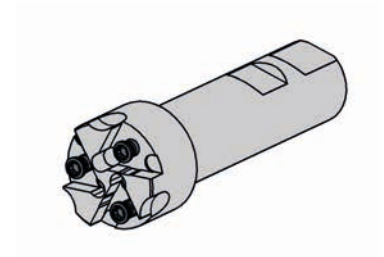
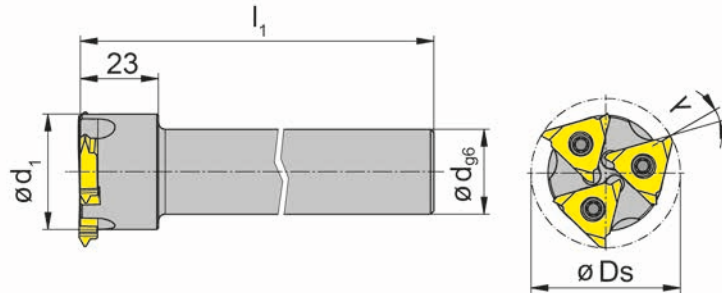
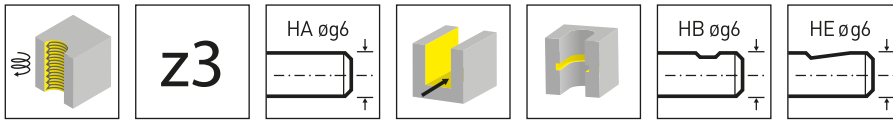


螺距 / Pitch P	1,5	2,0	2,5	3,0	4,0	5,0	5,5	6,0
公称直径 / Nominal diameter								
型号 / type 314 / Ds 44								
R314.1535.01	≥ 52	≥ 50	≥ 50	≥ 50				
R314.2140.01					≥ 72			
R314.3260.01								≥ 85
R314.4060.01					≥ 65		≥ 56	≥ 64
型号 / type 314 / Ds 63								
R314.1535.01	≥ 72	≥ 70	≥ 70	≥ 70				
R314.2140.01					≥ 95			
R314.3260.01								≥ 110
R314.4060.01					≥ 88			≥ 80



杆式铣刀 End Mill

380



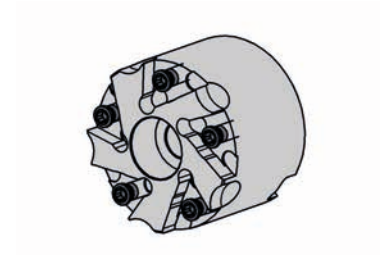
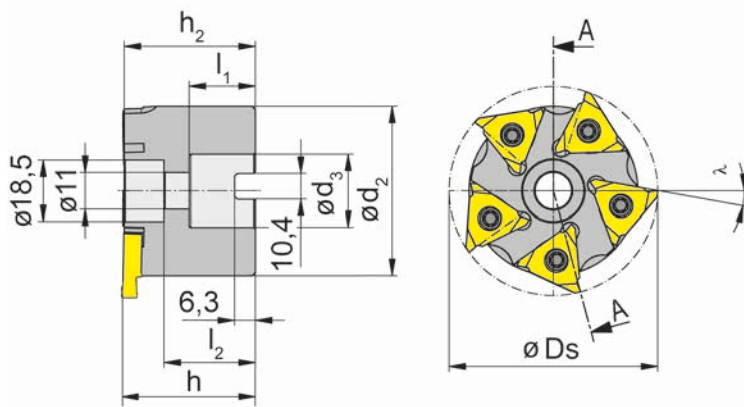
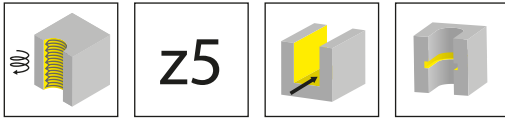
图示=右手型
Picture = right hand cutting version

产品型号 Part number	Ds	d	l ₁	d ₁	λ	形式 Form	HWS
380.0044.03A	44	25	125	34	14°	A	314027R • 314041R • 314052R
380.0044.03B	44	25	125	34	14°	B	314027R • 314041R • 314052R
380.0044.03E	44	25	125	34	14°	E	314027R • 314041R • 314052R

配件 Spare Parts

杆式铣刀 End Mill	锁紧螺钉 Clamping Screw	TORX PLUS®扳手 TORX PLUS® Wrench
380...	5.12T20P	T20PQ





图示=右手型
Picture = right hand cutting version

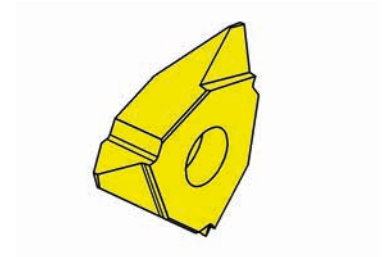
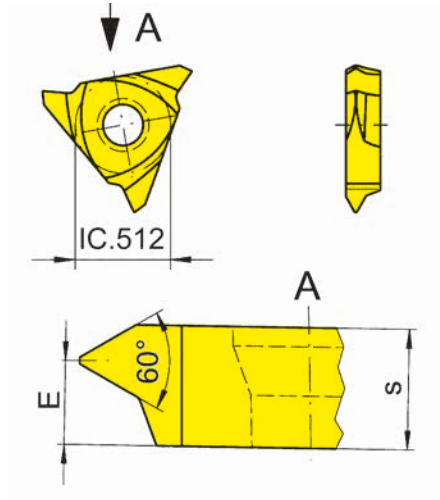
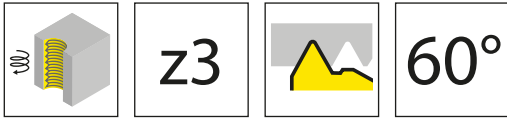
产品型号 Part number	Ds	h ₂	h	d ₃	l ₁	l ₂	λ	d ₂	HWS
380.0063.05	63	39.6	40	22	20	27.6	10°	51	314027R • 314041R • 314052R

中心孔和键槽均依据DIN138标准
Cutterhole and cross keyway as per DIN 138

G

配件
Spare Parts

铣刀 Milling cutter	锁紧螺钉 Clamping Screw	TORX PLUS®扳手 TORX PLUS® Wrench
380.0063.05	5.12T20P	T20PQ



图示=右手型
Picture = right hand cutting version

硬质合金牌号
Carbide grades

▲ 库存
on stock

△ 4周
4 weeks

产品型号 Part number	P	P _{max}	E	s	Ds	HIS	TN35
R314.1535.01	1.5	3.5	3.3	5.45	44	314052R	▲
R314.2140.01	4	4	3	5.45	44	314052R	▲
R314.4060.01	4	6	2.7	5.45	44	314052R	▲
R314.3260.01	6	6	2.7	5.45	63	314052R	▲

注意事项:

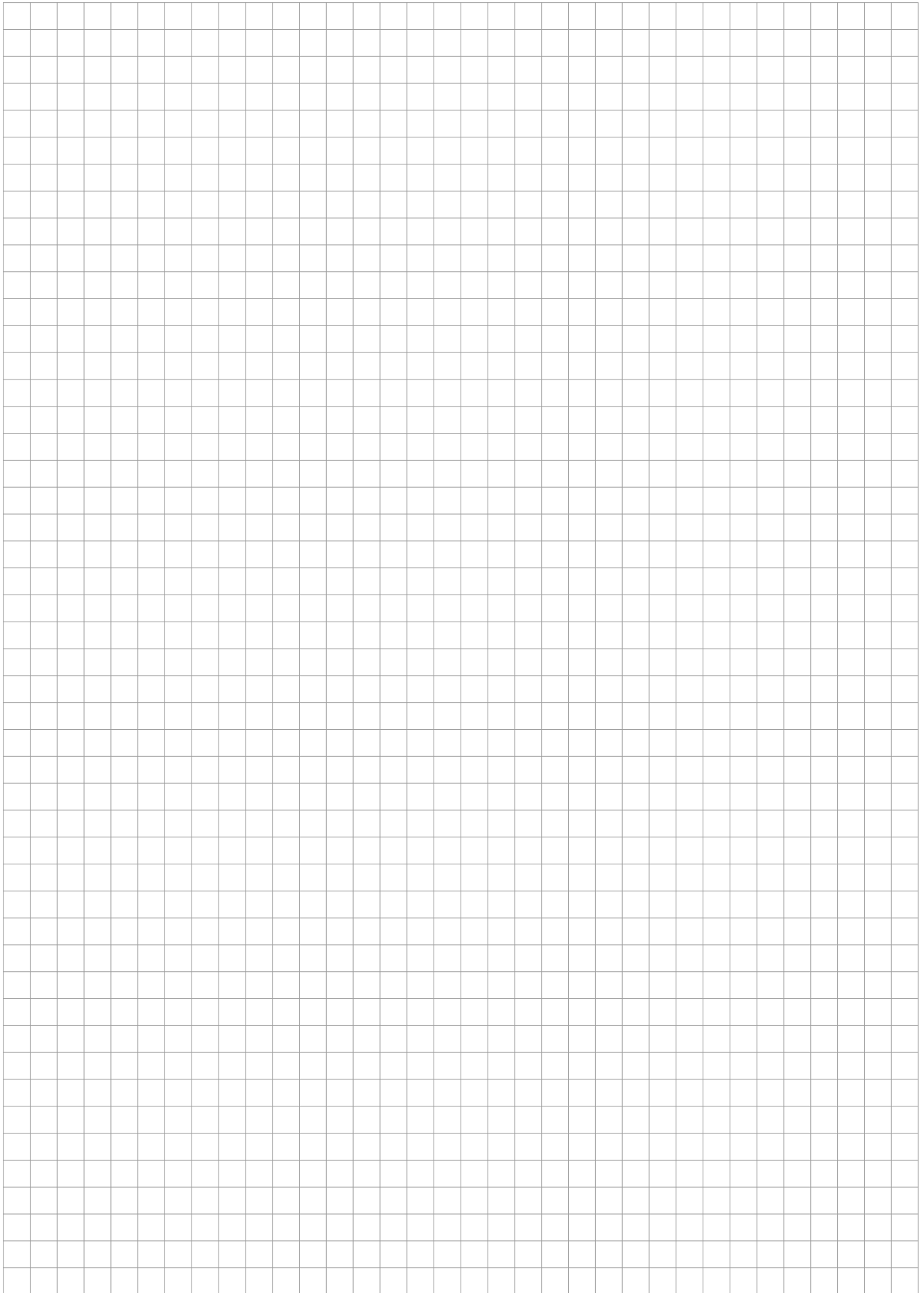
R314.3260.01仅适用于380.0063.05铣刀

Note:

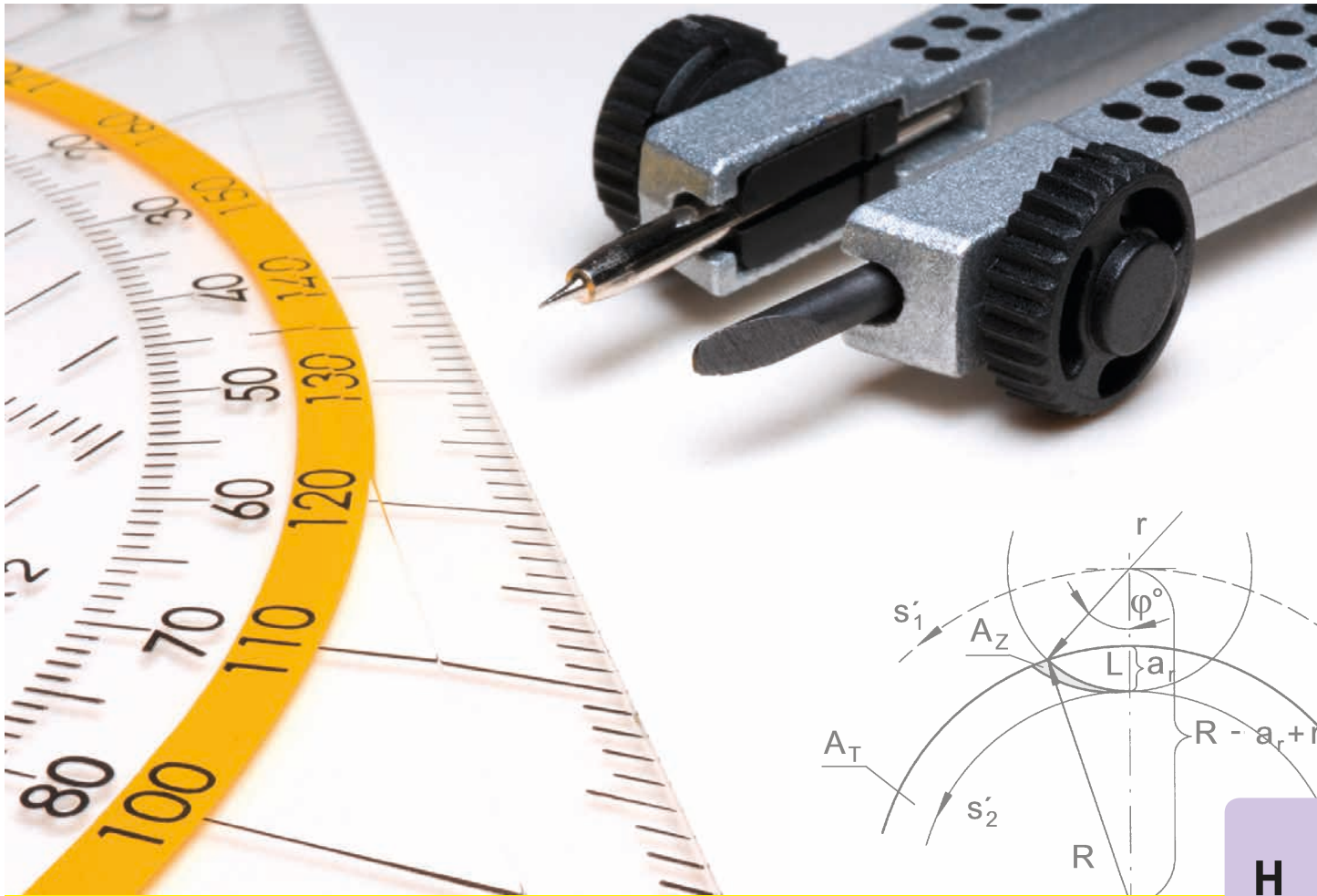
R314.3260.01 only for milling cutter 380.0063.05

P	●
M	●
K	●
N	●
S	●
H	-





G



概要/Summary

页/Page

进给量的计算
Calculating the Feed Rate

356

符号
Symbols

357

计算公式
Formulas

358 - 359

切削参数
Cutting Data

360 - 365

H

切屑中间厚度 h_m 计算进给量

Medium chip thickness h_m for calculating the feed rate

ISO	108,111,116, 306-336, 606-636,911-939	S310 / 314 / S275 / S475	S101
	h_m (mm)	h_m (mm)	h_m (mm)
P	0,01 - 0,05	0,01 - 0,05	0,01 - 0,04
M	0,01 - 0,04	0,01 - 0,04	0,01 - 0,03
K	0,01 - 0,05	0,01 - 0,05	0,01 - 0,03
N	0,01 - 0,05	0,01 - 0,05	0,01 - 0,06
S	0,01 - 0,04	0,01 - 0,04	0,01 - 0,02

H

$$f_z = (h_m \times \pi \times d_e \times \phi_s) / (360^\circ \times a_e) \text{ [简化 } f_z = h_m \times \sqrt{d_e/a_e} \text{ 以及 } a_e/d_e < 0,3]$$

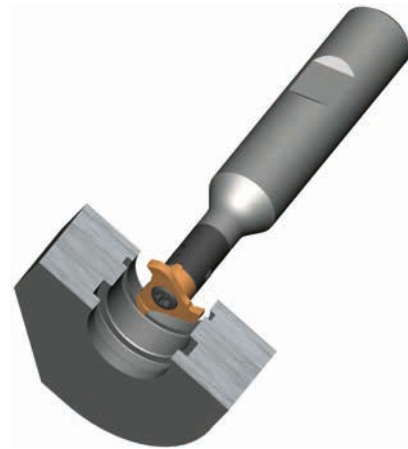
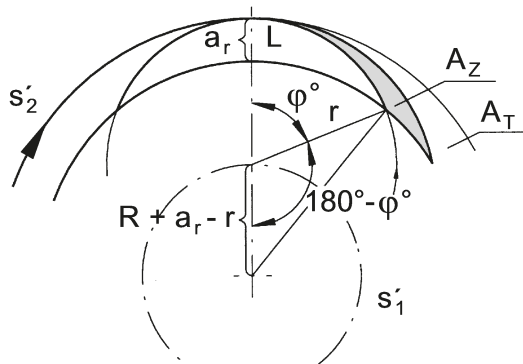
$$f_z = (h_m \times \pi \times d_e \times \phi_s) / (360^\circ \times a_e) \text{ [simplified } f_z = h_m \times \sqrt{d_e/a_e} \text{ with } a_e/d_e < 0,3]$$

ISO

a_r	a_e	径向切削深度 radial depth of cut	
d	d_e	切削刃Ø [mm] Cutting edge Ø [mm]	
f		每转进给量 Feed per revolutions	$f = f_z \cdot Z$ [mm/U] [mm/rev]
f_z	s_z	进给/齿 Feed/tooth	$f_z = \frac{v_f}{Z \cdot n}$ [mm]
h_m		平均厚度 medium thickness of chip	
n		转速 Revolutions	$n = \frac{v_c \cdot 1000}{d \cdot \pi}$ [1/min]
r		刀具半径 Radius of cutter	
R		工件半径 Radius of workpiece	
v_c		切削速度 Cutting speed	$v_c = \frac{d \cdot \pi \cdot n}{1000}$ [m/min]
v_f	s'	进给率 Feed rate	$v_f = f_z \cdot Z \cdot n$ [mm/min]
v_{f2}	s'_2	刀尖进给 Feed rate of tool tip	
v_{f3}	s'_1	刀具中心的进给 Feed rate of tool centre	
Z		齿数 Number of teeth	
ϕ_s		加工切入角度 Angle of action	

内槽铣削

?



$$\cos [180^\circ - \varphi^\circ] = \frac{r^2 + [R + a_r - r]^2 - R^2}{2r [R + a_r - r]} \longrightarrow 180^\circ - \varphi^\circ \longrightarrow \varphi^\circ$$

切削长度
Length of cut

$$L = \frac{\pi \cdot 2r \cdot \varphi^\circ}{360^\circ} \text{ mm}$$

切屑面积
Area of chip

$$A_z = L \cdot h_m \text{ mm}^2$$

槽截面的面积
Area of groove section

$$A_T = \pi [(R + a_r)^2 - R^2] \text{ mm}^2$$

加工时间 (用于AT)
Time for cut (for AT)

$$t = \frac{A_T}{n \cdot z \cdot A_z} \text{ min}$$

刀具中心的进给
Feed rate of tool centre

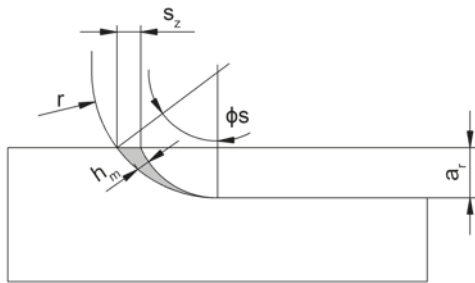
$$s'_1 = \frac{\pi \cdot 2 (R - r + a_r)}{t} \text{ mm/min}$$

刀尖进给
Feed rate of tool tip

$$s'_2 = s'_1 \frac{R + a_r}{R - r + a_r} \text{ mm/min}$$

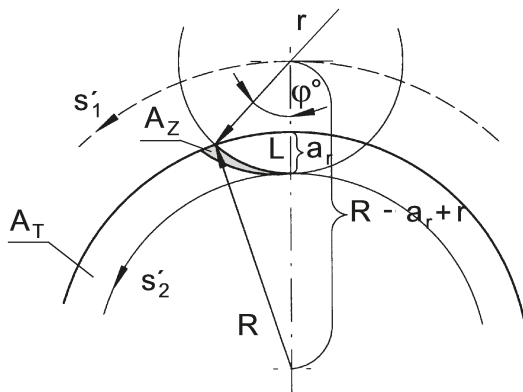
直槽铣削-外部

Milling of a linear groove - external



$$s_z = h_m \sqrt{\frac{2r}{a_r}}$$

$$s = n \cdot z \cdot s_z \text{ mm/min}$$



$$\cos \varphi^{\circ} = \frac{r^2 + [R + r - a_r]^2 - R^2}{2r [R + r - a_r]} \rightarrow \varphi^{\circ}$$

切削长度
Length of cut

$$L = \frac{\pi \cdot 2r \cdot \varphi^{\circ}}{360^{\circ}} \text{ mm}$$

切屑面积
Area of chip

$$A_z = L \cdot h_m \text{ mm}^2$$

槽截面的面积
Area of groove section

$$A_T = \pi [R^2 - (R - a_r)^2] \text{ mm}^2$$

加工时间 (用于AT)
Time for cut (for AT)

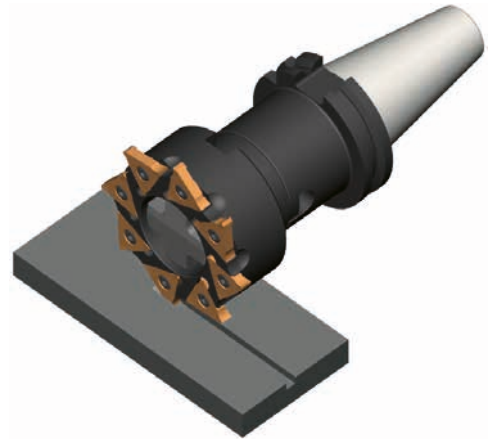
$$t = \frac{A_T}{n \cdot z \cdot A_z} \text{ min}$$

刀具中心的进给
Feed rate of tool centre

$$s'_1 = \frac{\pi \cdot 2 (R + r - a_r)}{t} \text{ mm/min}$$

刀尖进给
Feed rate of tool tip

$$s'_2 = s'_1 \frac{R - a_r}{R + r - a_r} \text{ mm/min}$$



切削参数 槽铣削和圆弧铣削

Cutting Data Groove and Circular Milling



材料 Material		材料组 Material group	硬度 (HB) Hardness Brinell	抗拉强度 R _m [N/mm ²] Tensile Strength	材料示例 Example Material	MG12	Tl2_ TN3_	
P 碳钢 Carbon steel	~ 0,2 % C	P1.1	125	430	CK15		300-160	
	~ 0,4% C 退火 annealed	P1.2	190	610	19Mn6		250-170	
	~ 0,4% C 调质 quenched	P1.3	210	640	36Mn5		230-170	
	~ 0,6% C 退火 annealed	P1.4	190	610	C55		190-120	
	~ 0,6% C 调质 quenched	P1.5	300	1000	CK60		170-120	
	易切钢 Free cutting steel	P1.6	220	750	9SMn28		190-120	
	合金钢 (<5%) Alloyed steel	退火 annealed	P2.1	180	590	100Cr6		180-110
		调质 quenched	P2.2	280	960	14NiCr10		160-100
		调质 quenched	P2.3	350	1250	34CrMo4		130-70
		调质 quenched	P2.4	430	1450	55Cr3		120-70
	高合金钢 (>5%) high alloyed steel	退火 annealed	P3.1	200	680	X10CrAl18		140-80
		硬化 hardened	P3.2	350	1200	X210Cr2		
	铸钢 Cast steel	非合金 unalloyed	P4.1	180	590	GE200		220-160
		合金 alloyed	P4.2	220	750	GX40CrSi28		140-80
	粉末冶金钢 Sintered steel	软质 soft	P5.1	220	570	Sint-D39		140-80
	M 不锈钢 Stainless steel	马氏体, 铁素体 martensitic ferritic	M1.1	200	680	X16Cr13		
奥氏体 austenitic		M1.2	300	1000	X6CrNiMo-Ti17-12-2			
奥氏体, 铁素体 austenitic ferritic		M1.3	230	780	X2CrNiMo-N17-13-3			
H 淬硬钢 Hardened steels	50-55 HRC	H1.1	-	-				
	55-60 HRC	H1.2	-	-				
	60-63 HRC	H1.3	-	-				
	> 63HRC	H1.4	-	-				

材料 Material		材料组 Material group	硬度 (HB) Hardness Brinell	抗拉强度 R_m [N/mm ²] Tensile Strength	材料示例 Example Material	MG12	T12_ TN3_
K	灰铸铁 Grey cast iron	低拉伸强度 low tensile strength	K1.1	180	250	GG-25	150-90
		高拉伸强度 high tensile strength	K1.2	250	350	GG-40	100-70
	球磨铸铁 Spheroidal graphite cast iron	铁素体 ferritic	K2.1	160	400	GGG-40	130-90
		珠光体 perlitic	K2.1	260	700	GGG-60	100-50
	可锻铸铁 Malleable cast iron	铁素体 ferritic	K3.1	200	400	GTW-45	120-60
		珠光体 perlitic	K3.2	260	700	GTS-55-04	140-80
	奥氏体球墨铸 铁 / ADI Ausferritic spheroidal cast iron / ADI	调质 quenched	K4.1	260	800		
		调质 quenched	K4.2	350	1050		
		调质 quenched	K4.3	450	1400		
N	铝合金 Al-alloys	非热处理 not heat treatable	N1.1	30		AlMg1	550-300
		热处理 heat treatable	N1.2	100	340	AlMgSi1	220-180
	铸铝合金 Al-cast-alloy	< 6% Si	N2.1	80	300	AlMgSi6	220-180
		6-10% Si	N2.2	100	320	AlSi7Mg	100-80
		10-15 % Si	N2.3	130	450	AlSi12	120-100
	铜合金 Copper-alloys	纯铜 Pure copper	N3.1	100	340	Cu	120-100
		黄铜, 青铜 Brass	N3.2	90	310	CuZn40Pb	
		无铅黄铜 Lead-free brass	N3.3	110	430	CuZn40	
		高强度 high strength	N3.4	300	1000	CuZn25Al5- Mn4Fe3	
	石墨 Graphite		N4.1				
S	耐热合金(铁基) Heat resistant alloy	退火 annealed	S1.1	200	670		
		硬化 hardened	S1.2	275	930		
	耐热合金 (镍基, 钴基) Heat resistant alloy	退火 annealed	S2.1	250	840	Inconel 600	
		硬化 hardened	S2.2	350	1200	Inconel 713	

切削参数 槽铣削和圆弧铣削

Cutting Data Groove and Circular Milling



材料 Material		材料组 Material group	硬度 (HB) Hardness Brinell	抗拉强度 R_m [N/mm ²] Tensile Strength	材料示例 Example Material	MG12	T12_ TN3_
S 钛 Titan	钛合金 α Titanium alloy α	S3.1	120	240			
	钛合金 α - β Titanium alloy α - β	S3.2	360	1200			
	钛合金 β Titanium alloy β	S3.3	410	1400			
O 热塑性塑料 Thermoplastics		O1.1				150 - 50	
	Duro塑料 Duro plaste	O1.2				150 - 50	
	玻璃纤维增强塑料 Plastics glass fibre reinforced	GFK O1.3				150 - 50	
	碳纤维增强塑料 Plastics carbon fibre reinforced	CKF O1.4				300 - 150	

H

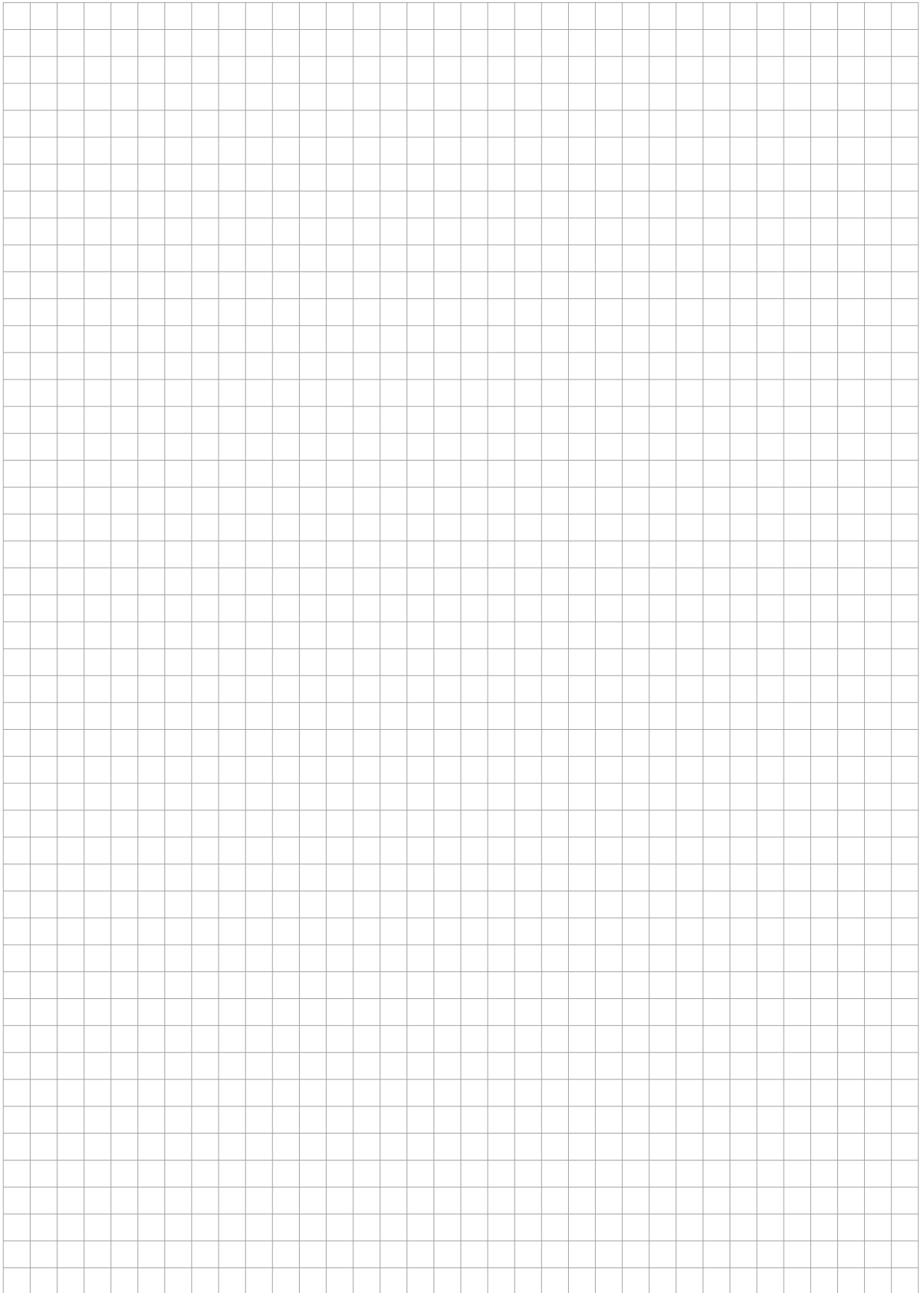
切削参数 槽铣削和圆弧铣削

Cutting Data Groove and Circular Milling



切削速度 vc (m/min) / 起始值 Cutting speed vc (m/min) / Start values									
AS4_ TH3_ TA4_ TF4_	AN2_ AN4_ RC2_ RC4_	EG5_	IG3_	SG3_	DD2_				
				100-70					
				80-50					
				70-40					





H



系列System

页/Page

齿轮铣 / Gear Milling

371

插齿 / Gear Broaching

383

刮齿 / Gear Skiving

387

齿轮倒角 / Deburring

393

齿轮成形 / Gear Shaping

395

单点齿轮铣 / Single-Point Gear Milling

397

伞齿铣 / Bevel Gear Milling

399

5轴铣齿 / 5-Axis Milling of Gear Teeth

403

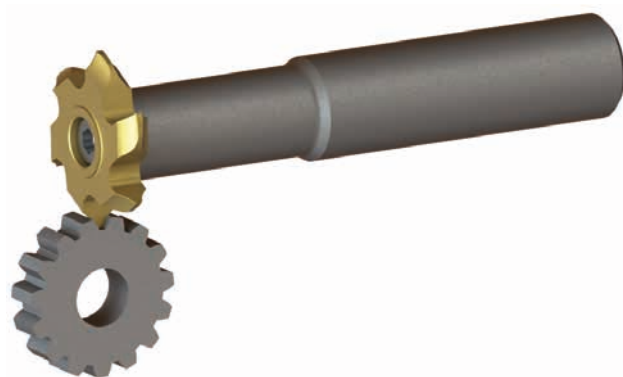
技术 Technology	小批量 Small series	中等批量 Medium batch sizes	大批量 Large series
齿轮铣(外齿) Gear milling (external) 	+++	++	-
插齿(外齿和内齿) Gear broching (external and internal) 	+++	++	+
刮齿(外齿和内齿) Gear skiving (external and internal) 	-	+	+++
齿轮成形(外齿) Gear shaping (external and internal) 	-	+	+++

技术 Technology	小批量 Small series	中等批量 Medium batch sizes	大批量 Large series
单点齿轮铣 (外齿) Single-point gear milling (external) 	-	+++	+
伞齿铣 (外齿) Bevel gear milling (external) 	+	+	+++
5轴铣齿 (外齿) 5-Axis milling of gears (external) 	+++	-	-
齿轮倒角 Deburring of gears 	+++	+++	+++



用于正齿轮和齿轮轴的铣削刀片

Milling inserts for spur gears and gear shafts



圆柱齿轮/齿条 基本外形 1, 符合 DIN3972 Cylindrical gears. Tooth bars Basic profile 1 according to DIN 3972	齿轮轴/轴轮毂/锯齿 DIN 5480/ANSI B92.1 Gear shafts. Shaft-hub. Serration DIN 5480/ANSI B92.1	刀片 型号 Insert Typ type	Ds [mm]
$mn \leq 0.8$	$mn \leq 1 / dB \geq 40$	606	11.7
$mn \leq 1$	$mn \leq 1.5 / dB \geq 40$	608	15.7
$mn \leq 1.25$	$mn \leq 2 / dB \geq 40$	611	17.7
$mn \leq 1.5$	$mn \leq 3 / dB \geq 22$	613	21.7
$mn \leq 2$	$mn \leq 2.5 / dB \geq 40$	628	27.7
$mn \leq 2.5 / \text{Nr. } 5 - 8$	$mn \leq 2.5 / dB \geq 30$	632	31.7
$mn \leq 2.25 / \text{Nr. } 2 - 8$	$mn \leq 2.5 / dB \geq 30$	632	31.7
$mn \leq 2 \text{ Nr. } 1 - 8$	$mn \leq 2.5 / dB \geq 30$	632	31.7
$mn \leq 3$	$mn \leq 3 / dB \geq 50$	635	34.7
$mn \leq 1.5$	$mn \leq 2 / dB \geq 60$	636	35.7



齿轮铣

模数从 0,5 至 4 mm

GEAR MILLING

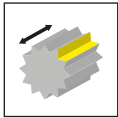
Module sizes from 0.5 up to 4 mm

铣刀N° Milling cutter N°	*z (N°圆柱齿轮齿数) *z (N° of teeth cylindrical gear)
1	12 - 13
2	14 - 16
3	17 - 20
4	21 - 25
5	26 - 34
6	35 - 54
7	55 - 134
8	≥ 135...齿条/Tooth bar

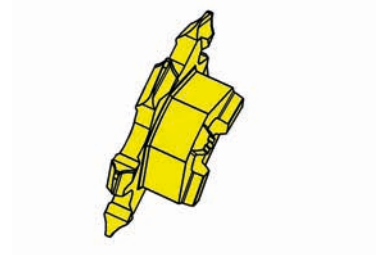
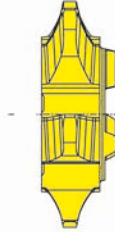
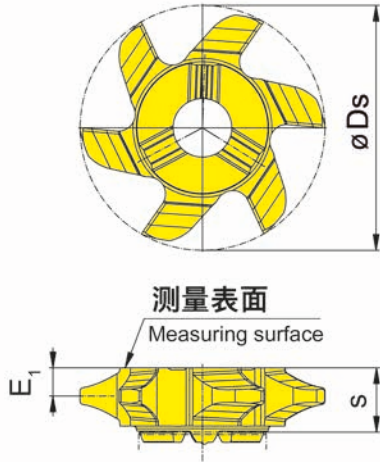


613.3972.100.8





z6



硬质合金牌号
Carbide grades

▲ 库存
on stock

△ 4周
4 weeks

产品型号 Part number	模数 Module	z_{min}	z_{max}	E_1	s	t_{max}	D_s	HIS	AS45
613.3972.050.1	0.5	12	13	1.1	5.7	1.1	21.7	313113R	▲
613.3972.050.2	0.5	14	16	1.1	5.7	1.1	21.7	313113R	▲
613.3972.050.3	0.5	17	20	1.1	5.7	1.1	21.7	313113R	▲
613.3972.050.4	0.5	21	25	1.1	5.7	1.1	21.7	313113R	▲
613.3972.050.5	0.5	26	34	1.1	5.7	1.1	21.7	313113R	▲
613.3972.050.6	0.5	35	55	1.1	5.7	1.1	21.7	313113R	▲
613.3972.050.7	0.5	55	134	1.1	5.7	1.1	21.7	313113R	▲
613.3972.050.8	0.5	135	999	1.1	5.7	1.1	21.7	313113R	▲
613.3972.070.1	0.7	12	13	1.6	5.3	1.5	21.7	313113R	▲
613.3972.070.2	0.7	14	16	1.6	5.3	1.5	21.7	313113R	△
613.3972.070.3	0.7	17	20	1.6	5.3	1.5	21.7	313113R	▲
613.3972.070.4	0.7	21	25	1.6	5.3	1.5	21.7	313113R	△
613.3972.070.5	0.7	26	34	1.6	5.3	1.6	21.7	313113R	▲
613.3972.070.6	0.7	35	55	1.6	5.3	1.6	21.7	313113R	▲
613.3972.070.7	0.7	55	134	1.6	5.3	1.6	21.7	313113R	△
613.3972.070.8	0.7	135	999	1.6	5.3	1.6	21.7	313113R	△

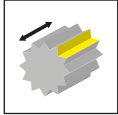
压力角 20°

Pressure angle 20°

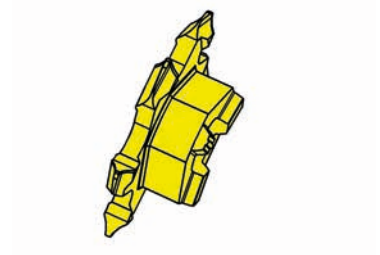
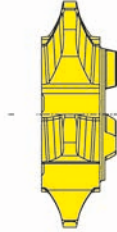
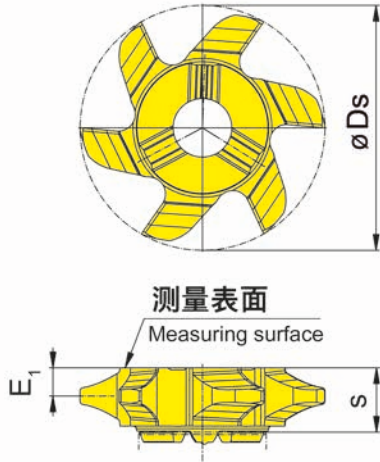
用于带渐开线齿面的圆柱齿轮的齿轮铣刀,符合 DIN 867 基本外形 1,符合 DIN 3972,用于精加工,变位系数0

Gear milling cutter for cylindrical gears with involuted flanks according to DIN 867
Basic profile 1 according to DIN 3972 for finishing, addendum shift 0

P	●
M	●
K	●
N	○
S	○
H	-



z6



硬质合金牌号
Carbide grades

▲ 库存
on stock

△ 4周
4 weeks

产品型号 Part number	模数 Module	z_{min}	z_{max}	E_1	s	t_{max}	D_s	HIS	AS45
613.3972.080.1	0.8	12	13	1.6	5.3	1.8	21.7	313113R	▲
613.3972.080.2	0.8	14	16	1.6	5.3	1.8	21.7	313113R	▲
613.3972.080.3	0.8	17	20	1.6	5.3	1.8	21.7	313113R	▲
613.3972.080.4	0.8	21	25	1.6	5.3	1.8	21.7	313113R	▲
613.3972.080.5	0.8	26	34	1.6	5.3	1.8	21.7	313113R	▲
613.3972.080.6	0.8	35	55	1.6	5.3	1.8	21.7	313113R	▲
613.3972.080.7	0.8	55	134	1.6	5.3	1.8	21.7	313113R	▲
613.3972.080.8	0.8	135	999	1.6	5.3	1.8	21.7	313113R	▲
613.3972.090.1	0.9	12	13	2.5	5.7	2.1	21.7	313113R	△
613.3972.090.2	0.9	14	16	2.5	5.7	2.1	21.7	313113R	△
613.3972.090.3	0.9	17	20	2.5	5.7	2.1	21.7	313113R	△
613.3972.090.4	0.9	21	25	2.5	5.7	2.1	21.7	313113R	△
613.3972.090.5	0.9	26	34	2.5	5.7	2.1	21.7	313113R	△
613.3972.090.6	0.9	35	55	2.5	5.7	2.1	21.7	313113R	△
613.3972.090.7	0.9	55	134	2.5	5.7	2.1	21.7	313113R	△
613.3972.090.8	0.9	135	999	2.5	5.7	2.1	21.7	313113R	△

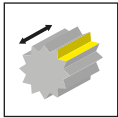
压力角 20°

Pressure angle 20°

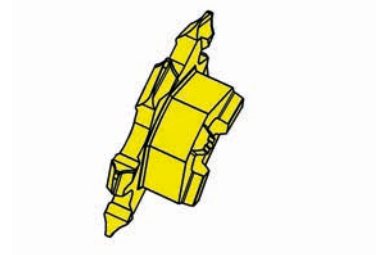
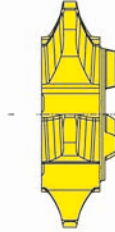
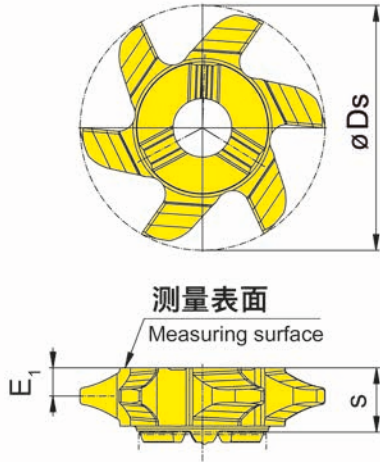
用于带渐开线齿面的圆柱齿轮的齿轮铣刀, 符合 DIN 867 基本外形 1, 符合 DIN 3972, 用于精加工, 变位系数 0

Gear milling cutter for cylindrical gears with involuted flanks according to DIN 867
Basic profile 1 according to DIN 3972 for finishing, addendum shift 0

P	●
M	●
K	●
N	○
S	●
H	-



z6



硬质合金牌号
Carbide grades

▲ 库存
on stock

△ 4周
4 weeks

产品型号 Part number	模数 Module	z_{min}	z_{max}	E_1	s	t_{max}	D_s	HIS	AS45
613.3972.100.1	1	12	13	2.5	5.7	2.2	21.7	313113R	▲
613.3972.100.2	1	14	16	2.5	5.7	2.2	21.7	313113R	▲
613.3972.100.3	1	17	20	2.5	5.7	2.2	21.7	313113R	▲
613.3972.100.4	1	21	25	2.5	5.7	2.2	21.7	313113R	▲
613.3972.100.5	1	26	34	2.5	5.7	2.2	21.7	313113R	▲
613.3972.100.6	1	35	54	2.5	5.7	2.3	21.7	313113R	▲
613.3972.100.7	1	55	134	2.5	5.7	2.3	21.7	313113R	▲
613.3972.100.8	1	135	999	2.5	5.7	2.4	21.7	313113R	▲
613.3972.125.1	1.25	12	13	2.5	5.7	2.6	21.7	313113R	▲
613.3972.125.2	1.25	14	16	2.5	5.7	2.7	21.7	313113R	▲
613.3972.125.3	1.25	17	20	2.5	5.7	2.7	21.7	313113R	△
613.3972.125.4	1.25	21	25	2.5	5.7	2.7	21.7	313113R	△
613.3972.125.5	1.25	26	34	2.5	5.7	2.7	21.7	313113R	▲
613.3972.125.6	1.25	35	54	2.5	5.7	2.7	21.7	313113R	▲
613.3972.125.7	1.25	55	134	2.5	5.7	2.8	21.7	313113R	△
613.3972.125.8	1.25	135	999	2.5	5.7	2.8	21.7	313113R	▲

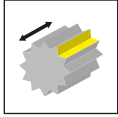
压力角 20°

Pressure angle 20°

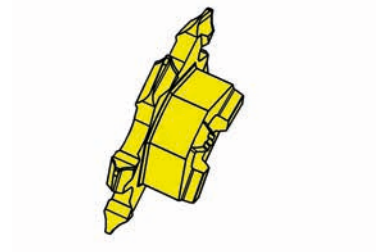
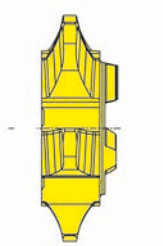
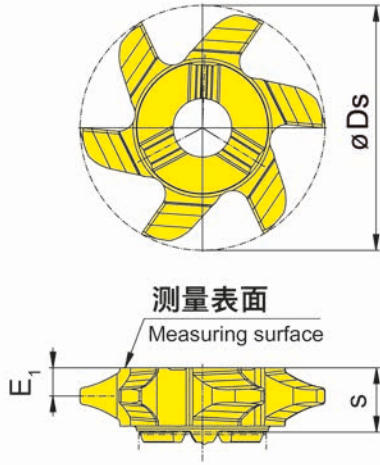
用于带渐开线齿面的圆柱齿轮的齿轮铣刀,符合 DIN 867 基本外形 1,符合 DIN 3972,用于精加工,变位系数0

Gear milling cutter for cylindrical gears with involuted flanks according to DIN 867
Basic profile 1 according to DIN 3972 for finishing, addendum shift 0

P	●
M	●
K	●
N	○
S	○
H	-



z6



硬质合金牌号
Carbide grades

▲ 库存
on stock

△ 4周
4 weeks

产品型号 Part number	模数 Module	z_{min}	z_{max}	E_1	s	t_{max}	D_s	HIS	AS45
613.3972.150.1	1.5	12	13	2.5	5.7	3.1	21.7	313113R	▲
613.3972.150.2	1.5	14	16	2.5	5.7	3.2	21.7	313113R	▲
613.3972.150.3	1.5	17	20	2.5	5.7	3.2	21.7	313113R	▲
613.3972.150.4	1.5	21	25	2.5	5.7	3.3	21.7	313113R	▲
613.3972.150.5	1.5	26	34	2.5	5.7	3.3	21.7	313113R	▲
613.3972.150.6	1.5	35	54	2.5	5.7	3.3	21.7	313113R	▲
613.3972.150.7	1.5	55	134	2.5	5.7	3.3	21.7	313113R	▲
613.3972.150.8	1.5	135	999	2.5	5.7	3.3	21.7	313113R	▲

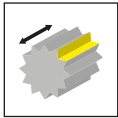
压力角 20°

Pressure angle 20°

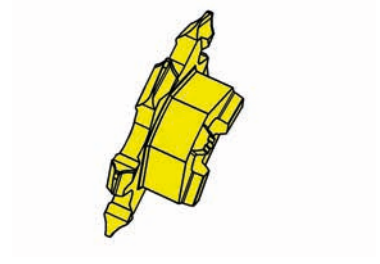
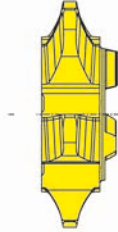
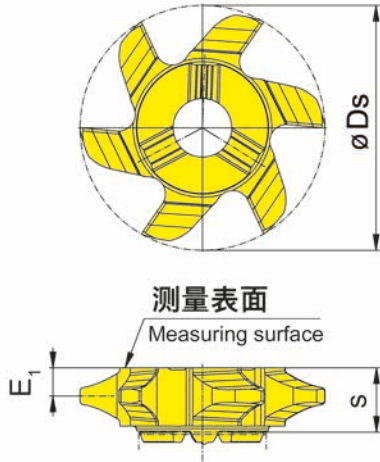
用于带渐开线齿面的圆柱齿轮的齿轮铣刀, 符合 DIN 867 基本外形 1, 符合 DIN 3972, 用于精加工, 变位系数 0

Gear milling cutter for cylindrical gears with involuted flanks according to DIN 867
Basic profile 1 according to DIN 3972 for finishing, addendum shift 0

P	●
M	●
K	●
N	○
S	●
H	-



z6



硬质合金牌号
Carbide grades

▲ 库存
on stock

△ 4周
4 weeks

产品型号 Part number	模数 Module	Z_{min}	Z_{max}	E_1	s	t_{max}	D_s	HIS	AS45
628.3972.175.1	1.75	12	13	3.4	7.45	3.8	27.7	328143R	△
628.3972.175.2	1.75	14	16	3.4	7.45	3.8	27.7	328143R	△
628.3972.175.3	1.75	17	20	3.4	7.45	3.8	27.7	328143R	△
628.3972.175.4	1.75	21	25	3.4	7.45	3.9	27.7	328143R	△
628.3972.175.5	1.75	26	34	3.4	7.45	3.9	27.7	328143R	△
628.3972.175.6	1.75	35	54	3.4	7.45	3.9	27.7	328143R	△
628.3972.175.7	1.75	55	134	3.4	7.45	3.9	27.7	328143R	▲
628.3972.175.8	1.75	135	999	3.4	7.45	3.9	27.7	328143R	△
628.3972.200.1	2	12	13	3.4	7.45	4.2	27.7	328143R	△
628.3972.200.2	2	14	16	3.4	7.45	4.2	27.7	328143R	▲
628.3972.200.3	2	17	20	3.4	7.45	4.2	27.7	328143R	▲
628.3972.200.4	2	21	25	3.4	7.45	4.3	27.7	328143R	▲
628.3972.200.5	2	26	34	3.4	7.45	4.4	27.7	328143R	▲
628.3972.200.6	2	35	54	3.4	7.45	4.4	27.7	328143R	▲
628.3972.200.7	2	55	134	3.4	7.45	4.4	27.7	328143R	▲
628.3972.200.8	2	135	999	3.4	7.45	4.5	27.7	328143R	▲

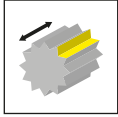
压力角 20°

Pressure angle 20°

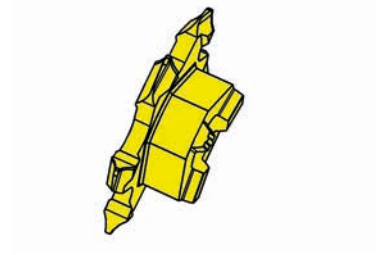
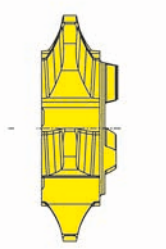
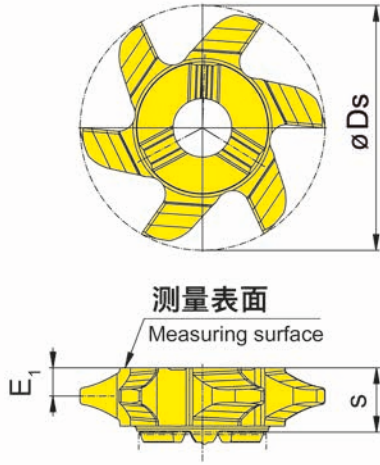
用于带渐开线齿面的圆柱齿轮的齿轮铣刀, 符合 DIN 867 基本外形 1, 符合 DIN 3972, 用于精加工, 变位系数 0

Gear milling cutter for cylindrical gears with involuted flanks according to DIN 867
Basic profile 1 according to DIN 3972 for finishing, addendum shift 0

P	●
M	●
K	●
N	○
S	○
H	-



z6



硬质合金牌号
Carbide grades

▲ 库存
on stock

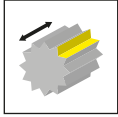
△ 4周
4 weeks

产品型号 Part number	模数 Module	z_{min}	z_{max}	E_1	s	t_{max}	D_s	HIS	AS45
632.3972.225.2	2.25	14	16	3.45	7.5	4.7	31.7	332143R	△
632.3972.225.3	2.25	17	20	3.45	7.5	4.8	31.7	332143R	△
632.3972.225.4	2.25	21	25	3.45	7.5	4.9	31.7	332143R	△
632.3972.225.5	2.25	26	34	3.45	7.5	4.9	31.7	332143R	△
632.3972.225.6	2.25	35	54	3.45	7.5	5	31.7	332143R	△
632.3972.225.7	2.25	55	134	3.45	7.5	5	31.7	332143R	△
632.3972.225.8	2.25	135	999	3.45	7.5	5	31.7	332143R	△

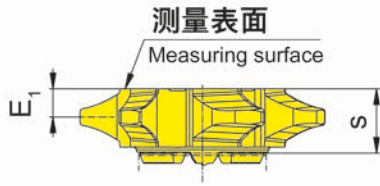
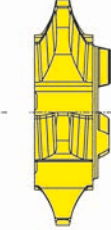
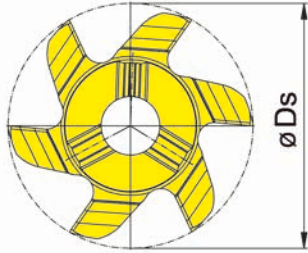
压力角 20°
Pressure angle 20°

用于带渐开线齿面的圆柱齿轮的齿轮铣刀,符合 DIN 867 基本外形 1,符合 DIN 3972,用于精加工,变位系数0
Gear milling cutter for cylindrical gears with involuted flanks according to DIN 867
Basic profile 1 according to DIN 3972 for finishing, addendum shift 0

P	●
M	●
K	●
N	○
S	●
H	-



z6



硬质合金牌号
Carbide grades

▲ 库存
on stock

△ 4周
4 weeks

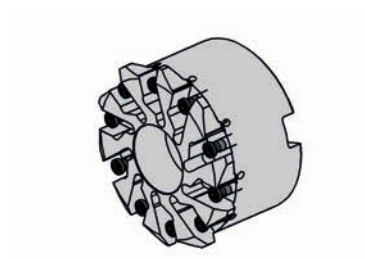
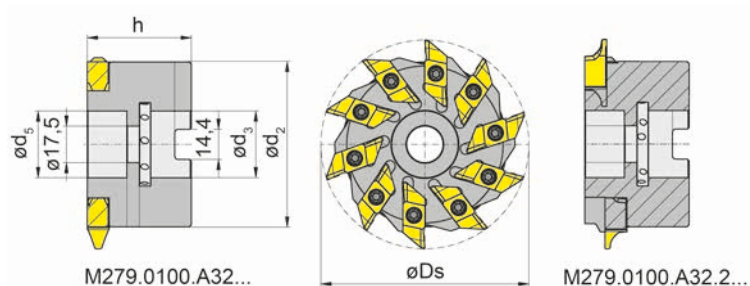
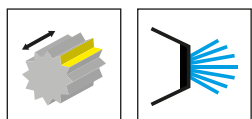
产品型号 Part number	模数 Module	Z_{min}	Z_{max}	E_1	s	t_{max}	Ds	HIS	AS45
635.3972.225.1	2.25	12	13	5.5	11.9	4.7	34.7	335175R	△
635.3972.250.1	2.5	12	13	5.5	11.9	5.4	34.7	335175R	△
635.3972.250.2	2.5	14	16	5.5	11.9	5.4	34.7	335175R	△
635.3972.250.3	2.5	17	20	5.5	11.9	5.4	34.7	335175R	△
635.3972.250.4	2.5	21	25	5.5	11.9	5.5	34.7	335175R	▲
635.3972.250.5	2.5	26	34	5.5	11.9	5.5	34.7	335175R	▲
635.3972.250.6	2.5	35	54	5.5	11.9	5.5	34.7	335175R	▲
635.3972.250.7	2.5	55	134	5.5	11.9	5.7	34.7	335175R	▲
635.3972.250.8	2.5	135	999	5.5	11.9	5.7	34.7	335175R	▲
635.3972.275.1	2.75	12	13	5.5	11.9	5.7	34.7	335175R	△
635.3972.275.2	2.75	14	16	5.5	11.9	5.8	34.7	335175R	△
635.3972.275.3	2.75	17	20	5.5	11.9	5.8	34.7	335175R	△
635.3972.275.4	2.75	21	25	5.5	11.9	5.9	34.7	335175R	△
635.3972.275.5	2.75	26	34	5.5	11.9	5.9	34.7	335175R	△
635.3972.275.6	2.75	35	54	5.5	11.9	6	34.7	335175R	△
635.3972.275.7	2.75	55	134	5.5	11.9	6.1	34.7	335175R	△
635.3972.275.8	2.75	135	999	5.5	11.9	6.1	34.7	335175R	▲
635.3972.300.1	3	12	13	5.5	11.9	6.2	34.7	335175R	▲
635.3972.300.2	3	14	16	5.5	11.9	6.4	34.7	335175R	▲
635.3972.300.3	3	17	20	5.5	11.9	6.4	34.7	335175R	▲
635.3972.300.4	3	21	25	5.5	11.9	6.4	34.7	335175R	▲
635.3972.300.5	3	26	34	5.5	11.9	6.5	34.7	335175R	▲
635.3972.300.6	3	35	54	5.5	11.9	6.5	34.7	335175R	▲
635.3972.300.7	3	55	134	5.5	11.9	6.6	34.7	335175R	▲
635.3972.300.8	3	135	999	5.5	11.9	6.6	34.7	335175R	▲

压力角 20°
Pressure angle 20°

用于带渐开线齿面的圆柱齿轮的齿轮铣刀, 符合 DIN 867 基本外形 1, 符合 DIN 3972, 用于精加工, 变位系数 0

Gear milling cutter for cylindrical gears with involuted flanks according to DIN 867
Basic profile 1 according to DIN 3972 for finishing, addendum shift 0

P	●
M	●
K	●
N	○
S	○
H	-



图示=右手型

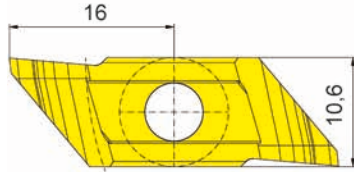
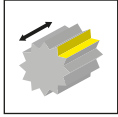
Picture = right hand cutting version

产品型号 Part number	Z	Ds	h	d ₅	d ₂	d ₃	HWS
M279.0100.A32.10.10.IK	10	100	50	17.5	79	32	279105R
M279.0100.A32.2.10.05.IK	10	100	50	17.5	79	32	279105R + 279105L

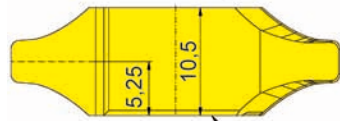
配件

Spare Parts

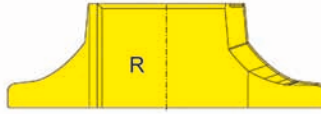
芯轴刀柄式铣刀 Arbour Mounted Cutter	锁紧螺钉 Clamping Screw	TORX PLUS®扳手 TORX PLUS® Wrench
M279...	030.0516.T20P	T20PQ



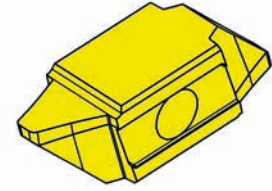
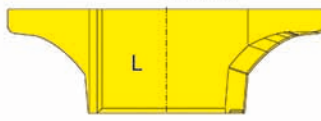
„A“ = 一次切削
= one cutting



接合侧
Blockside



„B“ = 两次切削
= two cutting



硬质合金牌号
Carbide grades

▲ 库存
on stock

△ 4周
4 weeks

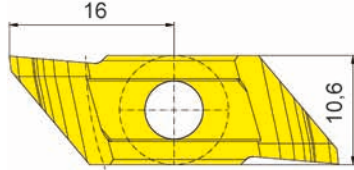
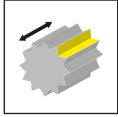
产品型号 Part number	模数 Module	Z_{min}	Z_{max}	E_1	s	t_{max}	Z	形式 Form	HIS	AS45
RS279.3972.325.1	3.25	12	13	5.25	10.5	6.7	2	A	279105R	△
RS279.3972.325.2	3.25	14	16	5.25	10.5	6.8	2	A	279105R	△
RS279.3972.325.3	3.25	17	20	5.25	10.5	7	2	A	279105R	△
RS279.3972.325.4	3.25	21	25	5.25	10.5	7	2	A	279105R	△
RS279.3972.325.5	3.25	26	24	5.25	10.5	7.1	2	A	279105R	△
RS279.3972.325.6	3.25	35	54	5.25	10.5	7.2	2	A	279105R	△
RS279.3972.325.7	3.25	55	134	5.25	10.5	7.2	2	A	279105R	△
RS279.3972.325.8	3.25	135	999	5.25	10.5	7.2	2	A	279105R	△
RS279.3972.350.1L	3.5	12	13	5.25	10.5	7.35	2	B	279105L	△
RS279.3972.350.1R	3.5	12	13	5.25	10.5	7.35	2	B	279105R	△
RS279.3972.350.2L	3.5	14	16	5.25	10.5	7.45	2	B	279105L	△
RS279.3972.350.2R	3.5	14	16	5.25	10.5	7.45	2	B	279105R	△
RS279.3972.350.3	3.5	17	20	5.25	10.5	7.4	2	A	279105R	△
RS279.3972.350.4	3.5	21	25	5.25	10.5	7.5	2	A	279105R	△
RS279.3972.350.5	3.5	26	34	5.25	10.5	7.65	2	A	279105R	△
RS279.3972.350.6	3.5	35	54	5.25	10.5	7.7	2	A	279105R	△
RS279.3972.350.7	3.5	55	134	5.25	10.5	7.8	2	A	279105R	△
RS279.3972.350.8	3.5	135	999	5.25	10.5	7.8	2	A	279105R	△

压力角 20°
Pressure angle 20°

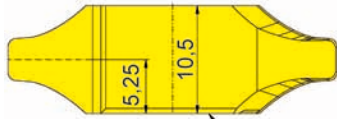
用于带渐开线齿面的圆柱齿轮的齿轮铣刀, 符合 DIN 867 基本外形 1, 符合 DIN 3972, 用于精加工, 变位系数0

Gear milling cutter for cylindrical gears with involuted flanks according to DIN 867
Basic profile 1 according to DIN 3972 for finishing, addendum shift 0

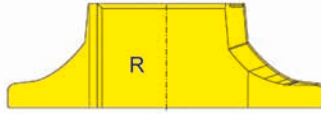
P	●
M	●
K	●
N	○
S	●
H	-



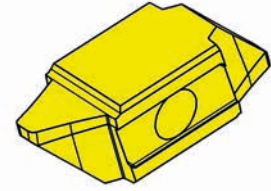
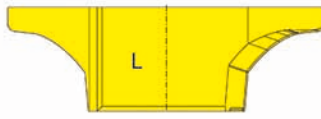
„A“ = 一次切削
= one cutting



接合侧
Blockside



„B“ = 两次切削
= two cutting



硬质合金牌号
Carbide grades

▲ 库存
on stock

△ 4周
4 weeks

产品型号 Part number	模数 Module	Z_{min}	Z_{max}	E_1	s	t_{max}	Z	形式 Form	HIS	AS45
RS279.3972.375.1L	3.75	12	13	5.25	10.5	7.8	2	B	279105L	△
RS279.3972.375.1R	3.75	12	13	5.25	10.5	7.8	2	B	279105R	△
RS279.3972.375.2L	3.75	14	16	5.25	10.5	7.85	2	B	279105L	△
RS279.3972.375.2R	3.75	14	16	5.25	10.5	7.85	2	B	279105R	▲
RS279.3972.375.3L	3.75	17	20	5.25	10.5	8	2	B	279105L	△
RS279.3972.375.3R	3.75	17	20	5.25	10.5	8	2	B	279105R	△
RS279.3972.375.4L	3.75	21	25	5.25	10.5	8.1	2	B	279105L	▲
RS279.3972.375.4R	3.75	21	25	5.25	10.5	8.1	2	B	279105R	△
RS279.3972.375.5	3.75	26	34	5.25	10.5	8.1	2	A	279105R	△
RS279.3972.375.6	3.75	35	54	5.25	10.5	8.2	2	A	279105R	△
RS279.3972.375.7	3.75	55	134	5.25	10.5	8.3	2	A	279105R	△
RS279.3972.375.8	3.75	135	999	5.25	10.5	8.35	2	A	279105R	△
RS279.3972.400.1L	4	12	13	5.25	10.5	8.3	2	B	279105L	△
RS279.3972.400.1R	4	2	13	5.25	10.5	8.3	2	B	279105R	△
RS279.3972.400.2L	4	14	16	5.25	10.5	8.4	2	B	279105R	△
RS279.3972.400.2R	4	14	16	5.25	10.5	8.4	2	B	279105R	△
RS279.3972.400.3L	4	17	20	5.25	10.5	8.55	2	B	279105L	△
RS279.3972.400.3R	4	17	20	5.25	10.5	8.55	2	B	279105R	△
RS279.3972.400.4L	4	21	25	5.25	10.5	8.65	2	B	279105L	△
RS279.3972.400.4R	4	21	25	5.25	10.5	8.65	2	B	279105R	△
RS279.3972.400.5L	4	26	34	5.25	10.5	8.75	2	B	279105R	△
RS279.3972.400.5R	4	26	34	5.25	10.5	8.75	2	B	279105R	△
RS279.3972.400.6L	4	35	54	5.25	10.5	8.8	2	B	279105L	△
RS279.3972.400.6R	4	35	54	5.25	10.5	8.8	2	B	279105R	△
RS279.3972.400.7	4	55	134	5.25	10.5	8.8	2	A	279105R	△
RS279.3972.400.8	4	135	999	5.25	10.5	8.9	2	A	279105R	△

压力角 20°

Pressure angle 20°

用于带渐开线齿面的圆柱齿轮的齿轮铣刀,符合 DIN 867 基本外形 1,符合 DIN 3972,用于精加工,变位系数0

Gear milling cutter for cylindrical gears with involuted flanks according to DIN 867
Basic profile 1 according to DIN 3972 for finishing, addendum shift 0

P	●
M	●
K	●
N	○
S	●
H	-



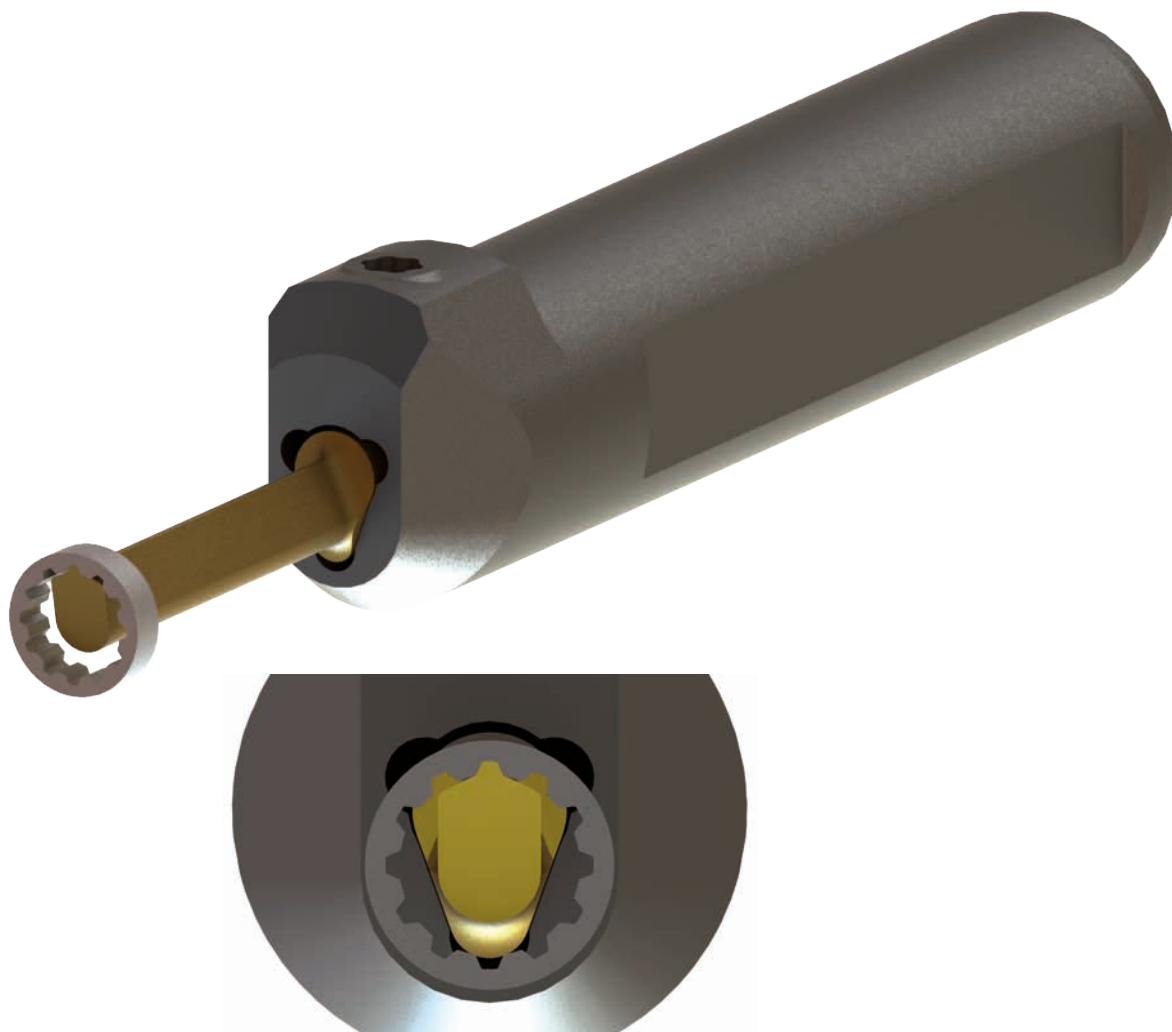
插齿

模数最大至5

GEAR BROACHING

Up to module 5

示例: Supermini
Example:



刀片 Insert

N105
N110
S117

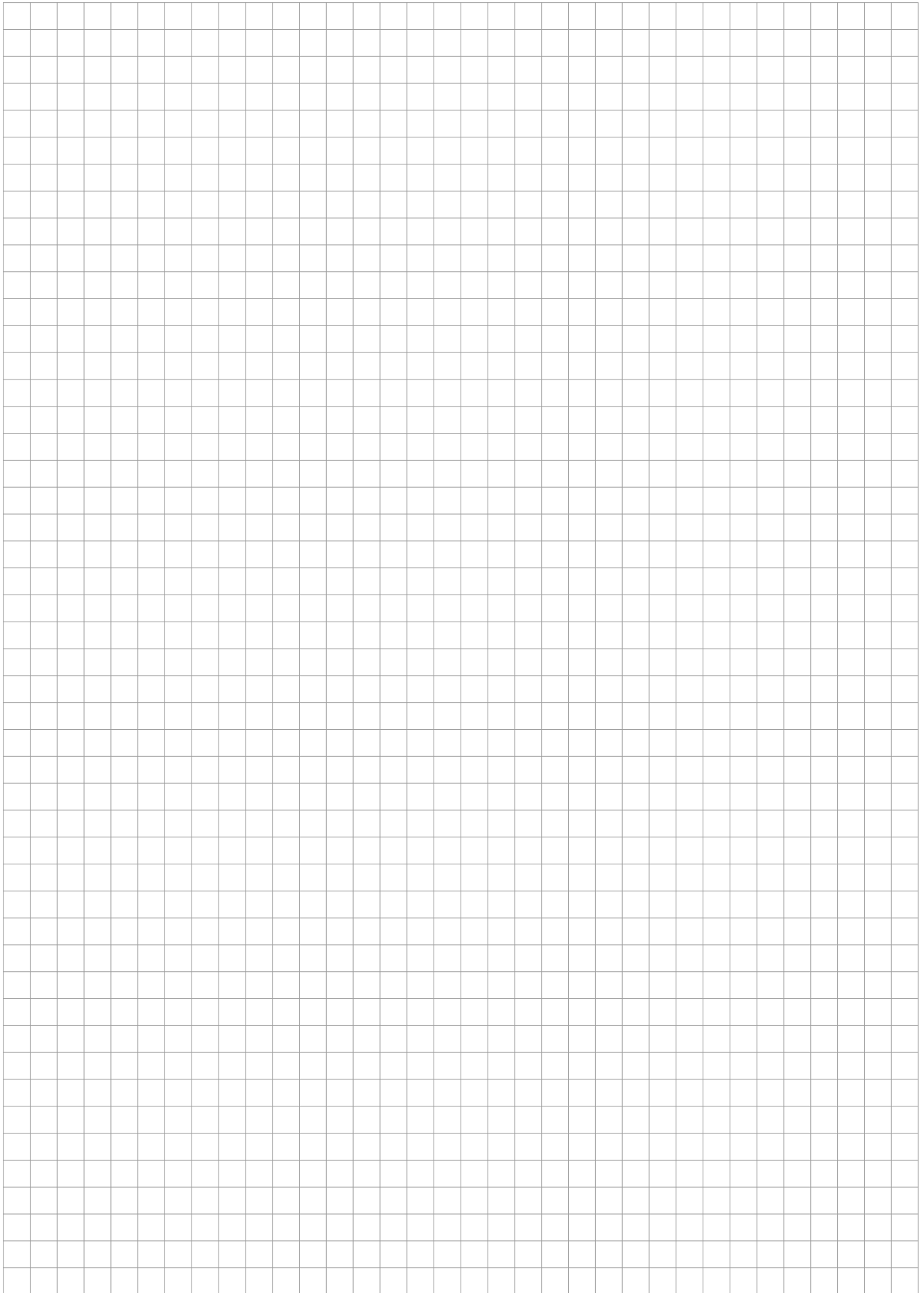
类型 Type	模数 m_n ma. Module size m_n	最小齿顶圆 min. tip circle for ring gear	最大长度 max. length of flank
N105	1.5	4	20
N110	1.5	5	40
S117	5	14	-

优点:

- 根据应用设计非标刀具
- 结合插削单元,实现高效加工
- 在一台机器上完成加工
- 最大模数 5 mm
- 交货时间短

Advantages:

- Special tools designed for your application
- High productivity in combination with broaching devices
- Finishing on one machine
- Up to module 5 mm
- Short delivery times





刮齿

模数从0.2至8

GEAR SKIVING

Gear teeth from module 0.2 mm up to module 8 mm



产品范围 WSA:

- 从 Modul $m = 0.2 \text{ mm}$ 逐步减少
- 从 $d = 7 \text{ mm}$
- 最大至模数 $m = 1 \text{ mm}$
- 最大至 $d = 30 \text{ mm}$
- 整硬
- 可重磨

Product range WSA:

- From module $m_n = 0.2 \text{ mm}$ with step cut
- From $d = 7 \text{ mm}$
- Up to module $m = 1$
- Up to $d = 30 \text{ mm}$
- Solid carbide version
- Resharpenable
- Head cutting if required (patented)



产品范围 WSR:

- 精密的接口,保证高的同心 (专利)
- 可替换刀片系统, 最高模数 $m_n = 4 \text{ mm}$
- 从 $d = 25 \text{ mm}$
- 可调整内冷供应
- 库存不同长度的标准刀杆

Product range WSR:

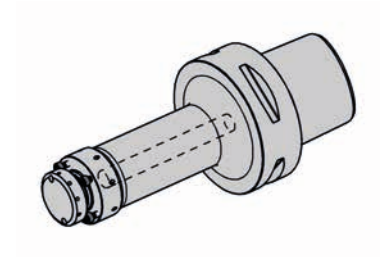
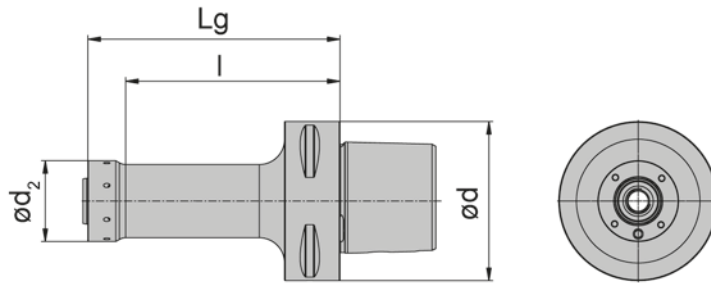
- Precision interface for high concentricity (patented)
- Interchangeable insert systems up to module $m_n = 4 \text{ mm}$
- From $d = 25 \text{ mm}$
- Adjustable coolant supply
- Standard shanks of different lengths from stock



刮齿刀杆

Gear Skiving Holder

MDR



产品型号 Part number	l	Lg	d	d ₂	冷却 Coolant	尺寸规格 Size
MDR.044.C6.060.W	45	60	63	32	D	04
MDR.044.C6.080.W	65	80	63	32	D	04
MDR.044.C6.100.W	85	100	63	32	D	04
MDR.044.HSKT063.060.W	45	60	63	32	D	04
MDR.044.HSKT063.100.W	85	100	63	32	D	04
MDR.052.C6.060.W	45	60	63	39	D	05
MDR.052.C6.100.W	85	100	63	39	D	05
MDR.052.HSKT063.060.W	45	60	63	39	D	05
MDR.052.HSKT063.100.W	85	100	63	56	D	05
MDR.081.C6.060.W	45	60	63	56	D	08
MDR.081.C6.100.W	77	100	63	56	D	08
MDR.081.C6.125.W	102	125	63	56	D	08
MDR.081.C8.060.W	45	60	80	56	D	08
MDR.081.C8.100.W	77	100	80	56	D	08
MDR.081.C8.125.W	102	125	80	56	D	08
MDR.081.HSKT063.060.W	45	60	63	56	D	08
MDR.081.HSKT063.100.W	77	100	63	56	D	08
MDR.081.HSKT063.125.W	102	125	63	56	D	08
MDR.081.HSKT100.125.W	102	125	100	56	D	08

柄是专为WSR齿轮削片系统设计的，并与DR扩孔刀片兼容。带有内部冷却剂供应“D”的标准版本。通过用可选的冷却分配器替换冷却头堵头，柄可以转换为冷却供应版本“A”。

The shanks are designed for the WSR Gear Skiving System and are compatible with DR reaming inserts. Standard version with internal coolant supply „D“. By replacing the coolant plug with the optionally available coolant distributor, the shanks can be converted to coolant supply version „A“.

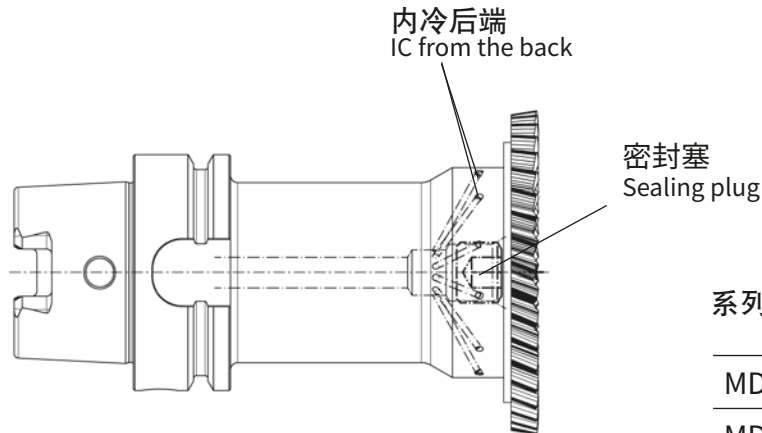
配件

Spare Parts

刮齿刀杆 Gear Skiving Holder	螺钉 Screw	TORX 扳手 Torx Wrench
MDR....	C00 90 02	T8L
MDR.081...	C00 90 04	T15Q

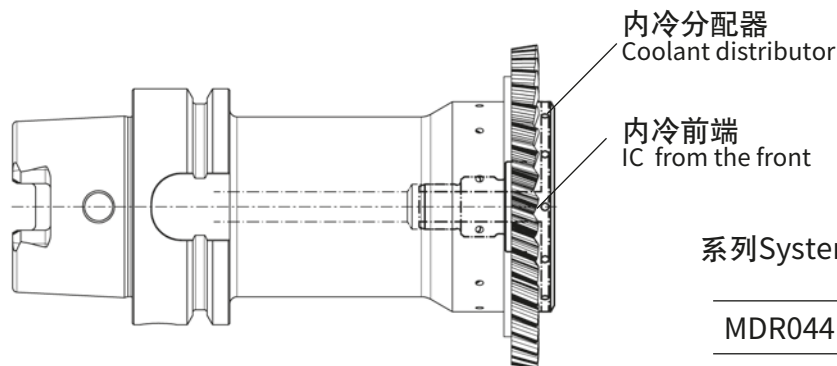
内冷设计 Internal coolant supply design

版本“D” - 配密封塞
Version "D" - with Sealing plug



系列System	密封塞 Sealing plug
MDR044	10.1.08.913
MDR052	12.1.12.913
MDR081	16.1.12.913

版本“A” - 配冷却分配器
Version "A" - with Coolant distributor



系列System	内冷分配器 Coolant distributor
MDR044	020.2510.6506
MDR052	020.3216.6505
MDR081	020.5616.6246



冷却管 Coolant tube	刀杆系列 for System Holder
020.4012.1306	HSK-A 40
020.5016.1307	HSK-A 50
020.6318.1308	HSK-A 63
020.0024.1310	HSK-A 100

产品范围 M117:

- 可替换刀片系列,最高模数 8
- 可替换刀片,自定心刀片座
- 不同的接口的芯轴版本
- 根据机械加工应用,集成冷却供应

Product range M117:

- Interchangeable insert system up to module 8
- Interchangeable insert with self-centring insert seat
- Arbor version with different adapters
- With integrated coolant supply depending on the machining application





齿轮倒角

DEBURRING OF GEARS

圆柱齿轮的倒角允许在一台机器上以精确的几何形状进行完整的加工。工件和工具的同步旋转允许短的加工时间,即使是带台阶的齿轮。刀具为每个齿轮精确设计的,并确定了工艺数据。

The chamfering of spur gears allows complete machining on one machine with exact geometries. Synchronized rotation of workpiece and tool allow short machining times, even for gears with shoulders. The tool is designed exactly for each gear and the process data is determined.

加工示例

材料: 1.7137 / 16MnCr5

齿数: 25

模数: 1.25

加工时间: 8 s

Vc: 200 m/min

f: 150 mm/min

Machining example

Material: 1.7137 / 16MnCr5

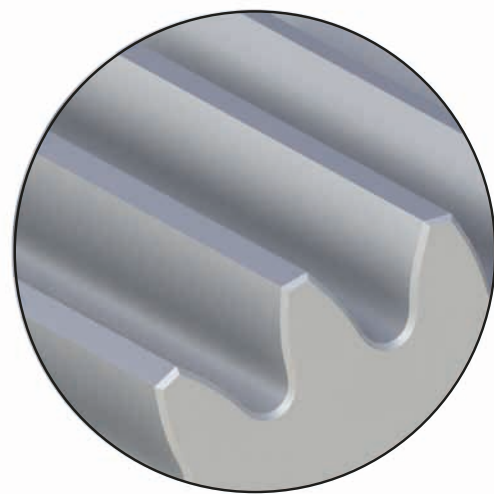
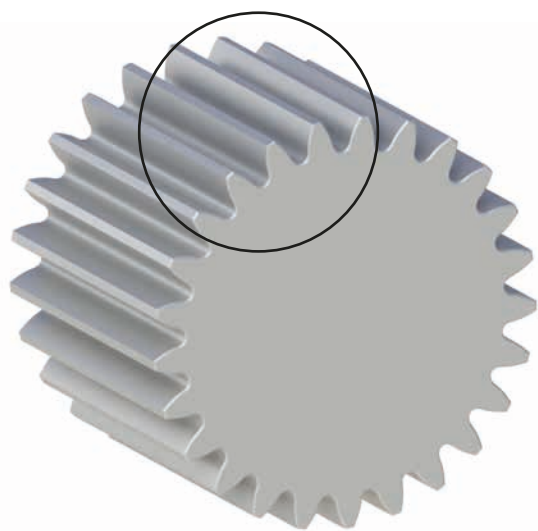
Number of teeth: 25

Module: 1.25

Cycle time: 8 s

Cutting speed: 200 m/min

f: 150 mm/min





齿轮成形

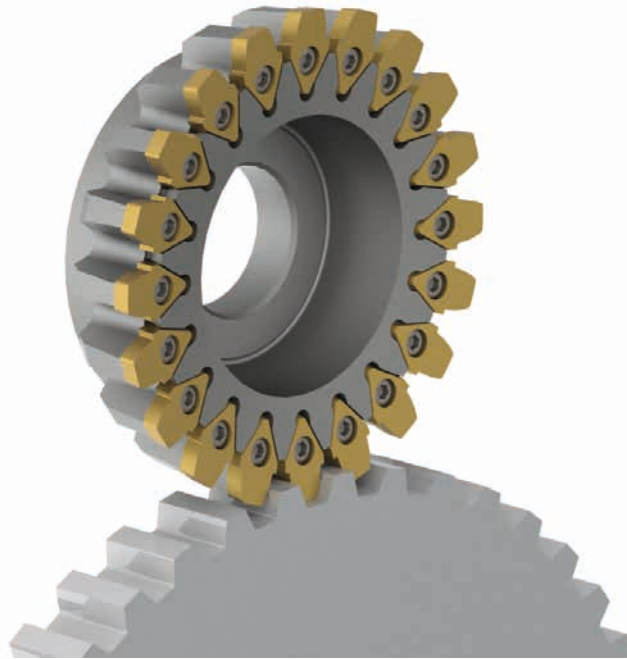
内齿和外齿

GEAR SHAPING

For external and internal gears

- 为您的应用设计的特殊工具
- 内齿及外齿
- 用于渐开线和平行花键
- 特殊齿形
- 模数从0.2 mm 至 5 mm
- 必要时包括工具和工艺设计

- Special tools designed for your application
- For external and internal gears
- For involute and parallel splines
- For special profiles
- From module size 0.2 mm to 5 mm
- Tool incl. process design





单点齿轮铣

更少的刀具移动的工艺过程

SINGLE-POINT GEAR MILLING

Process with fewer tool movements

单点齿轮铣削是工件和刀具以给定速比旋转的加工过程。刀具被设置在与工件的固定角度上。主轴和刀具同步运行是很重要的。

除了凸齿齿轮和直齿圆柱齿轮外,该工艺还可以有效地生产渐开线齿轮或花键齿轮。几乎所有的HORN铣削系统都可以用于此方法。

该工艺的优点是减少了刀具移动,因为所有齿都在一次通过中产生。该工艺可以在几乎所有的车铣中心中实施,因此是普遍适用的。

Single-point gear milling is a machining process in which the workpiece and the tool rotate at a given speed ratio. The tool is set at a fixed angle to the workpiece. It is important that the spindle and tool run in synchrony with each other.

The process can be used to efficiently produce involute or spline gears in addition to crown and spur gears. Almost all HORN milling systems can be used for this purpose.

The advantages of the process are reduced tool movements as all tooth spaces are produced in one pass. The process can be implemented on almost all turn-mill centres and is therefore universally applicable.

花键

材料: 1.7137 / 16MnCr5 齿数: 36

模数: 0.5

加工时间: 10 s

Vc: 150 m/min

fz: 0,1 mm / Z

Spline gearing

Material: 1.7137 / 16MnCr5

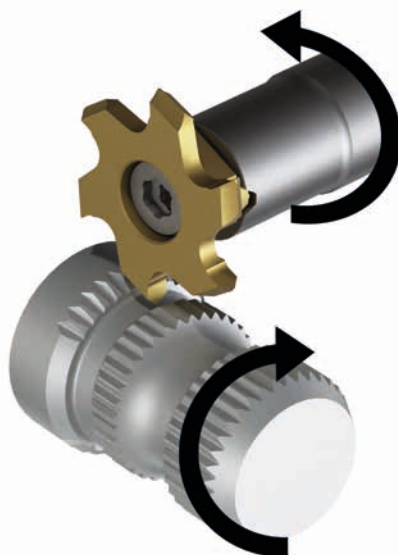
Number of teeth: 36

Module: 0.5

Cycle time: 15 s

Cutting speed: 150 m/min

f_z: 0,1 mm / Z





伞齿铣

模数从0.6至4

BEVEL GEAR MILLING

From module 0.6 mm up to module 4 mm

产品范围包括用于制造外摆线纵齿形状和恒定齿高的螺旋锥齿轮的工具。其他特殊要求齿形的测试。以客户零件为基础,配合INDEX进行齿轮加工工艺设计,包括所有加工参数。刀具几何和刀具参数协调的定义取决于工件材料,其目的是实现高工件精度和节约加工时间。前和后加工一个定位,使与所有功能相关的特征在同一装夹下加工,以实现最大精度的目标。在通用机器上,从毛坯到锥齿轮。

产品范围:

我们的产品范围包括具有HSK-T40和HSK-T63接口的铣刀在各种飞行圈和齿列/齿轮速度。

一套刀具可用于不

同的模数和锥齿轮尺寸。

两种不同的刀片尺寸可覆盖齿轮齿尺寸从模数 $m = 0.6 \text{ mm}$ 到模数 $m = 4 \text{ mm}$ 。

The product range includes tools for the manufacture of spiral bevel gears with epicycloidal longitudinal tooth shape and constant tooth height. Other tooth forms require special testing.

The design of the gear cutting process including all machining parameters is carried out in cooperation with Index based on the customer's component. The definition of the tool geometry and coordination of the tool parameters depends on the workpiece material and is carried out with the aim of achieving high workpiece accuracy and economical machining time.

Front and rear machining in one set-up enables complete machining with all functionally relevant features are machined in one clamping with the aim of achieving maximum precision. Bevel gears from bar on universal machines.

Product range:

Our product range includes milling cutters with HSK-T40 and HSK-T63 interfaces in various flight circles and tooth rows/gear speeds. One set of cutters can be used for different modules and bevel gear dimensions.

Two different insert sizes cover gear tooth sizes from module $m = 0.6 \text{ mm}$ to module $m = 4 \text{ mm}$.

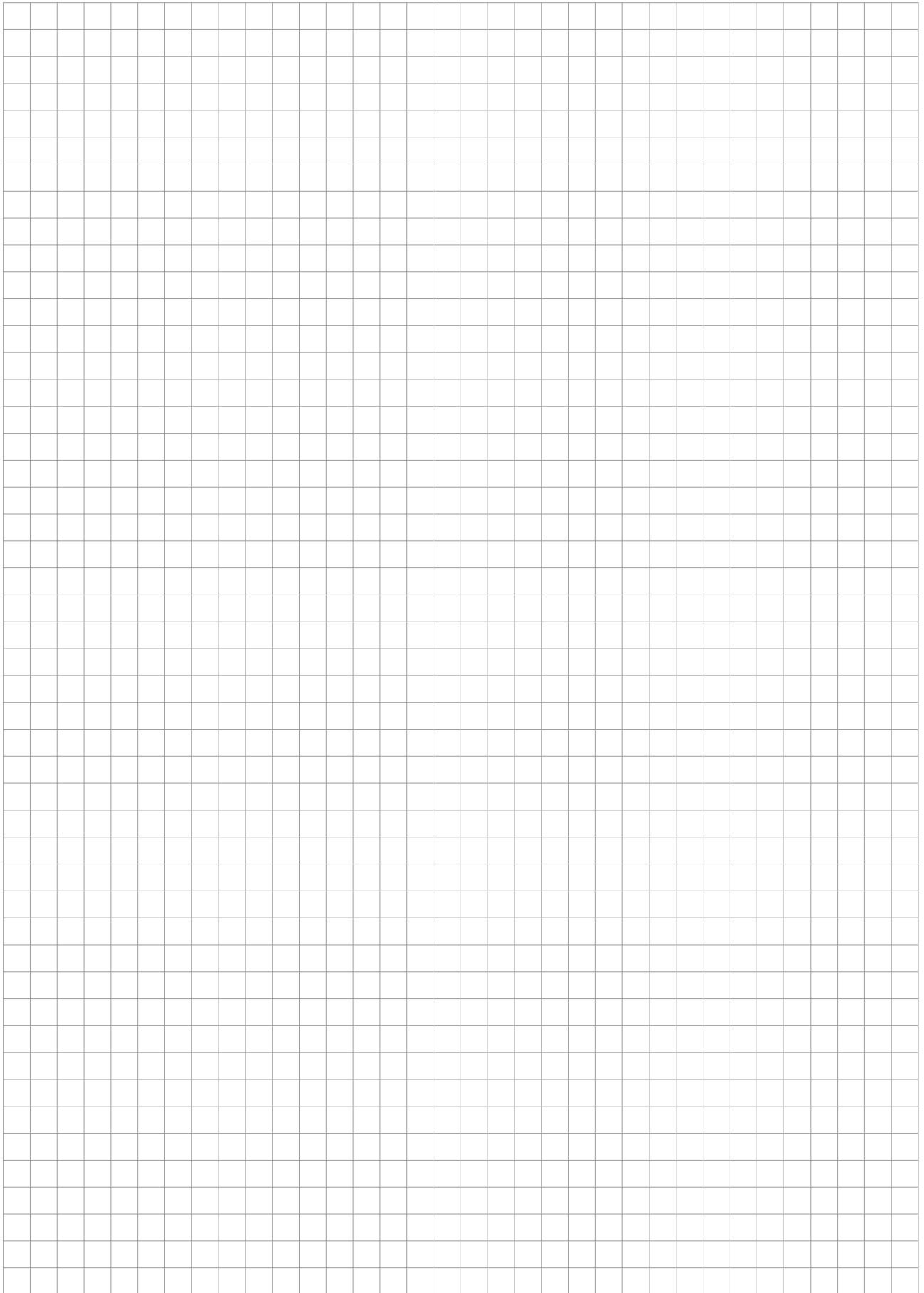
该刀具程序已装载在INDEX机床上,并包括以下:

- 铣刀盘, HSK-T40或HSK-T63接口
- 刀盘分为内刀和外刀- 1侧面加工, 在校正时更高的精度和灵活性
- 内部和外部刀具的刀体相同
- 2个尺寸刀片系统对应不同的模数大小
- 系统顺时针或逆时针旋转
- 适配刀盘, 使刀具适应不同直径/飞行圆半径
- 通过使用各种塞片调整外半径和内半径的偏心, 灵活地修正齿的纵向形状
- 配合不同材料的硬质合金

The tool program has been adapted to Index machines and includes the following:

- Milling body with HSK-T40 or HSK-T63 interface
- Separate cutter head for inside and outside cutters – 1 flank machining for higher precision and flexibility when making corrections
- Identical body for the internal and external cutters
- System inserts in 2 sizes for different module sizes
- Systems for clockwise or counter-clockwise rotation
- Adapter discs for adapting the tools to different diameters / flight circle radii
- Flexible correction of the longitudinal shape of the tooth by adjusting the eccentricity of the outer and inner radius using various spacer plates
- Coordinated substrates for different materials



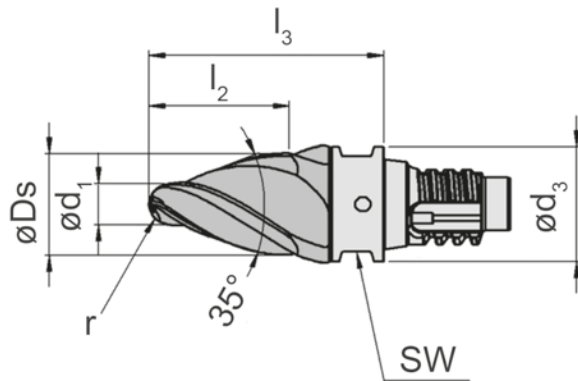
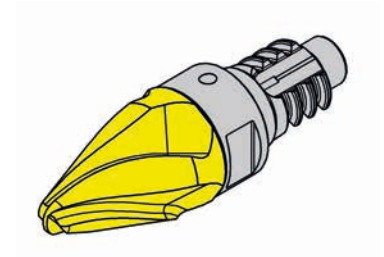
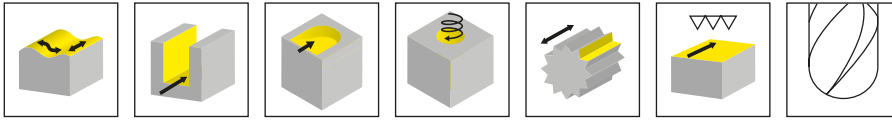




5轴铣齿

5-AXIS MILLING OF GEAR TEETH





硬质合金牌号
Carbide grades

▲ 库存
on stock

△ 4周
4 weeks

产品型号 Part number	系列 System	SW	Z	Ds	d	r	l_3	d_1	a_p	HIS	AN2P
DGVZ.4.10.35.15.00	DG10	8	4	10	9.8	1.5	21	2.86	12.3	DG0101	▲
DGVZ.4.12.35.20.00	DG12	10	4	12	11.7	2	24	3.82	14.3	DG0121	▲
DGVZ.6.16.35.30.00	DG16	13	6	16	15.6	3	32	5.72	18.4	DG0161	▲
DGVZ.6.20.35.50.00	DG20	17	6	20	19.5	5	37	9.54	20.09	DG0201	▲

注意:

本章只包含齿轮精加工工具。DAH系统的粗加工工具请参见第K章，DG和DS系统的粗加工工具请参见我们的整体硬质合金铣刀样本

Note:

This chapter contains only the finishing tools for gears. The tools for roughing System DAH can be found in chapter K, for systems DG and DS please see our catalogue SOLID CARBIDE MILLS

P	●
M	○
K	-
N	-
S	-
H	-

模数 30 直槽, 可达 \varnothing 4000 mm

Module 30 straight fluted, up to \varnothing 4000 mm

粗加工高进给铣削/精加工高仿形铣削

Roughing high feed milling / Finishing copy milling



DAHM.37

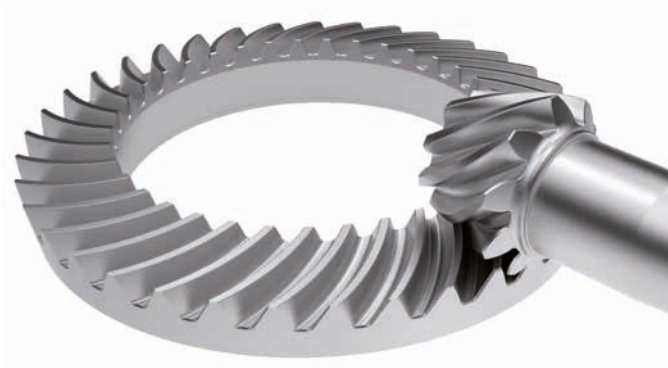


DGH

模数 13.56

Module 13.56

粗加工快进给铣削 / 精加工仿形铣削
Roughing high feed milling / Finishing copy milling



DGH



DSDS

材料 Material	刀具 Tools	Ds [mm]	v_c [m/min]	加工中心 Machining centre
C45	DGH	12/16	300	5 轴 / 5-axis
C45	DSDS	8	200	5 轴 / 5-axis
C45	DSK	10	190	5 轴 / 5-axis
C45	DSM	12	260	5 轴 / 5-axis

轴向模数 7.9 / Ø 420 mm

Axial module 7.9 / Ø 420 mm

常规粗加工/精加工仿形铣削

Roughing conventionally / Finishing copy milling



DPTP

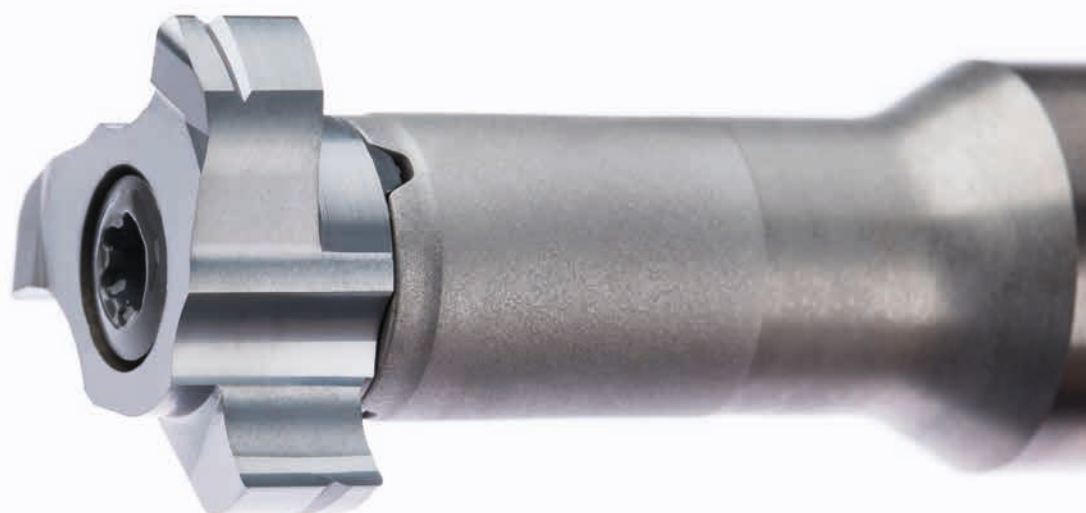


DSK



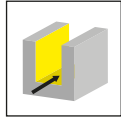
DPTR

材料 Material	刀具 Tools	Ds [mm]	v _c [m/min]	Q [cm ³ /min]	加工中心 Machining centre
CuSn12Ni	DPTP	8	200	145	5轴 / 5-axis5-axis
CuSn12Ni	DSK	8	225	80	5轴 / 5-axis5-axis
CuSn12Ni	DPTR	6	225		5轴 / 5-axis5-axis



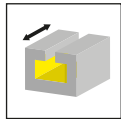
系列/System	页/Page
M311	410
M313	416
M328	420
M406/M409	426

铣刀杆
Milling shank
M311



页/Page
412

刀片
Insert
311



页/Page
413-414

M311



T型槽铣刀

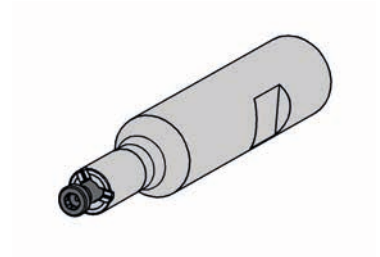
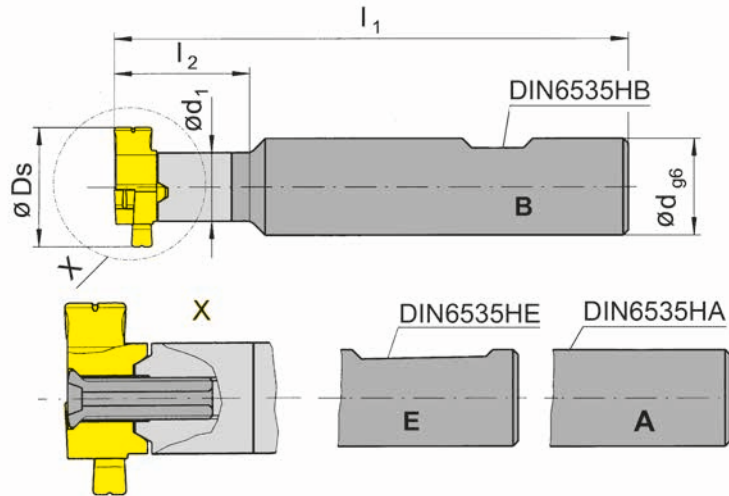
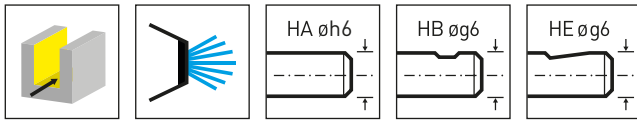
带可转位刀片

切削刃自 \varnothing 17 mm

**T-Slot Cutter
with exchangeable
inserts**

from cutting edge \varnothing 17 mm

J



图示=右手型
Picture = right hand cutting version

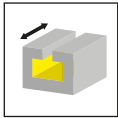
产品型号 Part number	d	l ₁	l ₂	d ₁	形式 Form	HWS
M311.0016.00A	16	90	25	9	A	311090R
M311.0016.00B	16	90	25	9	B	311090R
M311.0016.00E	16	90	25	9	E	311090R

Ds见刀片
Ds see inserts

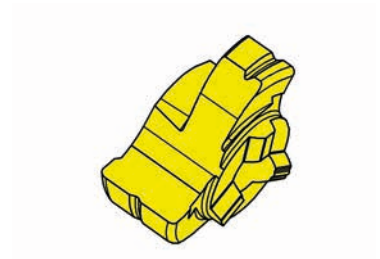
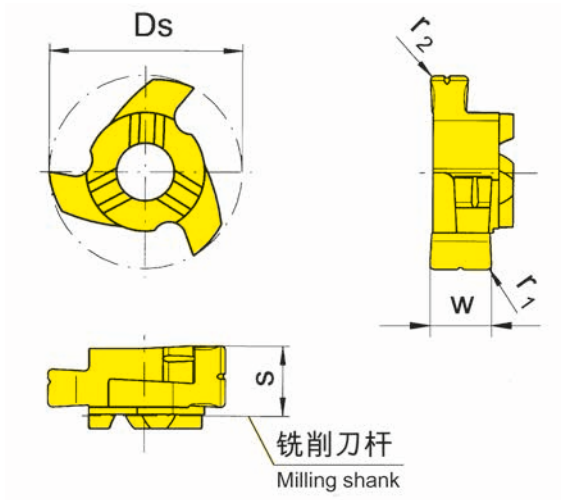


配件
Spare Parts

铣刀杆 Milling shank	锁紧螺钉 Clamping Screw	TORX PLUS®扳手 TORX PLUS® Wrench
M311...	4.16T15KP	T15PQ



z3

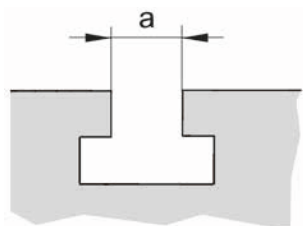


图示=右手型
Picture = right hand cutting version

▲ 库存 on stock
▲ 4周 4 weeks

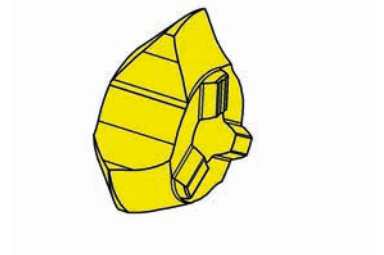
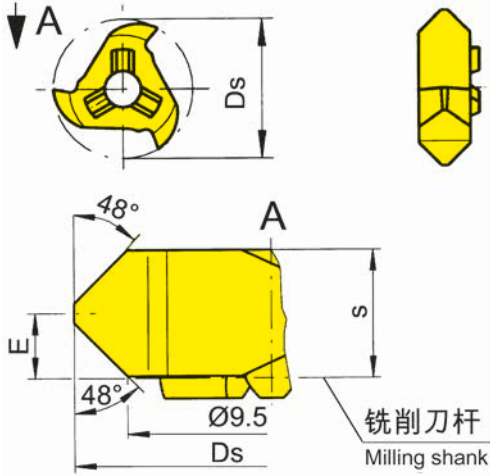
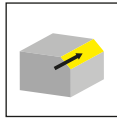
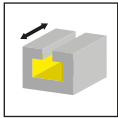
硬质合金牌号
Carbide grades

产品型号 Part number	Ds	s	w	r ₁	r ₂	a	HIS	AS45	TI25
311.1016.00	17	7.7	7.2	0.5	0.8	10	311090R	▲	▲



P	●	●
M	●	●
K	●	●
N	○	●
S	●	●
H	-	-

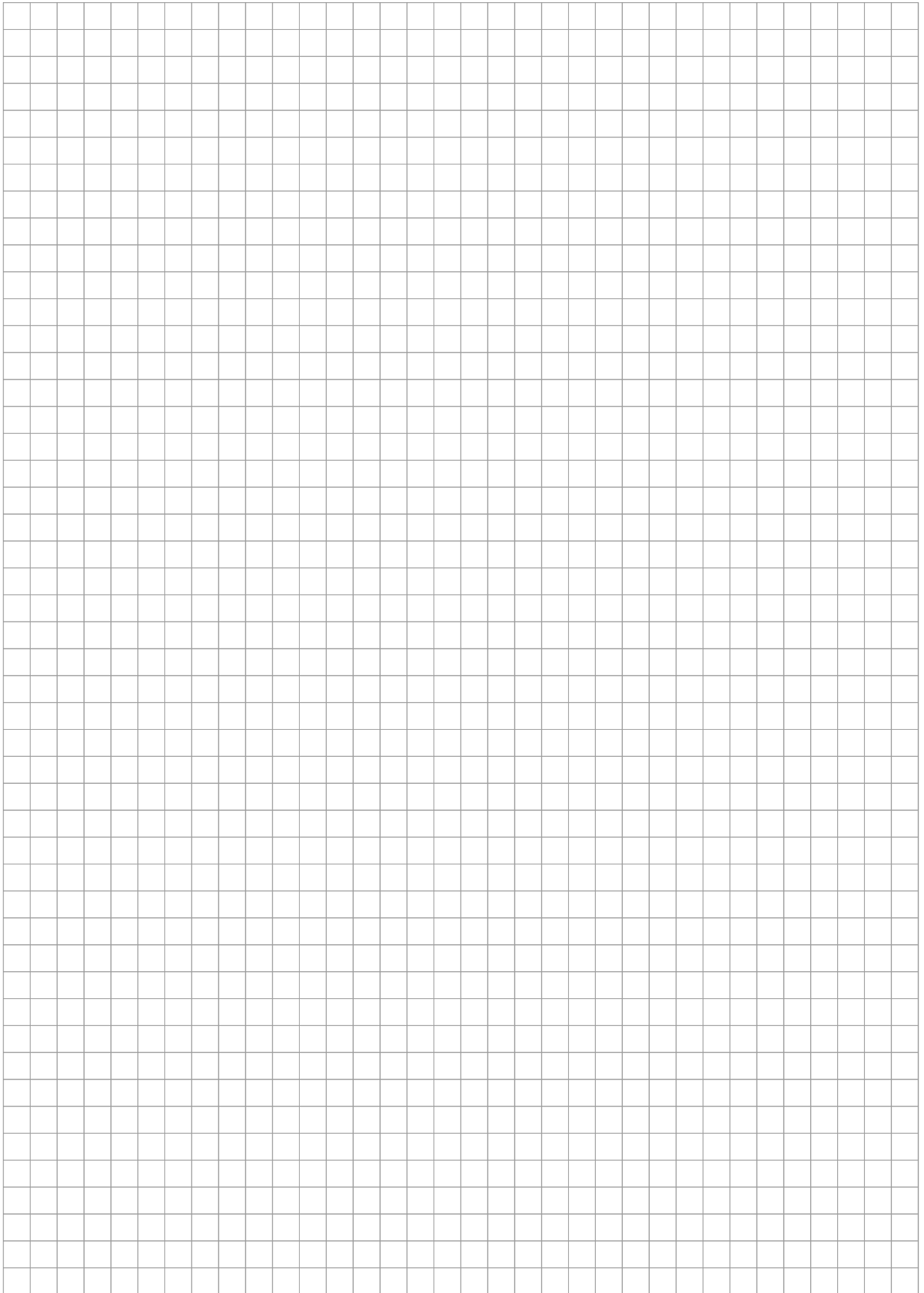




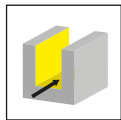
图示=右手型
Picture = right hand cutting version

硬质合金牌号
Carbide grades
▲ 库存
on stock
△ 4周
4 weeks

产品型号 Part number	Ds	E	s	a	HIS	T125
311.4216.00	15.8	3	5.95	10	311090R	▲
						P ●
						M ●
						K ●
						N ●
						S ●
						H -

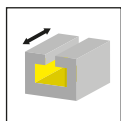


铣刀杆
Milling shank
M313



页/Page
418

刀片
Insert
313



页/Page
419

M313



T型槽铣刀

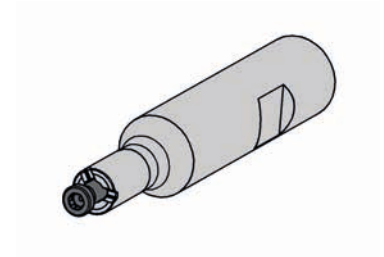
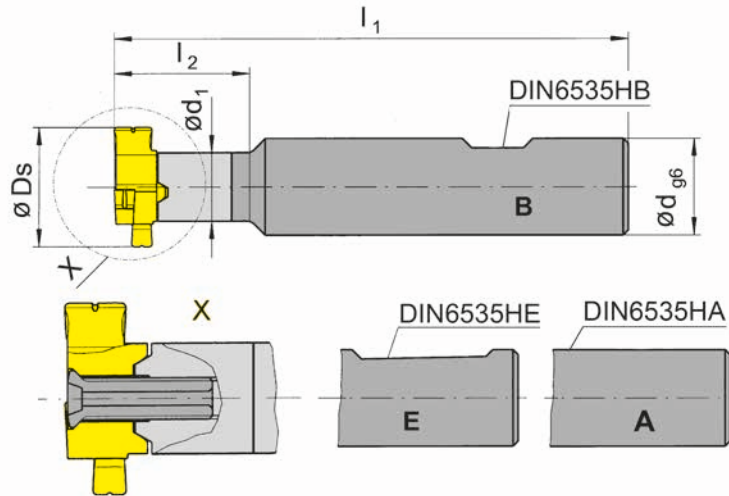
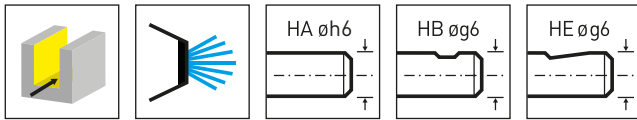
带可转位刀片

切削刃自 $\varnothing 20$ mm

**T-Slot Cutter
with exchangeable
inserts**

from cutting edge $\varnothing 20$ mm

J



图示=右手型
Picture = right hand cutting version

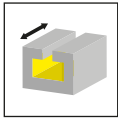
产品型号 Part number	d	l ₁	l ₂	d ₁	形式 Form	HWS
M313.0016.00A	16	93	30	11.5	A	313113R • 313113L
M313.0016.00B	16	93	30	11.5	B	313113R • 313113L
M313.0016.00E	16	93	30	11.5	E	313113R • 313113L

Ds见刀片
Ds see inserts

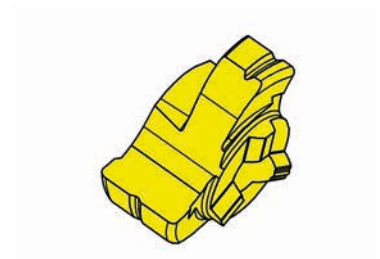
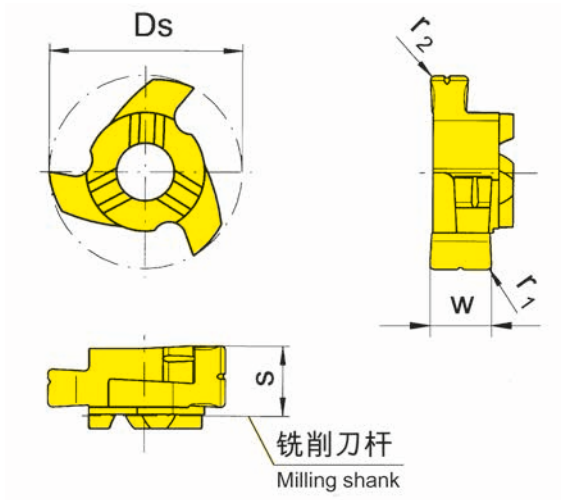
J

配件
Spare Parts

铣刀杆 Milling shank	锁紧螺钉 Clamping Screw	TORX PLUS®扳手 TORX PLUS® Wrench
M313...	5.13T20KP	T20PQ



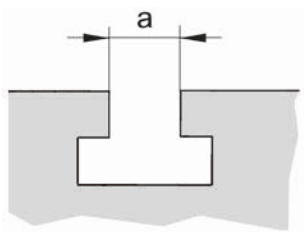
z3



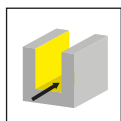
图示=右手型
Picture = right hand cutting version

硬质合金牌号
Carbide grades
▲ 库存 on stock
△ 4周 4 weeks

产品型号 Part number	Ds	s	w	r ₁	r ₂	a	HIS	AS45	T125
313.1219.00	20	8.7	8.2	0.5	0.8	12	313113R	▲	▲
								P ● ●	● ●
								M ● ●	● ●
								K ● ●	● ●
								N ○ ●	● ●
								S ● ●	● ●
								H - -	- -

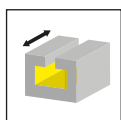


铣刀杆
Milling shank
M328



页/Page
422

刀片
Insert
328

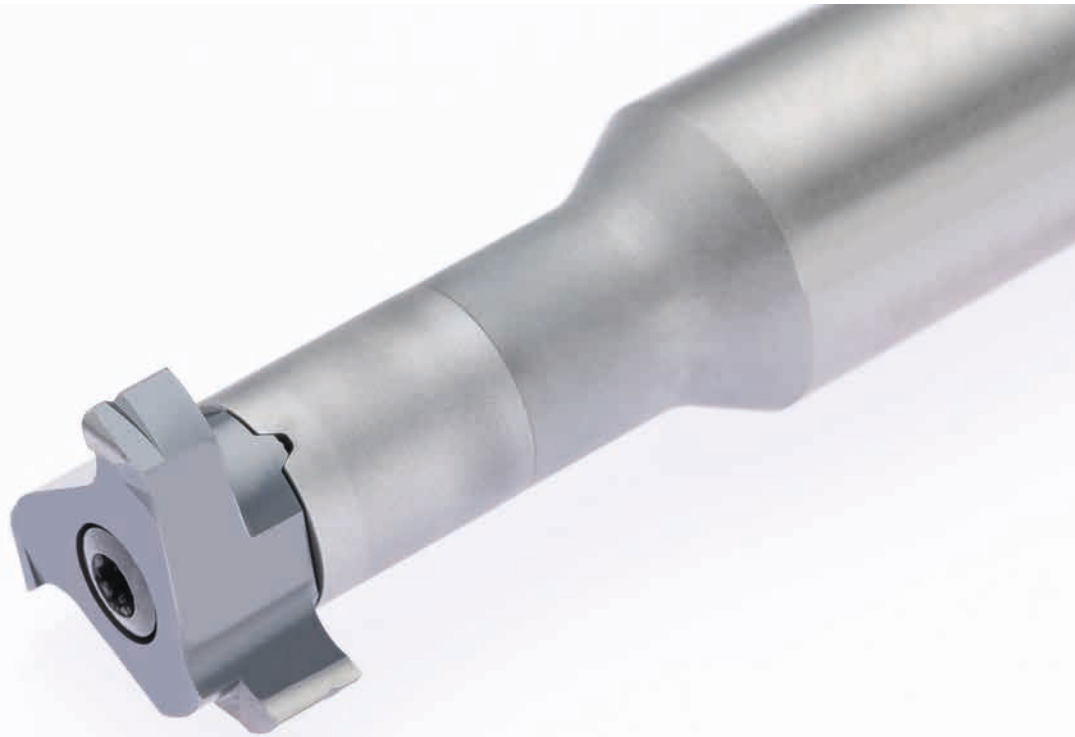


页/Page
423

技术信息
Technical Instructions

页/Page
424

M328



T型槽铣刀

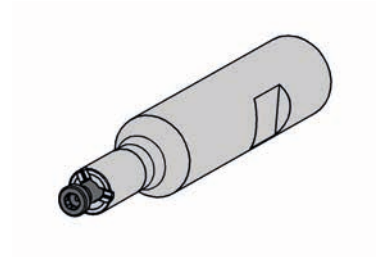
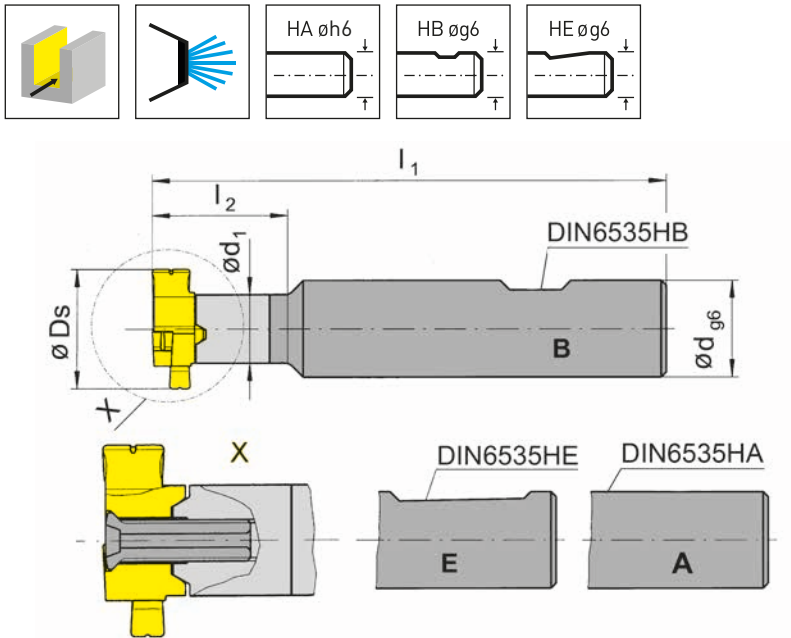
带可转位刀片

切削刃自 $\varnothing 24$ mm

**T-Slot Cutter
with exchangeable
inserts**

from cutting edge $\varnothing 24$ mm

J



图示=右手型
Picture = right hand cutting version

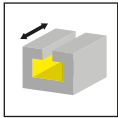
产品型号 Part number	d	l ₁	l ₂	d ₁	形式 Form	HWS
M328.0020.00A	20	104	35	13.5	A	328143R
M328.0020.00B	20	104	35	13.5	B	328143R
M328.0020.00E	20	104	35	13.5	E	328143R

Ds见刀片
Ds see inserts

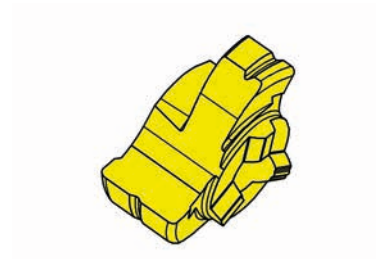
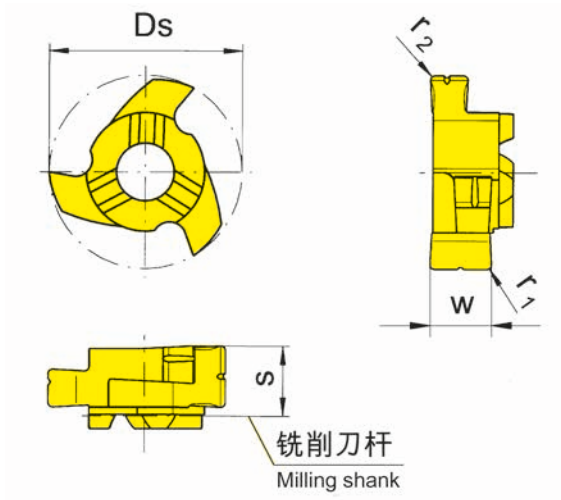
J

配件
Spare Parts

铣刀杆 Milling shank	锁紧螺钉 Clamping Screw	TORX PLUS®扳手 TORX PLUS® Wrench
M328...	5.13T20KP	T20PQ



z3

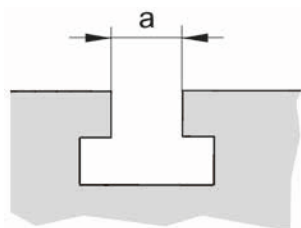


图示=右手型
Picture = right hand cutting version

▲ 库存 on stock
▲ 4周 4 weeks

硬质合金牌号
Carbide grades

产品型号 Part number	Ds	s	w	r ₁	r ₂	a	HIS	AS45	T125
328.1423.00	24	9.8	9.2	0.5	1	14	328143R	▲	▲

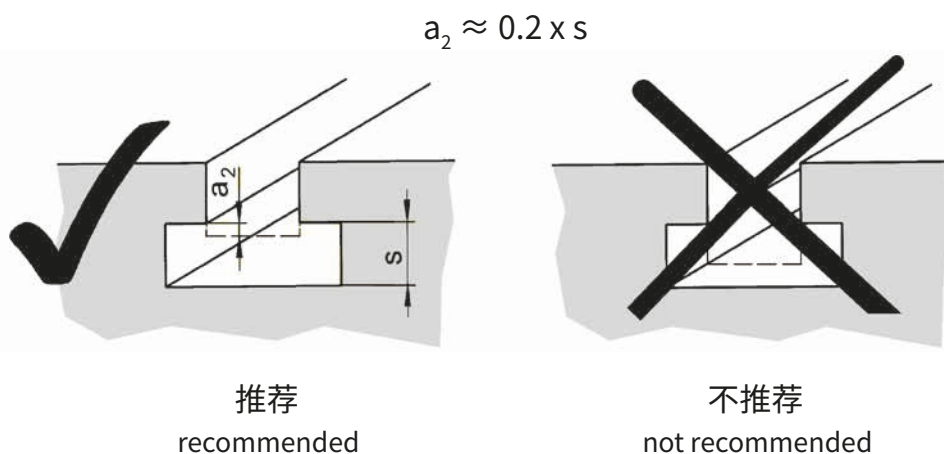


P	●	●
M	●	●
K	●	●
N	○	●
S	●	●
H	-	-



应用技术

Application Technology



切削参数

Cutting data

T型槽铣削

Milling of T-slots

工件材质 Workpiece material	刀具材质 Cutting material	v_c (m/min)	f_z (mm), Z=1 Ds 17 mm	f_z (mm), Z=1 Ds 20-24 mm
碳钢 Carbon steel	Tl25 / AS45	200 - 300	0.03 - 0.06	0.05 - 0.08
合金钢 Alloyed steel	Tl25 / AS45	140 - 220	0.02 - 0.04	0.03 - 0.05
灰铸铁 Grey cast iron	Tl25 / AS45	100 - 160	0.03 - 0.06	0.05 - 0.10

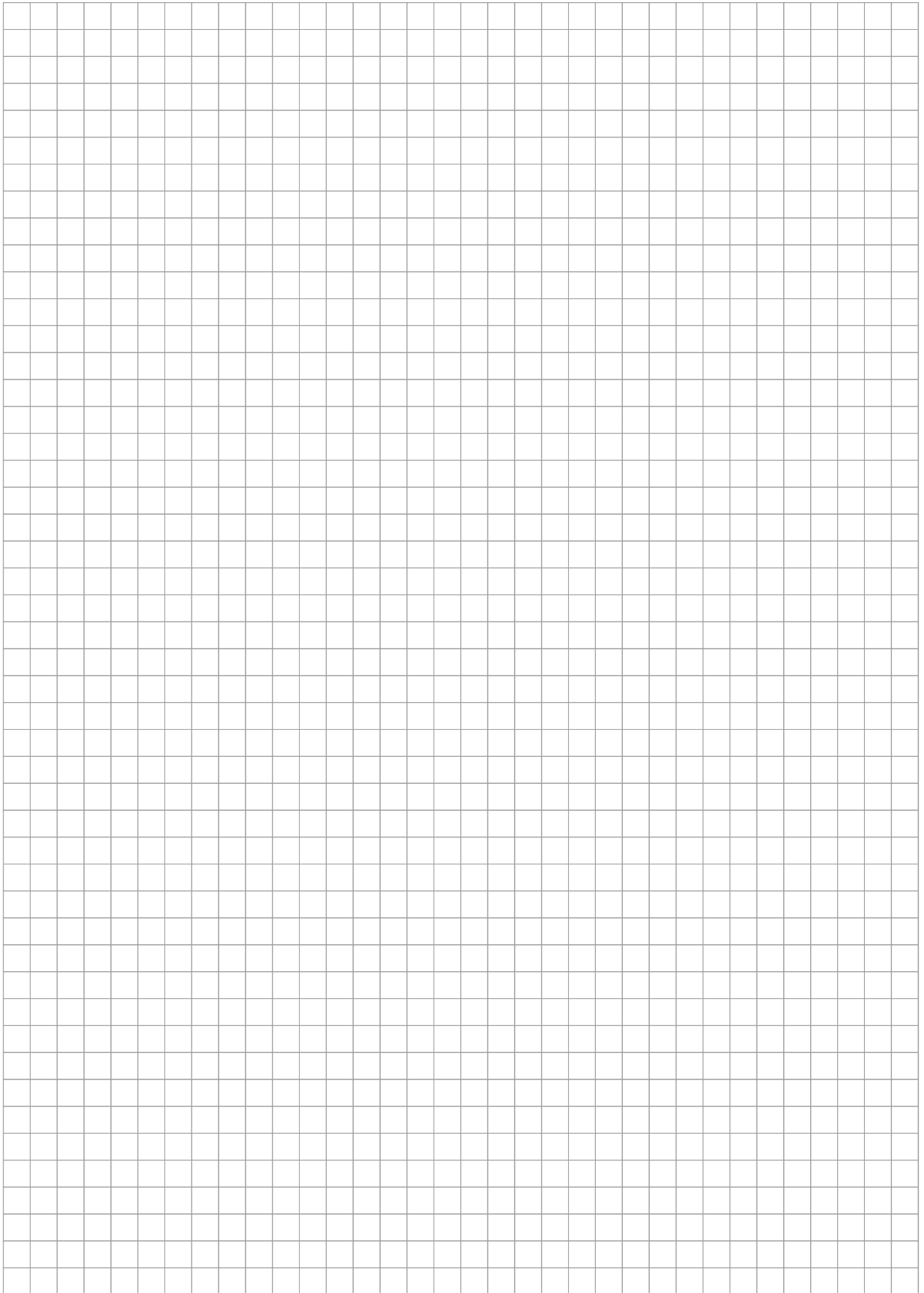
T型槽倒角

Chamfering of T-slots

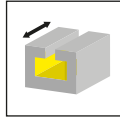
工件材质 Workpiece material	刀具材质 Cutting material	v_c (m/min)	f_z (mm), Z=3
碳钢 Carbon steel	Tl25 / AS45	300 - 400	0.10 - 0.13
合金钢 Alloyed steel	Tl25 / AS45	180 - 300	0.13 - 0.21
灰铸铁 Grey cast iron	Tl25 / AS45	140 - 240	0.16 - 0.27

该切削参数只适用于防振的标准硬质合金刀杆

The cutting data is only valid for standard carbide toolholders (shanks) listed in this chapter.

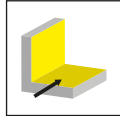


杆式铣刀
End Mill
M406/M409



页/Page
428-429

可转位刀片
Indexable insert
406/409



页/Page
430-431

技术信息
Technical Instructions

页/Page
432

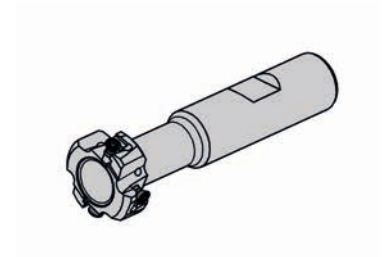
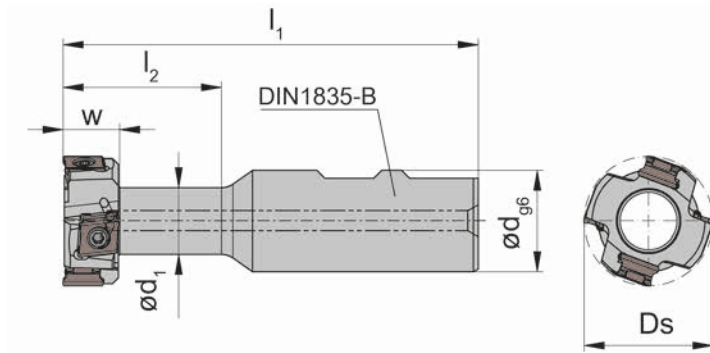
M406/M409



T型槽铣刀
带可转位刀片
切削刃 Ø 25-50 mm

**T-slots Cutter with
exchangeable inserts**
cutting edge Ø 25-50 mm

J



图示=右手型
Picture = right hand cutting version

产品型号 Part number	Z	Z _{eff}	Ds	d	l ₁	l ₂	d ₁	w	a	n _{max}	右手型刀片 right hand insert	左手型刀片 left hand insert	HWS
M406.025.11.D16.1.02.B	4	2	25	16	83	31	12.4	11	12.9	19000	2x R406.063.U...	2x L406.063.U...	40600R • 40600L

Ø25mm以上为2个夹持面
from Ø 25 mm 2 clamping flats

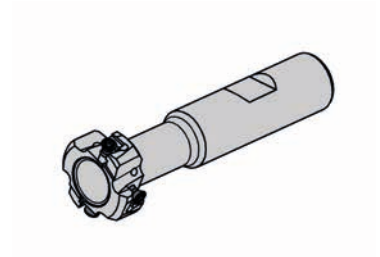
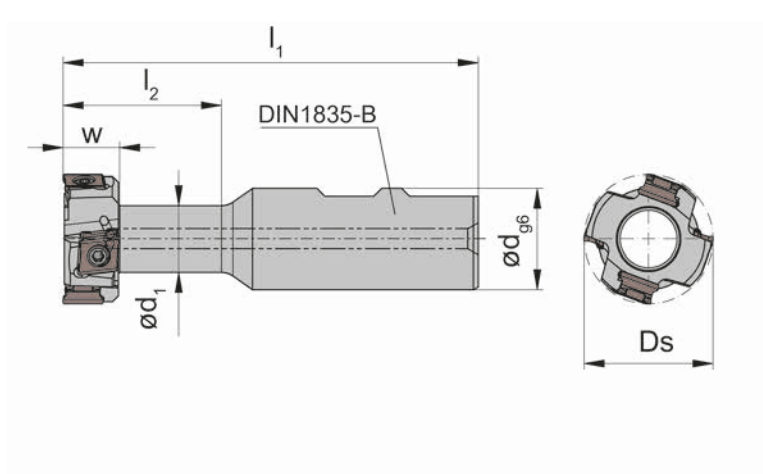
J

配件
Spare Parts

杆式铣刀 End Mill	锁紧螺钉 Clamping Screw	TORX PLUS®扳手 TORX PLUS® Wrench
M406.025.11.D16.1.02.B	030.2608.T8P	T8PL

杆式铣刀 End Mill

M409



图示=右手型
Picture = right hand cutting version

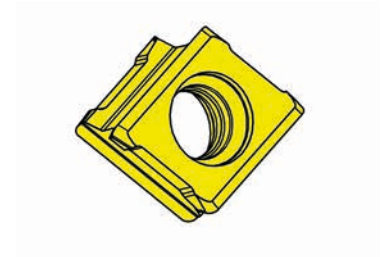
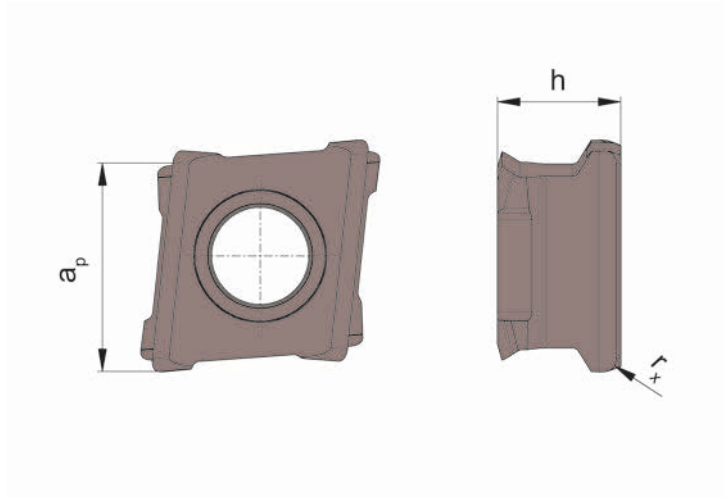
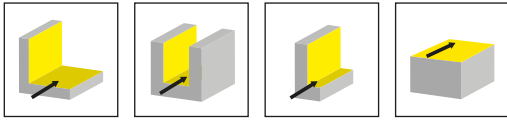
产品型号 Part number	Z	Z _{eff}	Ds	d	l ₁	l ₂	d ₁	w	a	n _{max}	右手型刀片 right hand insert	左手型刀片 left hand insert	HWS
M409.032.14.D25.1.02.B	4	2	32	25	103	39	16.4	14	16.9	15600	2x R409.093.U...	2x L409.093.U...	40900R • 40900L
M409.040.18.D25.1.02.B	4	2	40	25	109	48	20.4	18	20.9	13900	2x R409.093.U...	2x L409.093.U...	40900R • 40900L
M409.050.22.D32.1.02.B	6	2	50	32	125	59	26.4	22	26.9	12500	4x R409.093.U...	2x L409.093.U...	40900R • 40900L

Ø25mm以上为2个夹持面
from Ø 25 mm 2 clamping flats

配件 Spare Parts

杆式铣刀 End Mill	锁紧螺钉 Clamping Screw	TORX PLUS®扳手 TORX PLUS® Wrench
M409...	030.3511.T10P	T10PL





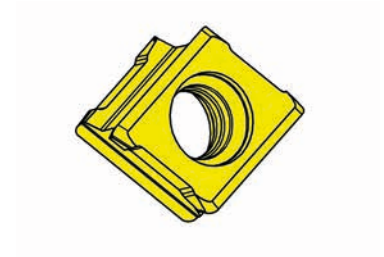
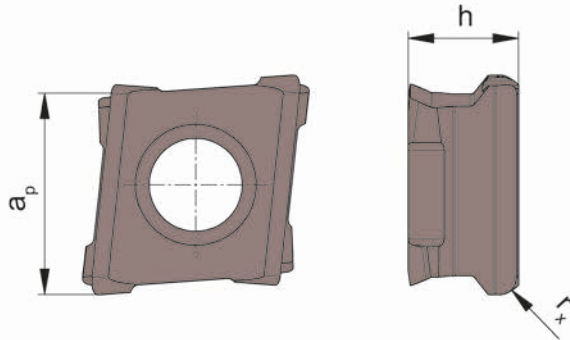
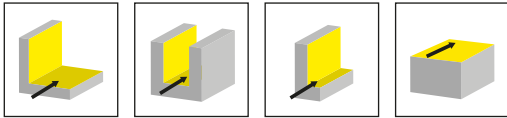
硬质合金牌号
Carbide grades

▲ 库存
on stock

△ 4周
4 weeks

产品型号 Part number	a_p	h	r_x	HIS	AS46	AS4B
R406.063.U.02	6.3	3.85	0.2	40600R	△	▲
R406.063.U.04	6.3	3.85	0.4	40600R	▲	▲
R406.063.U.08	6.3	3.85	0.8	40600R	▲	▲
L406.063.U.02	6.3	3.85	0.2	40600L	△	▲
L406.063.U.04	6.3	3.85	0.4	40600L	▲	▲
L406.063.U.08	6.3	3.85	0.8	40600L	▲	▲
					P	○ ●
					M	○ ●
					K	● ●
					N	○ ○
					S	○ ●
					H	- -

4个切削刃刀片
with 4 usable cutting edges



硬质合金牌号
Carbide grades

▲ 库存
on stock

△ 4周
4 weeks

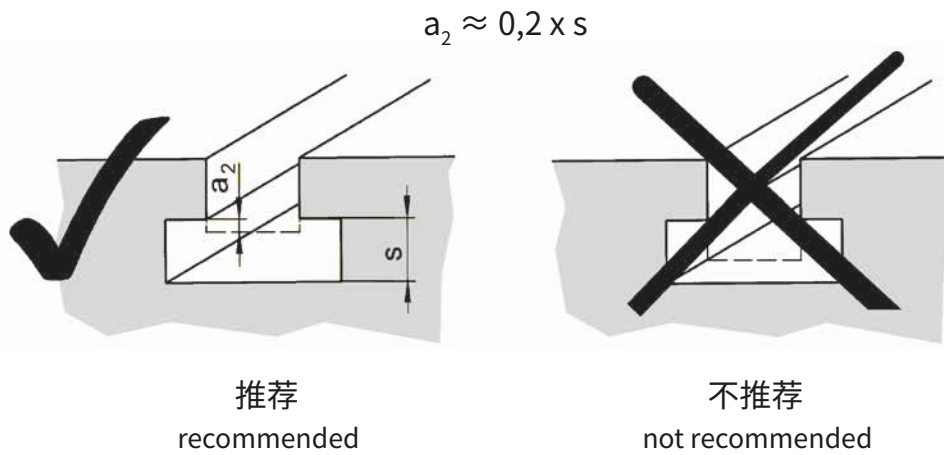
产品型号 Part number	a_p	h	r_x	HIS	AS46	AS4B
R409.093.U.04	9.3	5.2	0.4	40900R	▲	▲
R409.093.U.08	9.3	5.2	0.8	40900R	▲	▲
R409.093.U.12	9.3	5.2	1.2	40900R	▲	▲
L409.093.U.04	9.3	5.2	0.4	40900L	▲	▲
L409.093.U.08	9.3	5.2	0.8	40900L	▲	▲
L409.093.U.12	9.3	5.2	1.2	40900L		▲

4个切削刃刀片
with 4 usable cutting edges

P	o	•
M	o	•
K	•	•
N	o	o
S	o	•
H	-	-

应用技术

Application Technology



切削参数

Cutting data

T型槽铣削 Ø25 / Ø32 mm

Milling of T-Slots

工件材质 Workpiece material	刀具材质 Cutting material	v_c (m/min)	f_z (mm)
热处理钢 heat-treatable steel	AS4B	120 - 160	0.07 - 0.14
灰铸铁 Grey cast iron	AS4B	100 - 160	0.07 - 0.14

T型槽铣削 Ø40 / Ø50 mm

Milling of T-Slots

工件材质 Workpiece material	刀具材质 Cutting material	v_c (m/min)	f_z (mm)
热处理钢 heat-treatable steel	AS4B	60 - 90	0.06 - 0.08
灰铸铁 Grey cast iron	AS4B	90 - 140	0.06 - 0.08



系列/System

页/Page

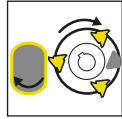
M275

434

381

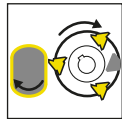
440

铣刀
Cutter
M275



页/Page
436-437

可转位刀片
Indexable insert
S275



页/Page
438

M275

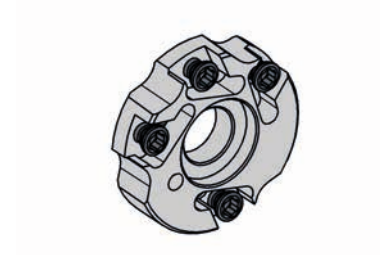
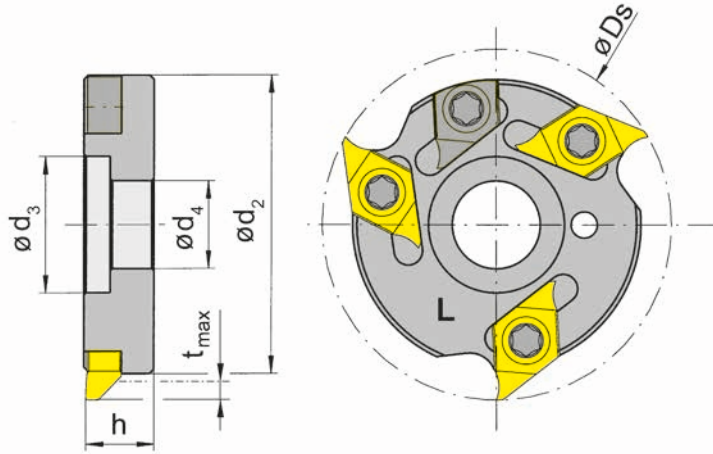
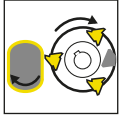


铣刀

切削刃自 $\varnothing 40$ mm

Cutter

from cutting edge $\varnothing 40$ mm



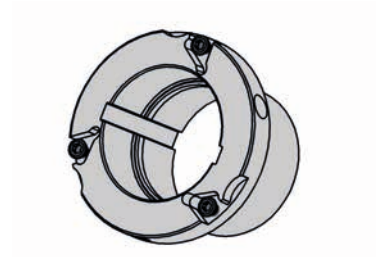
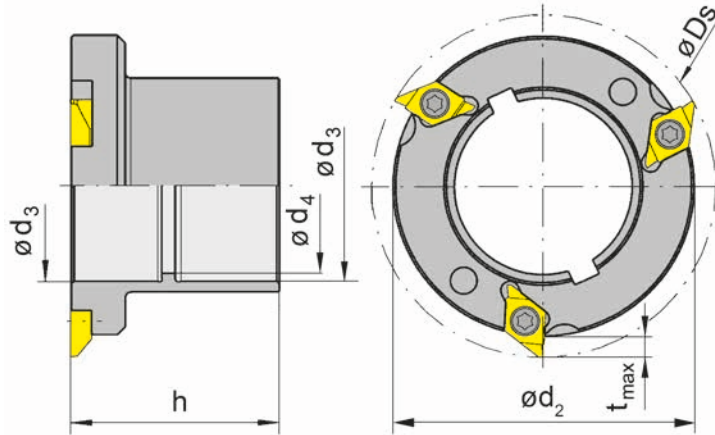
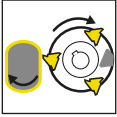
图示=左手型切削
Picture = left hand cutting version

产品型号 Part number	Ds	d ₂	h	t _{max}	d ₄	d ₃	机床型号 Machine type	HWS
RM275.D040.10.04	40	33	7.9	3	10	15.5	EvoDECO 10	275041R
LM275.D040.10.04	40	33	7.9	3	10	15.5	EvoDECO 10	275041L

适用机床: Tornos
for machine: Tornos

配件
Spare Parts

铣刀 Cutter	锁紧螺钉 Clamping Screw	TORX PLUS®扳手 TORX PLUS® Wrench	左手刀平衡元件 Left hand balancing element	右手刀平衡元件 Right hand balancing element
LM275.D040.10.04	030.357P.0315	T10PL	LS275.AT41.HM	
RM275.D040.10.04	030.357P.0315	T10PL		RS275.AT41.HM



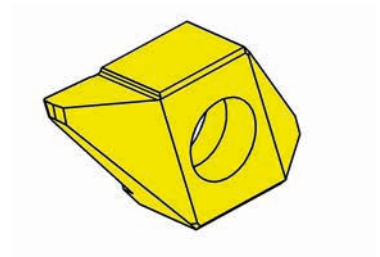
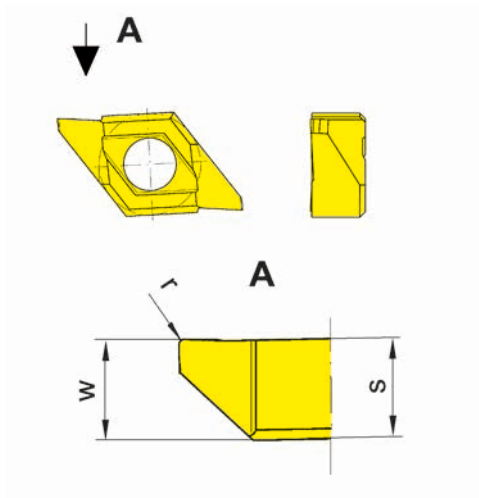
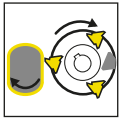
图示=右手型
Picture = right hand cutting version

产品型号 Part number	Ds	d ₂	h	t _{max}	d ₄	d ₃	机床型号 Machine type	HWS
RM275.T064.3325.03	64	56	36	3	10	15.5	EvoDECO 10	275041R

适用机床: **Tornos**
for machine: Tornos

配件
Spare Parts

铣刀 Cutter	锁紧螺钉 Clamping Screw	TORX PLUS®扳手 TORX PLUS® Wrench
RM275.T064.3325.03	3.5.10T10P	T10PL



R=右手型-如图
R = right hand version shown

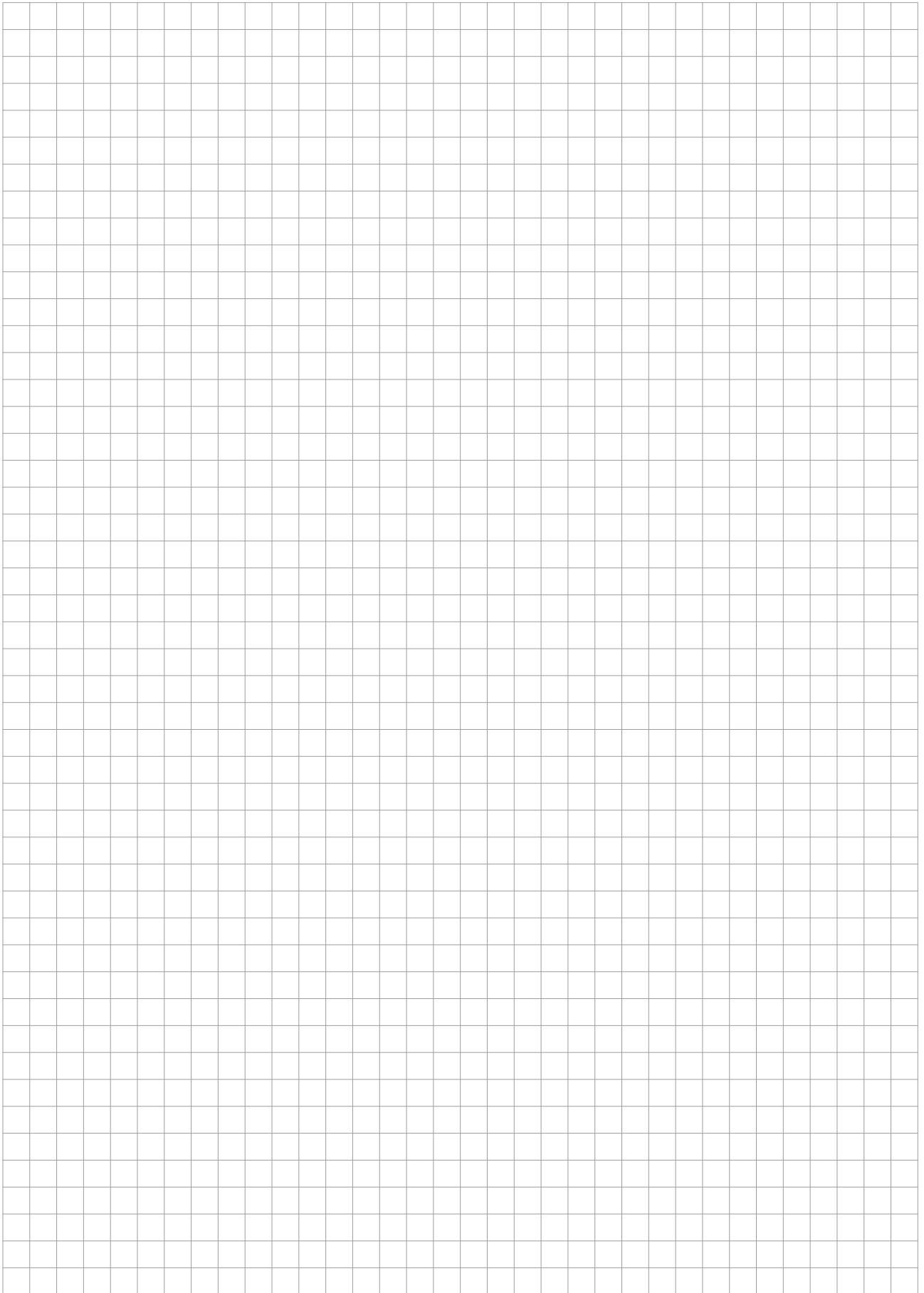
L=左手型
L = left hand version

▲ 库存
on stock

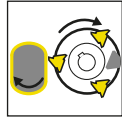
硬质合金牌号
Carbide grades
▲ 4周
4 weeks

产品型号 Part number	w	r	s	HIS	MG12	AS45	T125
RS275.MK13.M0	1.3	0.2	3.9	275041R	Δ	▲	▲
LS275.MK13.M0	1.3	0.2	3.9	275041L	Δ	▲	▲
					P	o	●
					M	-	●
					K	-	●
					N	-	o
					S	-	●
					H	-	-

K

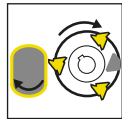


铣刀
Cutter
381



页/Page
442-454

可转位刀片
Indexable insert
N314/314



页/Page
455-456

技术信息
Technical Instructions

页/Page
457-462

概述
Overview

页/Page
463-464

381



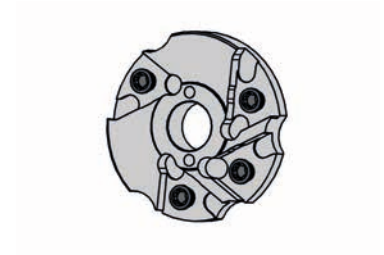
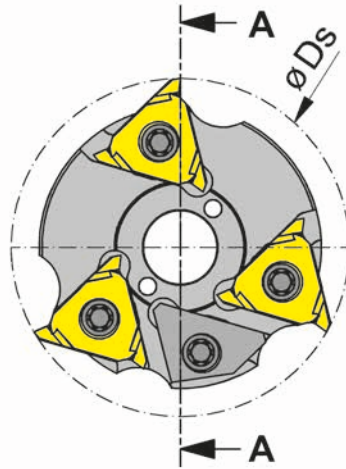
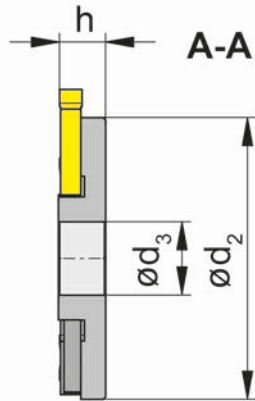
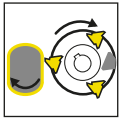
铣刀

切削刃自 $\varnothing 60$ mm

Cutter

from cutting edge $\varnothing 60$ mm

K



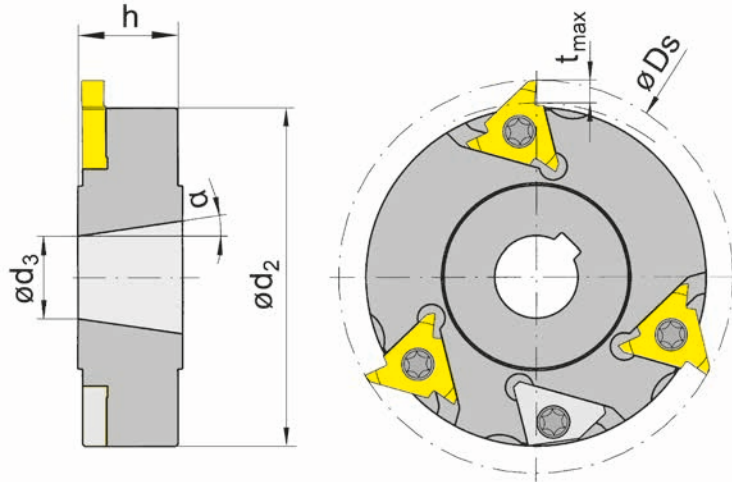
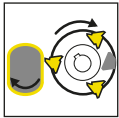
图示=左手型切削
Picture = left hand cutting version

产品型号 Part number	Ds	d ₂	h	t _{max}	d ₃	机床型号 Machine type	HWS
L381.A060.13.04	60	50	8.2	4.5	13	Star SR-20J	314027N

用于机床: Star
for machine: Star

配件
Spare Parts

铣刀 Cutter	锁紧螺钉 Clamping Screw	TORX PLUS®扳手 TORX PLUS® Wrench	左手刀平衡元件 Left hand balancing element
L381.A060.13.04	5F.08T20P	T20PQ	L314.AT30.HM



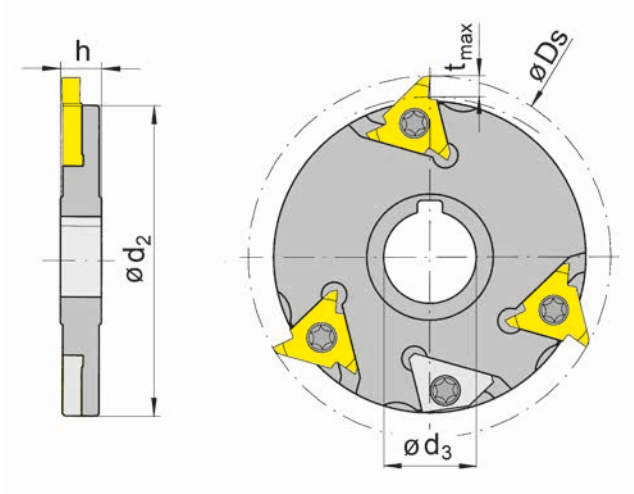
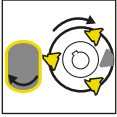
图示=左手型切削
Picture = left hand cutting version

产品型号 Part number	D _s	d ₂	h	α	t _{max}	d ₃	机床型号 Machine type	HWS
L381.G070.15.04	70	58	15	8.16°	5	11.5	GLD25/GD32	314041L
L381.G086.25.04	86	74	23	8.16°	5	18	GM20-6,-35-8/GMC35	314041L
L381.G098.26.04	98	86	23	8.32°	5	20	GM35-6,-35-8,-42-6/GMC35	314041L

适用机床: **Gildemeister**
for machine: Gildemeister

配件
Spare Parts

铣刀 Cutter	锁紧螺钉 Clamping Screw	TORX PLUS®扳手 TORX PLUS® Wrench	平衡块 Balancing element
L381.G070.15.04	5.10T20P	T20PQ	N314.AT40.HM
L381.G...	5.12T20P	T20PQ	N314.AT40.HM



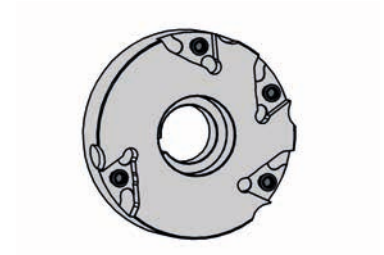
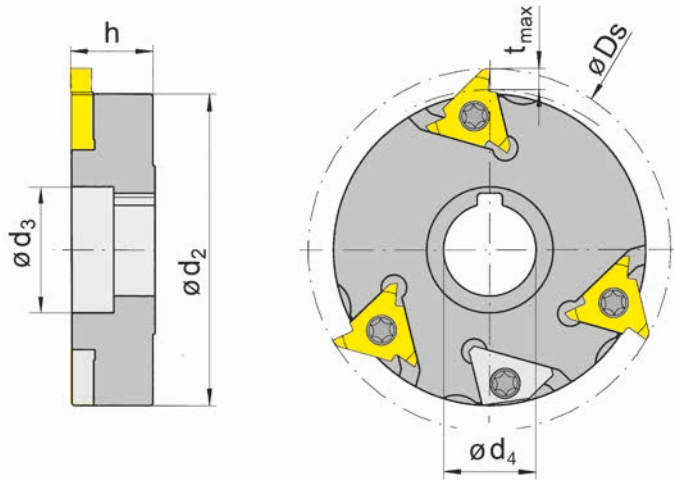
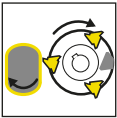
图示=左手型切削
Picture = left hand cutting version

产品型号 Part number	Ds	d ₂	h	t _{max}	d ₃	机床型号 Machine type	HWS
L381.G080.16.04	80	68	9	5	16	SPRINT 20/32	314027N

适用机床: **Gildemeister**
for machine: Gildemeister

配件
Spare Parts

铣刀 Cutter	锁紧螺钉 Clamping Screw	TORX PLUS®扳手 TORX PLUS® Wrench	左手刀平衡元件 Left hand balancing element
L381.G080.16.04	5F.08T20P	T20PQ	L314.AT30.HM



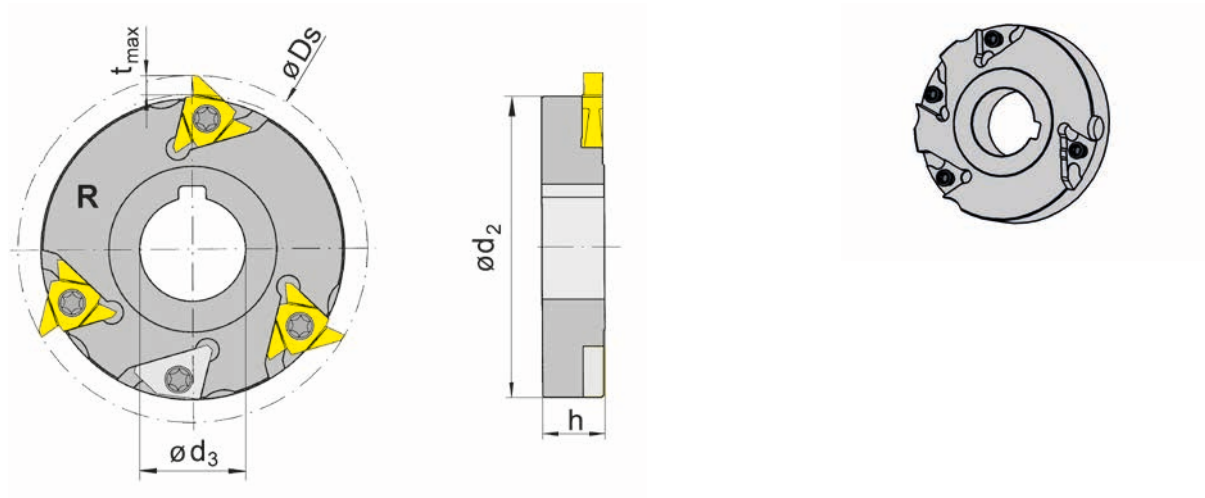
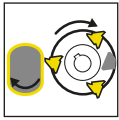
图示=左手型切削
Picture = left hand cutting version

产品型号 Part number	Ds	d ₂	h	t _{max}	d ₄	d ₃	机床型号 Machine type	HWS
L381.G090.22.04	90	78	20	5	22	30	SPRINT 32L/-42L	314041L

适用机床: **Gildemeister**
for machine: Gildemeister

配件
Spare Parts

铣刀 Cutter	锁紧螺钉 Clamping Screw	TORX PLUS®扳手 TORX PLUS® Wrench	平衡块 Balancing element
L381.G090.22.04	5.12T20P	T20PQ	N314.AT40.HM



图示=右手型

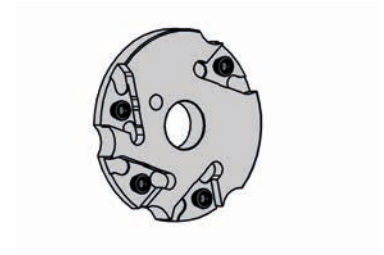
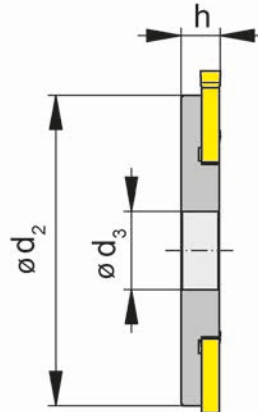
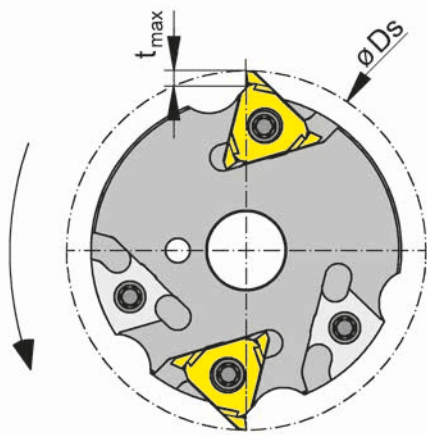
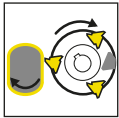
Picture = right hand cutting version

产品型号 Part number	Ds	d ₂	h	t _{max}	d ₃	机床型号 Machine type	HWS
R381.X090.27.04	90	78	16.2	5	27	Index ABC	314041R
L381.X090.27.04	90	78	16.2	5	27	Index ABC	314041L

适用机床: **INDEX**
for machine: INDEX

配件
Spare Parts

铣刀 Cutter	锁紧螺钉 Clamping Screw	TORX PLUS®扳手 TORX PLUS® Wrench	平衡块 Balancing element
R/L381.X090.27.04	5.12T20P	T20PQ	020.0314.1531



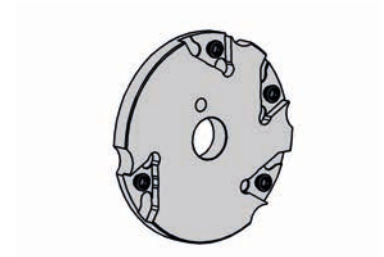
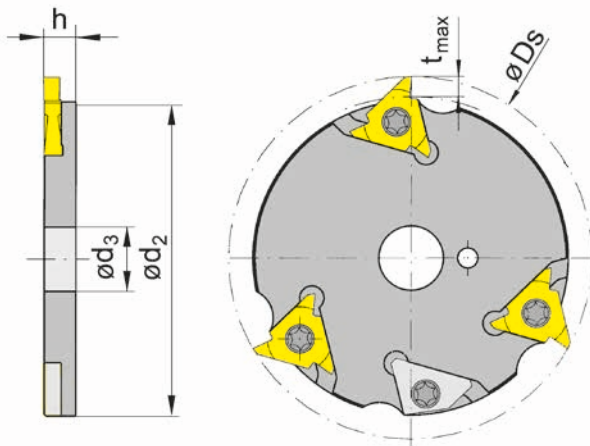
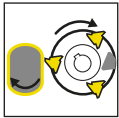
图示=右手型
Picture = right hand cutting version

产品型号 Part number	Ds	d ₂	h	t _{max}	d ₃	机床型号 Machine type	HWS
R381.X073.16.04	73.5	63.5	8	5	16	Index MS25	314027N

适用机床: **INDEX**
for machine: INDEX

配件
Spare Parts

铣刀 Cutter	锁紧螺钉 Clamping Screw	TORX PLUS®扳手 TORX PLUS® Wrench	右手刀平衡元件 Right hand balancing element
R381.X073.16.04	5F.08T20P	T20PQ	R314.AT30.HM



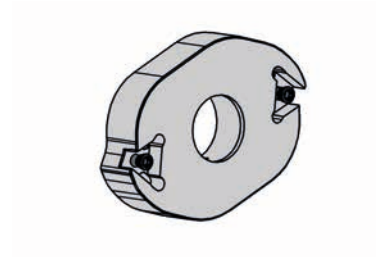
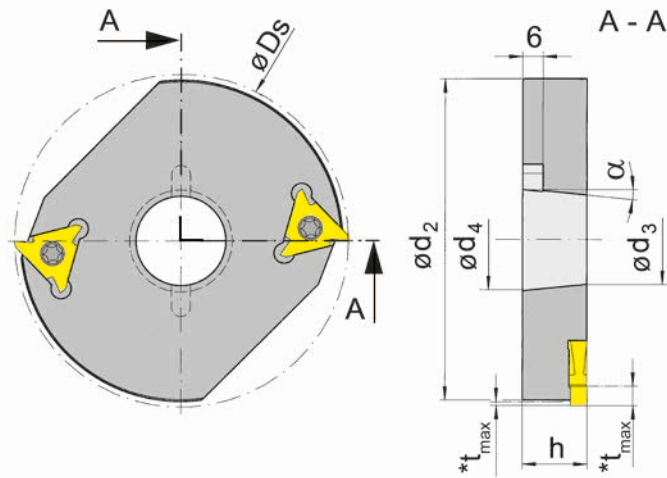
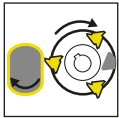
图示=左手型切削
Picture = left hand cutting version

产品型号 Part number	Ds	d ₂	h	t _{max}	d ₃	机床型号 Machine type	HWS
L381.N090.16.04	90	80	7.8	5	16	WT250	314027N

适用机床: **Nakamura**
for machine: Nakamura

配件
Spare Parts

铣刀 Cutter	锁紧螺钉 Clamping Screw	TORX PLUS®扳手 TORX PLUS® Wrench	左手刀平衡元件 Left hand balancing element
L381.N090.16.04	5F.08T20P	T20PQ	L314.AT30.HM



图示=左手型切削
Picture = left hand cutting version

产品型号 Part number	Ds	d ₂	h	α	*t _{max}	d ₃	机床型号 Machine type	HWS
L381.S078.30.02	78	66	19	5.42°	5	26.3	SG18, SG20, AG18	314052L
L381.S098.30.02	98	94.6	19	5.42°	5	26.3	SG20/SF26,-S,-L/SE18/AF26,32	314052L
L381.S118.30.02	118	115	19	5.42°	5	26.3	SF32,42,51,67/AF42	314052L

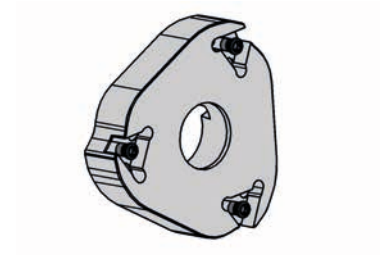
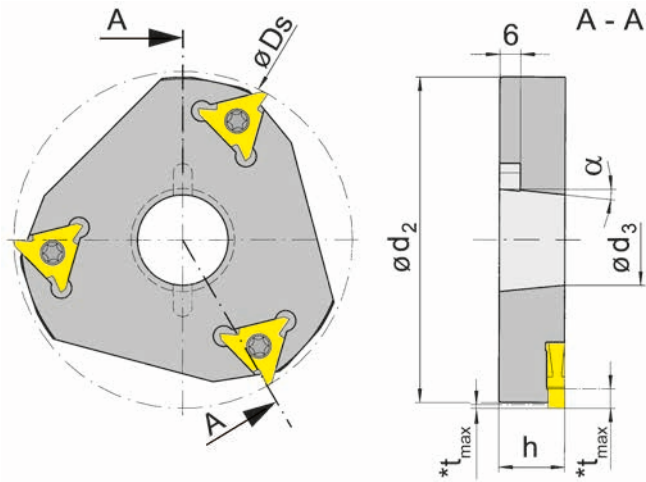
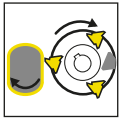
适用机床: A.H. Schütte
for machine: A.H. Schütte

增强型接口, 可轴向进给
reinforced pocket, feed in axial direction

* t_{max}侧铣削=5.0mm/槽铣削=1.2mm
* t_{max} Side Milling = 5,0 mm / Groove Milling = 1,2 mm

配件
Spare Parts

铣刀 Cutter	锁紧螺钉 Clamping Screw	TORX PLUS®扳手 TORX PLUS® Wrench
L381...	5.15T20P	T20PQ



图示=左手型切削
Picture = left hand cutting version

产品型号 Part number	D _s	d ₂	h	α	*t _{max}	d ₃	机床型号 Machine type	HWS
L381.S078.30.03	78	77	19	5.42°	5	26.3	SG18, SG20, AG18	314052L
L381.S098.30.03	98	94.6	19	5.42°	5	26.3	SG20/SF26,-S,-L/SE18/AF26,32	314052L
L381.S118.30.03	118	115	19	5.42°	5	26.3	SF32,42,51,67/AF42	314052L

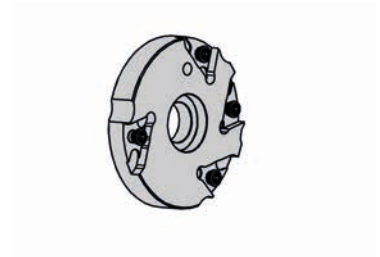
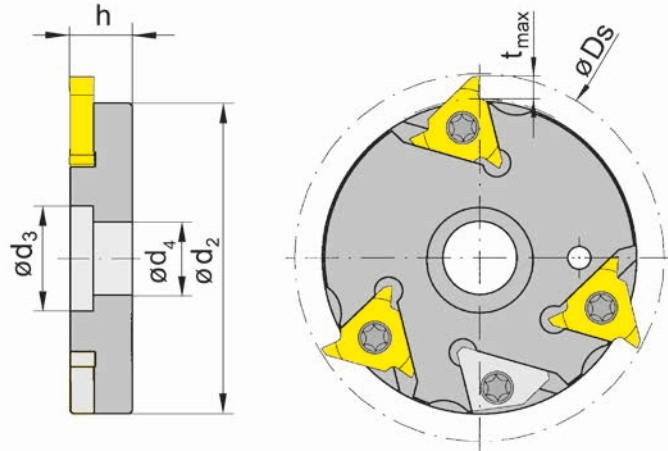
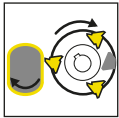
适用机床: A.H. Schütte
for machine: A.H. Schütte

增强型接口, 可轴向进给
reinforced pocket, feed in axial direction

* t_{max}侧铣削=5.0mm/槽铣削=1.2mm
* t_{max} Side Milling = 5,0 mm / Groove Milling = 1,2 mm

配件
Spare Parts

铣刀 Cutter	锁紧螺钉 Clamping Screw	TORX PLUS®扳手 TORX PLUS® Wrench
L381...	5.15T20P	T20PQ



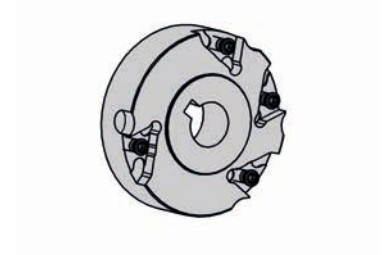
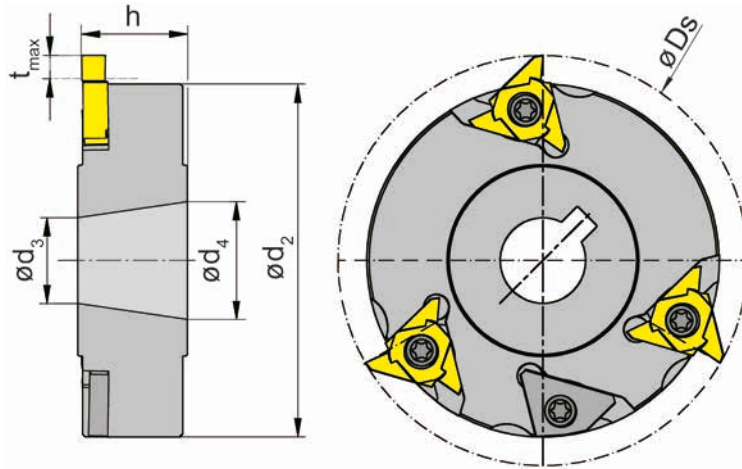
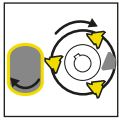
图示=左手型切削
Picture = left hand cutting version

产品型号 Part number	Ds	d ₂	h	t _{max}	d ₄	d ₃	机床型号 Machine type	HWS
L381.D080.16.04	80	57.5	13.6	5	16	23	DECO 2000/DECO 13/20/26	314027N

适用机床: Tornos
for machine: Tornos

配件
Spare Parts

铣刀 Cutter	锁紧螺钉 Clamping Screw	TORX PLUS®扳手 TORX PLUS® Wrench	左手刀平衡元件 Left hand balancing element
L381.D080.16.04	5F.08T20P	T20PQ	L314.AT30.HM



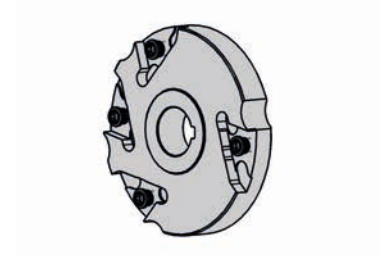
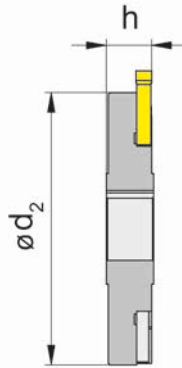
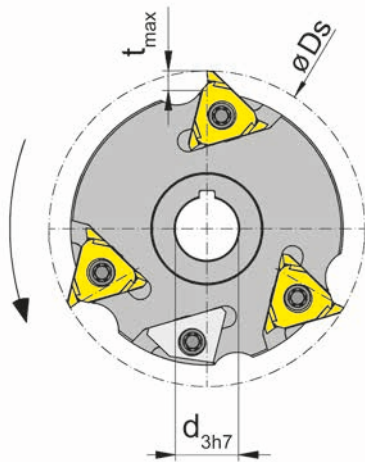
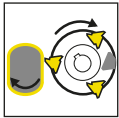
图示=左手型切削
Picture = left hand cutting version

产品型号 Part number	Ds	d ₂	h	t _{max}	d ₄	d ₃	机床型号 Machine type	HWS
L381.D086.25.04	86	74	23	5	24.7	18	Tornos Multi-Deco	314041L

适用机床: Tornos
for machine: Tornos

配件
Spare Parts

铣刀 Cutter	锁紧螺钉 Clamping Screw	TORX PLUS®扳手 TORX PLUS® Wrench	平衡块 Balancing element
L381.D086.25.04	5.12T20P	T20PQ	N314.AT40.HM



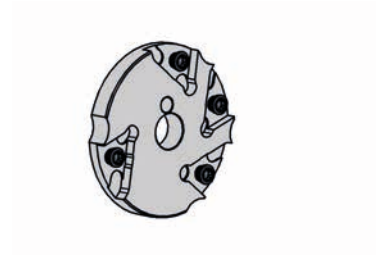
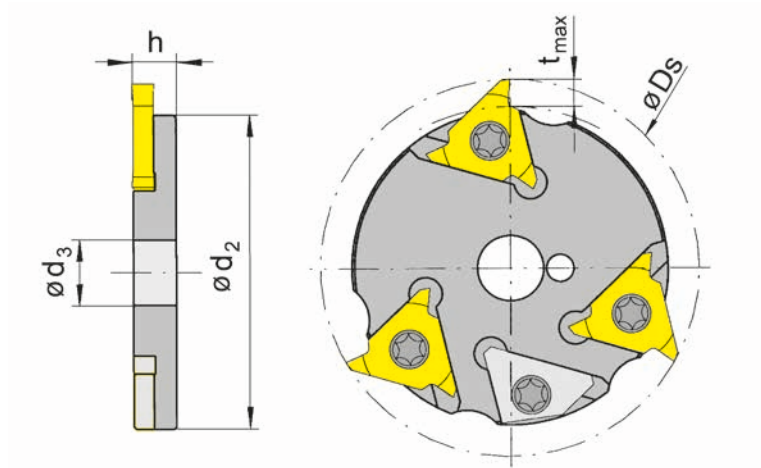
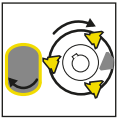
图示=右手型
Picture = right hand cutting version

产品型号 Part number	Ds	d ₂	h	t _{max}	d ₃	机床型号 Machine type	HWS
R381.T080.16.04	80	69	12	5	16	TRAUB TNL18	314027N

适用机床: **Traub**
for machine: Traub

配件
Spare Parts

铣刀 Cutter	锁紧螺钉 Clamping Screw	TORX PLUS®扳手 TORX PLUS® Wrench	右手刀平衡元件 Right hand balancing element
R381.T080.16.04	5F.08T20P	T20PQ	R314.AT30.HM



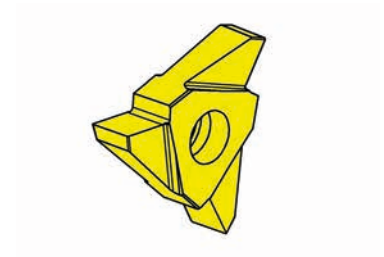
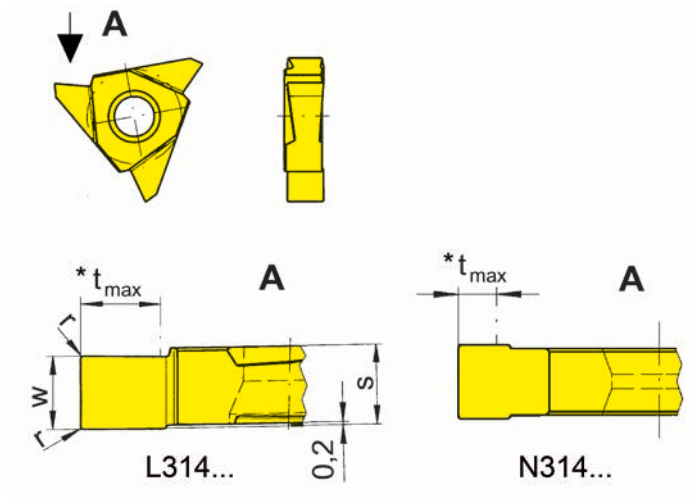
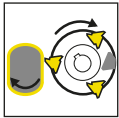
图示=左手型切削
Picture = left hand cutting version

产品型号 Part number	Ds	d ₂	h	t _{max}	d ₃	机床型号 Machine type	HWS
L381.T069.12.04	69	57.5	8	5	12	TNL12-7/TNL26/TNK36	314027N

适用机床: **Traub**
for machine: Traub

配件
Spare Parts

铣刀 Cutter	锁紧螺钉 Clamping Screw	TORX PLUS®扳手 TORX PLUS® Wrench	左手刀平衡元件 Left hand balancing element
L381.T069.12.04	5F.08T20P	T20PQ	L314.AT30.HM



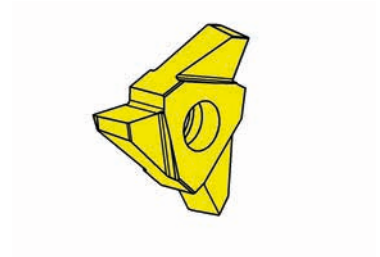
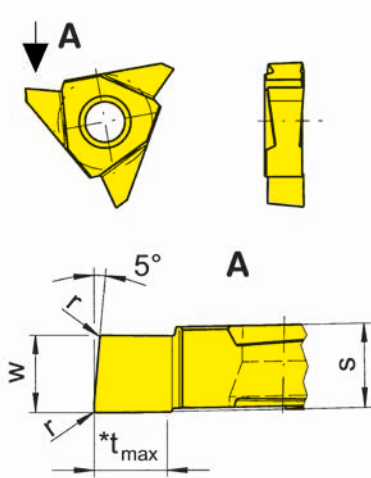
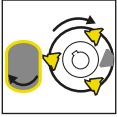
硬质合金牌号
Carbide grades

▲ 库存
on stock

△ 4周
4 weeks

产品型号 Part number	w	r	s	HIS	硬质合金牌号 Carbide grades			
					MG12	AS45	TI25	TN35
R314.MK50.20	5	0.15	5.2	314041R		▲	▲	
L314.MK50.20	5	0.15	5.2	314041L		▲	▲	
L314.MK70.M0	7	0.15	7.4	314052L		▲	▲	▲
N314.MK40.20	4	-	3.6	314027N	▲	▲	▲	△
					P	o	•	•
					M	-	•	•
					K	-	•	•
					N	-	o	•
					S	-	•	•
					H	-	-	-

t _{max}	槽铣削 Groove Milling	横向铣削 Side Milling
N314.MK40.20	siehe Fräser/see cutter	2.5
R/L314.MK50.20	siehe Fräser/see cutter	5
L314.MK70.M0	siehe Fräser/see cutter	5



L=左手型-如图
L = left hand version shown

R=右手型
R = right hand version

▲ 库存
on stock

硬质合金牌号
Carbide grades
△ 4周
4 weeks

产品型号 Part number	w	r	s	t _{max}	HIS	AS45	TH35	TI25
R314.MK50.5.20	5	0.15	5.4	5	314041R	▲		▲
R314.MK50.20.L	5.4	0.6	5.4	5	314041R	▲	△	▲
L314.MK50.5.20	5	0.15	5.4	5	314041L	▲		▲
L314.MK50.20.L	5.4	0.6	5.4	5	314041L	▲		▲
P	●	●	●					
M	●	●	●					
K	●	●	●					
N	○	●	●					
S	●	●	●					
H	-	-	-					

多边形铣削的工作原理

多边形铣削介绍了使用多边形铣削刀具在CNC车床、Swiss机床或多主轴机床上加工旋转工件。

工件(主轴)和铣刀(动力座)必须同步转动。

该操作仅仅适用于常规铣削!

面数决定于工件和铣刀的转速比以及铣刀上的刀片数量。

当转速为2:1时,产生的平面为微凸型。这形状误差适合大多数应用,例如对边型。

当转速为1:1时,平面凸起较大,将不适合对边型。

当转速为3:1时,平面有较大的凹陷,也不适合对边型。

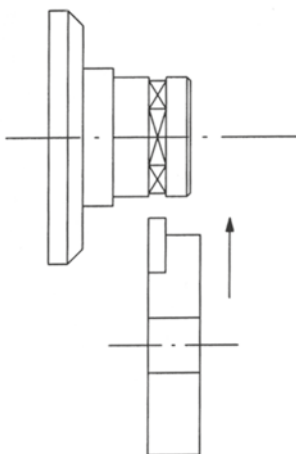
根据这一点可知,工件上的平面数是刀片数的两倍。

必须通过参数计算平面形状:

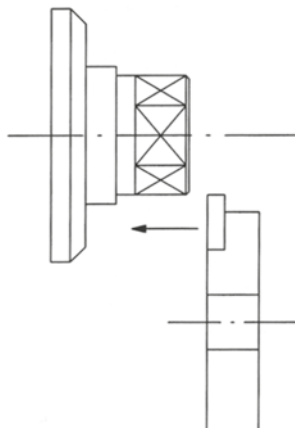
1. 多边形铣刀的铣削直径
2. 对边型尺寸
3. 工件加工前直径
4. 面数
5. 工件和铣刀的转速比

可通过切槽或车削加工出这些平面,通过仿形去倒角(去毛刺)。

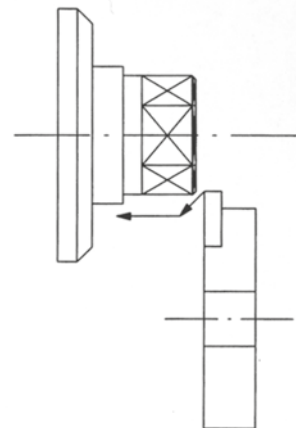
槽铣削



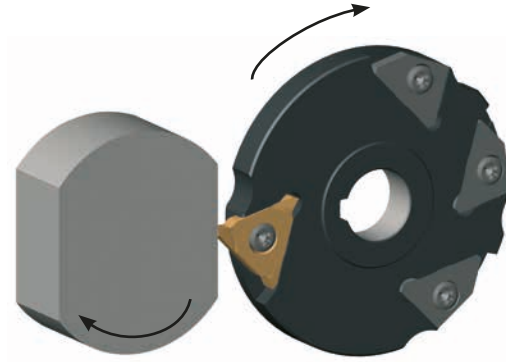
横向铣削



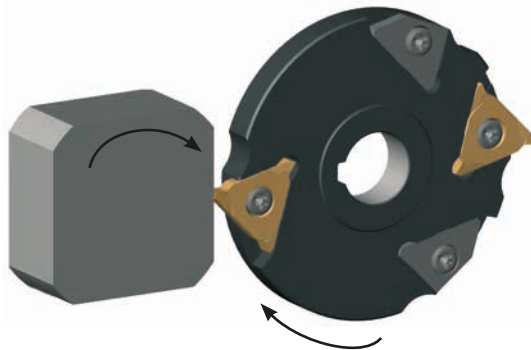
仿形和横向铣削



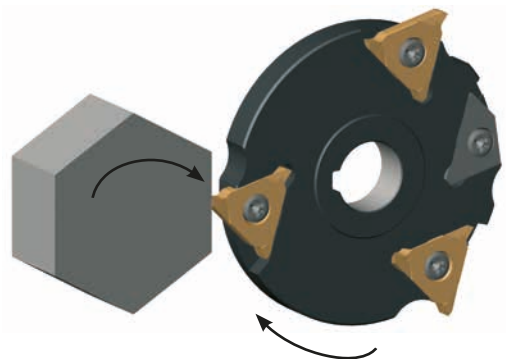
两面体, 使用1个刀片, 刀盘转速 2:1 主轴转速.



四面体, 使用2个刀片. 刀盘转速 2:1 主轴转速.



六面体, 使用3个刀片, 刀盘转速 2:1 主轴转速.



The concept of Polygon Milling

Polygon milling describes the manufacturing of flats while rotating components with polygon milling cutters on CNC lathes, Swiss Automatics lathes or Multi Spindle machines. The component (main spindle) and the milling cutter (live tool) have to run with synchronized rotations.

The operation only works in conventional milling!

The number of flats depends on the rotation ratio between component and milling cutter as well as on the number of inserts of the milling cutter.

At a revolution ratio of 2:1, the shape of the produced flats are little convex. The form error is suitable for most applications such as across-flats.

At a revolution ratio of 1:1, the shape of the produced flats are heavily convex. This shape is not suitable for across-flats.

At a revolution ratio of 3:1, the shape of the produced flats are heavily concave. This shape is as well not suitable for across-flats.

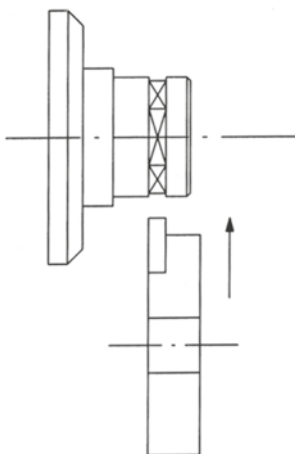
According to this, the number of flats at the component is twice the number of cutting inserts on the milling cutter.

To calculate the shape of the flats following parameter are necessary:

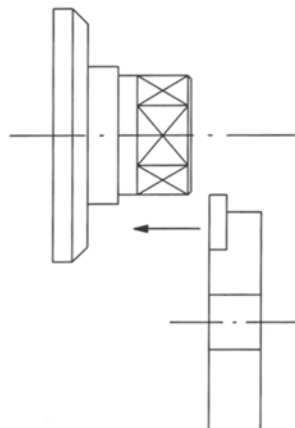
1. Cutting diameter of the polygon milling cutter
2. Across-flats dimension
3. Premachined diameter of the component
4. Number of flats
5. Revolution ratio of component and milling cutter

The flats can be produced by grooving or by turning. Chamfers can be produced by profiling (deburring).

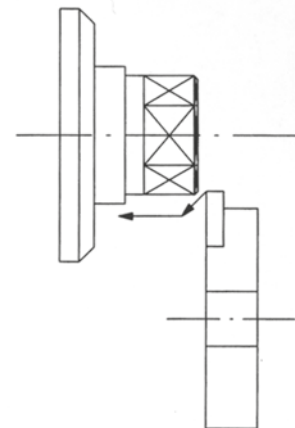
Groove milling



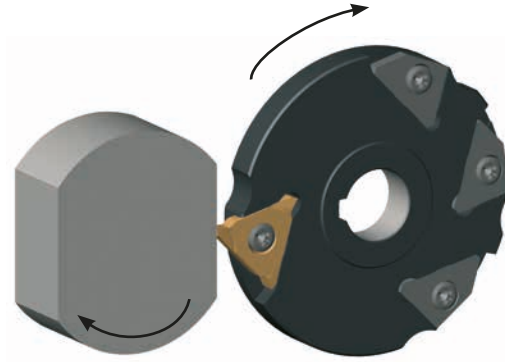
Side milling



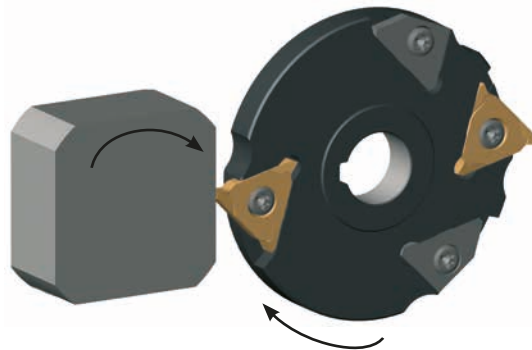
Copymilling and Side milling



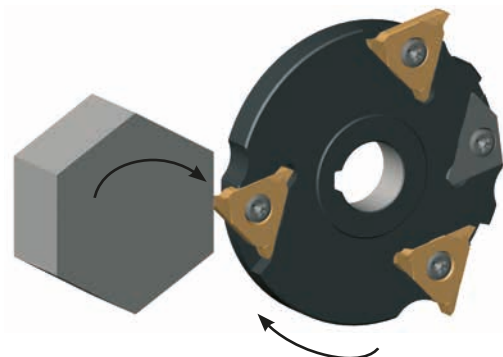
Two flats machined with 1 cutting edge. Revolution ratio 2:1 to the main spindle.



Four flats machined with 2 cutting edges. Revolution ratio 2:1 to the main spindle.



Six flats machined with 3 cutting edges. Revolution ratio 2:1 to the main spindle.



规格	铣刀上刀片数量	比率=刀具:主轴	生成的平面
	1	1:1	不适合, 大凸面
	2 1	1:1 2:1	不适合, 小凸面 非常适合, 小凸面
	3 2 1	1:1 1,5:1 3:1	不适合, 凸面 适合, 凹面 非常适合, 小凹面
	2 1	2:1 4:1	非常适合, 小凸面 不适合, 凹面
	3 2 1	1,66:1 2,5:1 5:1	适合, 凸面 非常适合, 小凹面 不适合, 凹面
	3 2	2:1 3:1	非常适合, 小凸曲面 不适合, 凹曲面
	4 2	2:1 4:1	非常适合, 小凸曲面 不适合, 凹曲面

切削参数

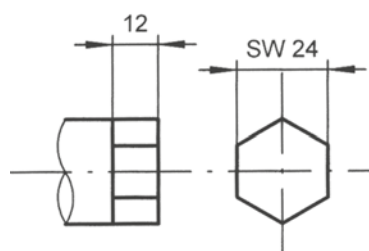
材料	牌号	v_c m/min	进给量 f_z mm	
			横向铣削	槽铣削
Al	TI25, MG12	500 - 1000	0.10 - 0.20	0.05 - 0.10
Ms58	TI25, MG12	500 - 1000	0.10 - 0.20	0.05 - 0.10
9SMnPb28	TH35, TI25, AS45	200 - 500	0.08 - 0.15	0.04 - 0.08
16MnCr5/C45	TH35, TI25, AS45	150 - 250	0.05 - 0.10	0.03 - 0.05

进给率值仅仅适合横向铣削!

切槽工艺中进给率需降低30 - 50%, 同时受刀片宽度影响。

例如:
横向铣削
材料: 钢

铣刀 \varnothing 90 mm
SW 24 mm (\varnothing 27.7 mm)
 $v_{c,eff} = 448.00$ m/min
 $f_z = 0.08$ mm
3 刃, $l = 2:1$
边长: 12 mm
节拍: ~ 2.19 s










工具:

$n_{WZ} = 1372.00$ mm⁻¹
 $v_{cWZ} = 388.25$ m/min

工件:

$n_{WS} = 686.00$ mm⁻¹
 $v_{cWS} = 59.75$ m/min

Form	No. of inserts on the cutter	Ratio = Tool:Spindel	Flats
	1	1 : 1	not suitable, heavily convex
	2 1	1 : 1 2 : 1	not suitable, convex very suitable, little convex
	3 2 1	1 : 1 1,5 : 1 3 : 1	not suitable, convex suitable, convex very suitable, little concave
	2 1	2 : 1 4 : 1	very suitable, little convex not suitable, concave
	3 2 1	1,66 : 1 2,5 : 1 5 : 1	suitable, convex very suitable, little concave not suitable, concave
	3 2	2 : 1 3 : 1	very suitable, little convex not suitable, concave
	4 2	2 : 1 4 : 1	very suitable, little convex not suitable, concave

Cutting data

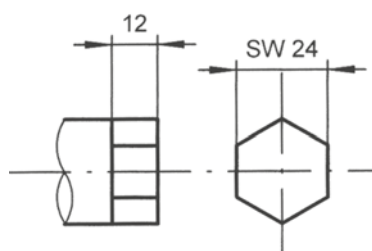
Material	Grades	v_c m/min	Feed rate f_z mm	
			Side milling	Groove milling
Al	TI25, MG12	500 - 1000	0.10 - 0.20	0.05 - 0.10
Ms58	TI25, MG12	500 - 1000	0.10 - 0.20	0.05 - 0.10
9SMnPb28	TH35, TI25, AS45	200 - 500	0.08 - 0.15	0.04 - 0.08
16MnCr5/C45	TH35, TI25, AS45	150 - 250	0.05 - 0.10	0.03 - 0.05

Feed rate values only valid for side milling process!

At groove milling process the feed rate has to be reduced by 30 - 50 %, depending on the insert width!

Example:
Side milling
Material: Steel

Cutter \varnothing 90 mm
SW 24 mm (\varnothing 27.7 mm)
 $v_{c\text{eff}} = 448.00$ m/min
 $f_z = 0.08$ mm
3 Cutting edges, $l = 2:1$
Flat length: 12 mm
Cycle time: ~ 2.19 s



Tool:
 $n_{WZ} = 1372.00$ mm⁻¹
 $v_{cWZ} = 388.25$ m/min

Workpiece:
 $n_{WS} = 686.00$ mm⁻¹
 $v_{cWS} = 59.75$ m/min

生产厂商 Machine manufacturer	机床 Machine	铣刀 Cutter	可转位刀片 Indexable inserts	Z	n _{max} 铣刀 n _{max} Milling cutter
Gildemeister	GD32	L381.G070.15.04	L314.MK50.20 TN35	2/3	13,000 min-1
Gildemeister	GLD25	L381.G070.15.04	L314.MK50.20 TN35	2/3	13,000 min-1
Gildemeister	GM20-6	L381.G086.25.04	L314.MK50.20 TN35	2/3	11,000 min-1
Gildemeister	GM26-6	L381.G080.16.04	L314.MK40.20 TN35	2/3	12,000 min-1
Gildemeister	GM35-6	L381.G098.26.04	L314.MK50.20 TN35	2/3	10,000 min-1
Gildemeister	GM35-8	L381.G086.25.04	L314.MK50.20 TN35	2/3	11,000 min-1
Gildemeister	GM35-8	L381.G098.26.04	L314.MK50.20 TN35	2/3	10,000 min-1
Gildemeister	GM42-6	L381.G098.26.04	L314.MK50.20 TN35	2/3	10,000 min-1
Gildemeister	GMC35	L381.G086.25.04	L314.MK50.20 TN35	2/3	11,000 min-1
Gildemeister	GMC35	L381.G098.26.04	L314.MK50.20 TN35	2/3	10,000 min-1
Gildemeister	SPRINT20/32	L381.G080.16.04	L314.MK40.20 TN35	2/3	12,000 min-1
Gildemeister	SPRINT32L	L381.G090.22.04	L314.MK50.20 TN35	2/3	13,000 min-1
Gildemeister	SPRINT44L	L381.G090.22.04	L314.MK50.20 TN35	2/3	13,000 min-1
INDEX	ABC	R381.X090.27.04	R314.MK50.20 TN35	2/3	11,000 min-1
INDEX	ABC	L381.X090.27.04	L314.MK50.20 TN35	2/3	11,000 min-1
INDEX	MS25	L381.X073.16.04	N314.MK40.20 TN35	2/3	13,000 min-1
NAKAMURA	WT250	L381.N090.16.04	N314.MK40.20 TN35	2/3	11,000 min-1
Alfred H. Schütte	AF26	L381.S098.30.03	L314.MK70.M0 TN35	3	15,000 min-1*
Alfred H. Schütte	AF26	L381.S098.30.02	L314.MK70.M0 TN35	2	15,000 min-1*
Alfred H. Schütte	AF32	L381.S098.30.03	L314.MK70.M0 TN35	3	15,000 min-1*
Alfred H. Schütte	AF32	L381.S098.30.02	L314.MK70.M0 TN35	2	15,000 min-1*
Alfred H. Schütte	AF42	L381.S118.30.03	L314.MK70.M0 TN35	3	12,000 min-1*
Alfred H. Schütte	AF42	L381.S118.30.02	L314.MK70.M0 TN35	2	12,000 min-1*
Alfred H. Schütte	AG18	L381.S078.30.03	L314.MK70.M0 TN35	3	20,000 min-1*
Alfred H. Schütte	AG18	L381.S078.30.02	L314.MK70.M0 TN35	2	20,000 min-1*
Alfred H. Schütte	SE18	L381.S098.30.03	L314.MK70.M0 TN35	3	15,000 min-1*
Alfred H. Schütte	SE18	L381.S098.30.02	L314.MK70.M0 TN35	2	15,000 min-1*
Alfred H. Schütte	SF20	L381.S098.30.03	L314.MK70.M0 TN35	3	15,000 min-1*
Alfred H. Schütte	SF20	L381.S098.30.02	L314.MK70.M0 TN35	2	15,000 min-1*
Alfred H. Schütte	SF26L	L381.S098.30.03	L314.MK70.M0 TN35	3	15,000 min-1*
Alfred H. Schütte	SF26L	L381.S098.30.02	L314.MK70.M0 TN35	2	15,000 min-1*
Alfred H. Schütte	SF26	L381.S098.30.03	L314.MK70.M0 TN35	3	15,000 min-1*
Alfred H. Schütte	SF26S	L381.S098.30.03	L314.MK70.M0 TN35	3	15,000 min-1*
Alfred H. Schütte	SF26S	L381.S098.30.02	L314.MK70.M0 TN35	2	15,000 min-1*
Alfred H. Schütte	SF26	L381.S098.30.02	L314.MK70.M0 TN35	2	15,000 min-1*
Alfred H. Schütte	SF32	L381.S118.30.03	L314.MK70.M0 TN35	3	12,000 min-1*
Alfred H. Schütte	SF32	L381.S118.30.02	L314.MK70.M0 TN35	2	12,000 min-1*
Alfred H. Schütte	SF42	L381.S118.30.03	L314.MK70.M0 TN35	3	12,000 min-1*
Alfred H. Schütte	SF42	L381.S118.30.02	L314.MK70.M0 TN35	2	12,000 min-1*
Alfred H. Schütte	SF51	L381.S118.30.03	L314.MK70.M0 TN35	3	12,000 min-1*
Alfred H. Schütte	SF51	L381.S118.30.02	L314.MK70.M0 TN35	2	12,000 min-1*
Alfred H. Schütte	SF67	L381.S118.30.03	L314.MK70.M0 TN35	3	12,000 min-1*
Alfred H. Schütte	SF67	L381.S118.30.02	L314.MK70.M0 TN35	2	12,000 min-1*



生产厂商 Machine manufacturer	机床 Machine	铣刀 Cutter	可转位刀片 Indexable inserts	Z	n _{max} n _{max} 铣刀 Milling cutter
Alfred H. Schütte	SG18	L381.S078.30.03	L314.MK70.M0 TN35	3	20,000 min-1*
Alfred H. Schütte	SG18	L381.S078.30.02	L314.MK70.M0 TN35	2	20,000 min-1*
Alfred H. Schütte	SG20	L381.S078.30.03	L314.MK70.M0 TN35	3	20,000 min-1*
Alfred H. Schütte	SG20	L381.S078.30.02	L314.MK70.M0 TN35	2	20,000 min-1*
Star	SR-20J	L381.A060.12.04	314.MK40.20	1/3	12,000 min-1
TORNOS	Deco7/10	R/LM275.D040.10.04	R/LS275.MK13.M0 TN35	2/3	15,000 min-1
TORNOS	Deco13	L381.D080.16.04	N314.MK40.20 TN35	2/3	12,000 min-1
TORNOS	Deco20	L381.D080.16.04	N314.MK40.20 TN35	2/3	12,000 min-1
TORNOS	Deco26	L381.D080.16.04	N314.MK40.20 TN35	2/3	12,000 min-1
TORNOS	Deco2000	L381.D080.16.04	N314.MK40.20 TN35	2/3	12,000 min-1
TORNOS	Multi Deco	L381.D086.25.04	L314.MK50.20 TN35	3	15,000 min-1
TRAUB	TNL12-7	RM275.T064.33.03	RS275.MK13.M0TN35	3	13,000 min-1
TRAUB	TNL12-7	L381.T069.12.04	N314.MK40.20 TN35	2/3	13,000 min-1
TRAUB	TNL26	L381.T069.12.04	N314.MK40.20 TN35	2/3	13,000 min-1
TRAUB	TNK36	L381.T069.12.04	N314.MK40.20 TN35	2/3	13,000 min-1

多边形铣削的更详细要求
Polygon cutter for further machines upon request.

* 增强型卡槽
* reinforced pocket



系列/System

页/Page

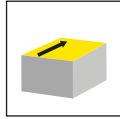
DA

466

DAH

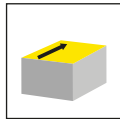
492

杆式铣刀
End Mill
DAM31/DAM32/DAM62



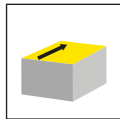
页/Page
468-472

芯轴刀柄式铣刀
Arbour Mounted Cutter
DAM32/DAM62

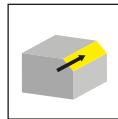


页/Page
473-474

螺纹锁紧铣刀
Screw-in cutter
DAM31/DAM32/DAM62

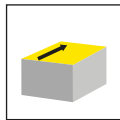


页/Page
475, 477



页/Page
476

接头
Adaptor
MD



页/Page
478-479

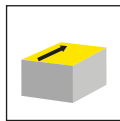
异径
Reducer
MD

页/Page
480

接长杆
Extension
MD

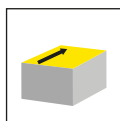
页/Page
481

可转位刀片
Indexable insert
DA31/DA32/DA62/
SDA62

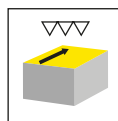


页/Page
482-483, 486-487

刀片
Insert
DA32

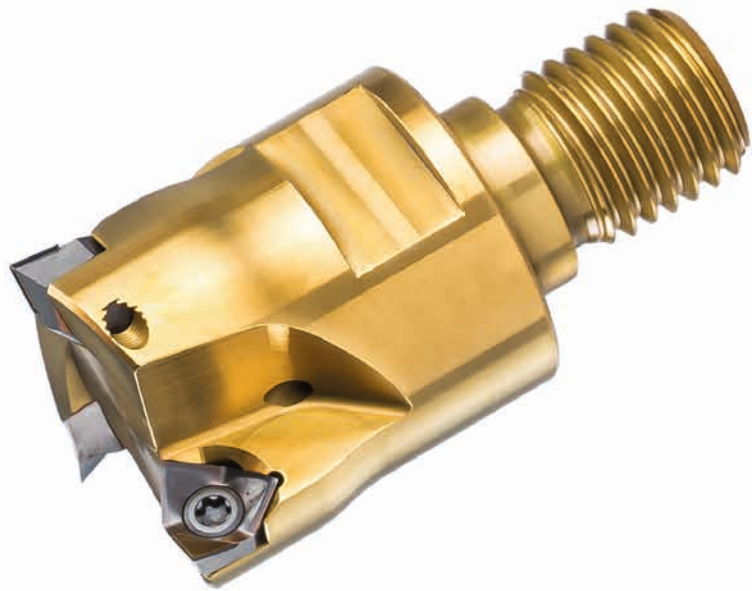


页/Page
484



页/Page
485

DA



系列 DA

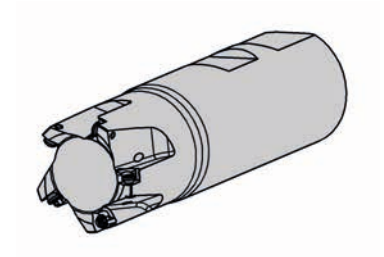
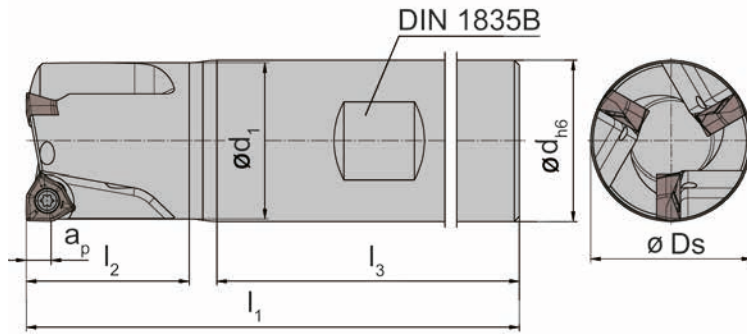
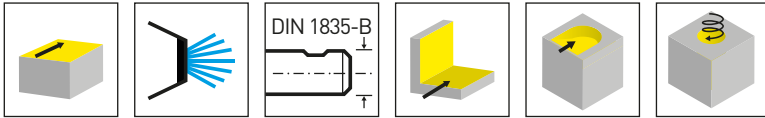
- 技术信息
- 芯轴刀柄式铣刀
- 螺纹锁紧铣刀
- 可转位刀片

System DA

- End Mill
- Arbour Mounted Cutter
- Screw-in Cutter
- Indexable Inserts

杆式铣刀 End Mill

DAM31 / DAM32



产品型号 Part number	Z	Ds	d	l ₁	l ₂	d ₁	l ₃	a _p	HWS
DAM31.016.D163.02B	2	16	16	79	17	15	54	3	DA3116
DAM31.020.D204.03B	3	20	20	86	21	19	59	3	DA3120
DAM31.025.D255.04B	4	25	25	97	27	24	64	3	DA3125
DAM31.032.D326.05B	5	32	32	106	32	31	68	3	DA3132
DAM32.020.D205.02B	2	20	20	87	22	19	19	4.8	DA3220
DAM32.025.D256.03B	3	25	25	102	32	24	64	4.8	DA3225
DAM32.032.D327.03B	3	32	32	106	32	31	68	4.8	DA3232

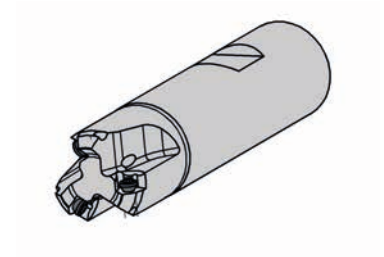
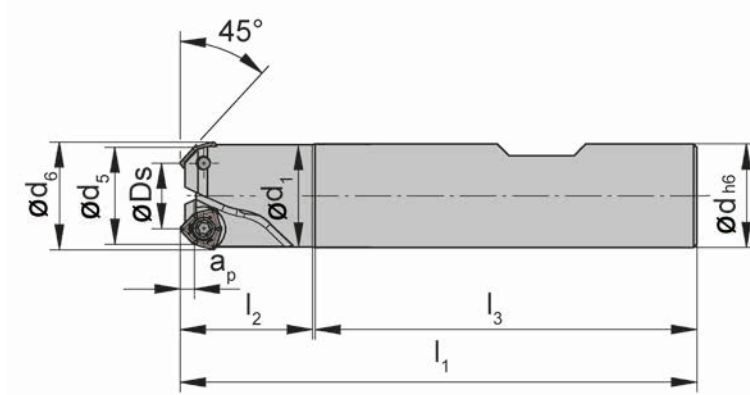
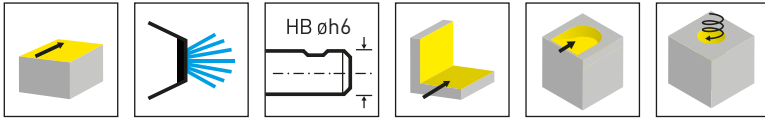
Ø25mm以上为2个夹持面
from Ø 25 mm 2 clamping flats

配件 Spare Parts

杆式铣刀 End Mill	锁紧螺钉 Clamping Screw	TORX PLUS®扳手 TORX PLUS® Wrench
DAM31.016.D163.02B	030.2541.T8P	T8PL
DAM31.020.D204.03B	030.2547.T8P	T8PL
DAM31.025.D255.04B	030.2553.T8P	T8PL
DAM31.032.D326.05B	030.2557.T8P	T8PL
DAM32.020.D205.02B	030.3562.T10P	T10PL
DAM32.025.D256.03B	030.3569.T10P	T10PL
DAM32.032.D327.03B	030.3576.T10P	T10PL

杆式铣刀 End Mill

DAM31



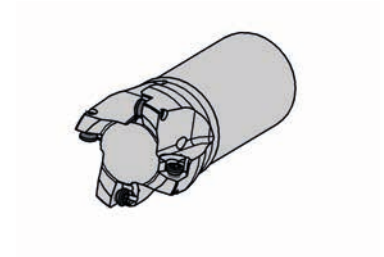
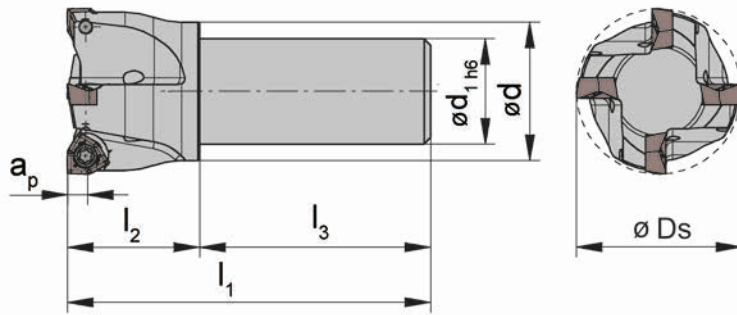
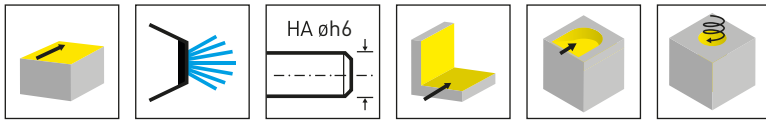
产品型号 Part number	Z	Ds	d	l ₁	l ₂	d ₁	l ₃	a _p	d ₆	d ₅	HWS
DAM31.411.D163.02B	2	10.4	16	80	20	15.8	59	2	16.9	15	DA3116
DAM31.414.D204.03B	3	14.4	20	87	23	18.8	62	2	20.9	19	DA3120

配件 Spare Parts

杆式铣刀 End Mill	锁紧螺钉 Clamping Screw	TORX PLUS®扳手 TORX PLUS® Wrench
DAM31.411.D163.02B	030.2541.T8P	T8PL
DAM31.414.D204.03B	030.2547.T8P	T8PL

杆式铣刀 End Mill

DAM31



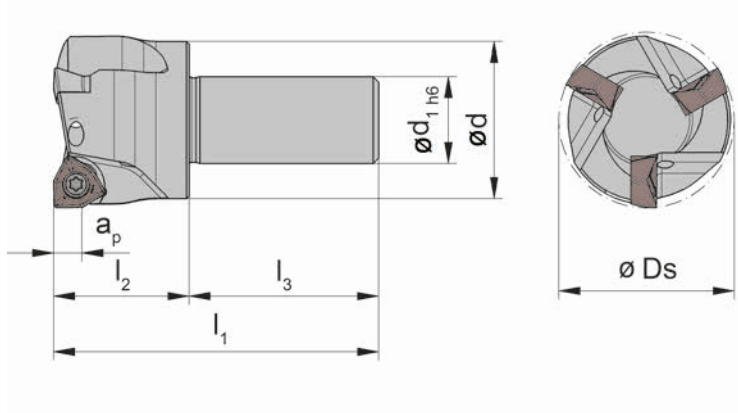
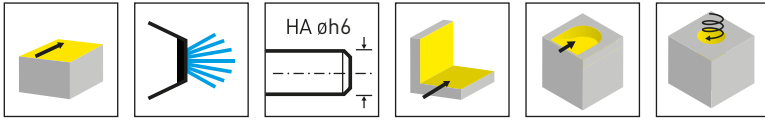
产品型号 Part number	Z	Ds	d	l ₁	l ₂	d ₁	l ₃	a _p	HWS
DAM31.020.D160.03A	3	20	19	52	17	16	35	3	DA3120
DAM31.025.D161.04A	4	25	24	55	20	16	35	3	DA3125
DAM31.032.D162.05A	5	32	31	60	25	16	35	3	DA3132
DAM31.032.D202.05A	5	32	31	60	25	20	35	3	DA3132

配件 Spare Parts

杆式铣刀 End Mill	锁紧螺钉 Clamping Screw	TORX PLUS®扳手 TORX PLUS® Wrench
DAM31.020.D160.03A	030.2547.T8P	T8PL
DAM31.025.D161.04A	030.2553.T8P	T8PL
DAM31.032....	030.2557.T8P	T8PL

杆式铣刀 End Mill

DAM32

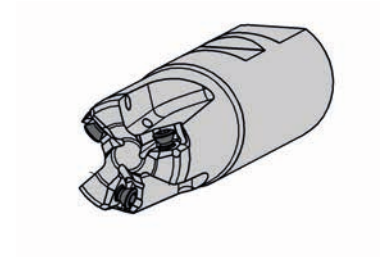
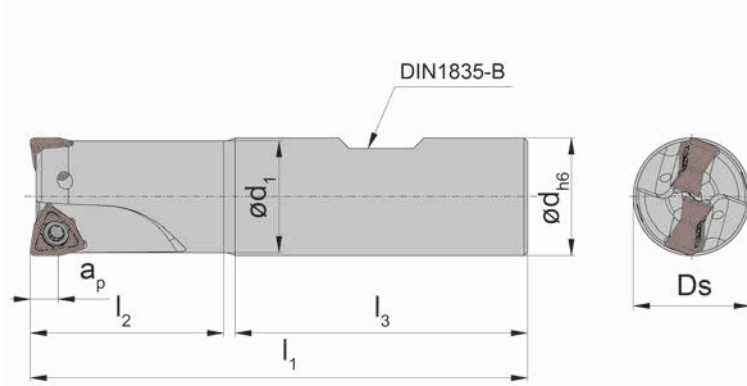
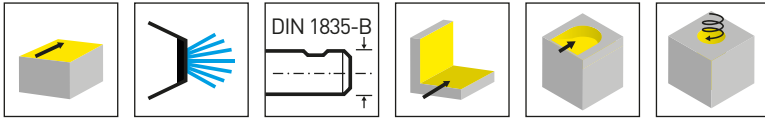


产品型号 Part number	Z	Ds	d	l_1	l_2	d_1	l_3	a_p	HWS
DAM32.020.D160.02A	2	20	19	52	17	16	35	4.5	DA3220
DAM32.025.D161.03A	3	25	24	55	20	16	35	4.5	DA3225
DAM32.032.D162.03A	3	32	31	60	25	16	35	4.5	DA3232

配件 Spare Parts

杆式铣刀 End Mill	锁紧螺钉 Clamping Screw	TORX PLUS®扳手 TORX PLUS® Wrench
DAM32.020.D160.02A	030.3562.T10P	T10PL
DAM32.025.D161.03A	030.3569.T10P	T10PL
DAM32.032.D162.03A	030.3576.T10P	T10PL

L



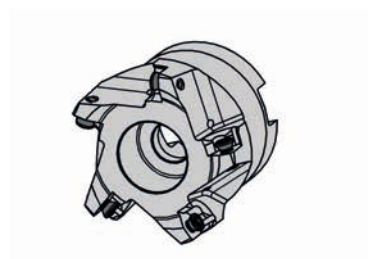
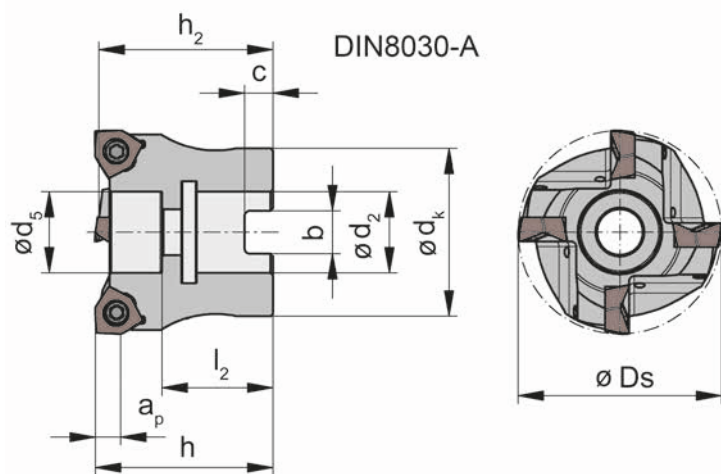
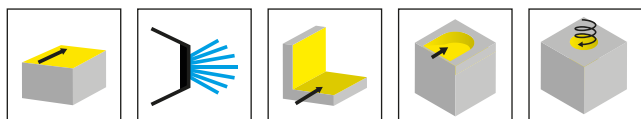
图示=右手型
Picture = right hand cutting version

产品型号 Part number	Z	Ds	d	l_1	l_2	d_1	l_3	a_p	HWS
DAM62.020.D20.4.02B	2	20	20	85	33	19	50	4.5	DA6200
DAM62.025.D25.5.03B	3	25	25	95	37	24	56	4.5	DA6200
DAM62.032.D32.6.04B	4	32	32	111	47	31	60	4.5	DA6200

L

配件
Spare Parts

杆式铣刀 End Mill	锁紧螺钉 Clamping Screw	TORX PLUS®扳手 TORX PLUS® Wrench
DAM62...	030.3070.T10P	T10PL



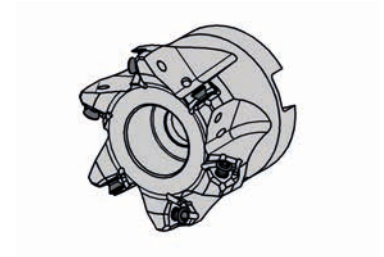
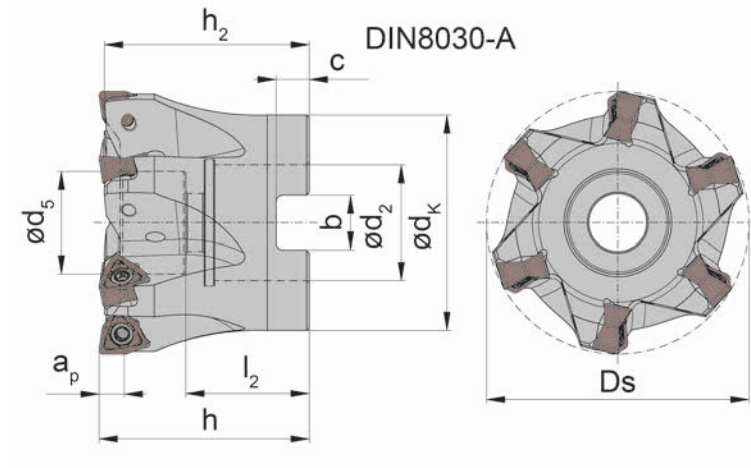
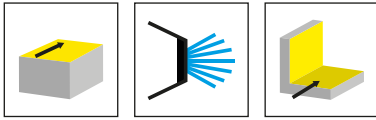
图示=右手型
Picture = right hand cutting version

产品型号 Part number	Z	Ds	ap	h ₂	h	d _s	d ₂	l ₂	b	C	d _k	HWS
DAM32.040.A1635.04	4	40	4.8	34.4	35	16	16	22	8.4	5.6	33	DA3232
DAM32.050.A2240.05	5	50	4.8	39.4	40	19.5	22	24	10.4	6.3	41	DA3232
DAM32.063.A2745.06	6	63	4.8	44.4	45	21.5	27	27	12.4	7	49	DA3232

配件
Spare Parts

芯轴刀柄式铣刀 Arbour Mounted Cutter	锁紧螺钉 Clamping Screw	TORX PLUS®扳手 TORX PLUS® Wrench
DAM32...	030.3576.T10P	T10PL





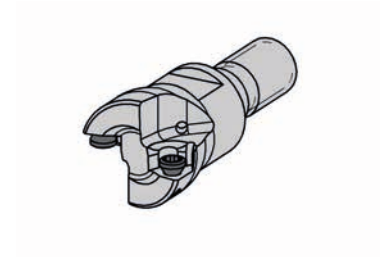
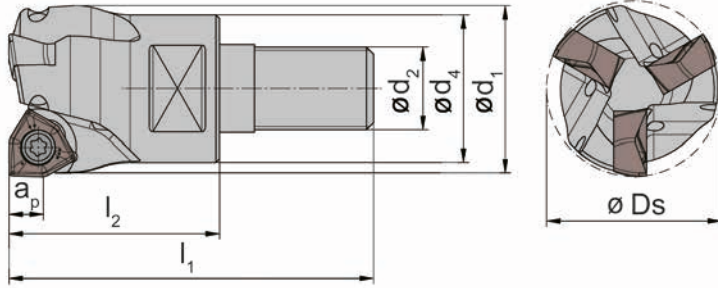
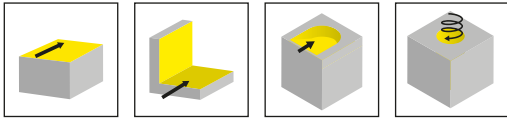
图示=右手型
Picture = right hand cutting version

产品型号 Part number	Z	Ds	ap	h ₂	h	d ₅	d ₂	l ₂	b	C	d _k	HWS
DAM62.0040.A16.05	5	40	4.5	34	35	16	16	21.5	8.4	5.6	33	DA6200
DAM62.0050.A22.06	6	50	4.5	39	40	19.5	22	23.5	10.4	6.3	41	DA6200
DAM62.0063.A22.08	8	63	4.5	39	40	19.5	22	24	10.4	6.3	49	DA6200
DAM62.0080.A27.10	10	80	4.5	49	50	21.5	27	27.5	12.4	7	59	DA6200

L

配件
Spare Parts

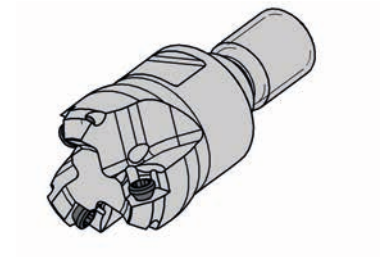
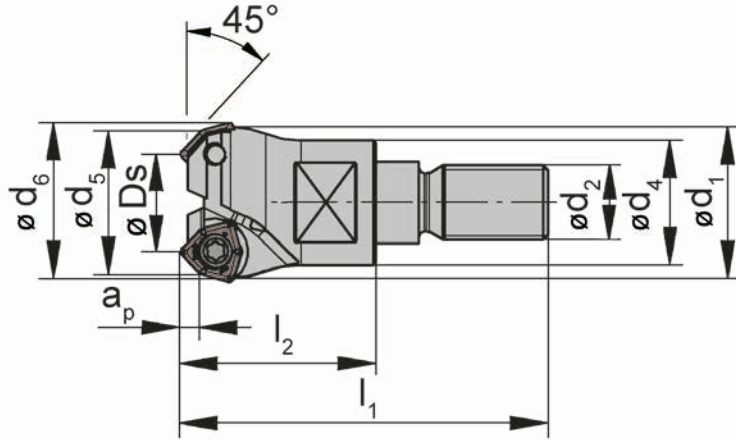
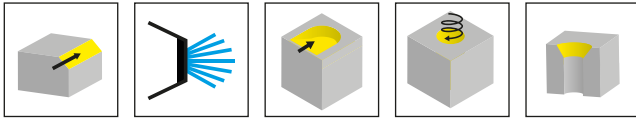
芯轴刀柄式铣刀 Arbour Mounted Cutter	锁紧螺钉 Clamping Screw	TORX PLUS®扳手 TORX PLUS® Wrench
DAM62...	030.3070.T10P	T10PL



产品型号 Part number	Z	Ds	l_1	l_2	d_1	a_p	d_2	d_4	SW	HWS	HMS
DAM31.016.M083.02B	2	16	38	20	15	3	M8	13	10	DA3116	08001
DAM31.020.M104.03B	3	20	45	25	19	3	M10	18	15	DA3120	10001
DAM31.025.M125.04B	4	25	52	30	24	3	M12	21	17	DA3125	12001
DAM31.032.M166.05B	5	32	58	35	31	3	M16	29	24	DA3132	16001
DAM32.020.M104.02B	2	20	45	25	19	4.8	M10	18	15	DA3220	10001
DAM32.025.M125.03B	3	25	52	30	24	4.8	M12	21	17	DA3225	12001
DAM32.032.M166.03B	3	32	58	35	31	4.8	M16	29	24	DA3232	16001

配件
Spare Parts

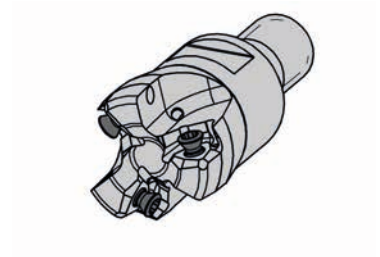
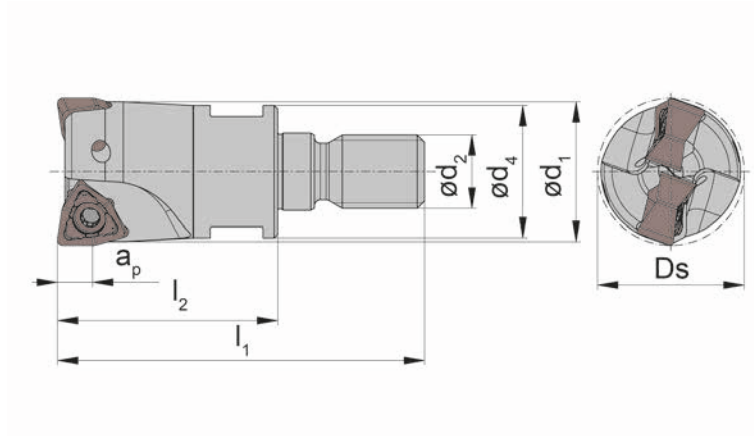
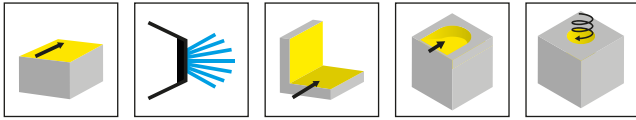
螺纹锁紧铣刀 Screw-in cutter	锁紧螺钉 Clamping Screw	TORX PLUS®扳手 TORX PLUS® Wrench
DAM31.016.M083.02B	030.2541.T8P	T8PL
DAM31.020.M104.03B	030.2547.T8P	T8PL
DAM31.025.M125.04B	030.2553.T8P	T8PL
DAM31.032.M166.05B	030.2557.T8P	T8PL
DAM32.020.M104.02B	030.3562.T10P	T10PL
DAM32.025.M125.03B	030.3569.T10P	T10PL
DAM32.032.M166.03B	030.3576.T10P	T10PL



产品型号 Part number	Z	Ds	l_1	l_2	d_1	a_p	d_2	d_4	d_5	d_6	SW	HWS	HMS
DAM31.411.M083.02B	2	10.5	38	20	15.8	2	M8	13	15	16.9	10	DA3116	08001
DAM31.414.M104.03B	3	14.4	45	25	19.8	2	M10	18	19	20.9	15	DA3120	10001
DAM32.417.M125.03B	3	17.6	52	30	24.8	3.2	M12	21	24	28.3	17	DA3225	12001

配件
Spare Parts

螺纹锁紧铣刀 Screw-in cutter	锁紧螺钉 Clamping Screw	TORX PLUS®扳手 TORX PLUS® Wrench
DAM31.411.M083.02B	030.2541.T8P	T8PL
DAM31.414.M104.03B	030.2547.T8P	T8PL
DAM32.417.M125.03B	030.3569.T10P	T10PL

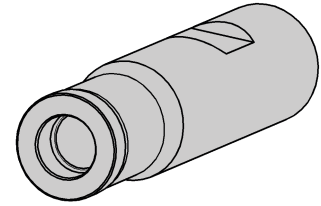
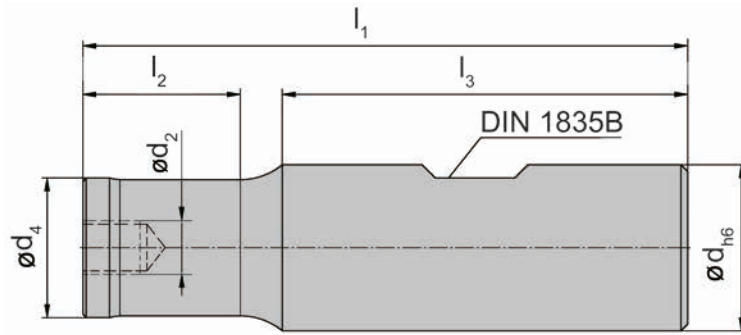
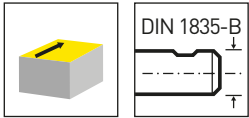


图示=右手型
Picture = right hand cutting version

产品型号 Part number	Z	Ds	l ₁	l ₂	d ₁	a _p	d ₂	d ₄	SW	HWS	HMS
DAM62.025.M12.5.03	3	25	57	35	24	4.5	M12	21	17	DA6200	12001
DAM62.032.M16.6.04	4	32	66	43	31	4.5	M16	29	24	DA6200	16001

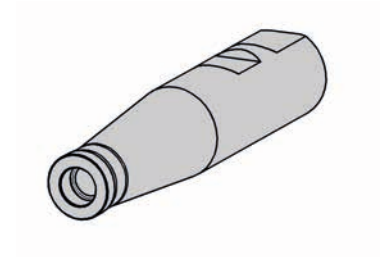
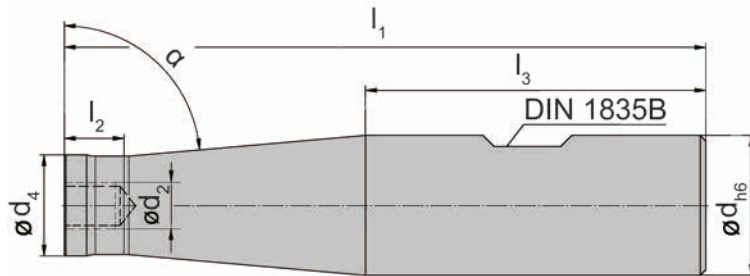
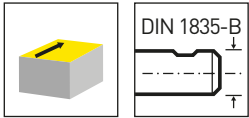
配件
Spare Parts

螺纹锁紧铣刀 Screw-in cutter	锁紧螺钉 Clamping Screw	TORX PLUS®扳手 TORX PLUS® Wrench
DAM62...	030.3070.T10P	T10PL



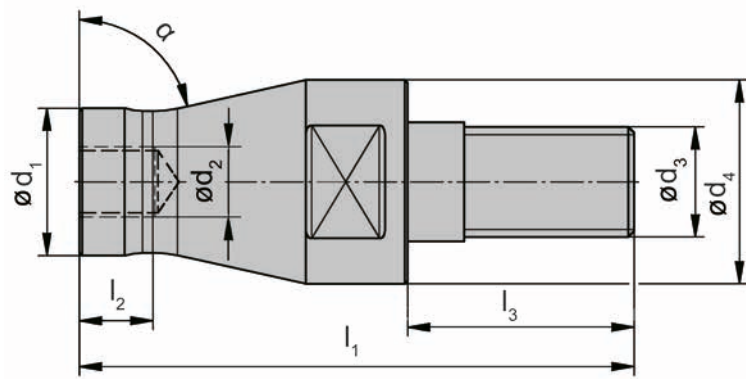
产品型号 Part number	l_1	l_2	l_3	d	d_4	d_2
MD13.02.00.D16B	73	14	53	16	13	M8
MD18.04.00.D20B	80	20	55	20	18	M10
MD21.06.00.D25B	91	23	61	25	21	M12
MD29.08.00.D32B	100	29	65	32	29	M16

Ø25mm以上为2个夹持面
from Ø 25 mm 2 clamping flats

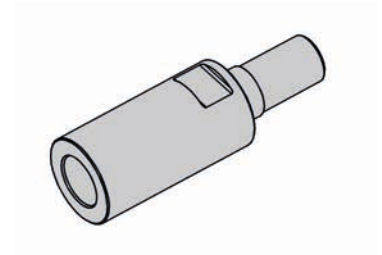
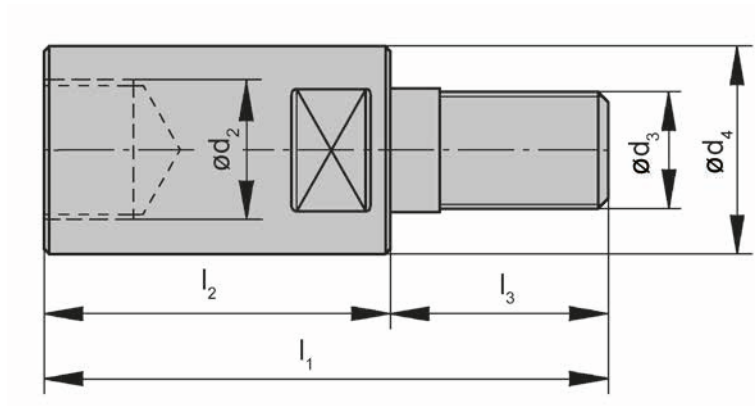


产品型号 Part number	l_1	l_2	l_3	d	d_4	d_2	α
MD13.02.85.D20B	105	7	55	20	13	M8	85°
MD18.04.85.D25B	115	10	61	25	18	M10	85°
MD21.06.85.D32B	140	8	65	32	21	M12	85°
MD29.08.85.D40B	150	8	75	40	29	M16	85°

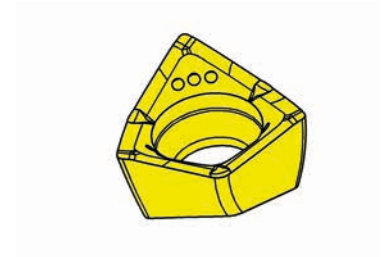
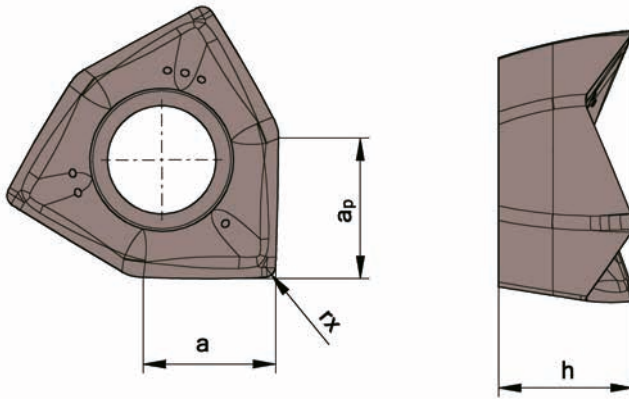
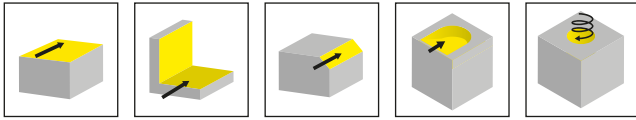
Ø25mm以上为2个夹持面
from Ø 25 mm 2 clamping flats



产品型号 Part number	l_1	l_2	l_3	d_1	d_2	d_3	d_4	SW	α
MD18.02.77.M10	49	6	20	13	M8	M10	18	15	77.5°
MD21.04.77.M12	56	10	22	18	M10	M12	21	17	77.5°
MD29.06.77.M16	52	6	23	21	M12	M16	29	24	77.5°



产品型号 Part number	l_1	l_2	l_3	d_2	d_3	d_4	SW
MD13.02.00.M08	48	30	18	M8	M8	13	10
MD18.04.00.M10	55	35	20	M10	M10	18	15
MD21.06.00.M12	57	35	22	M12	M12	21	17
MD29.08.00.M16	58	35	23	M16	M16	29	24



硬质合金牌号
Carbide grades

▲ 库存
on stock

△ 4周
4 weeks

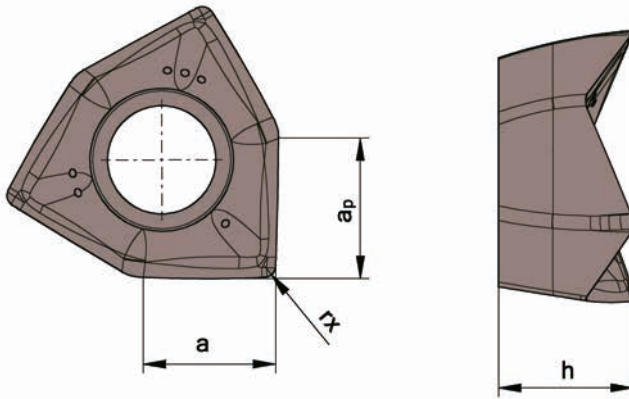
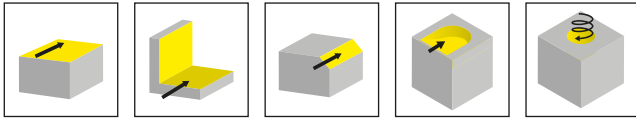
产品型号 Part number	Ds	a _p	a	h	r _x	HIS	SA4B	TA45
DA31.016.A.00	16	3	3	3.1	-	DA3116	▲	▲
DA31.016.A.02	16	3	3	3.1	0.2	DA3116	▲	▲
DA31.016.A.04	16	3	3	3.1	0.4	DA3116	▲	▲
DA31.020.A.00	20	3	3	3.1	-	DA3120	△	▲
DA31.020.A.02	20	3	3	3.1	0.2	DA3120	▲	▲
DA31.020.A.04	20	3	3	3.1	0.4	DA3120	▲	▲
DA31.025.A.00	25	3	3	3.1	-	DA3125	▲	▲
DA31.025.A.02	25	3	3	3.1	0.2	DA3125	▲	▲
DA31.025.A.04	25	3	3	3.1	0.4	DA3125	▲	△
DA31.032.A.00	32	3	3	3.1	-	DA3132	▲	▲
DA31.032.A.02	32	3	3	3.1	0.2	DA3132	▲	▲
DA31.032.A.04	32	3	3	3.1	0.4	DA3132	▲	▲

硬质合金牌号TA45适用于易加工材料, 铝和精加工。硬质合金牌号SA4B适用于中等和难加工材料。
Carbide grade TA45 preferred for easy to machine materials, aluminium and finishing. Carbide grade SA4B preferred for middle and difficult to machine materials.

P	●	●
M	●	●
K	●	●
N	●	●
S	-	●
H	-	-

可转位刀片 Indexable insert

DA32



硬质合金牌号
Carbide grades

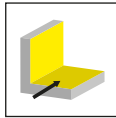
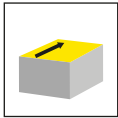
▲ 库存
on stock

△ 4周
4 weeks

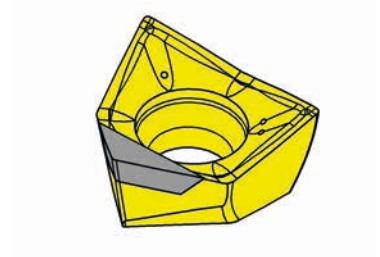
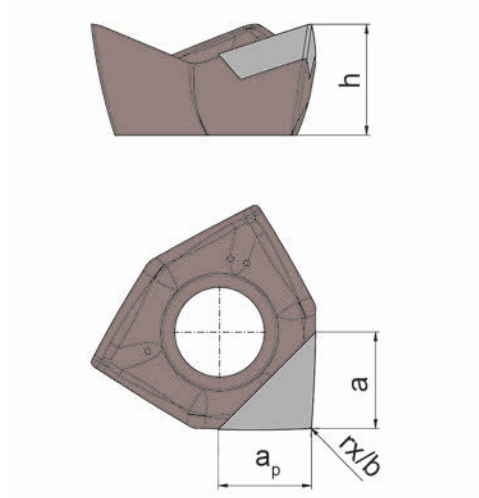
产品型号 Part number	Ds	a _p	a	h	r _x	HIS	SA4B	TA45
DA32.020.A.00	20	4.8	4.6	4.7	-	DA3220	△	△
DA32.020.A.02	20	4.8	4.6	4.7	0.2	DA3220	▲	△
DA32.020.A.04	20	4.8	4.6	4.7	0.4	DA3220	▲	
DA32.020.A.08	20	4.8	4.6	4.7	0.8	DA3220	▲	▲
DA32.020.A.10	20	4.8	4.6	4.7	1	DA3220	▲	▲
DA32.025.A.00	25	4.8	4.6	4.7	-	DA3225	△	△
DA32.025.A.02	25	4.8	4.6	4.7	0.2	DA3225	▲	△
DA32.025.A.04	25	4.8	4.6	4.7	0.4	DA3225	▲	▲
DA32.025.A.08	25	4.8	4.6	4.7	0.8	DA3225	▲	▲
DA32.025.A.10	25	4.8	4.6	4.7	1	DA3225	△	▲
DA32.032.A.00	32	4.8	4.6	4.7	-	DA3232	△	△
DA32.032.A.02	32	4.8	4.6	4.7	0.2	DA3232	▲	▲
DA32.032.A.04	32	4.8	4.6	4.7	0.4	DA3232	▲	▲
DA32.032.A.08	32	4.8	4.6	4.7	0.8	DA3232	▲	▲
DA32.032.A.10	32	4.8	4.6	4.7	1	DA3232	▲	▲

硬质合金牌号TA45适用于易加工材料, 铝和精加工。硬质合金牌号SA4B适用于中等和难加工材料。
Carbide grade TA45 preferred for easy to machine materials, aluminium and finishing. Carbide grade SA4B preferred for middle and difficult to machine materials.

P	●	●
M	●	●
K	●	●
N	●	●
S	-	●
H	-	-



CVD-D

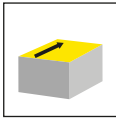
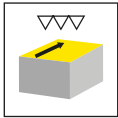


硬质合金牌号
Carbide grades

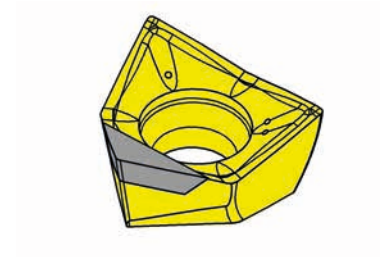
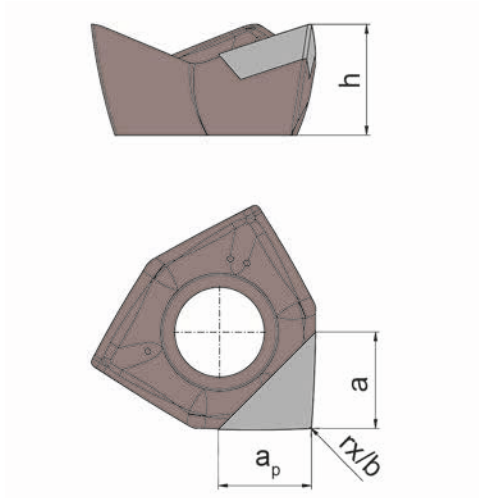
▲ 库存
on stock

△ 4周
4 weeks

产品型号 Part number	Ds	a _p	a	h	r _x	b x 45°	HIS	HD05
DA32.020.25.02.C	20	3.8	3.5	4.7	0.2	-	DA3220	▲
DA32.020.25.X2.C	20	3.8	3.5	4.7	-	0.2	DA3220	△
DA32.025.25.02.C	25	3.8	3.5	4.7	0.2	-	DA3225	▲
DA32.025.25.X2.C	25	3.8	3.5	4.7	-	0.2	DA3225	△
DA32.032.25.02.C	32	3.8	3.5	4.7	0.2	-	DA3232	▲
DA32.032.25.X2.C	32	3.8	3.5	4.7	-	0.2	DA3232	▲
								P -
								M -
								K -
								N ●
								S -
								H -



PKD
PCD

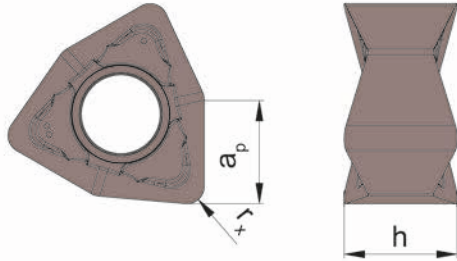
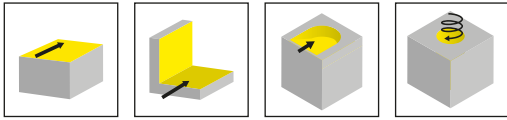


硬质合金牌号
Carbide grades

▲ 库存
on stock

△ 4周
4 weeks

产品型号 Part number	Ds	a _p	a	h	r _x	HIS	PD75
DA32.020.25.02.P	20	3.8	3.5	4.7	0.2	DA3220	▲
DA32.025.25.02.P	25	3.8	3.5	4.7	0.2	DA3225	▲
DA32.032.25.02.P	32	3.8	3.5	4.7	0.2	DA3232	▲
							P -
							M -
							K -
							N ●
							S -
							H -

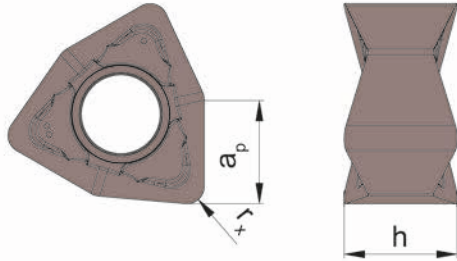
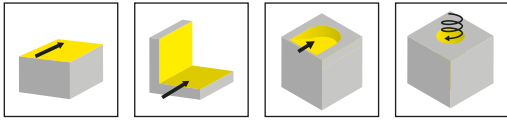


硬质合金牌号
Carbide grades

▲ 库存
on stock

△ 4周
4 weeks

产品型号 Part number	a_p	h	r_x	HIS	SA4B	SD6A
DA62.0400.A.04	4.5	5.2	0.4	DA6200	▲	▲
DA62.0400.A.08	4.5	5.16	0.8	DA6200	▲	▲
					P ● ○	
					M ● -	
					K ● ●	
					N ● -	
					S - -	
					H - -	



硬质合金牌号
Carbide grades

▲ 库存
on stock

△ 4周
4 weeks

产品型号 Part number	a_p	h	r_x	HIS	SA4B
SDA62.0400.A.08	4.5	5.16	0.8	DA6200	▲
					P ●
					M ●
					K ●
					N ●
					S -
					H -

进给率 DA31 / DA32

Feed Rate



ISO	刀片规格 DA31 进给/齿 f_z (mm) Insert size DA31 Feed/tooth f_z (mm)	刀片规格 DA32 进给/齿 f_z (mm) Insert size DA32 Feed/tooth f_z (mm)
P	0.03 - 0.15	0.04 - 0.25
M	0.03 - 0.12	0.03 - 0.17
K	0.03 - 0.15	0.04 - 0.25
N	0.03 - 0.40	0.04 - 0.50
S	0.03 - 0.08	0.03 - 0.15

45° 铣削每齿进给可增加1.4倍

When 45° Milling the feed per tooth f_z could be increased by factor 1.4.

切削速度可在本样本的第N章中找到。

Cutting speeds can be found in chapter N in this catalogue.

坡走铣和插铣-90°铣刀

Ramp angle and plunging with a 90° milling cutter

Ø (mm) 刀片规格 / Insert size	32 DA32	25 DA32	20 DA32	32 DA31	25 DA31	20 DA31	16 DA31
切入角 (°) Plunge angle (°)	3.5°	3.5°	3.5°	4.0°	3.5°	3.5°	3.0°
垂直方向满切最大切深 (mm) vertical full diving max. (mm)	1.0	0.6	0.4	1.7	0.8	0.6	0.4
侧面铣削 a_e a_e (mm) vertical side diving a_e max. (mm)	4.6	4.6	4.6	3.1	3.1	3.1	3.1
底孔最小径 D_b (mm) Predrilling D_b min. (mm)	22.8	15.8	10.8	25.8	18.8	13.8	9.8

坡走铣和插铣-45°铣刀

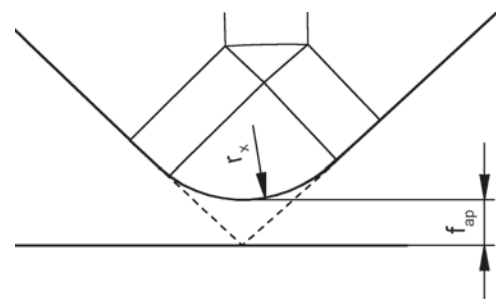
Ramp angle and plunging with a 45° milling cutter

Ø (mm) 刀片规格 / Insert size	17 DA32	14.4 DA31	10.5 DA31
切入角 (°) Plunge angle (°)	11°	7°	10.5°
垂直方向满切最大切深 (mm) vertical full diving max. (mm)	3.2	2.0	2.0

45°铣削时考虑圆角半径后切削深度的修正系数

Correction factor for reduced cutting depth in consideration to the corner radius when 45° milling

圆角刀尖 r_x (mm) Corner radius r_x (mm)	修正系数 f_{ap} (mm) Correction factor f_{ap} (mm)
0	0
0.2	0.078
0.4	0.17
0.8	0.33
1.0	0.41



进给率 DA62

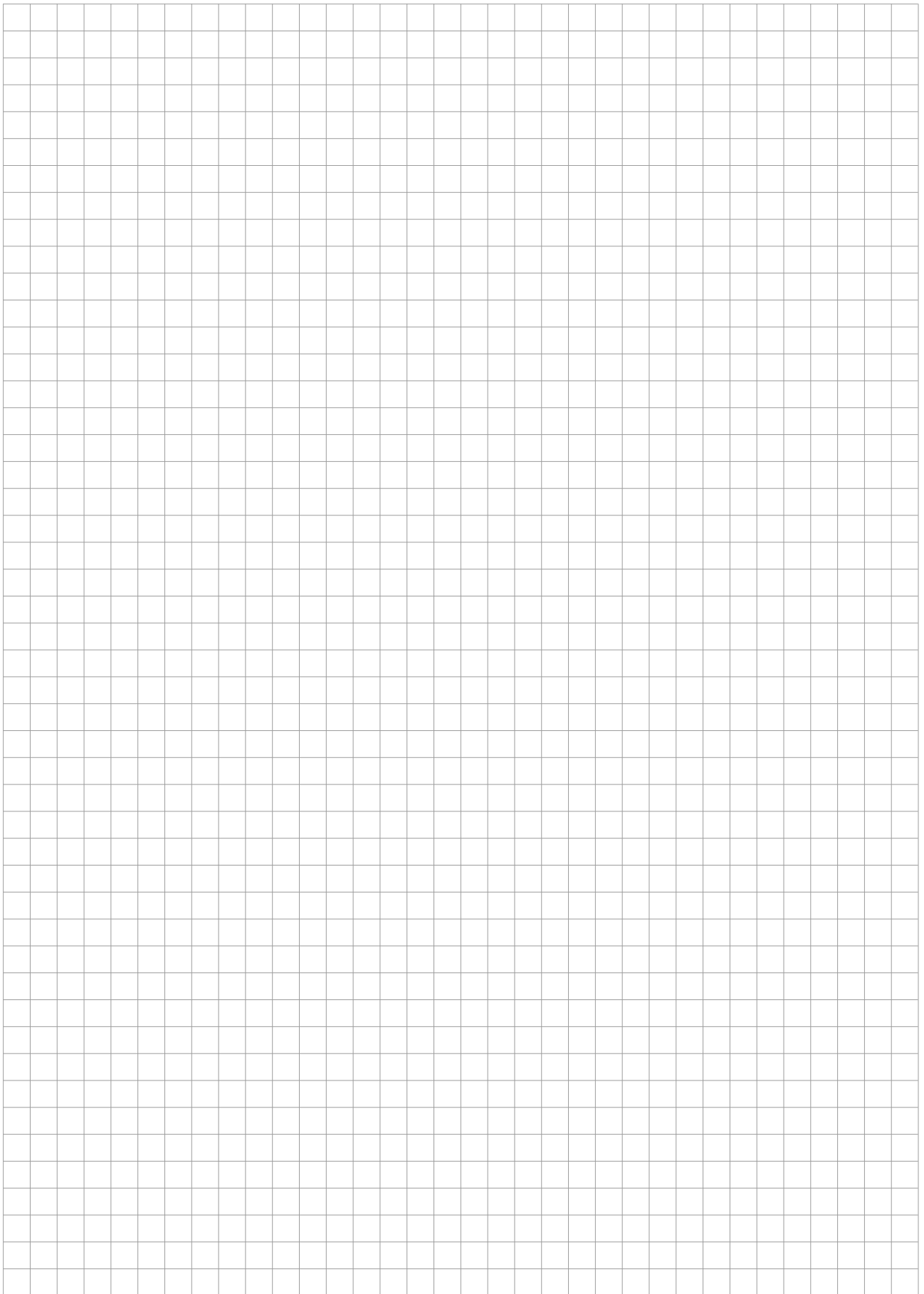
Feed Rate



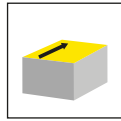
ISO	进给/齿 f_z (mm) Feed/tooth f_z (mm)
P	0.04 - 0.25
M	0.03 - 0.17
K	0.04 - 0.25
N	0.04 - 0.50
S	0.03 - 0.15

切削刃Ø Cutting edge Ø [mm]	切入角 Plunge angle [°]
20	2.4
25	1.75
32	1.25
40	0.95
50	0.7
63	0.55
80	0.4

切削速度可在本样本的第N章中找到。
Cutting speeds can be found in chapter N in this catalogue.

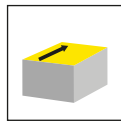


杆式铣刀
End Mill
DAH25/DAH37/
DAH82



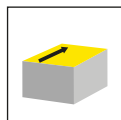
页/Page
494-495, 500, 507

螺纹锁紧铣刀
Screw-in cutter
DAH25/DAH37/
DAH82



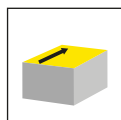
页/Page
496, 501, 508

可转位刀片
Indexable insert
DAH25/DAH37/DAH82/
DAH84



页/Page
497, 503-504, 510, 512

芯轴刀柄式铣刀
Arbour Mounted Cutter
DAH37/DAH82/
DAH84



页/Page
502, 509, 511

DAH



高进给铣削系列DAH

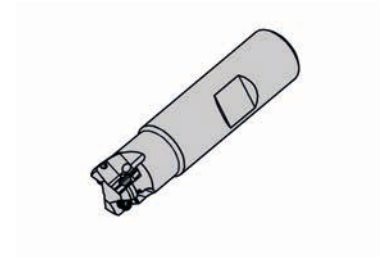
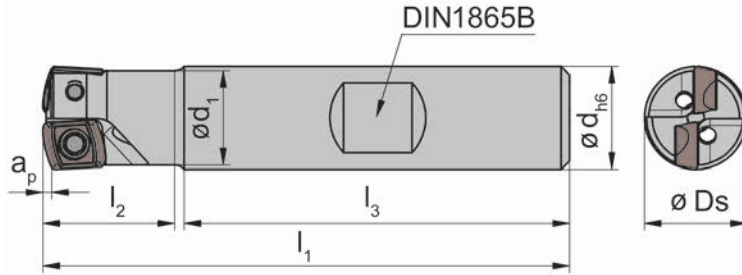
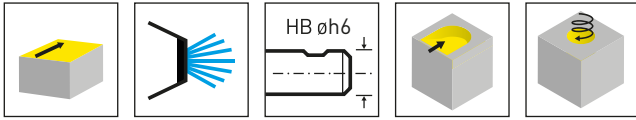
- 技术信息
- 芯轴刀柄式铣刀
- 螺纹锁紧铣刀
- 可转位刀片

High feed milling System DAH

- End Mill
- Arbour Mounted Cutter
- Screw-in Cutter
- Indexable Inserts

杆式铣刀 End Mill

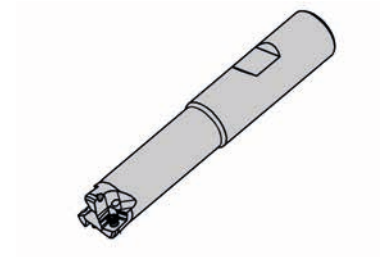
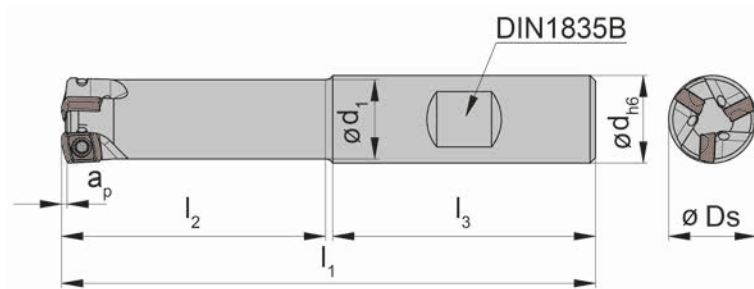
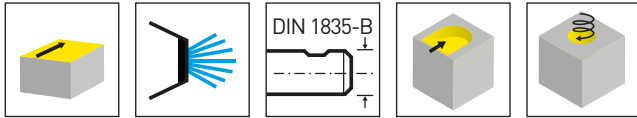
DAH25



产品型号 Part number	Z	Ds	d	l ₁	l ₂	d ₁	l ₃	a _p	HWS
DAH25.012.D122.02B	2	12	12	61.5	15	11	45	1	DAH25
DAH25.016.D163.03B	3	16	16	69.5	20	14.5	48	1	DAH25
DAH25.020.D204.03B	3	20	20	76.5	25	18	50	1	DAH25

配件 Spare Parts

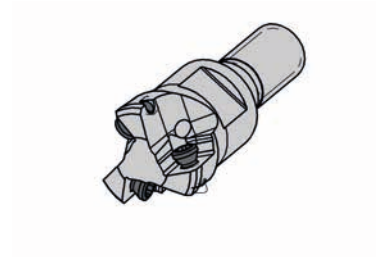
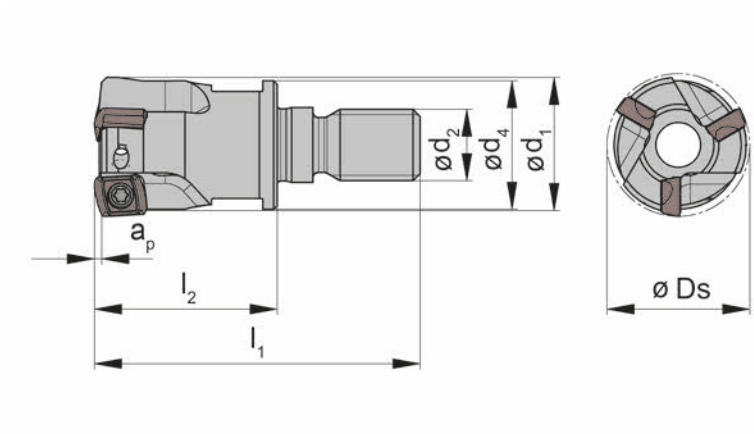
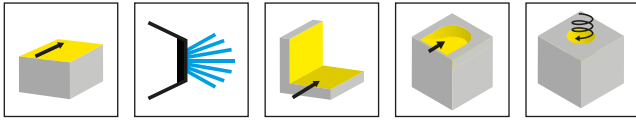
杆式铣刀 End Mill	锁紧螺钉 Clamping Screw	TORX PLUS®扳手 TORX PLUS® Wrench
DAH25.012.D122.02B	030.2547.T8P	T8PL
DAH25....	030.2553.T8P	T8PL



产品型号 Part number	Z	Ds	d	l_1	l_2	d_1	l_3	a_p	HWS
DAH25.25.012.D124.02B	2	12	12	82.5	36	11.5	45	1	DAH25
DAH25.25.016.D165.02B	2	16	16	97.5	48	15.4	48	1	DAH25
DAH25.25.016.D165.03B	3	16	16	97.5	48	15.4	48	1	DAH25
DAH25.25.020.D206.03B	3	20	20	111.5	60	19	50	1	DAH25
DAH25.25.025.D257.04B	4	25	25	132.5	75	24	56	1	DAH25

配件
Spare Parts

杆式铣刀 End Mill	锁紧螺钉 Clamping Screw	TORX PLUS®扳手 TORX PLUS® Wrench
DAH25.25.012.D124.02B	030.2547.T8P	T8PL
DAH25.25....	030.2553.T8P	T8PL



产品型号 Part number	Z	Ds	l ₁	l ₂	d ₁	a _p	d ₂	d ₄	HWS	HMS
DAH25.012.M062.02	2	12	26	13.5	11	1	M6	11.5	DAH25	6001
DAH25.016.M083.02	2	16	39	20.5	13	1	M8	15.4	DAH25	08001
DAH25.016.M083.03	3	16	39	20.5	13	1	M8	15.4	DAH25	08001
DAH25.020.M104.03	3	20	45	25.5	18	1	M10	19	DAH25	10001
DAH25.025.M125.04	4	25	50	28	21	1	M12	24	DAH25	12001

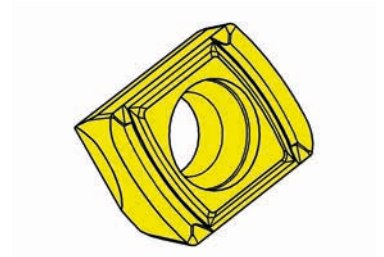
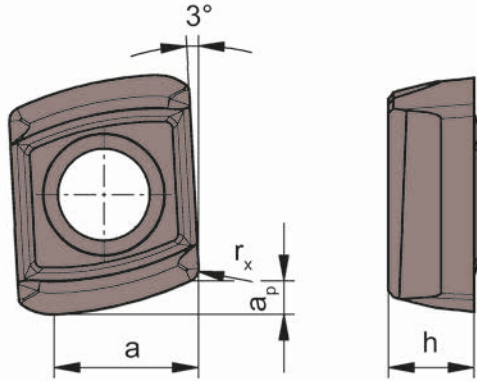
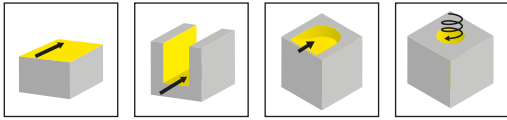
配件
Spare Parts

螺纹锁紧铣刀 Screw-in cutter	锁紧螺钉 Clamping Screw	TORX PLUS®扳手 TORX PLUS® Wrench
DAH25.012.M062.02	030.2547.T8P	T8PL
DAH25....	030.2553.T8P	T8PL

可转位刀片

Indexable insert

DAH25



硬质合金牌号
Carbide grades

▲ 库存
on stock

△ 4周
4 weeks

产品型号 Part number	a_p	a	h	r_x	HIS	SA4B
DAH.25.011.D.04	1	4.4	2.6	0.4	DAH25	▲
						P ●
						M ●
						K ●
						N ●
						S -
						H -

ISO	进给/齿 f_z (mm) Feed/tooth f_z (mm)
P	0.5 - 1.8
M	0.5 - 1.5
K	0.6 - 1.8
N	0.8 - 2.5
S	0.5 - 1.5

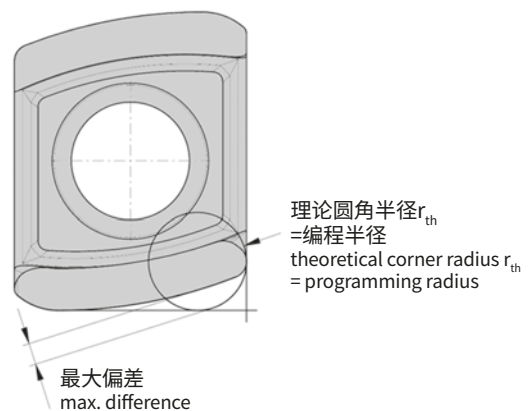
切削速度可在本样本的第N章中找到。
Cutting speeds can be found in chapter N in this catalogue.

切入角 (°) Plunge angle

\varnothing (mm)	切入角 (°) Plunge angle (°)
12	6.5
16	2.5
20	1.5
25	1.0

编程半径和偏差 Programming radius and difference

r_{th} (mm)	最大偏差 (mm) max. difference (mm)
1.4	0.61



Z = 齿数
Number of teeth

d_{eff} = 有效切削刃Ø
effective cutting edge Ø

n = 转速
Revolutions

$$n = \frac{v_c \cdot 1000}{d_{\text{eff}} \cdot \pi} \text{ [1/min]}$$

v_c = 切削速度
Cutting speed

$$v_c = \frac{d_{\text{eff}} \cdot \pi \cdot n}{1000} \text{ [m/min]}$$

f_z = 进给/齿
Feed/tooth

$$f_z = \frac{v_f}{Z \cdot n} \text{ [mm]}$$

v_f = 进给率
Feed rate

$$v_f = f_z \cdot Z \cdot n \text{ [mm/min]}$$

Q = 材料去除率
Material removal rate

$$Q = \frac{a_e \cdot a_p \cdot v_f}{1000} \text{ [cm}^3\text{/min]}$$

计算有效切削直径 d_{eff} 以得到正确的RPM和切削进给。

使用以下的值和公式计算有效直径：

a_p = 切深
 D_s = 刀具直径
 K_D = 修正值表
 $d_{\text{eff}} = K_D + (D_s - 12)$

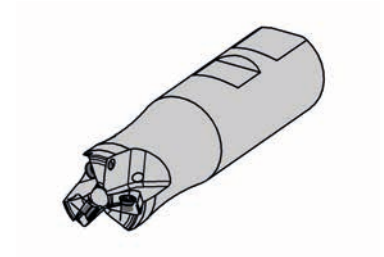
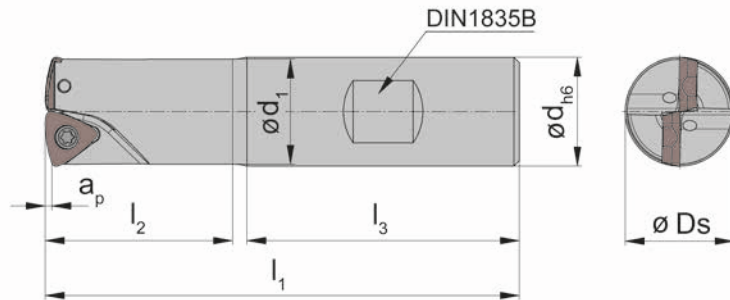
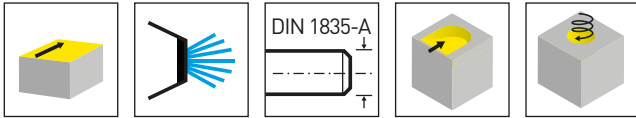
The effective cutting diameter d_{eff} must be calculated to obtain the correct RPM and the cutting feed.

The effective cutting diameter is calculated using the following values and formula.

a_p = depth of cut
 D_s = cutter diameter
 K_D = from Correction value chart
 $d_{\text{eff}} = K_D + (D_s - 12)$

修正数值
Correction value

a_p [mm]	K_D [mm]
0.1	5.3
0.2	6.5
0.3	7.4
0.4	8.1
0.5	8.8
0.6	9.4
0.7	10.0
0.8	10.5
0.9	11.0
1.0	12.0

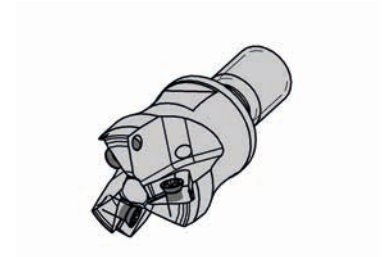
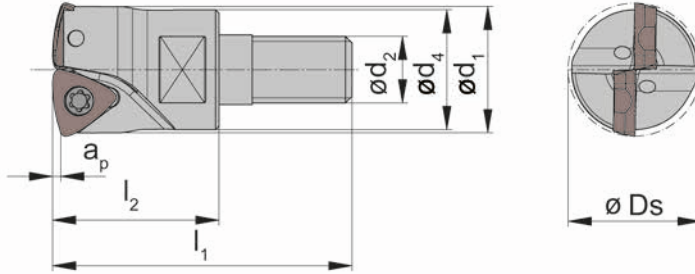
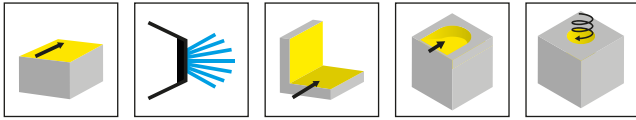


产品型号 Part number	Z	Ds	d	l_1	l_2	d_1	l_3	a_p	HWS
DAH37.37.020.D204.02B	2	20	20	87	34	19	50	1.2	DAH37
DAH37.37.025.D255.03B	3	25	25	101	41	24	56	1.2	DAH37
DAH37.37.032.D326.04B	4	32	32	111	47	31	60	1.2	DAH37

L

配件
Spare Parts

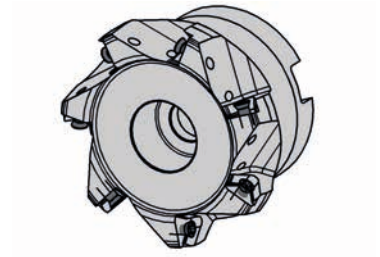
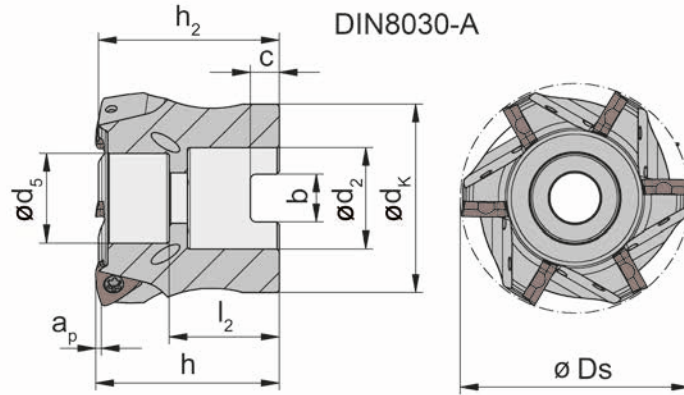
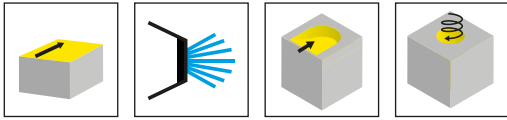
杆式铣刀 End Mill	锁紧螺钉 Clamping Screw	TORX PLUS®扳手 TORX PLUS® Wrench
DAH37...	030.3070.T10P	T10PL



产品型号 Part number	Z	Ds	l_1	l_2	d_1	a_p	d_2	d_4	SW	HWS	HMS
DAH37.020.M104.02	2	20	45	25	19	1.2	M10	18	15	DAH37	10001
DAH37.025.M125.03	3	25	52	30	24	1.2	M12	21	17	DAH37	12001
DAH37.032.M166.04	4	32	58	35	31	1.2	M16	29	24	DAH37	16001
DAH37.040.M166.05	5	40	58	35	39	1.2	M16	29	24	DAH37	16001

配件
Spare Parts

螺纹锁紧铣刀 Screw-in cutter	锁紧螺钉 Clamping Screw	TORX PLUS®扳手 TORX PLUS® Wrench
DAH37...	030.3070.T10P	T10PL



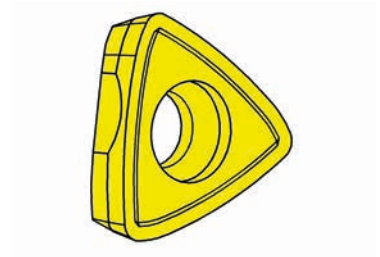
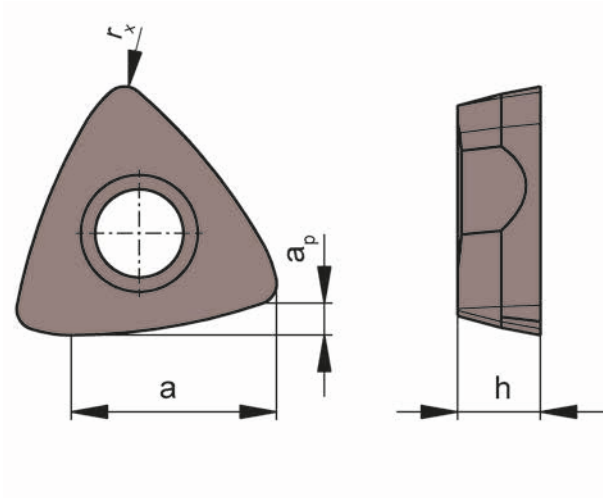
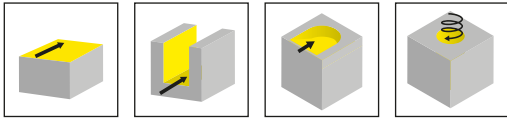
图示=右手型
Picture = right hand cutting version

产品型号 Part number	Z	Ds	ap	h ₂	h	d ₅	d _k	l ₂	b	C	d ₂	HWS
DAH37.37.040.A1635.05	5	40	1.2	34.4	35	16	33	22	8.4	5.6	16	DAH37
DAH37.37.050.A2235.06	6	50	1.2	39.4	40	19.5	41	24	10.4	6.3	22	DAH37
DAH37.37.063.A2240.07	7	63	1.2	39.4	40	19.5	49	24	10.4	6.3	22	DAH37
DAH37.37.063.A2740.07	7	63	1.2	44.4	45	21.5	49	27	12.4	7	27	DAH37
DAH37.37.080.A3245.08	8	80	1.2	54.4	55	29.5	59	33	12.4	8	32	DAH37

L

配件
Spare Parts

芯轴刀柄式铣刀 Arbour Mounted Cutter	锁紧螺钉 Clamping Screw	TORX PLUS®扳手 TORX PLUS® Wrench
DAH37...	030.3070.T10P	T10PL



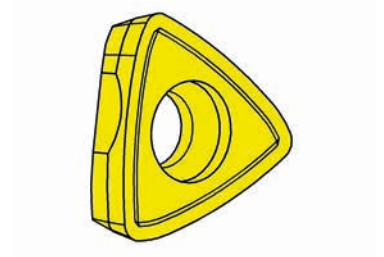
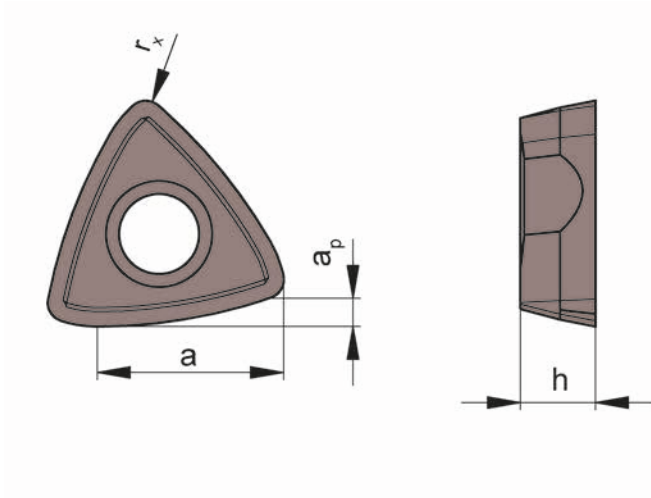
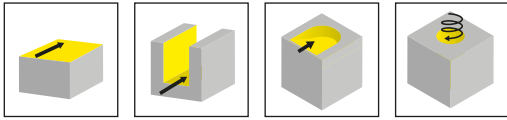
硬质合金牌号
Carbide grades

▲ 库存
on stock

△ 4周
4 weeks

产品型号 Part number	a_p	a	h	r_x	HIS		SA4B	SC6A
DAH.37.022.N.08	1.2	7.9	3.18	0.8	DAH37		▲	▲
							P ●	●
							M ●	●
							K ●	●
							N ●	●
							S -	-
							H -	-

中立(零度)前角槽型
neutral geometry



硬质合金牌号
Carbide grades

▲ 库存
on stock

△ 4周
4 weeks

产品型号 Part number	a_p	a	h	r_x	HIS	SA4B
DAH.37.022.S.08	1.2	7.9	3.18	0.8	DAH37	▲
正前角槽型 positive geometry						P ● M ● K ● N ● S - H -

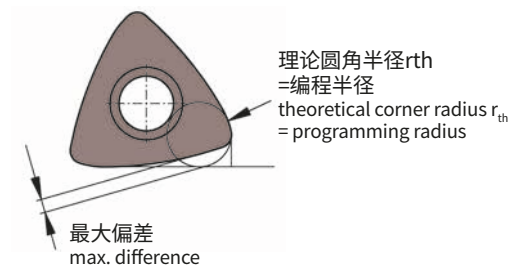
ISO	进给/齿 f_z (mm) Feed/tooth f_z (mm)
P	0.6 - 2.2
M	0.6 - 2.0
K	0.7 - 2.0
N	1.0 - 2.8
S	0.6 - 1.8

切削速度可在本样本的第N章中找到。
Cutting speeds can be found in chapter N in this catalogue.

切入角 Plunge angle

\varnothing (mm)	切入角 (°) Plunge angle (°)
20	5.0
25	4.0
32	1.0
40	0.5
50	0.5
63	0.4
80	0.4

编程半径和偏差 Programming radius and difference



r_{th} (mm)	最大偏差 (mm) max. difference (mm)
2	0.83

Z = 齿数
Number of teeth

d_{eff} = 有效切削刃Ø
effective cutting edge Ø

n = 转速
Revolutions

$$n = \frac{v_c \cdot 1000}{d_{\text{eff}} \cdot \pi} \text{ [1/min]}$$

v_c = 切削速度
Cutting speed

$$v_c = \frac{d_{\text{eff}} \cdot \pi \cdot n}{1000} \text{ [m/min]}$$

f_z = 进给/齿
Feed/tooth

$$f_z = \frac{v_f}{Z \cdot n} \text{ [mm]}$$

v_f = 进给率
Feed rate

$$v_f = f_z \cdot Z \cdot n \text{ [mm/min]}$$

Q = 材料去除率
Material removal rate

$$Q = \frac{a_e \cdot a_p \cdot v_f}{1000} \text{ [cm}^3\text{/min]}$$

计算有效切削直径 d_{eff} 以得到正确的RPM和切削进给。

使用以下的值和公式计算有效直径：

a_p = 切深
 D_s = 刀具直径
 K_D = 修正值表
 $d_{\text{eff}} = K_D + (D_s - 20)$

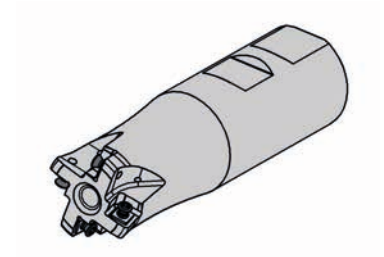
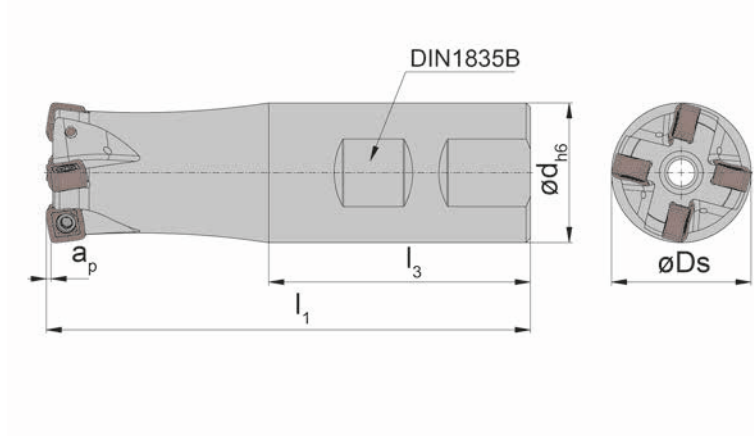
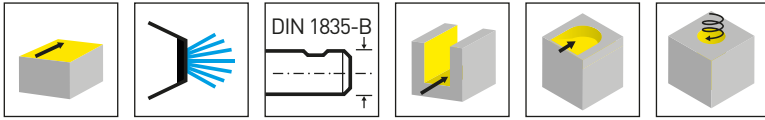
The effective cutting diameter d_{eff} must be calculated to obtain the correct RPM and the cutting feed.

The effective cutting diameter is calculated using the following values and formula.

a_p = depth of cut
 D_s = cutter diameter
 K_D = from Correction value chart
 $d_{\text{eff}} = K_D + (D_s - 20)$

修正数值
Correction value

a_p [mm]	K_D [mm]
0.1	9.71
0.2	11.47
0.3	12.81
0.4	13.93
0.5	14.92
0.6	15.82
0.7	16.63
0.8	17.39
0.9	18.10
1.0	18.77
1.1	19.40
1.2	20.00

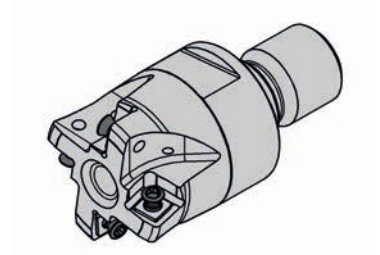
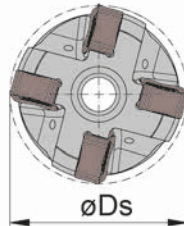
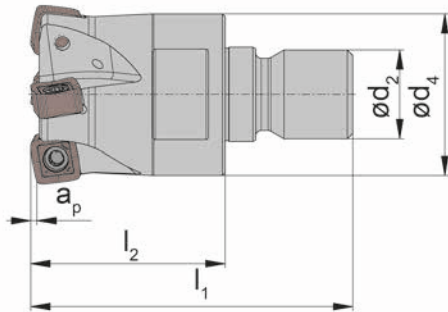
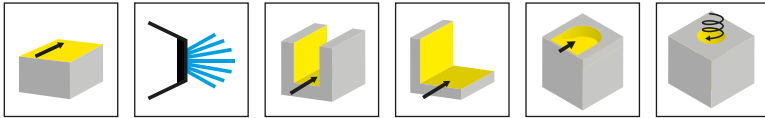


图示=右手型
Picture = right hand cutting version

产品型号 Part number	Z	Ds	d	l_1	l_3	a_p	n_{max}	HWS
DAH82.82.020.D204.02B	2	20	20	87	50	1	21000	DAH82
DAH82.82.025.D255.03B	3	25	25	101	56	1	18500	DAH82
DAH82.82.032.D326.04B	4	32	32	111	60	1	16500	DAH82
DAH82.82.035.D326.04B	4	35	32	111	60	1	15500	DAH82
DAH82.82.040.D326.05B	5	40	32	111	60	1	14500	DAH82

配件
Spare Parts

杆式铣刀 End Mill	锁紧螺钉 Clamping Screw	TORX PLUS®扳手 TORX PLUS® Wrench
DAH82...	030.3070.T10P	T10PL



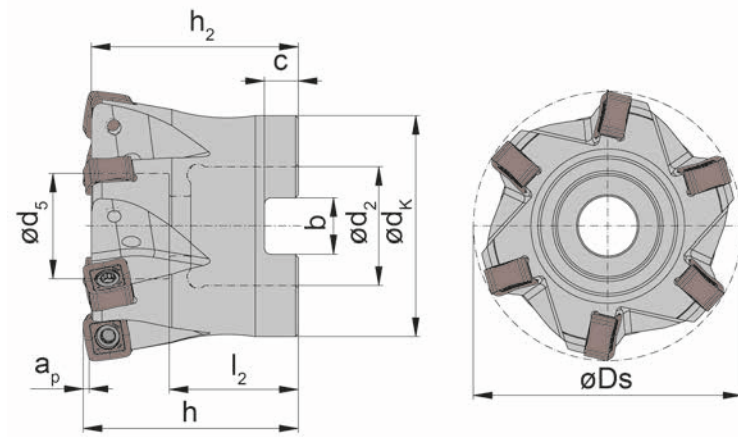
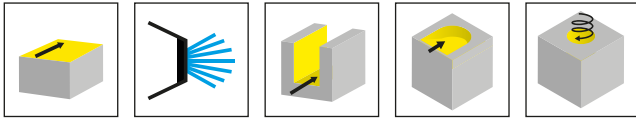
图示=右手型
Picture = right hand cutting version

产品型号 Part number	Z	Ds	l ₁	l ₂	d ₄	a _p	d ₂	SW	n _{max}	HWS	HMS
DAH82.82.020.M104.02	2	20	45	25	18	1	M10	15	21000	DAH82	10001
DAH82.82.025.M125.03	3	25	52	30	21	1	M12	17	18500	DAH82	12001
DAH82.82.032.M166.04	4	32	58	35	29	1	M16	24	16500	DAH82	16001
DAH82.82.035.M166.04	4	35	58	35	29	1	M16	24	15500	DAH82	16001
DAH82.82.040.M166.05	5	40	58	35	29	1	M16	24	14500	DAH82	16001

L

配件
Spare Parts

螺纹锁紧铣刀 Screw-in cutter	锁紧螺钉 Clamping Screw	TORX PLUS®扳手 TORX PLUS® Wrench
DAH82...	030.3070.T10P	T10PL



图示=右手型

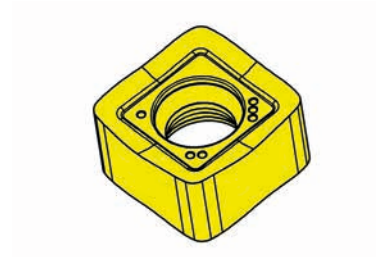
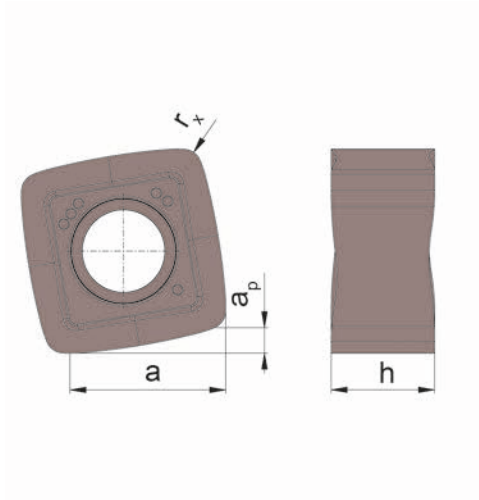
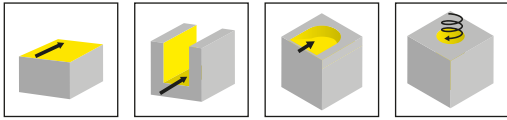
Picture = right hand cutting version

产品型号 Part number	Z	Ds	ap	h ₂	h	d ₅	d _k	l ₂	b	C	d ₂	n _{max}	HWS
DAH82.82.040.A1635.05	5	40	1	33.5	35	16	33	22	8.4	5.6	16	14500	DAH82
DAH82.82.042.A1635.05	5	42	1	33.5	35	16	33	22	8.4	5.6	16	14000	DAH82
DAH82.82.050.A2240.06	6	50	1	38.5	40	19.5	41	24	10.4	6.3	22	13000	DAH82
DAH82.82.052.A2240.06	6	52	1	38.5	40	19.5	41	24	10.4	6.3	22	13000	DAH82
DAH82.82.063.A2240.07	7	63	1	38.5	40	19.5	41	24	10.4	6.3	22	13000	DAH82

配件

Spare Parts

芯轴刀柄式铣刀 Arbour Mounted Cutter	锁紧螺钉 Clamping Screw	TORX PLUS®扳手 TORX PLUS® Wrench
DAH82...	030.3070.T10P	T10PL

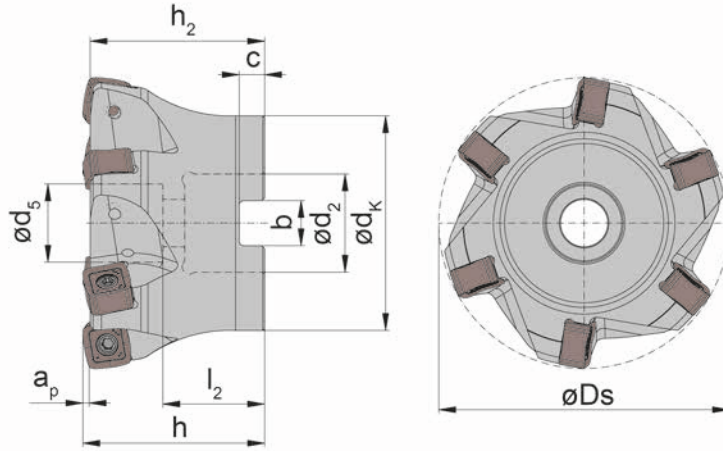
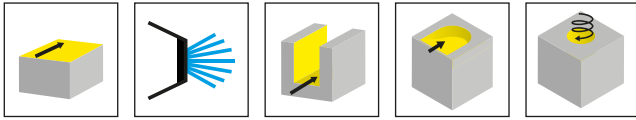


硬质合金牌号
Carbide grades

▲ 库存
on stock

△ 4周
4 weeks

产品型号 Part number	a_p	a	h	r_x	HIS	IG6B	SA4B	SC6A
DAH.82.030.S.08	1	6.8	4.5	0.8	DAH82	▲	▲	▲
正前角槽型 positive geometry						P ●	●	●
						M ○	●	●
						K ○	●	●
						N ○	●	●
						S ○	-	-
						H -	-	-



图示=右手型
Picture = right hand cutting version

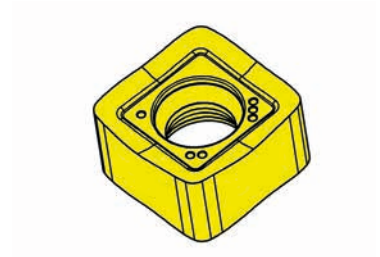
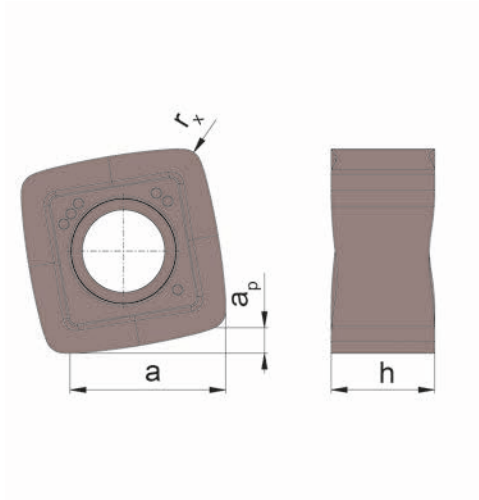
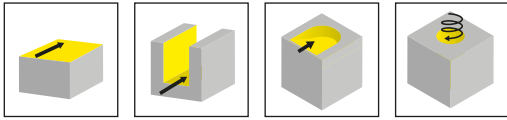
产品型号 Part number	Z	Ds	ap	h ₂	h	d _s	d _k	l ₂	b	C	d ₂	n _{max}	HWS
DAH84.84.050.A2240.04	4	50	1.5	38	40	16.5	41	25	10.4	6.3	22	8000	DAH84
DAH84.84.052.A2240.04	4	52	1.5	38	40	16.5	41	25	10.4	6.3	22	7500	DAH84
DAH84.84.063.A2240.05	5	63	1.5	38	40	19.5	49	25	10.4	6.3	22	6500	DAH84
DAH84.84.066.A2240.05	5	66	1.5	38	40	19.5	49	25	10.4	6.3	22	6500	DAH84
DAH84.84.080.A2750.06	6	80	1.5	48	50	21.5	59	28	12.4	7	27	5500	DAH84
DAH84.84.085.A2750.06	6	85	1.5	48	50	21.5	59	28	12.4	7	27	5500	DAH84
DAH84.84.100.A3250.07	7	100	1.5	48	50	30	80	33	14.4	8	32	5000	DAH84
DAH84.84.125.A4063.08	8	125	1.5	61	63	56	89	35	16.4	9	40	4000	DAH84

配件
Spare Parts

芯轴刀柄式铣刀 Arbour Mounted Cutter	锁紧螺钉 Clamping Screw	TORX PLUS®扳手 TORX PLUS® Wrench	锁紧栓 Tightening Bolt
DAH84.84...	030.0412.T15P	T15PQ	
DAH84.84.125.A4063.08	030.0412.T15P	T15PQ	20.30.6367

可转位刀片 Indexable insert

DAH84



硬质合金牌号
Carbide grades

▲ 库存
on stock

△ 4周
4 weeks

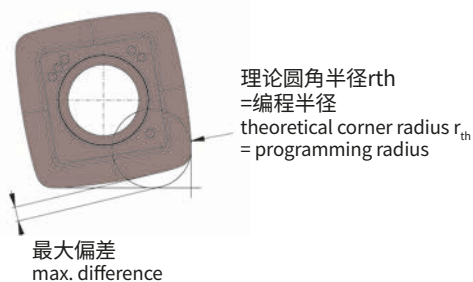
产品型号 Part number	a_p	a	h	r_x	HIS	IG6B	SA4B	SC6A
DAH.84.030.S.12	1.5	9.8	7	1.2	DAH84	▲	▲	▲
正前角槽型 positive geometry						P ●	●	●
						M ○	●	●
						K ○	●	●
						N ○	●	●
						S ○	-	-
						H -	-	-

ISO	DAH82	DAH84
	进给/齿 f_z (mm) Feed/tooth f_z (mm)	进给/齿 f_z (mm) Feed/tooth f_z (mm)
P	0.6 - 2.2	0.8 - 2.2
M	0.6 - 2.0	0.6 - 2.2
K	0.7 - 2.0	0.7 - 2.2
N	1.0 - 2.8	1.5 - 3.0
S	0.6 - 1.8	0.7 - 2.0

切削速度可在本样本的第N章中找到。
Cutting speeds can be found in chapter N in this catalogue.

编程半径和偏差

Programming radius and difference



DAH82

r_{th} (mm)	最大偏差 (mm) max. difference (mm)
2	0.72

DAH84

r_{th} (mm)	最大偏差 (mm) max. difference (mm)
3.25	0.96

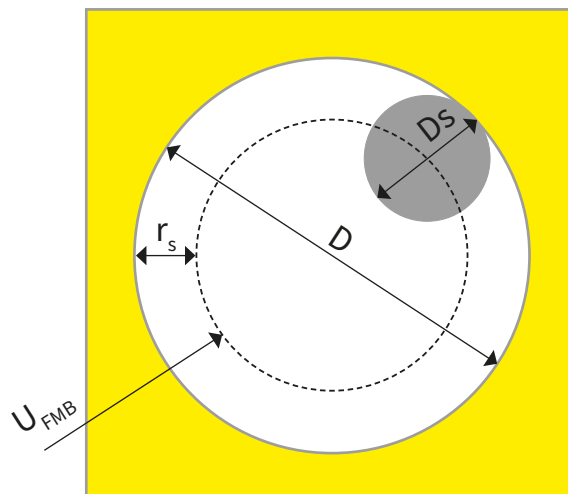
刀具中心轨迹的计算

D = 工件孔径

D_s = 切削直径

r_s = 切削半径

U_{FMB} = 刀具中心轨迹周长



$$U_{FMB} = \pi \times (\text{工件孔径} - \text{切削直径})$$

$$\longrightarrow U_{FMB} = \pi \times (D - D_s)$$

或者

$$U_{FMB} = \pi \times (\text{工件孔径} - (2 \times \text{切削半径}))$$

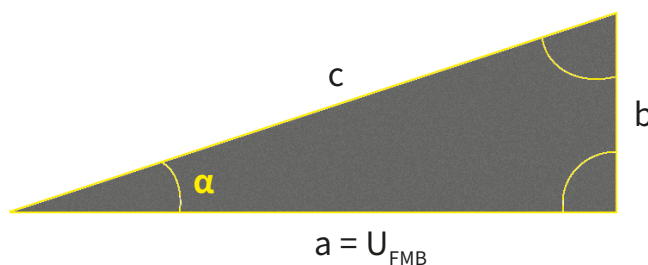
$$\longrightarrow U_{FMB} = \pi \times (D - (2 \times r_s))$$

采用刀具中心轨迹计算: 基底是直角三角形

α = 斜坡角

b = 每转加工深度 (节距)

a = 刀具中心轨迹周长



举例 缺少斜坡角 = ?

工件孔径

每转加工深度 (节距)

切削直径

D = 98 mm

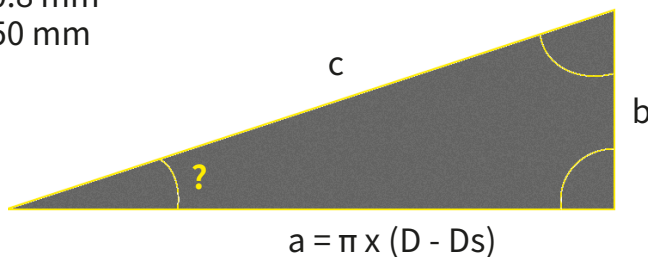
b = 0.8 mm

D_s = 50 mm

$$\tan \alpha = \frac{\text{对边 } b}{\text{邻边 } a}$$

$$\tan \alpha = \frac{0.8 \text{ mm}}{150.8 \text{ mm}}$$

$$\alpha = 0.30^\circ$$



刀具中心轨迹-理论值

DAH82	
切削刃Ø [mm]	切入角 [°]
20	5
25	3.9
32	2.8
35	2.4
40	1.9
42	1.8
50	1.4

DAH84	
切削刃Ø [mm]	切入角 [°]
50	2.7
52	2.5
63	1.8
66	1.7
80	1.3
85	1.2
100	1.0
125	0.8

螺旋插铣的推荐DAH82: $a_{p\max} = 1\text{ mm}$

- 每转进给量: $a_{p\max}$ 的 50% 作为初始值
 - 根据不同工况, 最大可能达到 $a_{p\max}$ 的 80%
 - 0.5 mm 至 0.8 mm 每转进给量

螺旋插铣的推荐DAH84: $a_{p\max} = 1.5\text{ mm}$

- 每转进给量: $a_{p\max}$ 的 67% 作为初始值
 - 根据不同工况, 最大可能达到 $a_{p\max}$ 的 80%
 - 1.0 mm 至 1.2 mm 每转进给量

可铣平底面的孔径计算 DAH82

$$D_{\min} = (D_s - a) \times 2$$

$$D_{\min} = (50 \text{ mm} - 6.8 \text{ mm}) \times 2$$

$$D_{\min} = 86.4 \text{ mm}$$



意味着:

切削直径 50 mm，可实现最大直径 86.4 mm 平底孔径。

$$D_{\max} = (D_s - r_x) \times 2$$

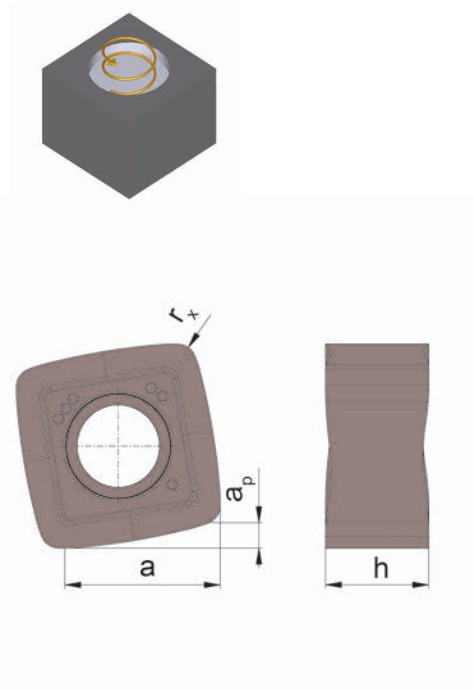
$$D_{\max} = (50 \text{ mm} - 0.8 \text{ mm}) \times 2$$

$$D_{\max} = 98.4 \text{ mm}$$



意味着:

切削直径 50 mm，可实现最大直径 98.4mm 非平底孔径。中间部位仍有材料残留。



$$r_x = 0.8 \text{ mm}$$

$$a = 6.8 \text{ mm}$$

可铣平底面的孔径计算 DAH84

$$D_{\min} = (Ds - a) \times 2$$

$$D_{\min} = (50 \text{ mm} - 9.8 \text{ mm}) \times 2$$

$$D_{\min} = 80.4 \text{ mm}$$



意味着:

切削直径 50 mm，可实现最大直径 80.4 mm 平底孔径。

$$D_{\max} = (Ds - r_x) \times 2$$

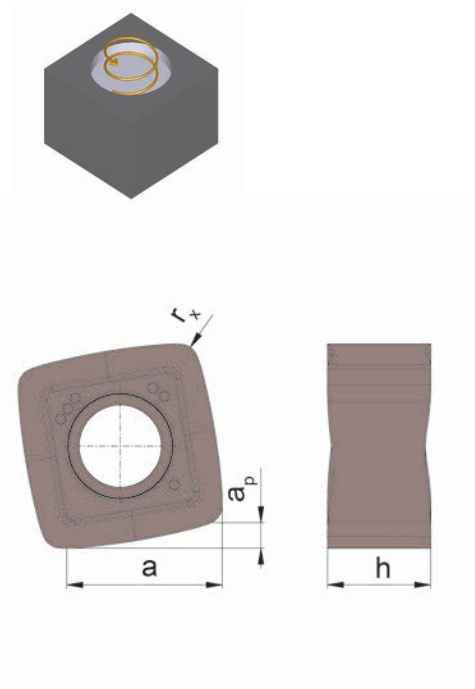
$$D_{\max} = (50 \text{ mm} - 1.2 \text{ mm}) \times 2$$

$$D_{\max} = 97.6 \text{ mm}$$



意味着:

切削直径 50 mm，可实现最大直径 97.6mm非平底孔径。中间部位仍有材料残留。

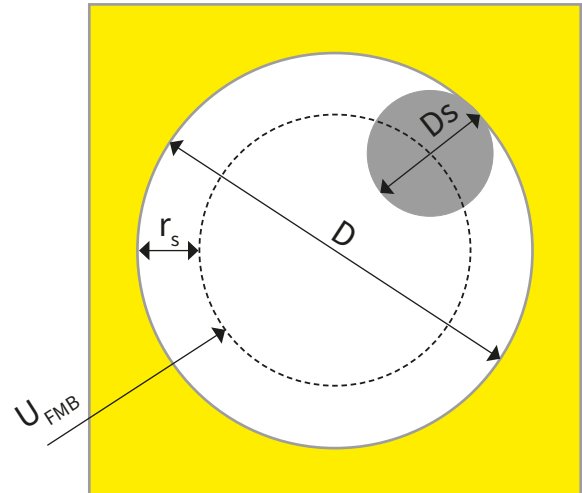


$$r_x = 1.2 \text{ mm}$$

$$a = 9.8 \text{ mm}$$

Calculation of cutter centre path

- D = Bore diameter of workpiece
- D_s = Cutting diameter
- r_s = Cutting radius
- U_{FMB} = Circumference of cutter centre path



$$U_{FMB} = \ddot{U} \times (\text{Bore diameter of workpiece} - \text{Cutting diameter})$$

$$\longrightarrow U_{FMB} = \pi \times (D - D_s)$$

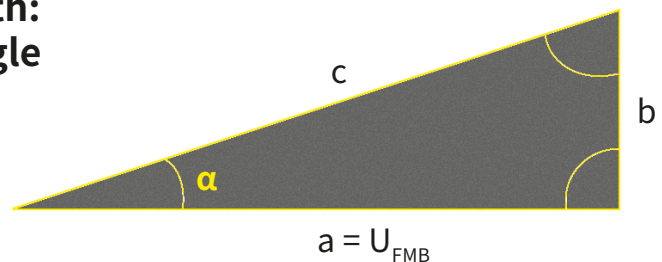
or

$$U_{FMB} = \ddot{U} \times (\text{Bore diameter of workpiece} - (2 \times \text{Cutting radius}))$$

$$\longrightarrow U_{FMB} = \pi \times (D - (2 \times r_s))$$

Calculation using cutter centre path: The basis is the right-angled triangle

- α = Ramp angle
- b = Depth of cut per rotation (Pitch)
- a = Circumference of cutter centre path



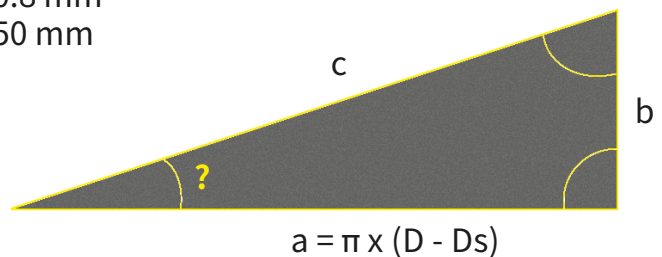
Example of missing ramp angle = ?

- Bore diameter of workpiece D = 98 mm
- Depth of cut per rotation b = 0.8 mm
- Cutting diameter D_s = 50 mm

$$\tan \alpha = \frac{\text{Opposite side } b}{\text{Adjacent side } a}$$

$$\tan \alpha = \frac{0.8 \text{ mm}}{150.8 \text{ mm}}$$

$$\alpha = 0.30^\circ$$



Cutter centre path - Theoretical values

DAH82	
Cutting Ø [mm]	Plunge angle [°]
20	5
25	3.9
32	2.8
35	2.4
40	1.9
42	1.8
50	1.4

DAH84	
Cutting Ø [mm]	Plunge angle [°]
50	2.7
52	2.5
63	1.8
66	1.7
80	1.3
85	1.2
100	1.0
125	0.8

Recommendation for helical plunging DAH82:

$$a_{p \max} = 1 \text{ mm}$$

→ Feed per revolution: 50% of $a_{p \max}$ as starting value

→ Depending on conditions, up to 80 % of the $a_{p \max}$ possible

→ 0.5 mm up to 0.8 mm feed per revolution

Recommendation for helical plunging DAH84:

$$a_{p \max} = 1.5 \text{ mm}$$

→ Feed per revolution: 67% of $a_{p \max}$ as starting value

→ Depending on conditions, up to 80 % of the $a_{p \max}$ possible

→ 1.0 mm up to 1.2 mm feed per revolution

Calculation of bore diameter with flat base DAH82

$$D_{\min} = (Ds - a) \times 2$$

$$D_{\min} = (50 \text{ mm} - 6.8 \text{ mm}) \times 2$$

$$D_{\min} = \mathbf{86.4 \text{ mm}}$$



Meaning:

With a cutting diameter 50 mm, a bore diameter of 86.4 mm **with** a flat base can be achieved.

$$D_{\max} = (Ds - r_x) \times 2$$

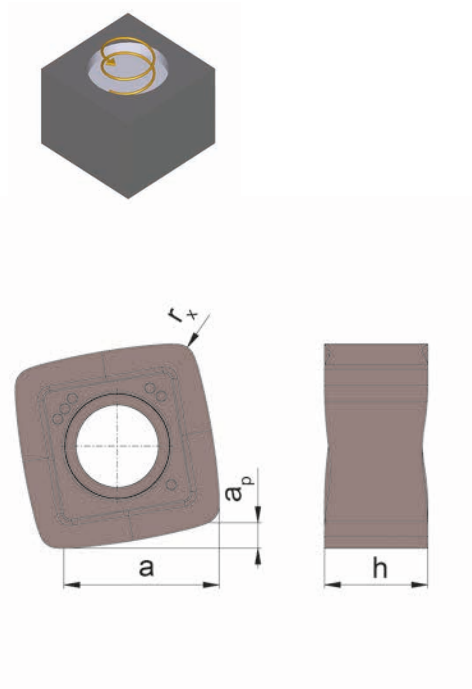
$$D_{\max} = (50 \text{ mm} - 0.8 \text{ mm}) \times 2$$

$$D_{\max} = \mathbf{98.4 \text{ mm}}$$



Meaning:

With a cutting diameter 50 mm, a diameter of 98.4 mm **without** a flat base can be achieved. Material remains in the centre.



$$r_x = 0.8 \text{ mm}$$

$$a = 6.8 \text{ mm}$$

Calculation of bore diameter with flat base DAH84

$$D_{\min} = (Ds - a) \times 2$$

$$D_{\min} = (50 \text{ mm} - 9.8 \text{ mm}) \times 2$$

$$D_{\min} = 80.4 \text{ mm}$$



Meaning:

With a cutting diameter 50 mm, of a bore diameter of 80.4 mm **with** a flat base can be achieved.

$$D_{\max} = (Ds - r_x) \times 2$$

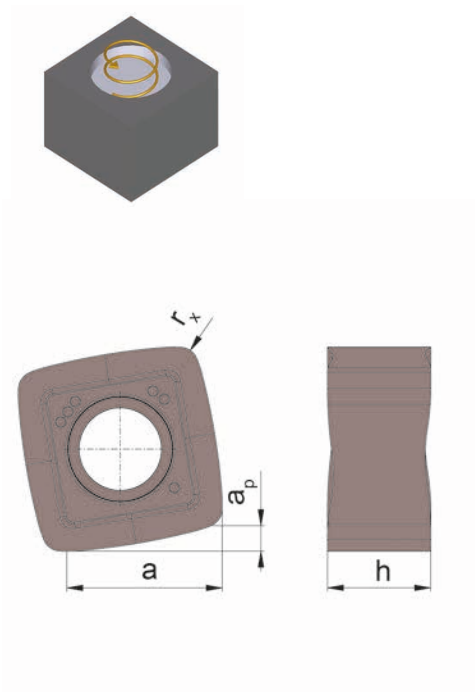
$$D_{\max} = (50 \text{ mm} - 1.2 \text{ mm}) \times 2$$

$$D_{\max} = 97.6 \text{ mm}$$



Meaning:

With a cutting diameter 50 mm, a diameter of 97.6 mm **without** a flat base can be achieved. Material remains in the centre.



$$r_x = 1.2 \text{ mm}$$

$$a = 9.8 \text{ mm}$$

修正因子 - 为什么?

Correction factors - why?

- 使用快进给铣刀时，有效切削直径与规定值不一致。
- 修正系数取决于切削深度 a_p 。
- 应用于平面铣削
- 平面铣削有效 D_s 的计算: **有效 $D_s = D_s - K$**

- When using a high feed milling cutter, the effective cutting diameter is not identical with the specified value.
- The correction factors are dependent on the cutting depth a_p .
- This applies to face milling.
- Calculation for D_s effective for face milling: **$D_s \text{ effective} = D_s - K$**

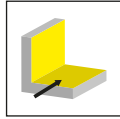
DAH82	
切深 Depth of cut a_p [mm]	修正数值 Correction factor K [mm]
0.1	10.9
0.2	9.5
0.3	8.3
0.4	7.0
0.5	5.9
0.6	4.8
0.7	3.9
0.8	3.0
0.9	2.2
1.0	1.6

DAH84	
切深 Depth of cut a_p [mm]	修正数值 Correction factor K [mm]
0.1	16.3
0.2	14.6
0.3	13.0
0.4	11.7
0.5	10.4
0.6	9.3
0.7	8.2
0.8	7.3
0.9	6.4
1.0	5.6
1.1	4.9
1.2	4.1
1.3	3.5
1.4	2.8
1.5	2.3



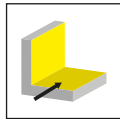
系列/System	页/Page
M406	524
M409	534
M610	558

杆式铣刀
End Mill
M406



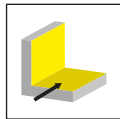
页/Page
526-528

螺纹锁紧铣刀
Screw-in cutter
M406



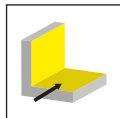
页/Page
529

芯轴刀柄式铣刀
Arbour Mounted Cutter
M406



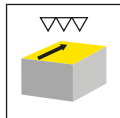
页/Page
530

可转位刀片
Indexable insert
406



页/Page
531

刀片
Insert
406



页/Page
532

M406

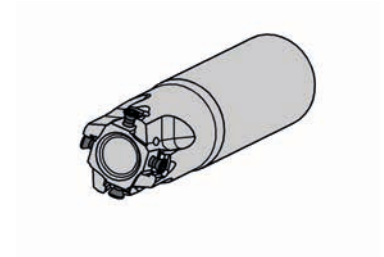
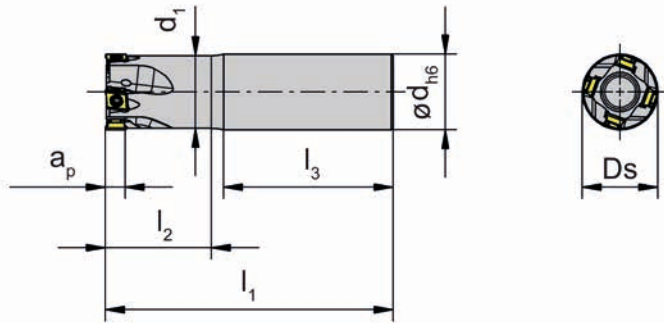
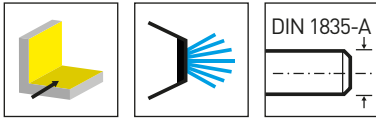


立装铣削系列 406

- 90° 技术信息
- 90° 螺纹锁紧铣刀
- 芯轴刀柄式铣刀

Tangential milling with system 406

- 90° End Mill
- 90° Screw-in Cutter
- Arbour Mounted Cutter



图示=右手型

Picture = right hand cutting version

产品型号 Part number	Z	Ds	d	l ₁	l ₂	d ₁	l ₃	a _p	n _{max}	HWS
M406.016.D16.3.02A	2	16	16	75	25	15	48	6.3	23700	40600R
M406.020.D20.4.03A	3	20	20	85	33	19	50	6.3	21200	40600R
M406.025.D25.5.04A	4	25	25	95	37	24	56	6.3	19000	40600R
M406.032.D32.6.05A	5	32	32	111	47	31	60	6.3	16700	40600R
M406.040.D32.6.06A	6	40	32	111	49	39	60	6.3	15000	40600R

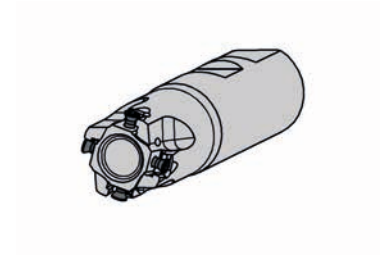
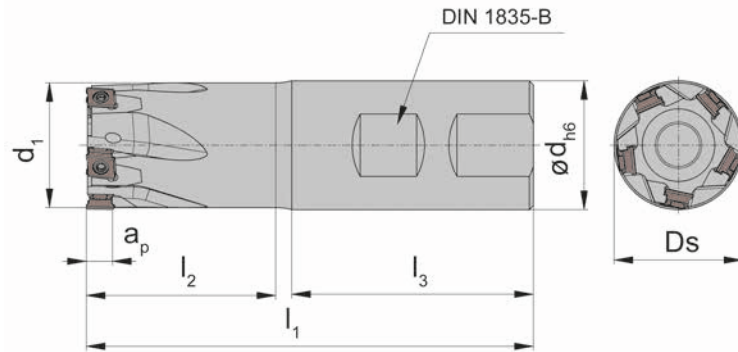
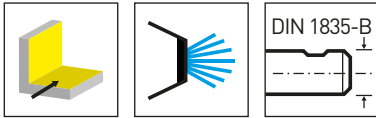
配件

Spare Parts

杆式铣刀 End Mill	锁紧螺钉 Clamping Screw	TORX PLUS®扳手 TORX PLUS® Wrench
M406...02A -...03A	030.2669.T8P	T8PL
M406...04A -...06A	030.2608.T8P	T8PL

杆式铣刀 End Mill

M406

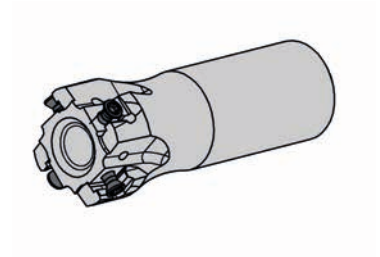
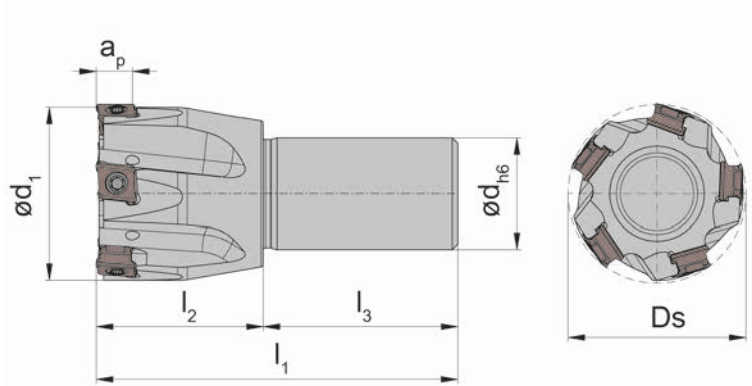
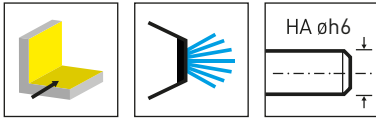


图示=右手型
Picture = right hand cutting version

产品型号 Part number	Z	Ds	d	l ₁	l ₂	d ₁	l ₃	a _p	n _{max}	HWS
M406.016.D16.3.02B	2	16	16	75	25	15	48	6.3	23700	40600R
M406.020.D20.4.03B	3	20	20	85	33	19	50	6.3	21200	40600R
M406.025.D25.5.04B	4	25	25	95	37	24	56	6.3	19000	40600R
M406.032.D32.6.05B	5	32	32	111	47	31	60	6.3	16700	40600R

配件 Spare Parts

杆式铣刀 End Mill	锁紧螺钉 Clamping Screw	TORX PLUS®扳手 TORX PLUS® Wrench
M406...02B -...03B	030.2669.T8P	T8PL
M406...04B -...06B	030.2608.T8P	T8PL

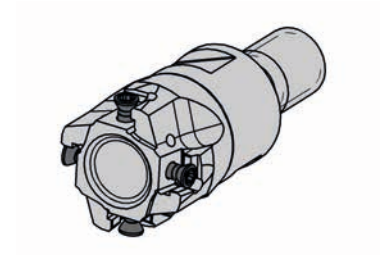
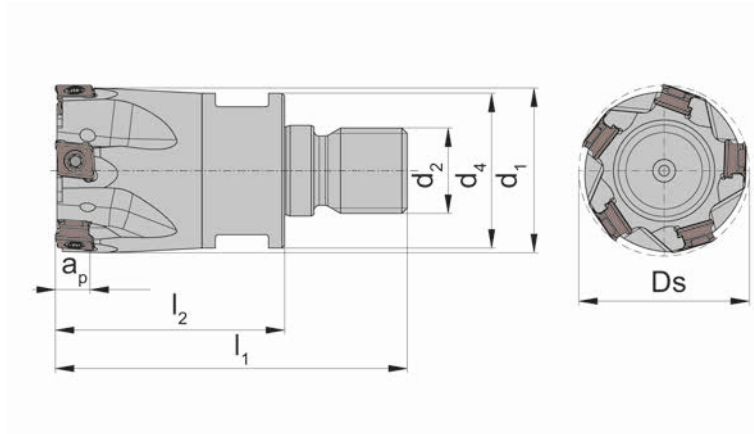
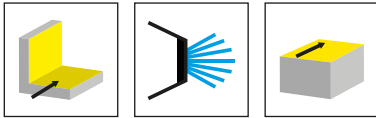


图示=右手型
Picture = right hand cutting version

产品型号 Part number	Z	Ds	d	l ₁	l ₂	d ₁	l ₃	a _p	n _{max}	HWS
M406.016.D12.1.02A	2	16	12	55	20	15	35	6.3	23700	40600R
M406.020.D16.1.03A	3	20	16	55	20	19	35	6.3	21200	40600R
M406.025.D16.2.04A	4	25	16	65	30	24	35	6.3	19000	40600R
M406.025.D20.2.04A	4	25	20	65	30	24	35	6.3	19000	40600R
M406.032.D16.2.05A	5	32	16	65	30	31	35	6.3	16700	40600R
M406.032.D20.2.05A	5	32	20	65	30	31	35	6.3	16700	40600R
M406.040.D16.2.06A	6	40	16	65	30	39	35	6.3	15000	40600R
M406.040.D20.2.06A	6	40	20	65	30	39	35	6.3	15000	40600R

配件
Spare Parts

杆式铣刀 End Mill	锁紧螺钉 Clamping Screw	TORX PLUS®扳手 TORX PLUS® Wrench
M406...02A -...03A	030.2669.T8P	T8PL
M406...04A -...06A	030.2608.T8P	T8PL

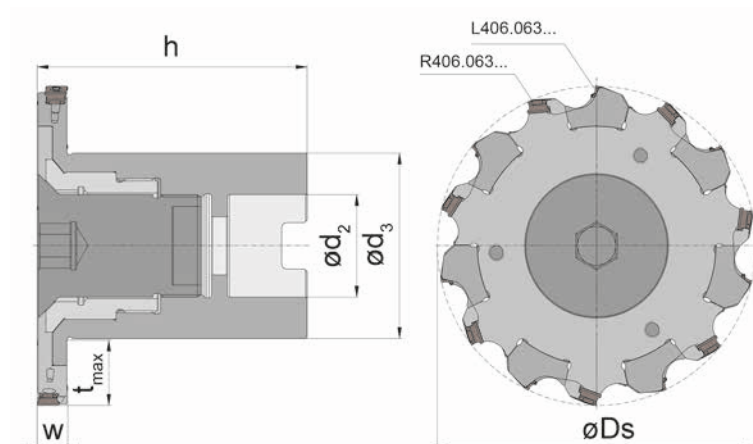
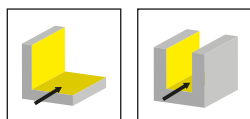


图示=右手型
Picture = right hand cutting version

产品型号 Part number	Z	Ds	l ₁	l ₂	d ₁	a _p	d ₂	d ₄	SW	n _{max}	HWS	HMS
M406.016.M08.3.02	2	16	41	23	15	6.3	M8	13	10	23700	40600R	08001
M406.020.M10.4.03	3	20	50	30	19	6.3	M10	18	15	21200	40600R	10001
M406.025.M12.5.04	4	25	57	35	24	6.3	M12	21	17	19000	40600R	12001
M406.032.M16.6.05	5	32	66	43	31	6.3	M16	29	24	16700	40600R	16001
M406.040.M16.6.06	6	40	66	43	39	6.3	M16	29	24	15000	40600R	16001

配件
Spare Parts

螺纹锁紧铣刀 Screw-in cutter	锁紧螺钉 Clamping Screw	TORX PLUS®扳手 TORX PLUS® Wrench
M406...02 -...03	030.2669.T8P	T8PL
M406...04 -...06	030.2608.T8P	T8PL



产品型号 Part number	Z	Z _{eff}	Ds	t _{max}	h _{min}	h _{max}	d ₃	d ₂	w _{min}	w _{max}	右手型刀片 right hand insert	左手型刀片 left hand insert	HWS
M406.0100.A32.ES.96	14	7	100	20	84.8	88.1	58	32	9.6	12.9	7x R406.063...	7x L406.063...	40600R • 40600L

芯轴刀柄式铣刀可调节！
Arbour mounted cutter is adjustable!

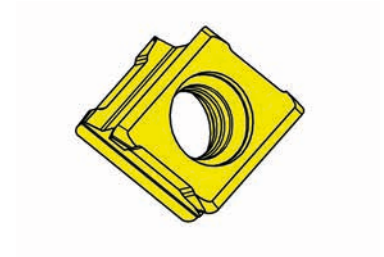
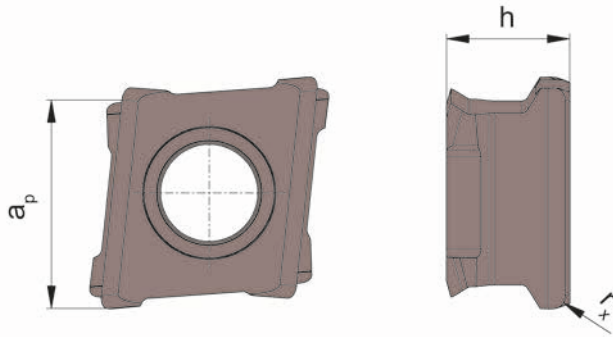
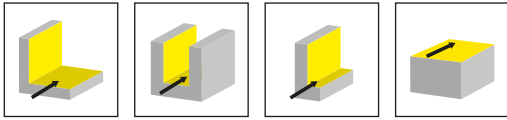
配件 Spare Parts

芯轴刀柄式铣刀 Arbour Mounted Cutter	螺钉 Screw	锁紧螺钉 Clamping Screw	TORX PLUS®扳手 TORX PLUS® Wrench	调整适配器 Adjustment Adapter
M406.0100.A32.ES.96	C406.0100.A32.ES.96	030.2608.T8P	T8PL	A406.0100.A32.ES.96

可转位刀片

Indexable insert

406



硬质合金牌号
Carbide grades

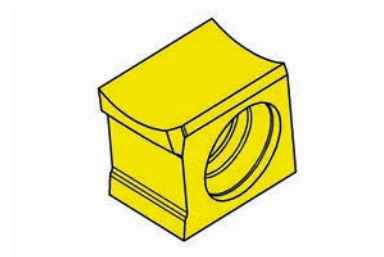
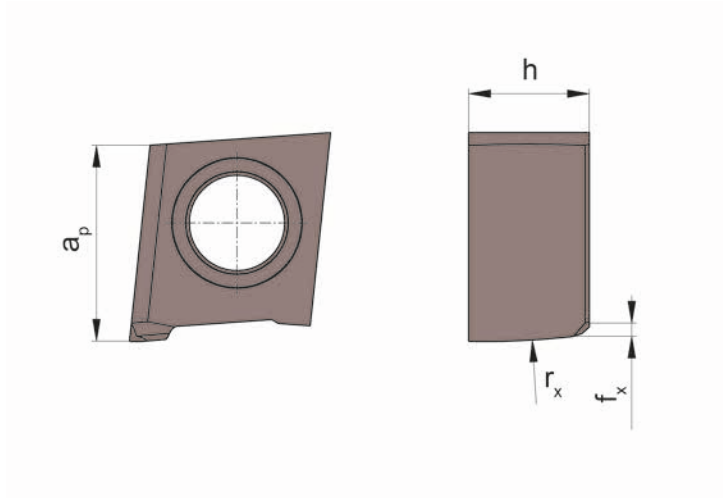
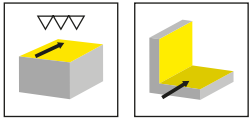
▲ 库存
on stock

△ 4周
4 weeks

产品型号 Part number	a_p	h	r_x	HIS		K10	AS46	AS4B	IG35	NE2B
R406.063.U.02	6.3	3.85	0.2	40600R			△	▲		
R406.063.U.04	6.3	3.85	0.4	40600R			▲	▲		
R406.063.U.08	6.3	3.85	0.8	40600R			▲	▲		
R406.063.W.02	6.3	3.85	0.2	40600R	▲				▲	▲
R406.063.W.04	6.3	3.85	0.4	40600R					▲	▲
R406.063.W.08	6.3	3.85	0.8	40600R					▲	▲
L406.063.U.02	6.3	3.85	0.2	40600L			△	▲		
L406.063.U.04	6.3	3.85	0.4	40600L			▲	▲		
L406.063.U.08	6.3	3.85	0.8	40600L			▲	▲		
L406.063.W.02	6.3	3.85	0.2	40600L	▲				▲	▲
L406.063.W.04	6.3	3.85	0.4	40600L					▲	▲
L406.063.W.08	6.3	3.85	0.8	40600L					▲	▲
					P	●	○	●	-	-
					M	○	○	●	●	-
					K	●	●	●	-	-
					N	●	○	○	-	●
					S	○	○	●	●	-
					H	-	-	-	-	-

4个切削刃刀片
with 4 usable cutting edges

精密磨削
precision ground



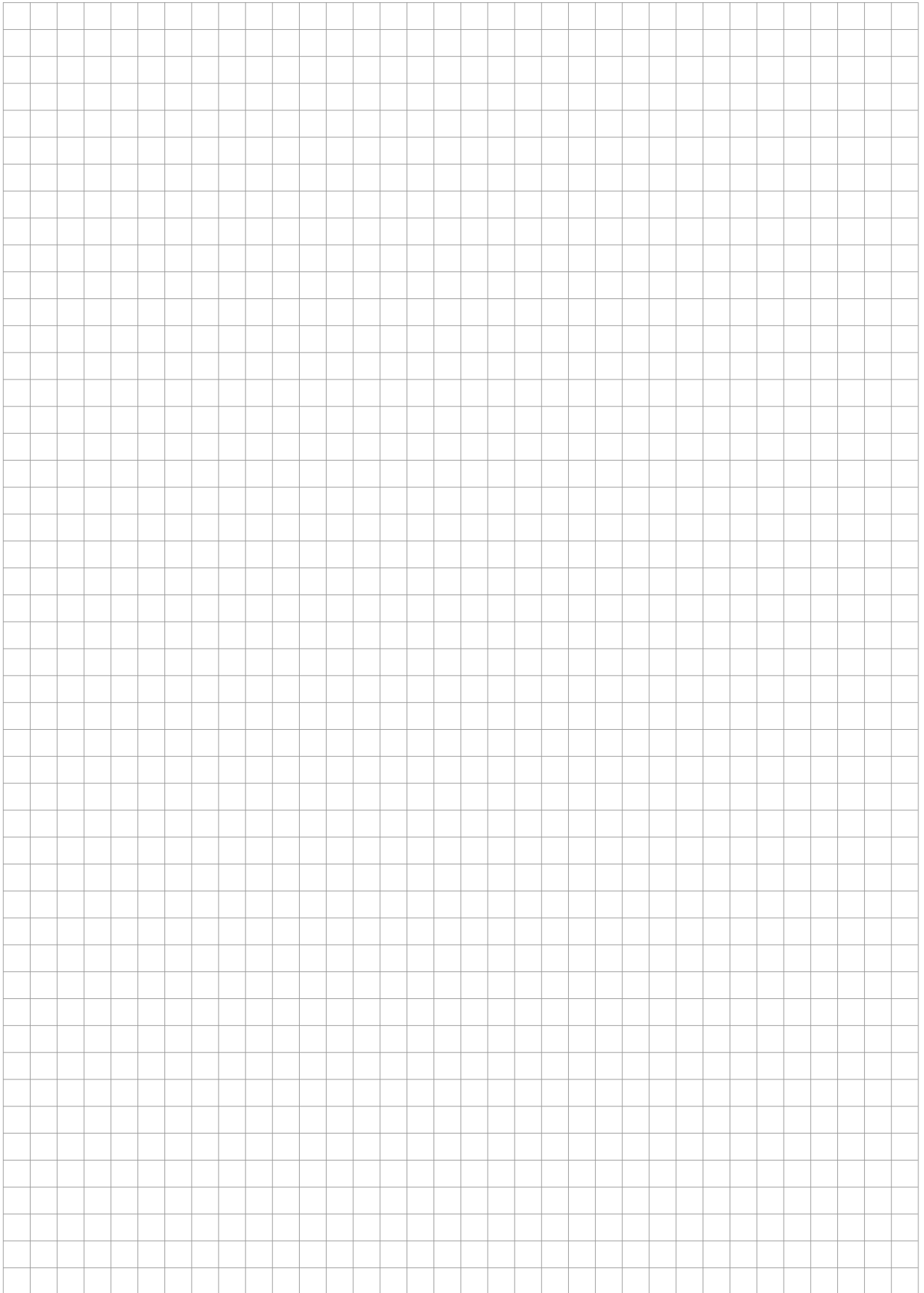
硬质合金牌号
Carbide grades

▲ 库存
on stock

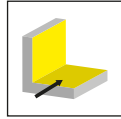
△ 4周
4 weeks

产品型号 Part number	a_p	h	r_x	f_x	HIS		AS46	AS4B
R406.063.S.F4	6	3.85	100	0.4	40600R		▲	▲
							P	●
							M	●
							K	●
							N	○
							S	○
							H	-

修光刃几何角度，精密磨削
Wiper geometry, precision ground



杆式铣刀
End Mill
M409

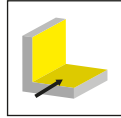


页/Page
536-538

安装说明
Mounting Instructions

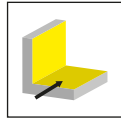
页/Page
552-557

螺纹锁紧铣刀
Screw-in cutter
M409



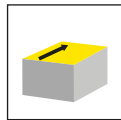
页/Page
539

方肩铣
Shoulder Mill
M409



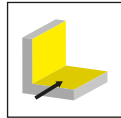
页/Page
540-541

面铣
Face Mill
M409



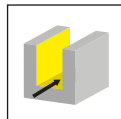
页/Page
542-545

玉米铣
Shell End Mill
M409



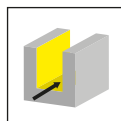
页/Page
546

盘铣刀
Disc Milling Cutter
M409



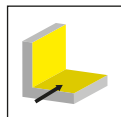
页/Page
547

芯轴刀柄式铣刀
Arbour Mounted Cutter
M409

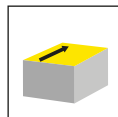


页/Page
548

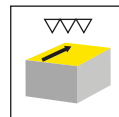
可转位刀片
Indexable insert
409



页/Page
549



页/Page
550



页/Page
551

M409

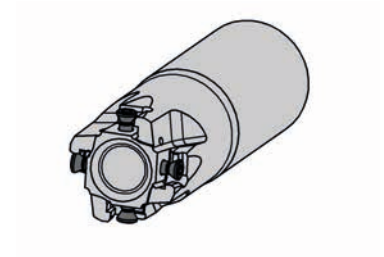
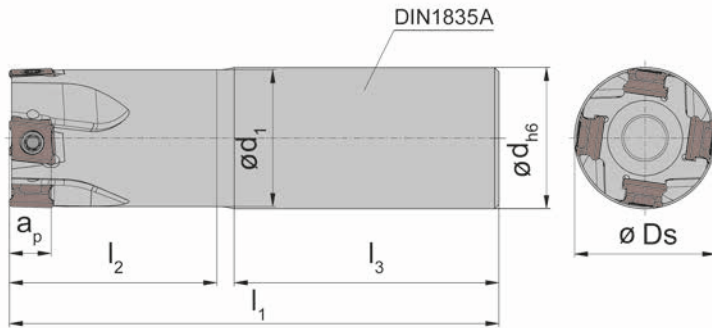
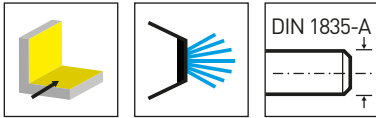


立装铣削系列 409

- 90° 技术信息
- 90° 螺纹锁紧铣刀
- 方肩铣
- 面铣
- 玉米铣
- 盘铣刀
- 芯轴刀柄式铣刀

Tangential milling with system 409

- 90° End Mill
- 90° Screw-in cutter
- Shoulder Mill
- Face Mill
- Shell End Mill
- Disc Milling cutter
- Arbour Mounted Cutter



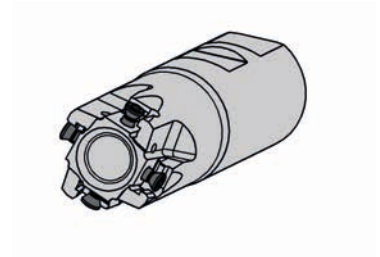
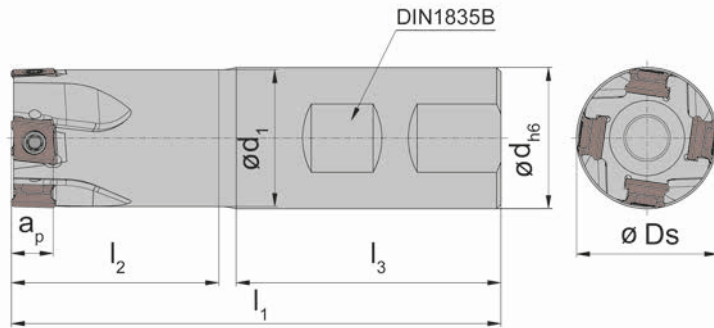
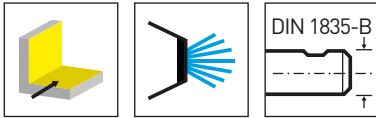
图示=右手型
Picture = right hand cutting version

产品型号 Part number	Z	Ds	d	l ₁	l ₂	d ₁	l ₃	a _p	形式 Form	n _{max}	HWS
M409.032.D32.6.04A	4	32	32	111	47	31	60	9.3	A	15600	40900R
M409.040.D32.6.05A	5	40	32	111	47	39	60	9.3	A	13900	40900R

密齿
narrow pitch

配件
Spare Parts

杆式铣刀 End Mill	锁紧螺钉 Clamping Screw	TORX PLUS®扳手 TORX PLUS® Wrench
M409...	030.3511.T10P	T10PL



图示=右手型

Picture = right hand cutting version

产品型号 Part number	Z	Ds	d	l_1	l_2	d_1	l_3	a_p	形式 Form	n_{max}	HWS
M409.032.D32.6.04B	4	32	32	111	47	31	60	9.3	B	15600	40900R
M409.040.D32.6.05B	5	40	32	111	47	39	60	9.3	B	13900	40900R

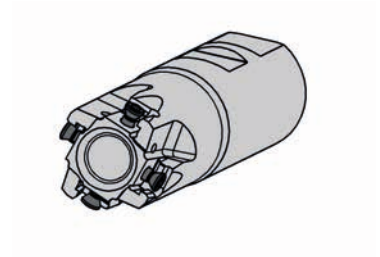
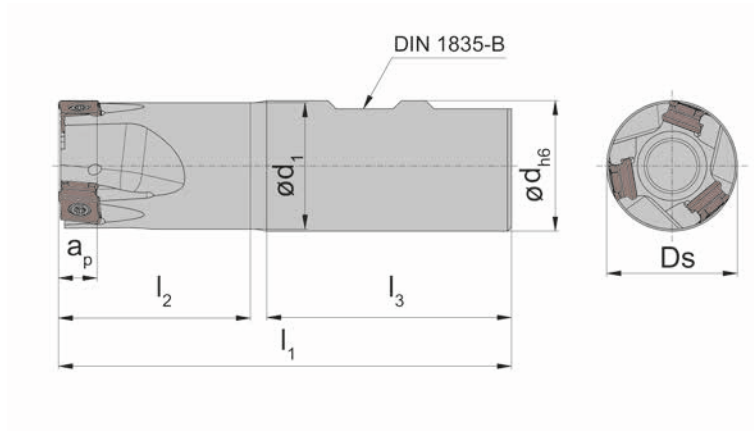
密齿

narrow pitch

配件

Spare Parts

杆式铣刀 End Mill	锁紧螺钉 Clamping Screw	TORX PLUS®扳手 TORX PLUS® Wrench
M409...	030.3511.T10P	T10PL



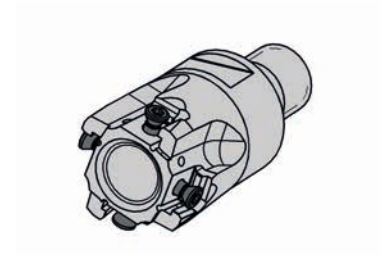
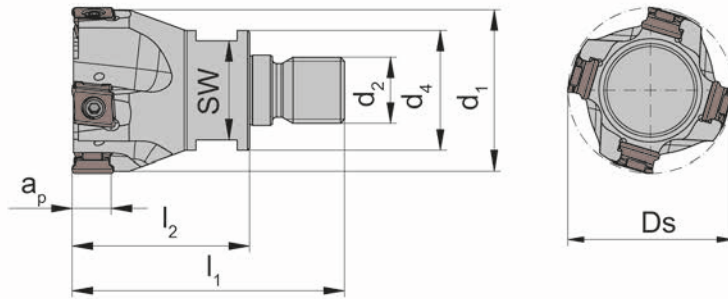
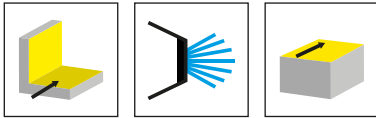
图示=右手型
Picture = right hand cutting version

产品型号 Part number	Z	Ds	d	l ₁	l ₂	d ₁	l ₃	a _p	形式 Form	n _{max}	HWS
M409.032.D32.6.03B	3	32	32	111	47	31	60	9.3	B	15600	40900R
M409.040.D32.6.04B	4	40	32	111	47	39	60	9.3	B	13900	40900R

梳齿
wide pitch

配件
Spare Parts

杆式铣刀 End Mill	锁紧螺钉 Clamping Screw	TORX PLUS®扳手 TORX PLUS® Wrench
M409...	030.3511.T10P	T10PL

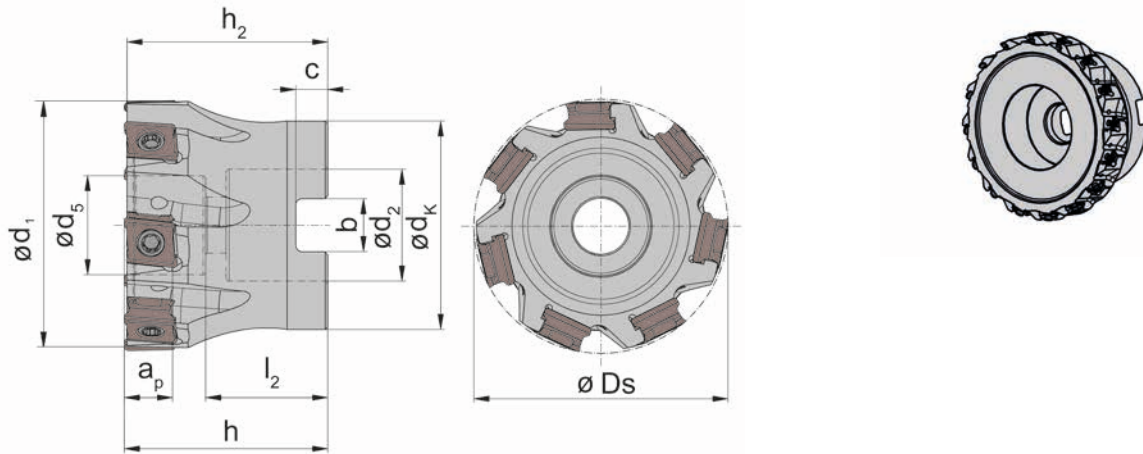
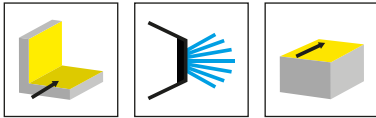


图示=右手型
Picture = right hand cutting version

产品型号 Part number	Z	Ds	l ₁	l ₂	d ₁	a _p	d ₂	d ₄	SW	n _{max}	HWS	HMS
M409.032.M16.6.03	3	32	66	43	31	9.3	M16	29	24	15600	40900R	16001
M409.032.M16.6.04	4	32	66	43	31	9.3	M16	29	24	15600	40900R	16001
M409.040.M16.6.04	4	40	66	43	39	9.3	M16	29	24	13900	40900R	16001
M409.040.M16.6.05	5	40	66	43	39	9.3	M16	29	24	13900	40900R	16001

配件
Spare Parts

螺纹锁紧铣刀 Screw-in cutter	锁紧螺钉 Clamping Screw	TORX PLUS®扳手 TORX PLUS® Wrench
M409...	030.3511.T10P	T10PL



图示=右手型

Picture = right hand cutting version

产品型号 Part number	Z	Ds	ap	h ₂	h	d ₅	d ₁	d ₂	l ₂	b	C	d _k	n _{max}	HWS
M409.0040.A16.05	5	40	9.3	34.5	35	16	39	16	22	8.4	5.6	33	13900	40900R
M409.0050.A22.07	7	50	9.3	39.5	40	19.5	49	22	24	10.4	6.3	41	12500	40900R
M409.0063.A22.08	8	63	9.3	39.5	40	19.5	62	22	25	10.4	6.3	49	11100	40900R
M409.0063.A27.08	8	63	9.3	39.5	40	23	62	27	27.5	12.4	7	49	11100	40900R
M409.0080.A27.10	10	80	9.3	49.5	50	21.5	79	27	28	12.4	7	59	9800	40900R
M409.0100.A32.12	12	100	9.3	49.5	50	30	99	32	33	14.4	8	80	8800	40900R
M409.0125.A40.16	16	125	9.3	62.5	63	56	124	40	35	16.4	9	89	7900	40900R
M409.0160.A40.20	20	160	9.3	62.5	63	90	159	40	29	16.4	9	110	6900	40900R
M409.0200.A60.24	24	200	9.3	62.5	63	135	199	60	42	25.7	14	130	6200	40900R
M409.0250.A60.30	30	250	9.3	62.5	63	150	249	60	42	25.7	14	160	5500	40900R

芯轴接口: $\phi 100$ mm 以下根据 DIN 8030-A, $\phi 125$ mm 根据 DIN8030-B, $\phi 160$ mm 根据 DIN8030-C
up to $\phi 100$ mm arbour mounted cutter as per DIN 8030-A, $\phi 125$ DIN8030-B, from $\phi 160$ mm DIN 8030-C

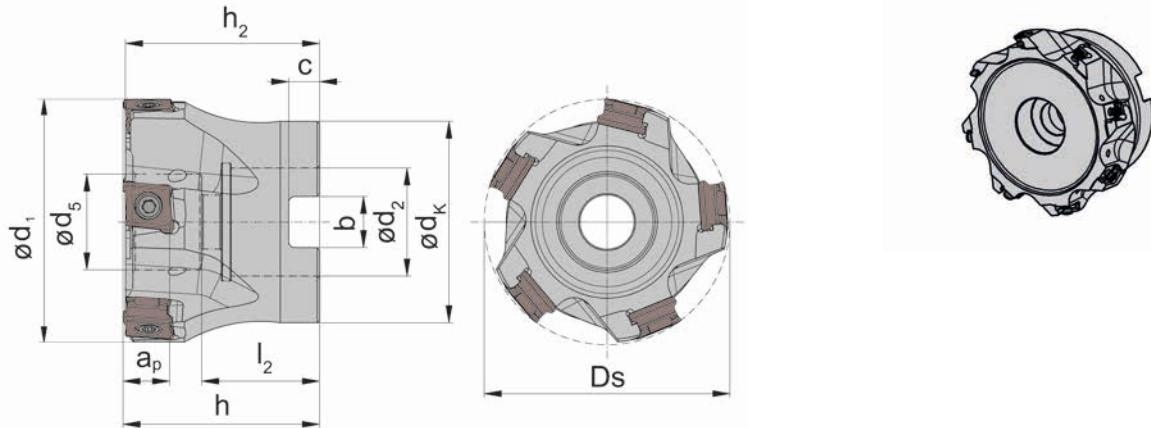
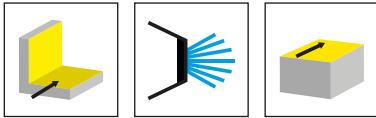
大于 $\phi 160$ mm, 可用性 & 内冷根据客户要求

from $\phi 160$ mm: availability and internal coolant upon customers request

配件

Spare Parts

方肩铣 Shoulder Mill	锁紧螺钉 Clamping Screw	TORX PLUS®扳手 TORX PLUS® Wrench	锁紧栓 Tightening Bolt
M409...	030.3511.T10P	T10PL	
M409.0...A40...	030.3511.T10P	T10PL	20.30.6367
M409.0...A60...	030.3511.T10P	T10PL	30.45.6367



图示=右手型
Picture = right hand cutting version

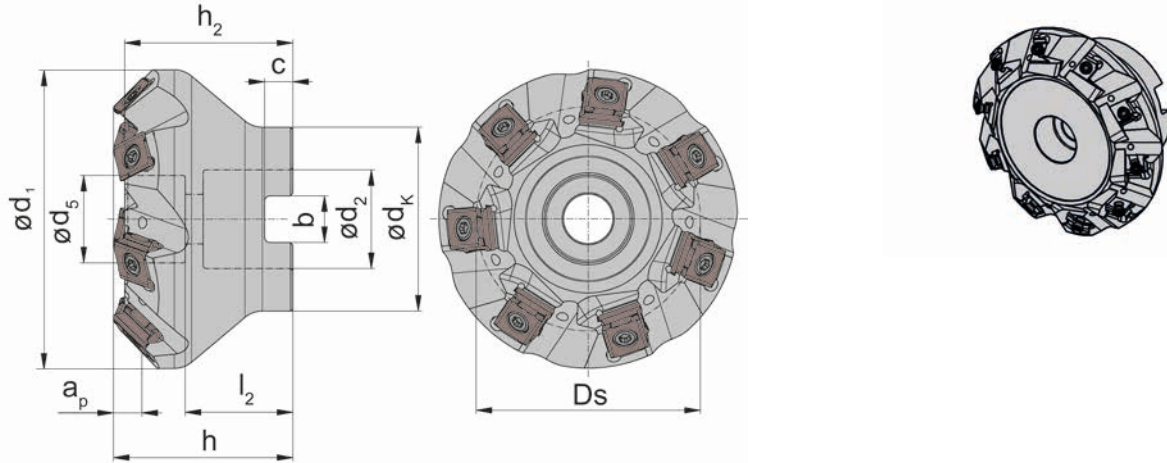
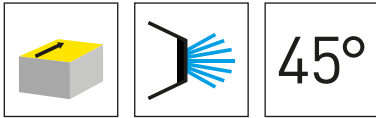
产品型号 Part number	Z	Ds	ap	h ₂	h	d ₅	d ₁	d ₂	l ₂	b	C	d _k	n _{max}	HWS
M409.0040.A16.04	4	40	9.3	34.5	35	16	39	16	22	8.4	5.6	33	13900	40900R
M409.0050.A22.05	5	50	9.3	39.5	40	19.5	49	22	24	10.4	6.3	41	12500	40900R
M409.0063.A22.06	6	63	9.3	39.5	40	19.5	62	22	25	10.4	6.3	49	11100	40900R
M409.0063.A27.06	6	63	9.3	39.5	40	23	62	27	27.5	12.4	7	49	11100	40900R
M409.0080.A27.07	7	80	9.3	49.5	50	21.5	79	27	28	12.4	7	59	9800	40900R
M409.0100.A32.08	8	100	9.3	49.5	50	30	99	32	33	14.4	8	80	8800	40900R
M409.0125.A40.10	10	125	9.3	62.5	63	56	124	40	35	16.4	9	89	7900	40900R
M409.0160.A40.14	14	160	9.3	62.5	63	90	159	40	29	16.4	9	110	6900	40900R
M409.0200.A60.16	16	200	9.3	62.5	63	135	199	60	42	25.7	14	130	6200	40900R
M409.0250.A60.20	20	250	9.3	62.5	63	150	249	60	42	25.7	14	160	5500	40900R

芯轴接口: ø100 mm 以下根据 DIN 8030-A, ø125 mm 根据 DIN8030-B, ø160 mm 根据 DIN8030-C
up to ø100 mm arbour mounted cutter as per DIN 8030-A, ø125 DIN8030-B, from ø160 mm DIN 8030-C

大于ø160 mm, 可用性 & 内冷根据客户要求
from ø160 mm: availability and internal coolant upon customers request

配件 Spare Parts

方肩铣 Shoulder Mill	锁紧螺钉 Clamping Screw	TORX PLUS®扳手 TORX PLUS® Wrench	锁紧栓 Tightening Bolt
M409...	030.3511.T10P	T10PL	
M409.0...A40...	030.3511.T10P	T10PL	20.30.6367
M409.0...A60...	030.3511.T10P	T10PL	30.45.6367



图示=右手型
Picture = right hand cutting version

产品型号 Part number	Z	Ds	ap	h ₂	h	d ₅	d ₁	d ₂	l ₂	b	C	d _k	n _{max}	HWS
M409.0040.A16.45.05	5	40	6.2	32.5	35	16	55	16	22	8.4	5.6	33	13900	40900R
M409.0050.A22.45.07	7	50	6.2	37.5	40	19.5	67	22	24	10.4	6.3	41	12500	40900R
M409.0063.A22.45.08	8	63	6.2	37.5	40	19.5	80	22	25	10.4	6.3	49	11100	40900R
M409.0063.A27.45.08	8	63	6.2	37.5	40	22	79	27	27.5	12.4	7	49	11100	40900R
M409.0080.A27.45.10	10	80	6.2	47.5	50	22	96	27	27.5	12.4	7	59	9800	40900R
M409.0125.A40.45.16	16	125	6.2	60.5	63	56	141	40	35	16.4	9	89	7900	40900R
M409.0160.A40.45.20	20	160	6.2	60.5	63	90	176	40	29	16.4	9	110	6900	40900R
M409.0200.A60.45.24	24	200	6.2	60.5	63	135	216	60	42	25.7	14	130	6200	40900R
M409.0250.A60.45.30	30	250	6.2	60.5	63	150	266	60	42	25.7	14	160	5500	40900R

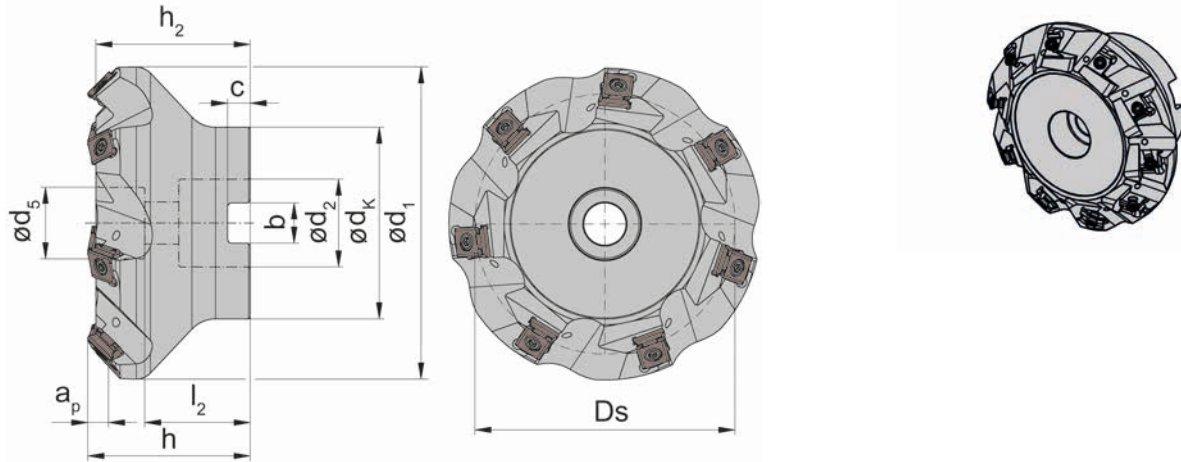
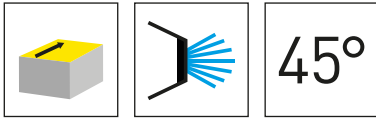
芯轴接口: $\varnothing 100$ mm 以下根据 DIN 8030-A, $\varnothing 125$ mm 根据 DIN8030-B, $\varnothing 160$ mm 根据 DIN8030-C
up to $\varnothing 100$ mm arbour mounted cutter as per DIN 8030-A, $\varnothing 125$ DIN8030-B, from $\varnothing 160$ mm DIN 8030-C

使用圆角 $r_x = 0.8$ mm 刀片可达到 $a_p = 6.2$ mm
 $a_p = 6.2$ mm can be reached with $r_x = 0.8$ mm

大于 $\varnothing 160$ mm, 可用性 & 内冷根据客户要求
from $\varnothing 160$ mm: availability and internal coolant upon customers request

配件
Spare Parts

面铣 Face Mill	锁紧螺钉 Clamping Screw	TORX PLUS®扳手 TORX PLUS® Wrench	锁紧栓 Tightening Bolt
M409.0...	030.3511.T10P	T10PL	
M409.0...A40...	030.3511.T10P	T10PL	20.30.6367
M409.0...A60...	030.3511.T10P	T10PL	30.45.6367



图示=右手型

Picture = right hand cutting version

产品型号 Part number	Z	Ds	ap	h ₂	h	d ₅	d ₁	d ₂	l ₂	b	C	d _k	n _{max}	HWS
M409.0040.A16.45.04	4	40	6.2	32.5	35	17	55	16	18	8.4	5.6	33	13900	40900R
M409.0050.A22.45.05	5	50	6.2	37.5	40	20	67	22	20	10.4	6.3	41	12500	40900R
M409.0063.A22.45.06	6	63	6.2	37.5	40	20	79	22	20	10.4	6.3	49	11100	40900R
M409.0080.A27.45.07	7	80	6.2	47.5	50	22	96	27	27.5	12.4	7	59	9800	40900R
M409.0100.A32.45.08	8	100	6.2	47.5	50	30	116	32	32.5	14.4	8	80	8800	40900R
M409.0160.A40.45.14	14	160	6.2	60.5	63	90	176	40	29	16.4	9	110	6900	40900R
M409.0200.A60.45.16	16	200	6.2	60.5	63	135	216	40	42	25.7	14	130	6200	40900R

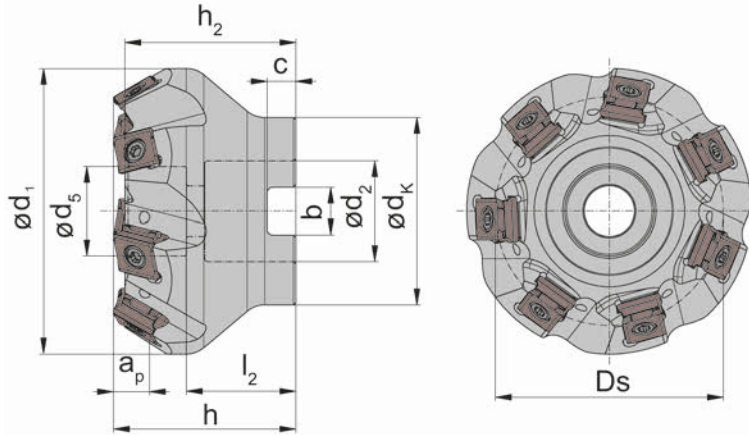
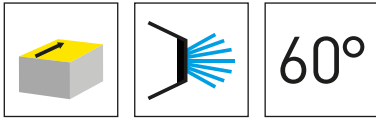
芯轴接口: $\phi 100$ mm 以下根据 DIN 8030-A, $\phi 125$ mm 根据 DIN8030-B, $\phi 160$ mm 根据 DIN8030-C
up to $\phi 100$ mm arbour mounted cutter as per DIN 8030-A, $\phi 125$ DIN8030-B, from $\phi 160$ mm DIN 8030-C

使用圆角 $r_x = 0.8$ mm 刀片可达到 $a_p = 6.2$ mm
ap = 6,2 mm can be reached with $r_x = 0,8$ mm

大于 $\phi 160$ mm, 可用性 & 内冷根据客户要求
from $\phi 160$ mm: availability and internal coolant upon customers request

配件
Spare Parts

面铣 Face Mill	锁紧螺钉 Clamping Screw	TORX PLUS®扳手 TORX PLUS® Wrench	锁紧栓 Tightening Bolt
M409...	030.3511.T10P	T10PL	
M409.0160.A40.45.14	030.3511.T10P	T10PL	20.30.6367
M409.0200.A60.45.16	030.3511.T10P	T10PL	30.45.6367



图示=右手型

Picture = right hand cutting version

产品型号 Part number	Z	Ds	ap	h ₂	h	d ₅	d ₁	d ₂	b	C	d _k	n _{max}	HWS
M409.0040.A16.60.05	5	40	7.7	32.5	35	16	50	16	8.4	5.6	33	13900	40900R
M409.0050.A22.60.07	7	50	7.7	37.5	40	19.5	63	22	10.4	6.3	41	12500	40900R
M409.0063.A22.60.08	8	63	7.7	37.5	40	19.5	73	22	10.4	6.3	49	11100	40900R
M409.0063.A27.60.08	8	63	7.7	37.5	40	19.5	75	27	12.4	7	49	11100	40900R
M409.0100.A32.60.12	12	100	7.7	47.5	50	22	112	32	14.4	8	59	8800	40900R
M409.0160.A40.60.20	20	160	7.7	60.5	63	90	172	40	16.4	9	110	6900	40900R
M409.0200.A60.60.24	24	200	7.7	60.5	63	135	212	60	25.7	14	130	6200	40900R
M409.0250.A60.60.30	30	250	7.7	60.5	63	150	262	60	25.7	14	160	5500	40900R

芯轴接口: $\phi 100$ mm 以下根据 DIN 8030-A, $\phi 125$ mm 根据 DIN8030-B, $\phi 160$ mm 根据 DIN8030-C
up to $\phi 100$ mm arbour mounted cutter as per DIN 8030-A, $\phi 125$ DIN8030-B, from $\phi 160$ mm DIN 8030-C

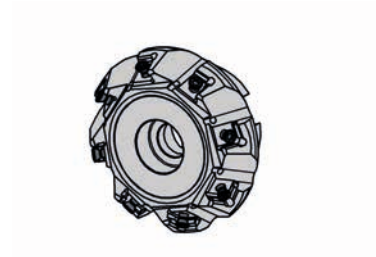
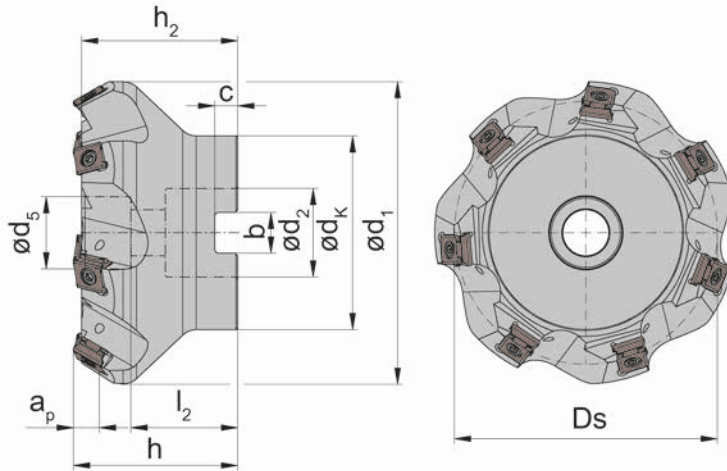
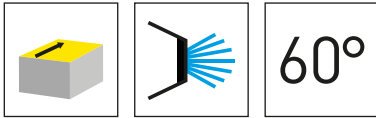
使用圆角 $r_x = 0.8$ mm 刀片可达到 $a_p = 7.7$ mm
 $a_p = 7.7$ mm can be reached with $r_x = 0.8$ mm

大于 $\phi 160$ mm, 可用性 & 内冷根据客户要求
from $\phi 160$ mm: availability and internal coolant upon customers request

配件

Spare Parts

面铣 Face Mill	锁紧螺钉 Clamping Screw	TORX PLUS®扳手 TORX PLUS® Wrench	锁紧栓 Tightening Bolt
M409...	030.3511.T10P	T10PL	
M409.0160.A40.60.20	030.3511.T10P	T10PL	20.30.6367
M409.02...	030.3511.T10P	T10PL	30.45.6367



图示=右手型
Picture = right hand cutting version

产品型号 Part number	Z	Ds	ap	h ₂	h	d ₅	d ₁	d ₂	b	C	d _k	n _{max}	HWS
M409.0040.A16.60.04	4	40	7.7	32.5	35	17	52	16	8.4	5.6	33	13900	40900R
M409.0050.A22.60.05	5	50	7.7	37.5	40	20	62	22	10.4	6.3	41	12500	40900R
M409.0100.A32.60.08	8	100	7.7	47.5	50	30	112	32	14.4	8	80	8800	40900R
M409.0125.A40.60.10	10	125	7.7	60.5	63	56	137	40	16.4	9	89	7900	40900R
M409.0160.A40.60.14	14	160	7.7	60.5	63	90	172	40	16.4	9	110	6900	40900R
M409.0200.A60.60.16	16	200	7.7	60.5	63	135	212	60	25.7	14	130	6200	40900R
M409.0250.A60.60.20	20	250	7.7	60.5	63	150	262	60	25.7	14	160	5500	40900R

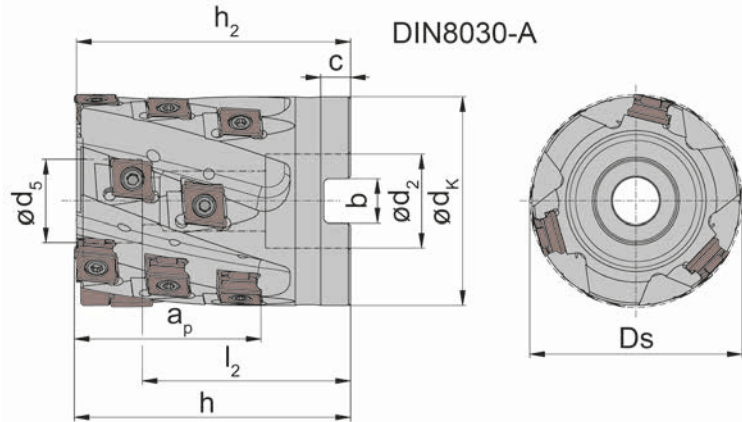
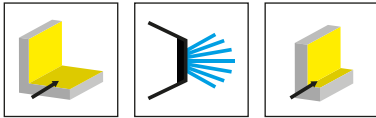
芯轴接口: $\varnothing 100$ mm 以下根据 DIN 8030-A, $\varnothing 125$ mm 根据 DIN8030-B, $\varnothing 160$ mm 根据 DIN8030-C
up to $\varnothing 100$ mm arbour mounted cutter as per DIN 8030-A, $\varnothing 125$ DIN8030-B, from $\varnothing 160$ mm DIN 8030-C

使用圆角 $r_x = 0.8$ mm 刀片可达到 $a_p = 7.7$ mm
 $a_p = 7.7$ mm can be reached with $r_x = 0.8$ mm

大于 $\varnothing 160$ mm, 可用性 & 内冷根据客户要求
from $\varnothing 160$ mm: availability and internal coolant upon customers request

配件
Spare Parts

面铣 Face Mill	锁紧螺钉 Clamping Screw	TORX PLUS®扳手 TORX PLUS® Wrench	锁紧栓 Tightening Bolt
M409...	030.3511.T10P	T10PL	
M409.0125.../...160...	030.3511.T10P	T10PL	20.30.6367
M409.02...	030.3511.T10P	T10PL	30.45.6367



图示=右手型

Picture = right hand cutting version

产品型号 Part number	Z	Z _{eff}	Ds	a _p	h ₂	h	d ₅	d ₂	l ₂	b	C	d _k	n _{max}	HWS
M409.0040.A16.W.10	10	2	40	43.2	64.5	65	16	16	53.4	8.4	5.6	39	13900	40900R
M409.0050.A22.W.15	15	3	50	43.2	64.5	65	19.5	22	49	10.4	6.3	49	12500	40900R
M409.0063.A27.W.20	20	4	63	43.2	64.5	65	21.5	27	48.8	12.4	7	62	11100	40900R

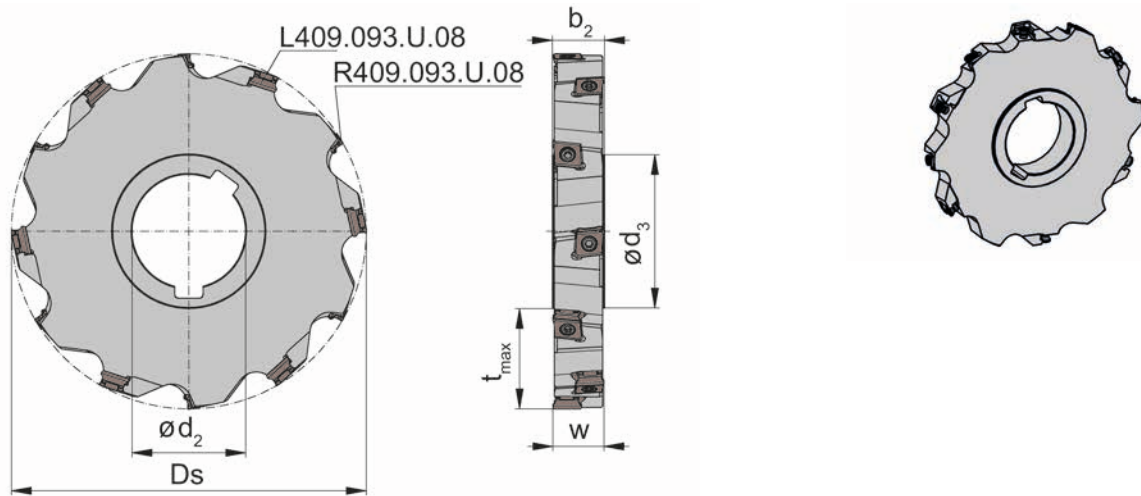
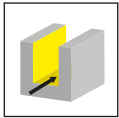
配件

Spare Parts

玉米铣 Shell End Mill	锁紧螺钉 Clamping Screw	TORX PLUS®扳手 TORX PLUS® Wrench
M409...	030.3511.T10P	T10PL

盘铣刀 Disc Milling Cutter

M409

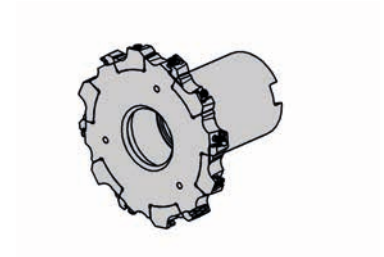
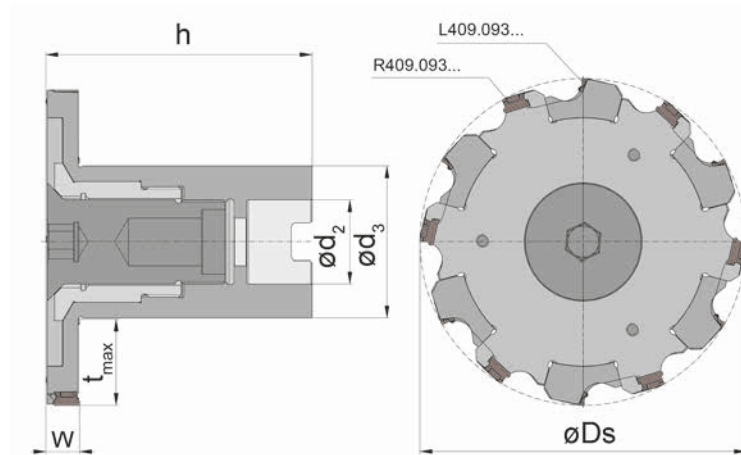
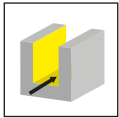


图示=右手型
Picture = right hand cutting version

产品型号 Part number	Z	Z _{eff}	Ds	t _{max}	d ₂	b ₂	w	n _{max}	右手型刀片 right hand insert	左手型刀片 left hand insert	HWS
M409.0100.32.S.14	10	5	100	26	32	14.4	14	8800	5x R409.093.U.08	5x L409.093.U.08	40900R • 40900L
M409.0100.32.S.18	10	5	100	26	32	18.4	18	8800	5x R409.093.U.08	5x L409.093.U.08	40900R • 40900L
M409.0125.40.S.14	12	6	125	34.5	40	14.4	14	7900	6x R409.093...	6x L409.093...	40900R • 40900L
M409.0125.40.S.18	12	6	125	34.5	40	18.4	18	7900	6x R409.093...	6x L409.093...	40900R • 40900L

配件 Spare Parts

盘铣刀 Disc Milling Cutter	锁紧螺钉 Clamping Screw	TORX PLUS®扳手 TORX PLUS® Wrench
M409...	030.3511.T10P	T10PL



产品型号 Part number	Z	Z _{eff}	Ds	t _{max}	h _{min}	h _{max}	d ₃	d ₂	w _{min}	w _{max}	右手型刀片 right hand insert	左手型刀片 left hand insert	HWS
M409.0125.A32.ES.129	12	6	125	32.5	102	107.9	58	32	12.9	18.8	6x R409.093...	6x L409.093...	40900R • 40900L

芯轴刀柄式铣刀是可调的！
Arbour mounted cutter is adjustable!

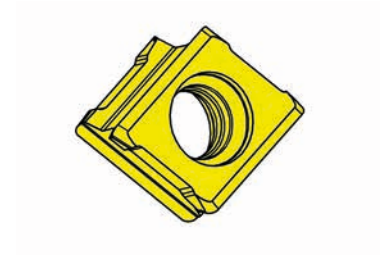
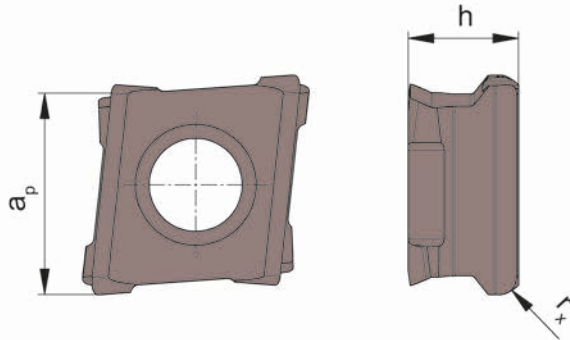
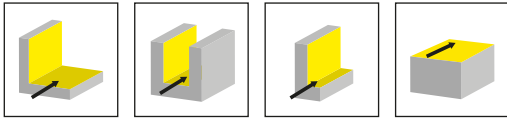
配件
Spare Parts

芯轴刀柄式铣刀 Arbour Mounted Cutter	螺钉 Screw	锁紧螺钉 Clamping Screw	TORX PLUS®扳手 TORX PLUS® Wrench	调整适配器 Adjustment Adapter
M409.0125.A32.ES.129	C409.0125.A32.ES.129	030.3511.T10P	T10PL	A409.0125.A32.ES.129

可转位刀片

Indexable insert

409



硬质合金牌号
Carbide grades

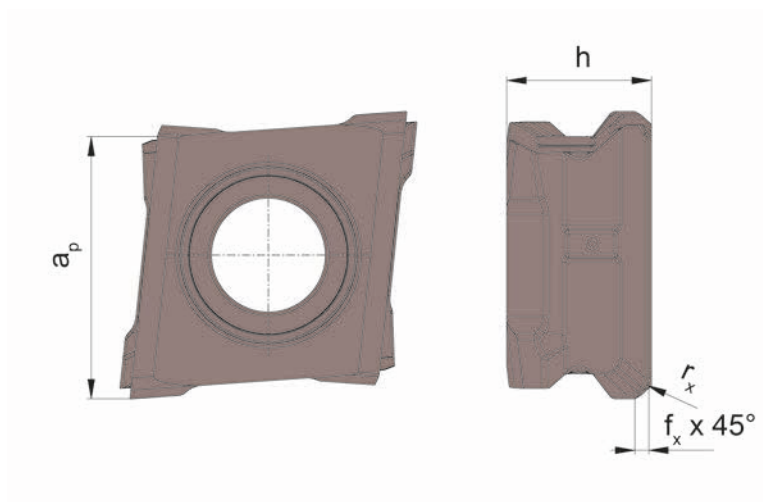
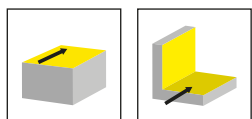
▲ 库存
on stock

△ 4周
4 weeks

产品型号 Part number	a_p	h	r_x	HIS		K10	AS46	AS4B	IG35	NE2B
R409.093.U.02	9.3	5.2	0.2	40900R			△	▲		
R409.093.U.04	9.3	5.2	0.4	40900R			▲	▲		
R409.093.U.08	9.3	5.2	0.8	40900R			▲	▲		
R409.093.U.12	9.3	5.2	1.2	40900R			▲	▲		
R409.093.W.02	9.3	5.2	0.2	40900R		▲			▲	▲
R409.093.W.04	9.3	5.2	0.4	40900R					▲	▲
R409.093.W.08	9.3	5.2	0.8	40900R					▲	▲
R409.093.W.12	9.3	5.2	1.2	40900R					▲	▲
L409.093.U.02	9.3	5.2	0.2	40900L			△	▲		
L409.093.U.04	9.3	5.2	0.4	40900L			▲	▲		
L409.093.U.08	9.3	5.2	0.8	40900L			▲	▲		
L409.093.U.12	9.3	5.2	1.2	40900L				▲		
L409.093.W.02	9.3	5.2	0.2	40900L		▲			▲	▲
L409.093.W.04	9.3	5.2	0.4	40900L					▲	▲
L409.093.W.08	9.3	5.2	0.8	40900L					▲	▲
L409.093.W.12	9.3	5.2	1.2	40900L					▲	△

4个切削刃刀片
with 4 usable cutting edges

P	●	○	●	-	-
M	○	○	●	●	-
K	●	●	●	-	-
N	●	○	○	-	●
S	○	○	●	●	-
H	-	-	-	-	-



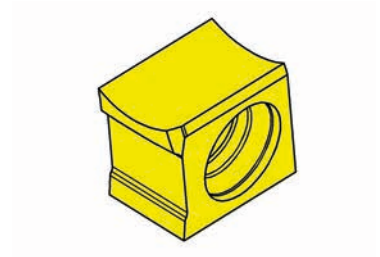
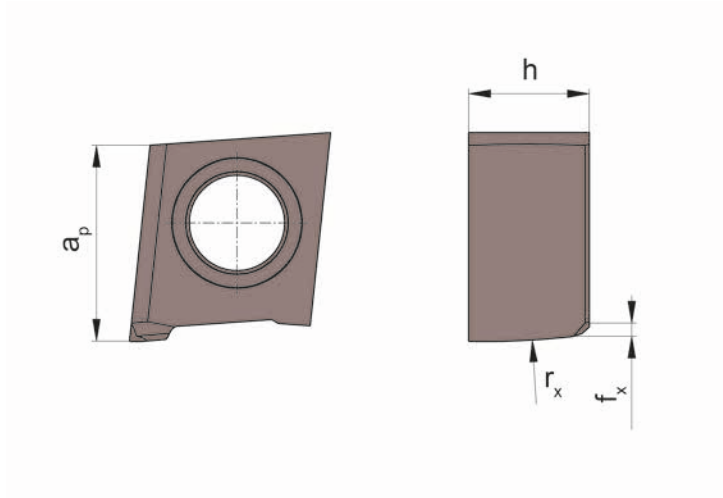
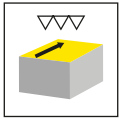
硬质合金牌号
Carbide grades

▲ 库存
on stock

△ 4周
4 weeks

产品型号 Part number	a_p	h	r_x	f_x	HIS	AS45	AS46
RS409.090.P.F05	9	5.2	0.6	0.5	40900R	▲	▲
LS409.090.P.F05	9	5.2	0.6	0.5	40900L	▲	▲
						P ● ○	○
						M ● ○	○
						K ● ●	○
						N ○ ○	○
						S ● ○	○
						H - -	-

4个切削刃刀片
with 4 usable cutting edges



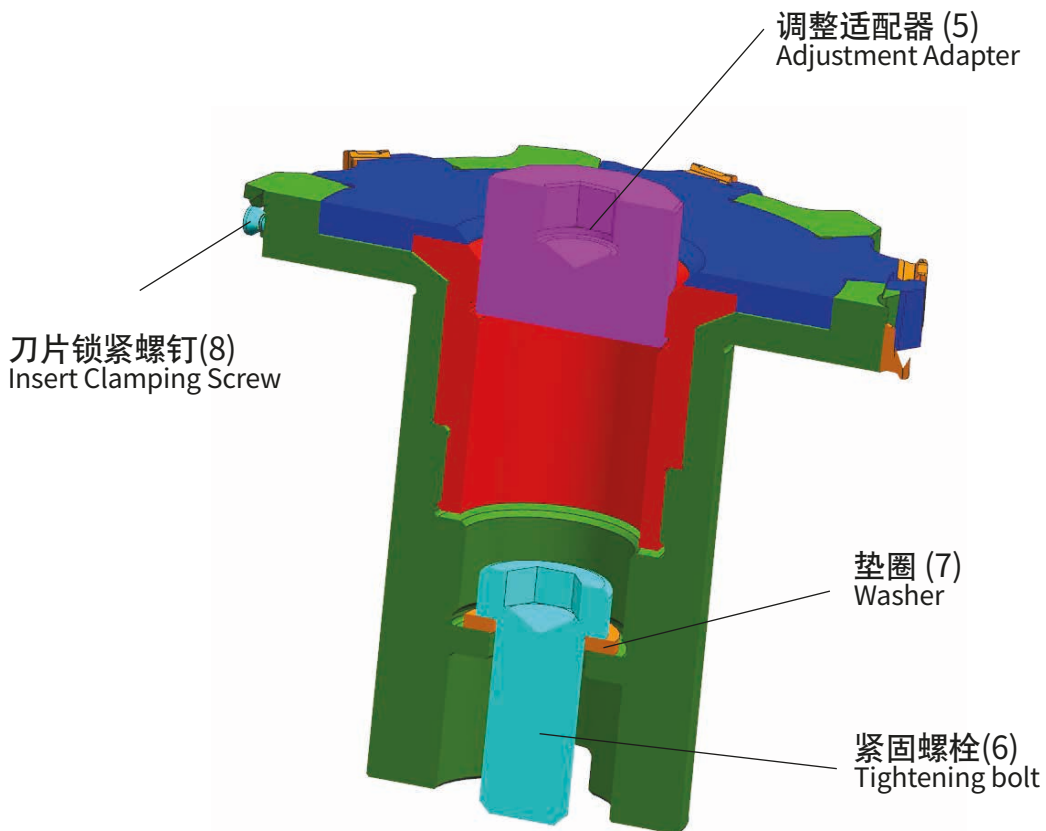
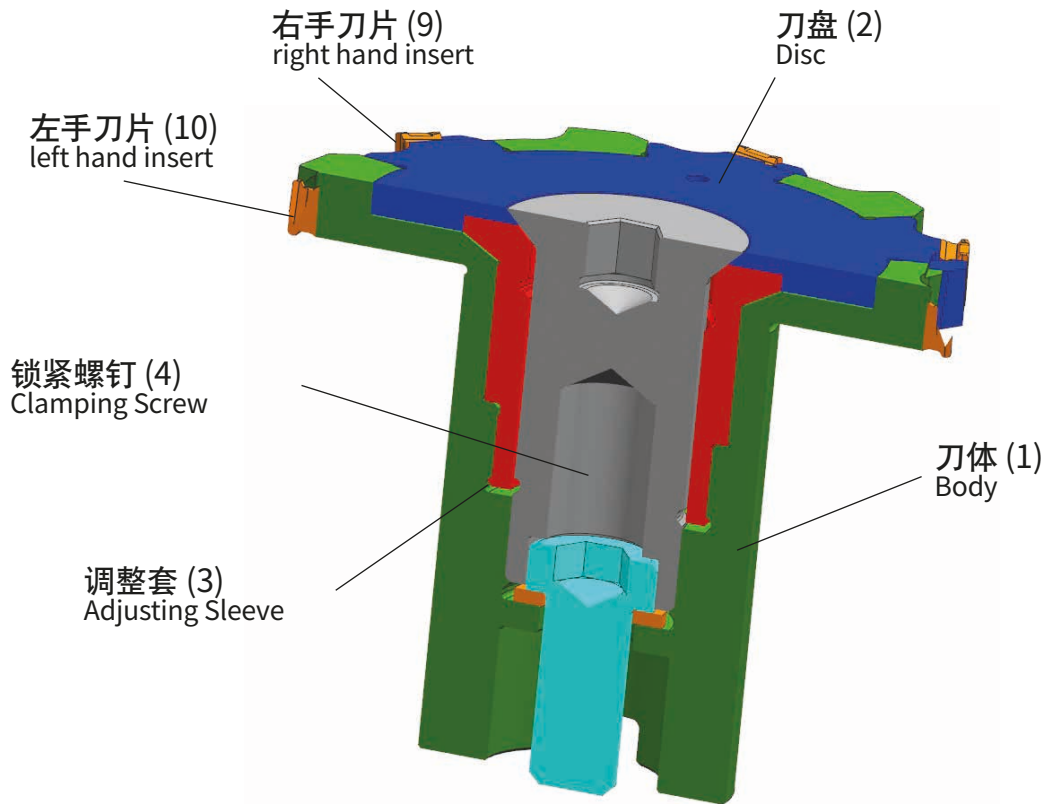
硬质合金牌号
Carbide grades

▲ 库存
on stock

△ 4周
4 weeks

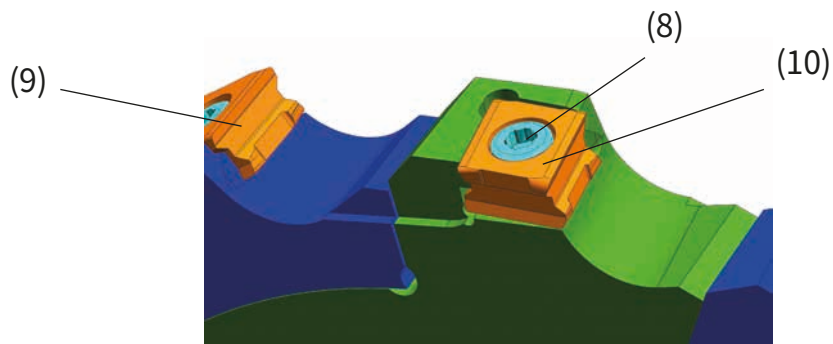
产品型号 Part number	a_p	h	r_x	f_x	HIS	AS46	AS4B
R409.093.S.F4	9.3	5.2	100	0.4	40900R	▲	▲
						P ○ ●	●
						M ○ ●	●
						K ● ●	●
						N ○ ○	○
						S ○ ●	●
						H - -	-

修光刃几何角度，精密磨削
Wiper geometry, precision ground



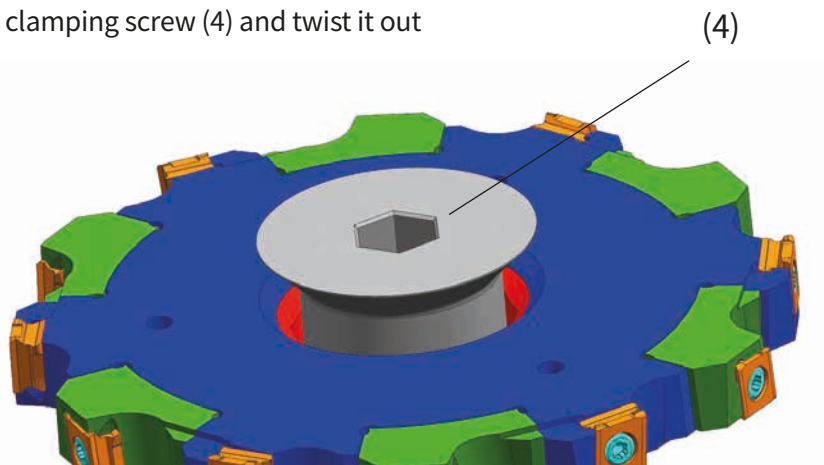
1. 使用锁紧螺钉(8)安装可转位刀片:[右手刀片(9)和左手刀片(10)版本]

Mount the indexable insert using clamping screw(8);
[right-hand insert (9) and left-hand insert (10) version]



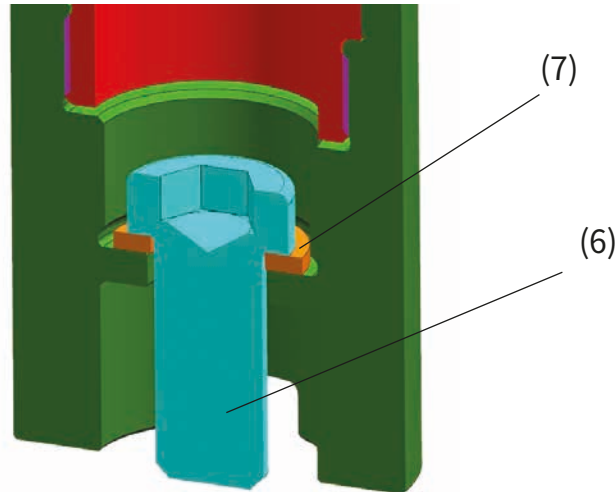
2. 松开安装螺钉 (4) 旋转取出

Loosen the clamping screw (4) and twist it out



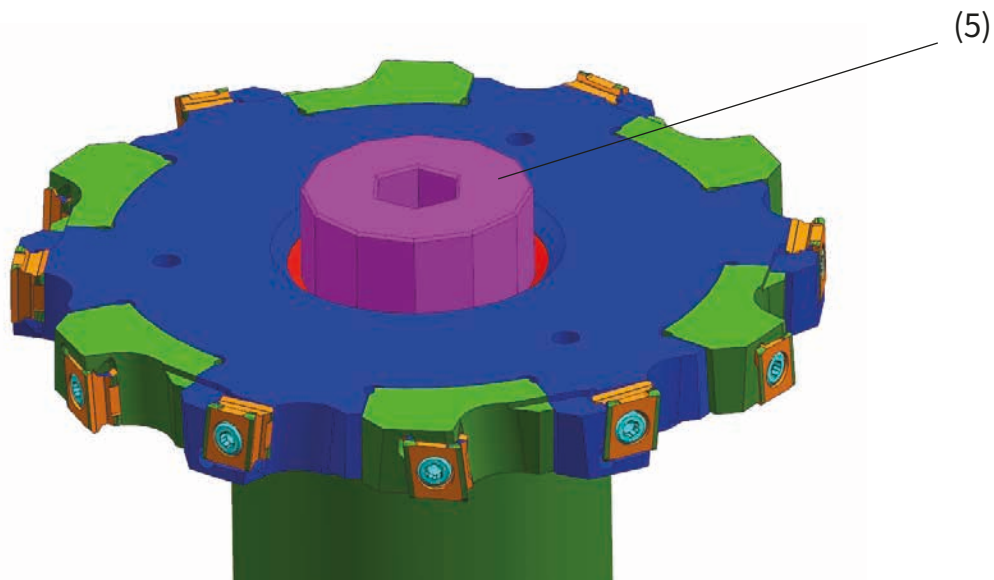
3. 将铣刀与封闭的垫圈(7)和刀具紧固螺栓(6)安装在刀柄上(未示出)。

Mount the milling tool with the enclosed washer (7) and cutter tightening bolt (6) on the toolholder (not shown)



4. 借助调整适配器(5)将铣刀的切削宽度预先设定为所需尺寸。

Pre-set the cutting width of the milling cutter to the required dimension with the aid of the adjustment adapter (5)

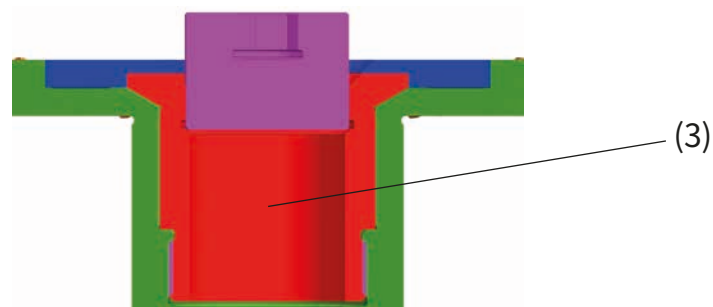


对刀具校正器的调整:

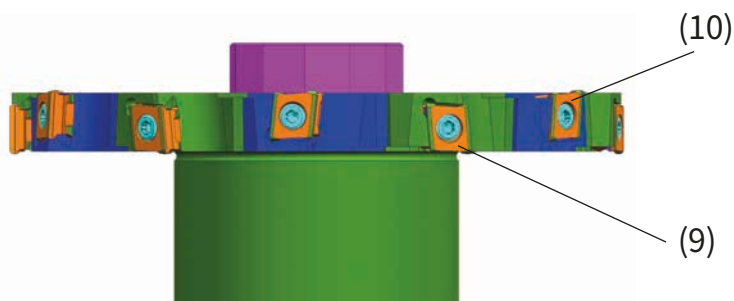
- a. 将安装好的刀具插入校正器的适配器。
- b. 保证刀具的最小直径 (409系列 → 12.9 mm; 406系列 → 9.6 mm)
注意: 调节套筒(3)完全拧紧

Adjustment on a tool presetter:

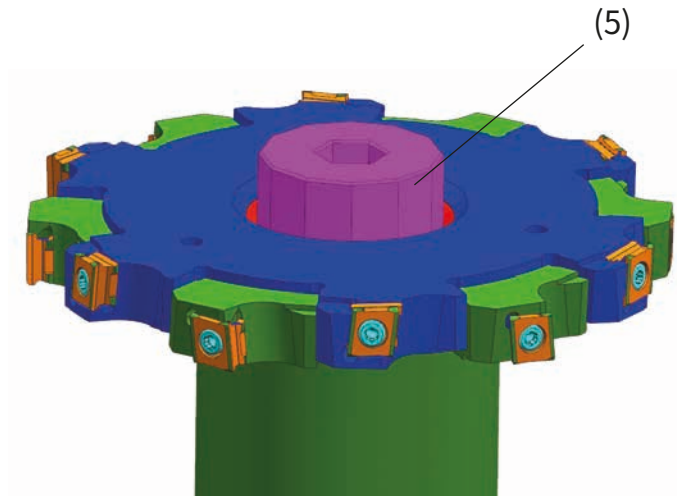
- a. Insert the mounted tool into the adapter of the presetter.
- b. Ensure the minimum dimension (system 409 → 12.9 mm; System 406 → 9.6 mm) of the tool.
Note: Adjusting sleeve (3) is tightened fully



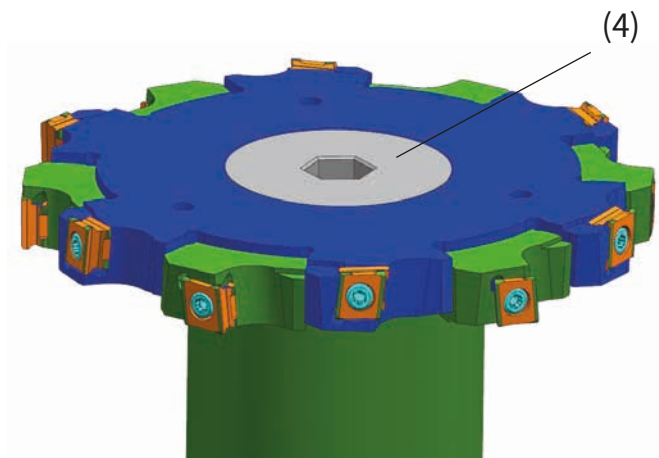
- c. 测量靠下一边的切削刃 [左手刀片 (9)]
- d. 测量靠上一边的切削刃 [右手刀片 (10)]
- c. Measure the lower cutting edge row [left hand inserts (9)]
- d. Measure the upper cutting edge row [right hand inserts (10)]



- e. 通过调节适配器(5)调节切削宽度(每转轴向调节对应1.5 mm)
- e. Adjust the cutting width by means of the adjustment adapter (5) (axial adjustment for each turn corresponds to 1.5 mm)



- f. 旋入并拧紧夹紧螺钉(4)
- f. Screw in and tighten the clamping screw (4)



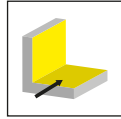
注意:

- 1) 第一道槽加工完毕后，必须进行测量或检查。必要时，必须对铣刀的切削宽度进行校正。
- 2) 在装配和拆卸过程中，各个部件必须保持清洁
- 3) 我们建议对调节机构的接触面和螺纹面进行润滑。
- 4) 观察最大的切削宽度:
409系列 → 18.8 mm; 406 系列 → 12.9 mm

Note:

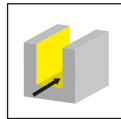
- 1) After the first groove has been machined, it must be measured or checked. If necessary, the cutting width of the milling tool must be corrected.
- 2) The individual parts must be kept clean during assembly and disassembly
- 3) We recommend lubricating or greasing the contact and thread surfaces of the adjustment mechanism.
- 4) Observe the maximum cutting width:
System 409 → 18.8 mm; System 406 → 12.9 mm

方肩铣
Shoulder Mill
M610



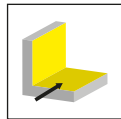
页/Page
560

芯轴刀柄式铣刀
Arbour Mounted Cutter
M610



页/Page
561

可转位刀片
Indexable insert
610



页/Page
562

M610

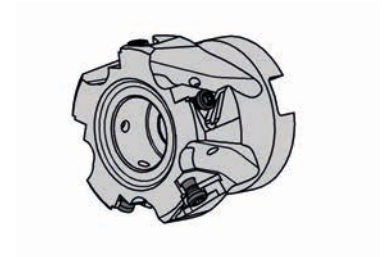
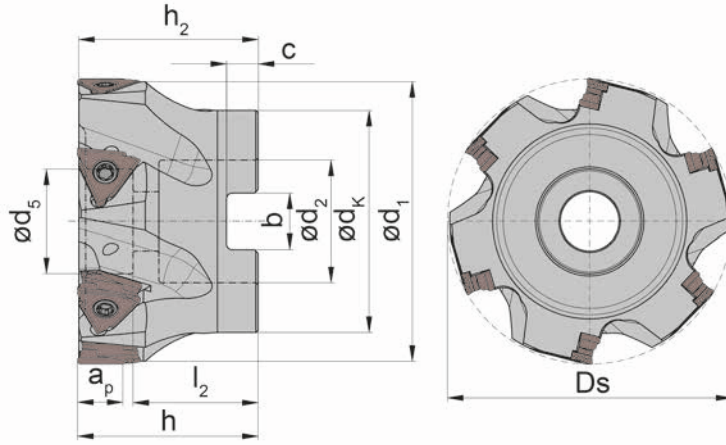
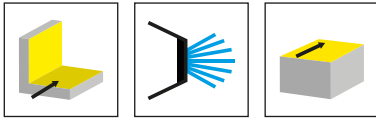


立装铣削系列 610

切削刃 \varnothing 100-125 mm

Tangential milling
with system 610

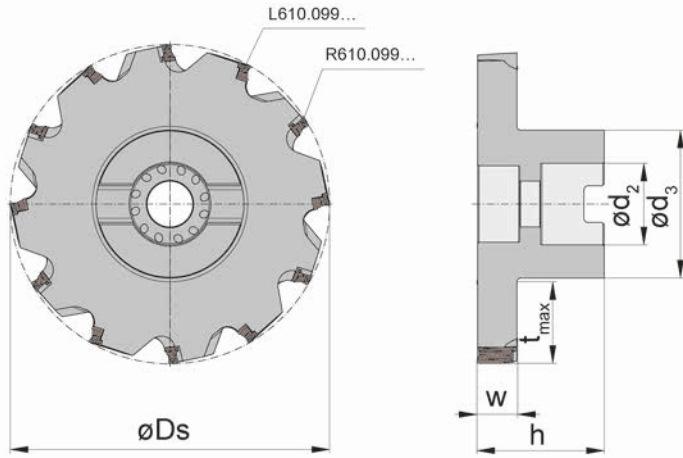
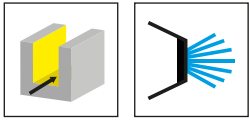
cutting edge \varnothing 100-125 mm



产品型号 Part number	Z	Ds	ap	h ₂	h	d ₅	d ₁	d ₂	l ₂	b	C	d _k	n _{max}	HWS
M610.0050.A22.05	5	50	9.9	39.7	40	19.5	49	22	24	10.4	6.3	41	10000	61000R
M610.0063.A22.06	6	63	9.9	39.7	40	19.5	62	22	25	10.4	6.3	49	9000	61000R
M610.0063.A27.06	6	63	9.9	39.7	40	23	62	27	27.5	12.4	7	49	9000	61000R
M610.0080.A27.08	8	80	9.9	49.7	50	21.5	79	27	28	12.4	7	59	8000	61000R
M610.0100.A32.10	10	100	9.9	49.7	50	30	99	32	33	14.4	8	80	7000	61000R
M610.0125.A40.12	12	125	9.9	62.7	63	56	124	40	35	16.4	9	89	6000	61000R

配件
Spare Parts

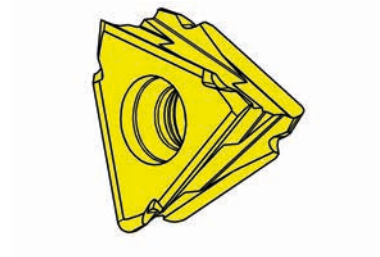
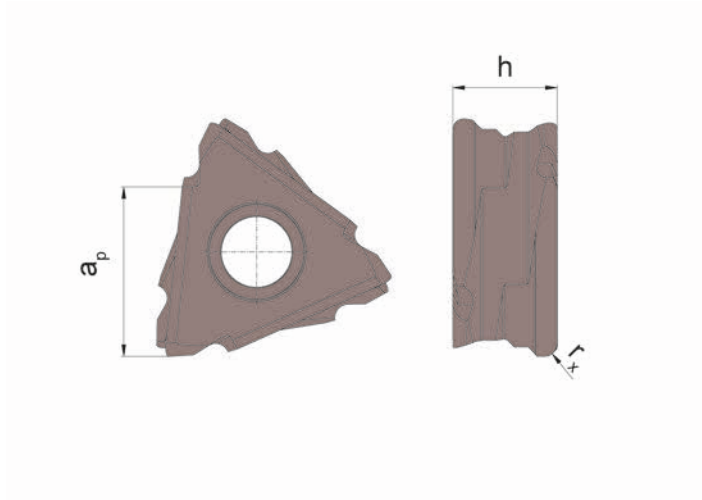
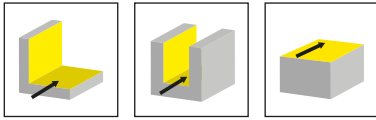
方肩铣 Shoulder Mill	锁紧螺钉 Clamping Screw	TORX PLUS®扳手 TORX PLUS® Wrench	锁紧栓 Tightening Bolt
M610...	030.3513.T15P	T15PQ	
M610.0125.A40.12	030.3513.T15P	T15PQ	20.30.6367



产品型号 Part number	Z	Z _{eff}	Ds	t _{max}	h	d ₃	d ₂	n _{max}	w	右手型刀片 right hand insert	左手型刀片 left hand insert	HWS
M610.0125.A32.S.16	12	6	125	32.5	50	58	32	6000	16	6x R610.099.U....	6x L610.099.U....	61000L

配件
Spare Parts

芯轴刀柄式铣刀 Arbour Mounted Cutter	锁紧螺钉 Clamping Screw	TORX PLUS®扳手 TORX PLUS® Wrench
M610.0125.A32.S.16	030.3513.T15P	T15PQ



硬质合金牌号
Carbide grades

▲ 库存
on stock

△ 4周
4 weeks

产品型号 Part number	a_p	h	r_x	HIS	AS46	AS4B	IG35	NE2B
R610.099.U.04	9.9	6.2	0.4	61000R	▲	▲		
R610.099.W.04	9.9	6.2	0.4	61000R			▲	△
R610.099.W.08	9.9	6.2	0.8	61000R			▲	△
L610.099.U.04	9.9	6.2	0.4	61000L	△	▲		
L610.099.W.04	9.9	6.2	0.4	61000L			△	△
L610.099.W.08	9.9	6.2	0.8	61000L			△	△
P	○	●	-	-				
M	○	●	●	-				
K	●	●	-	-				
N	○	○	-	●				
S	○	●	●	-				
H	-	-	-	-				

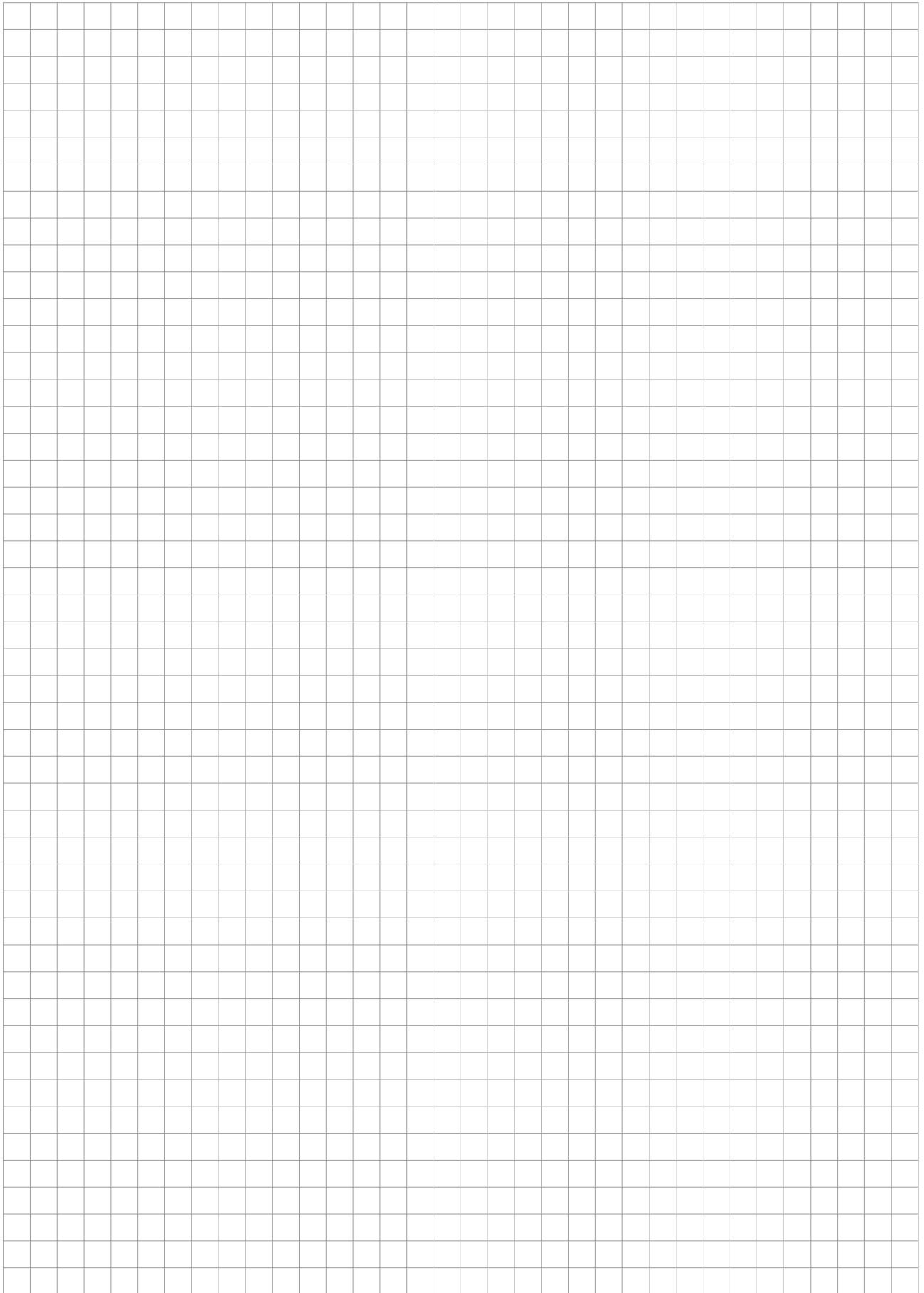
切屑中间厚度 h_m 计算进给量

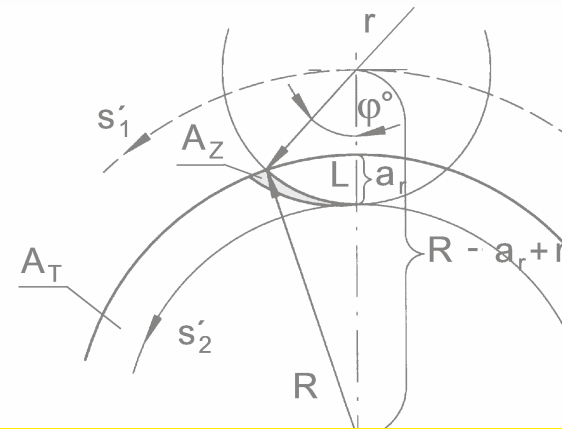
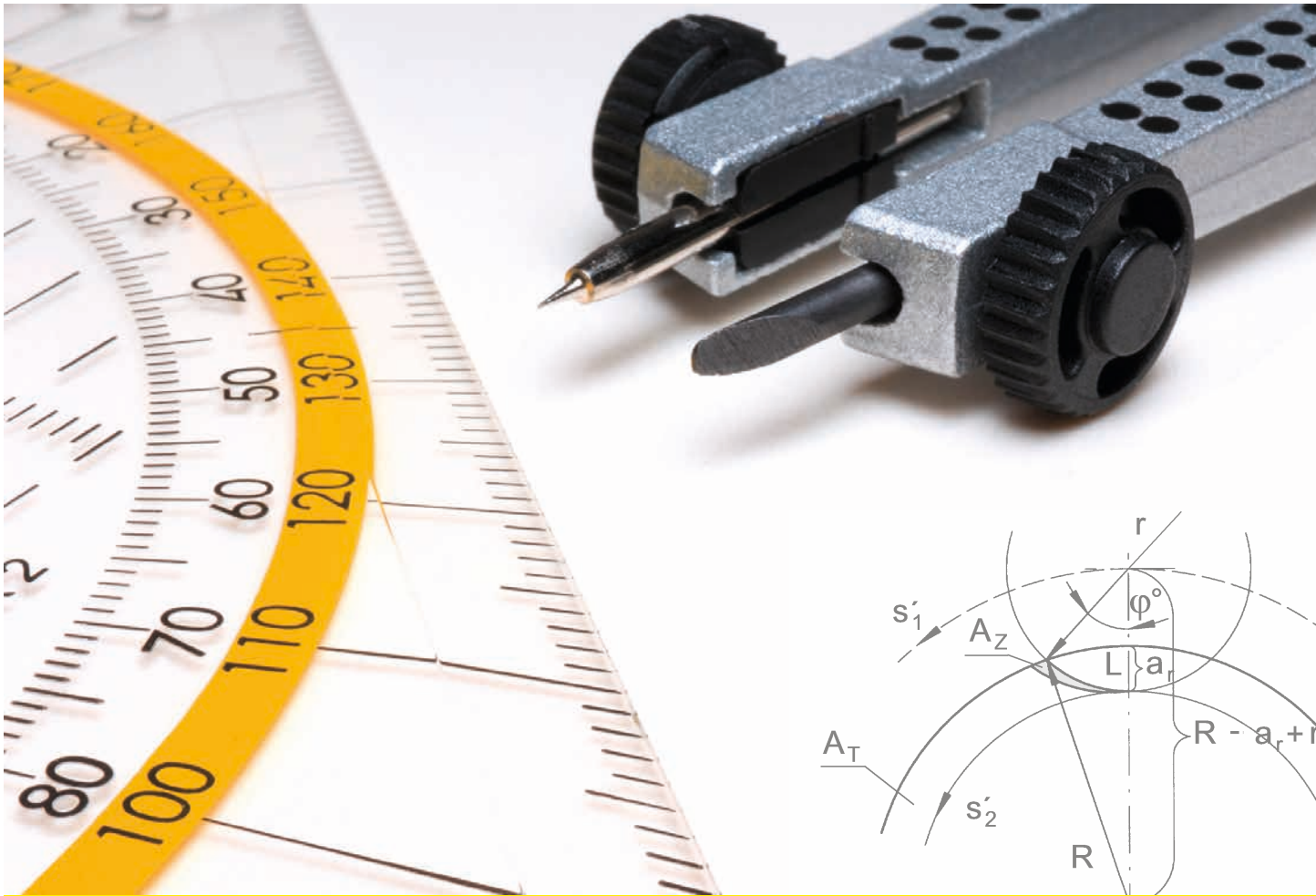
Medium chip thickness h_m for calculating the feed rate

ISO	406 / 409	610
	h_m (mm)	h_m (mm)
P	0.08 - 0.14	0.08 - 0.10
M	0.07 - 0.09	0.04 - 0.06
K	0.12 - 0.16	0.09 - 0.11
N	0.1 - 0.12	0.06 - 0.08
S	0.06 - 0.09	0.04 - 0.06

$$f_z = (h_m \times \pi \times d_e \times \phi_s) / (360^\circ \times a_e) \text{ [简化 } f_z = h_m \times \sqrt{(d_e/a_e)} \text{ 以及 } a_e/d_e < 0,3]$$

$$f_z = (h_m \times \pi \times d_e \times \phi_s) / (360^\circ \times a_e) \text{ [simplified } f_z = h_m \times \sqrt{(d_e/a_e)} \text{ with } a_e/d_e < 0,3]$$





概要/Summary	页/Page
螺钉扭矩 Torque Specification	566 - 568
技术信息 Technical Instructions	569 - 570
符号 Symbols	571
切削参数 Cutting Data	572 - 577
涂层概览 Coating Overview	578 - 579
附加设备 Additional Equipment	580 - 585

对于刀片的螺钉允许使用以下的扭矩，我们建议对螺钉不要额外使用润滑剂（如铜膏等）。

Following torques are allowed for screws of inserts. We do not recommend using any additional lubricants such as copper paste or similar for the screws.

型号 Type	螺钉 Screw	M_d Nm	夹紧扳手 Clamping wrench	刀板 Blade
380	5.12T20P	6.50	T20PQ	DT20PK / DT20PQ
381	5.12T20P	6.50	T20PQ	DT20PK / DT20PQ
382...06	5F.06T15P	5.50	T15PQ	DT15PK
382...08	5F.08T20P	5.50	T20PQ	DT20PK
382...10/12/14	5.10T20P	6.50	T20PQ	DT20PK / DT20PQ
383...06	5F.06T15P	5.50	T15PQ	DT15PK
383...08	5F.08T20P	5.50	T20PQ	DT20PK
383...10/12	5.10T20P	6.50	T20PQ	DT20PK / DT20PQ
ABS	5.12T20P	6.50	T20PQ	DT20PK / DT20PQ
ADR.01...	C009000	0.75	T6W	DT6K
ADR.02/03...	C009001	1.50	T8L	DT8K
ADR.04/05/06...	C009002	1.50	T8L	DT8K
B105/BKT105	6.075T15P	5.00	T15PQ	DT15PK
B110/BKT110	6.075T15P	5.00	T15PQ	DT15PK
BKT356	5.12T20P	6.50	T20PQ	DT20PK / DT20PQ
DAH	5.12T20P	6.50	T20PQ	DT20PK / DT20PQ
DAH.M.25.012...	030.2547.T8P	1.30	T8PL	DT8PK
DAH.M.25	030.2553.T8P	1.30	T8PL	DT8PK
DAH.M.37	030.3070.T10P	3.40	T10PL	DT10PK
DAH.M.62	5.12T20P	6.50	T20PQ	DT20PK / DT20PQ
DAM31...02B	030.2541.T8P	1.10	T8PL	DT8PK
DAM31...03A/B	030.2547.T8P	1.10	T8PL	DT8PK
DAM31...04A/B	030.2553.T8P	1.10	T8PL	DT8PK
DAM31...05A/B	030.2557.T8P	1.10	T8PL	DT8PK
DAM32...A...	030.3576.T10P	3.50	T10PL	DT10PK
DAM32...02A/B	030.3562.T10P	3.50	T10PL	DT10PK
DAM32.025.D...03A/B	030.3569.T10P	3.50	T10PL	DT10PK
DAM32.032.D...03A/B	030.3576.T10P	3.50	T10PL	DT10PK
DAM32.417...03B	030.3569.T10P	3.50	T10PL	DT10PK
DAM62	030.3070.T10P	3.00	T10PL	DT10PK
DRHD	6.075T15P	5.00	T15PQ	DT15PK
HSK	5.12T20P	6.50	T20PQ	DT20PK / DT20PQ
L381.A060...	5F.08T20P	5.50	T20PQ	DT20PK

螺钉扭矩

Torque of Screws



N

型号 Type	螺钉 Screw	M _d Nm	夹紧扳手 Clamping wrench	刀板 Blade
L381.D080...	5F.08T20P	5.50	T20PQ	DT20PK
L381.D086...	5.12T20P	6.50	T20PQ	DT20PK / DT20PQ
L381.G070...	5.10T20P	6.50	T20PQ	DT20PK / DT20PQ
L381.G080...	5F.08T20P	5.50	T20PQ	DT20PK
L381.G086/090/098	5.12T20P	6.50	T20PQ	DT20PK / DT20PQ
L381.N090...	5F.08T20P	5.50	T20PQ	DT20PK
L381.S...	5.15T20P	6.50	T20PQ	DT20PK / DT20PQ
L381.T...	5F.08T20P	5.50	T20PQ	DT20PK
L381.X090...	5.12T20P	6.50	T20PQ	DT20PK / DT20PQ
M101	030.3543.T8P	2.00	T8PL	DT8PK
M101...A22...30/...40	030.0520.0912	6.50	T15PQ	DT15PK
M101...A32...30/...40	030.0620.0913	8.00	T20PQ	DT20PK / DT20PQ
M101...A40...30/...40	030.1030.0911	15.00	SW6.0 DIN911	
M116	5.13T20EP	6.50	T20PQ	DT20PK / DT20PQ
M117K...05	030.265P.0821	1.20	T8PL	DT8PK
M117K...07	030.265P.0819	1.20	T8PL	DT8PK
M117K...09	030.400P.0227	4.30	T15PQ	DT15PK
M117.MD10...	030.400P.0227	4.30	T15PQ	DT15PK
M117U...05	030.265P.0818	1.20	T8PL	DT8PK
M117U...07	2.6.5T8EP	1.20	T8PL	DT8PK
M117P...05	030.265P.0818	1.20	T8PL	DT8PK
M117P...07	2.6.5T8EP	1.20	T8PL	DT8PK
M271	030.2609.T8P	1.20	T8PL	DT8PK
M274	030.3513.T15P	3.00	T15PQ	DT15PK
M275	3.5.10T10P	3.00	T10PL	DT10PK
M275.D	030.357P.0315	3.00	T10PL	DT10PK
M275.T	3.5.10T10P	3.00	T10PL	DT10PK
M279	030.0516.T20P	6.50	T20PQ	DT20PK / DT20PQ
M304	1.8.4T6EP	0.90	T6PL	DT6K
M306	2.6.5T8EP	1.20	T8PL	DT8PK
M308	3.5.12T10EP	3.00	T10PL	DT10PK
M310...03	030.0324.T7P	1.20	T7PL	DT7PK
M310...04	030.3535.T8P	2.00	T8PL	DT8PK
M310...05	030.3543.T8P	2.00	T8PL	DT8PK
M311	4.14T15P	5.00	T15PQ	DT15PK
M311.0016.00.B/E	4.16T15KP	5.00	T15PQ	DT15PK
M313	5.14T20P	6.50	T20PQ	DT20PK / DT20PQ
M313.0016.00.A/B/E	5.13T20KP	6.50	T20PQ	DT20PK / DT20PQ

型号 Type	螺钉 Screw	M_d Nm	夹紧扳手 Clamping wrench	刀板 Blade
M328	5.14T20P	6.50	T20PQ	DT20PK / DT20PQ
M328.0020.00.A/B/E	5.13T20KP	6.50	T20PQ	DT20PK / DT20PQ
M328.0020.D...	5.17T20P	6.50	T20PQ	DT20PK / DT20PQ
M332	5.17T20P	6.50	T20PQ	DT20PK / DT20PQ
M335	6.17T25P	12.00	T25PQ	DT20PQ
M406...02/03	030.2669.T8P	1.20	T8PL	DT8PK
M406...04/05/06	030.2608.T8P	1.20	T8PL	DT8PK
M406.025.11.D16.1.02.B	030.2608.T8P	1.20	T8PL	DT8PK
M409	030.3511.T10P	3.50	T10PL	DT10PK
M610	030.3513.T15P	3.50	T15Q	DT15K
M620	5.14T20P	6.50	T20PQ	DT20PK / DT20PQ
MDR.01...	C009000	0.75	T6W	DT6K
MDR.02/03...	C009001	1.50	T8L	DT8K
MDR.04/05/06...	C009002	1.50	T8L	DT8K
MDR.08/09/10...	C009004	3.50	T15Q	DT15K
R381.T...	5F.08T20P	6.50	T20PQ	DT20PK / DT20PQ
R381.X073...	5F.08T20P	6.50	T20PQ	DT20PK / DT20PQ
R381.X090...	5.12T20P	6.50	T20PQ	DT20PK / DT20PQ
SM328	5.17T20P	6.50	T20PQ	DT20PK / DT20PQ

进给率和时间的计算

Feed rates and time calculation

使用HORN的HTC程序可以简单而方便的计算出所需要的速度和进给。推荐您使用该程序计算切削参数,可以得到最好的切削性能和结果。可以在下页查看其基本功能。

It is simple and easy to calculate your speed and feeds using HORN'S HCT programme. We recommend that you calculate the cutting data with this programme as, it will provide you with the best cutting performance and results. Basic features of the calculations can be found on the following pages.

常规推荐:

Basic recommendations:

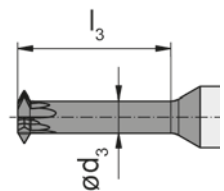
铣刀悬伸

Overhang of the milling cutter

尽可能选择最短的夹持装置或铣刀柄,以控制刀具的跳动公差。

大宽度和大悬伸的加工需要特殊的加工方法,例如将槽宽分多次加工出来,以降低切削力,达到最好的加工效果。

Select the shortest possible clamping device and milling shank, to control the runout tolerance of the tools. Large cutting widths in combination with long overhangs require specific manufacturing methods such as dividing the cutting width to achieve the best possible cutting result due to reduced cutting forces.



铣刀直径

Diameter of the milling cutter

当使用大直径刀具时,刀的直径越接近于孔的直径,加工周期将由于较小的旋转中心和较高的进给率而缩短,通常情况下,刀具的直径由工件的参数和应用设置所决定。

When using a large diameter cutter, whose relationship is close to the bore diameter, manufacturing cycle time can be reduced, due to the smaller centre of rotation and higher feed rates could be realized. Many times the rotation of the milling cutter centre will be defined by the parameters of the workpiece and the whole application setup.

螺纹铣削

Thread milling

使用HORN的螺纹铣刀时螺纹轮廓在满切情况下形成。这时螺纹锥度最小,尤其工件材质为高合金钢时。底孔为盲孔时推荐自底部至顶部的加工方法。否则可能会因为盲孔底部的切屑损坏刀具。

螺纹加工方法推荐:

铣刀直接不能超过螺纹小径的70%,否则会重复切削使整个螺纹尺寸超差。

With HORN thread milling inserts, the thread profile is generated in one full cut to the profile depth of the thread. This produces threads with minimal taper, especially in high alloyed steels. In blind holes, it is recommended to mill from the bottom to the top. Otherwise, there is the risk of damaging the tool because of milling into chips at the bottom of the blind hole.

A general recommendation for thread milling:

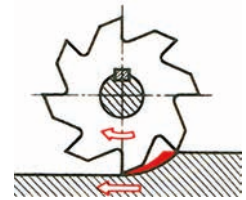
The milling cutter diameter should not exceed 70% of the minor diameter of the thread. Otherwise, recutting of the profile occurs, which could bring the whole thread out of tolerance.

铣削方向

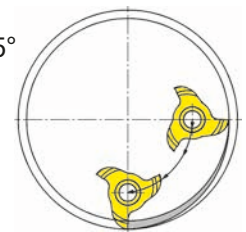
Milling direction

大多数HORN的铣刀是右手型,加工中推荐硬质合金刀具普遍采用的顺铣方式。

Most HORN milling tools are right-handed and it is recommended to use them with the climb milling process as this is generally recommended for carbide tools.



倾斜角度 > 45°
Ramp angle



铣入工件

Milling entry into the workpiece

铣削时一个简单的径向切入会产生一个很大的接触角,这将导致振刀,并在之后的切削中一直存在,直到槽底。推荐切入槽时以切入角45°到180°至槽底。计算得出的切削参数为满切时,但也适用于其他切削情况。

A simple radial entry of the milling cutter creates a very long contact angle which leads to vibrations which will not disappear for the rest of the milling operation and are visual on the bottom of the groove. It is recommended to enter the groove with a ramp angle of 45° up to 180° to the maximum depth of cut. The calculated cutting data refers to the milling condition when the insert is in the full cut, but can be also used for the entry loop.

ISO

a_r	a_e	径向切削深度 radial depth of cut	
d		切削刃Ø [mm] Cutting edge Ø [mm]	
f		每转进给量 Feed per revolutions	$f = f_z \cdot Z$ [mm/U] [mm/rev]
f_z	s_z	进给/齿 Feed/tooth	$f_z = \frac{v_f}{Z \cdot n}$ [mm]
h_m		切屑中间厚度 medium thickness of chip	
n		转速 Revolutions	$n = \frac{v_c \cdot 1000}{d \cdot \pi}$ [1/min]
r		刀具半径 Radius of cutter	
R		工件半径 Radius of workpiece	
v_c		切削速度 Cutting speed	$v_c = \frac{d \cdot \pi \cdot n}{1000}$ [m/min]
v_f	s'	进给率 Feed rate	$v_f = f_z \cdot Z \cdot n$ [mm/min]
v_{f2}	s'_2	刀尖进给 Feed rate of tool tip	
v_{f3}	s'_1	刀具中心的进给 Feed rate of tool centre	
Z		齿数 Number of teeth	

材料 Material		材料组 Material group	硬度 (HB) Hardness Brinell	抗拉强度 R _m [N/mm ²] Tensile Strength	材料示例 Example Material	K10	TA4_	
P	碳钢 Carbon steel	~ 0,2 % C	P1.1	125	430	CK15		180-140
		~ 0,4% C 退火 annealed	P1.2	190	610	19Mn6		180-140
		~ 0,4% C 调质 quenched	P1.3	210	640	36Mn5		180-140
		~ 0,6% C 退火 annealed	P1.4	190	610	C55		180-140
		~ 0,6% C 调质 quenched	P1.5	300	1000	CK60		180-140
		易切钢 Free cutting steel	P1.6	220	750	9SMn28		
	合金钢 (<5%) Alloyed steel	退火 annealed	P2.1	180	590	100Cr6		
		调质 quenched	P2.2	280	960	14NiCr10		
		调质 quenched	P2.3	350	1250	34CrMo4		
		调质 quenched	P2.4	430	1450	55Cr3		
	高合金钢 (>5%) high alloyed steel	退火 annealed	P3.1	200	680	X10CrAl18		
		硬化 hardened	P3.2	350	1200	X210Cr2		
	铸钢 Cast steel	非合金 unalloyed	P4.1	180	590	GE200		
		合金 alloyed	P4.2	220	750	GX40CrSi28		
	粉末冶金钢 Sintered steel	软质 soft	P5.1	220	570	Sint-D39		
M	不锈钢Stainless steel	马氏体, 铁素体 martensitic ferritic	M1.1	200	680	X16Cr13		
		奥氏体 austenitic	M1.2	300	1000	X6CrNiMo-Ti17-12-2		
		奥氏体, 铁素体 austenitic ferritic	M1.3	230	780	X2CrNiMo-N17-13-3		
H	淬硬钢 Hardened steels	50-55 HRC	H1.1	-	-			
		55-60 HRC	H1.2	-	-			
		60-63 HRC	H1.3	-	-			
		> 63HRC	H1.4	-	-			

材料 Material		材料组 Material group	硬度 (HB) Hardness Brinell	抗拉强度 R_m [N/mm ²] Tensile Strength	材料示例 Example Material	K10	TA4_		
K	灰铸铁 Grey cast iron	低拉伸强度 low tensile strength	K1.1	180	250	GG-25		160-140	
		高拉伸强度 high tensile strength	K1.2	250	350	GG-40		160-140	
	球磨铸铁 Spheroidal graphite cast iron	铁素体 ferritic	K2.1	160	400	GGG-40		160-140	
		珠光体 perlitic	K2.1	260	700	GGG-60		160-140	
	可锻铸铁 Malleable cast iron	铁素体 ferritic	K3.1	200	400	GTW-45			
		珠光体 perlitic	K3.2	260	700	GTS-55-04			
	奥氏体球墨铸 铁 / ADI Ausferritic spheroidal cast iron / ADI	调质 quenched	K4.1	260	800				
		调质 quenched	K4.2	350	1050				
		调质 quenched	K4.3	450	1400				
N	铝合金 Al-alloys	非热处理 not heat treatable	N1.1	30		AlMg1		1200-500	
		热处理 heat treatable	N1.2	100	340	AlMgSi1		1200-500	
	铸铝合金 Al-cast-alloy	< 6% Si	N2.1	80	300	AlMgSi6	600-350	1200-500	
		6-10% Si	N2.2	100	320	AlSi7Mg	600-350	1200-500	
		10-15 % Si	N2.3	130	450	AlSi12		1200-500	
	铜合金 Copper-alloys	纯铜 Pure copper	N3.1	100	340	Cu	230-180	1200-500	
		黄铜, 青铜 Brass	N3.2	90	310	CuZn40Pb	230-180	1200-500	
		无铅黄铜 Lead-free brass	N3.3	110	430	CuZn40	230-180	1200-500	
		高强度 high strength	N3.4	300	1000	CuZn25Al5- Mn4Fe3	230-180	1200-500	
	石墨 Graphite		N4.1						
S	耐热合金(铁基) Heat resistant alloy	退火 annealed	S1.1	200	670			30-25	
		硬化 hardened	S1.2	275	930			30-25	
	耐热合金 (镍基, 钴基) Heat resistant alloy	退火 annealed	S2.1	250	840	Inconel 600		30-25	
		硬化 hardened	S2.2	350	1200	Inconel 713		30-25	

切削参数 406/409/DA/DAH/610

Cutting Data



N

切削速度 vc (m/min) / 起始值
Cutting speed vc (m/min) / Start values

	AS4_	SA4_	SD6_	SC6_	IG3_ IG6_	NE2_	HD05	PD75		
	300-220	180-140	300-220	300-220	200-160					
	260-220	160-140	260-220	260-220	180-160					
	260-220	160-140	260-220	260-220	180-160					
	260-220	160-140	260-220	260-220	180-160					
	1000-350	1200-500					3000-500	3000-500		
	1000-350	1200-500					3000-500	3000-500		
	1000-350	1200-500				3000-500	3000-500	3000-500		
		1200-500				2000-500	3000-500	3000-500		
		1200-500				1500-350	3000-500	3000-500		
		1200-500				300-220	3000-500	3000-500		
		1200-500				230-180	3000-500	3000-500		
		1200-500				240-180	3000-500	3000-500		
		1000-500				250-160	3000-500	3000-500		
		70-30		80-30	80-30					
		70-30		80-30	80-30					
		70-30		80-30	80-30					
		70-30		80-30	80-30					

材料 Material		材料组 Material group	硬度 (HB) Hardness Brinell	抗拉强度 R _m [N/mm ²] Tensile Strength	材料示例 Example Material	K10	TA4_
S	钛 Titan	钛合金 α Titanium alloy α	S3.1	120	240		30-25
		钛合金 α-β Titanium alloy α-β	S3.2	360	1200		30-25
		钛合金 β Titanium alloy β	S3.3	410	1400		30-25
O	热塑性塑料 Thermoplastics		O1.1			1500-500	
	Duro 塑料 Duro plaste		O1.2			1500-500	
	玻璃纤维增强塑料 Plastics glass fibre reinforced	GFK	O1.3				
	碳纤维增强塑料 Plastics carbon fibre reinforced	CKF	O1.4				

切削参数 406/409/DA/DAH/610

Cutting Data



N

切削速度 vc (m/min) / 起始值
Cutting speed vc (m/min) / Start values

AS4_	SA4_	SD6_	SC6_	IG3_ IG6_	NE2_	HD05	PD75		
	70-30		80-30	80-30					
	70-30		80-30	80-30					
	70-30		80-30	80-30					
					500-1500				
					500-1500				

材料组 Material group	涂层方程式 Coating structure	推荐 Recommendation						应用 Application
AN2_ AN4_	AlCrSiN	P05	M05	K05	N05	S05	H05	针对高速切削，适合干切削，槽铣削 For high cutting speeds, suitable for dry machining, groove and slot milling
		P10	M10	K10	N10	S10	H10	
		P20	M20	K20	N20	S20	H20	
		P30	M30	K30	N30	S30	H30	
		P40	M40	K40	N40			
		P50	M50					
AS4_ AS6_	TiAlN	P05	M05	K05	N05	S05	H05	粗加工的理想选择，全方位加工也适合干切削，槽铣削 Ideal for roughing operations, All-rounder also suitable for dry machining, groove and slot milling
		P10	M10	K10	N10	S10	H10	
		P20	M20	K20	N20	S20	H20	
		P30	M30	K30	N30	S30	H30	
		P40	M40	K40	N40			
		P50	M50					
DD2_	TiB2	P05	M05	K05	N05	S05	H05	粗加工和精加工 Roughing and finishing
		P10	M10	K10	N10	S10	H10	
		P20	M20	K20	N20	S20	H20	
		P30	M30	K30	N30	S30	H30	
		P40	M40	K40	N40			
		P50	M50					
EG3_	AlTiN + TiN	P05	M05	K05	N05	S05	H05	高速切削精加工的理想选择 Ideal for finishing operations at high cutting speeds
		P10	M10	K10	N10	S10	H10	
		P20	M20	K20	N20	S20	H20	
		P30	M30	K30	N30	S30	H30	
		P40	M40	K40	N40			
		P50	M50					
EG5_	AlTiN + TiN	P05	M05	K05	N05	S05	H05	高速切削粗加工槽铣削的理想选择 Ideal for roughing operations at high cutting speeds, groove and slot milling
		P10	M10	K10	N10	S10	H10	
		P20	M20	K20	N20	S20	H20	
		P30	M30	K30	N30	S30	H30	
		P40	M40	K40	N40			
		P50	M50					
IG3_	TiAlSiN	P05	M05	K05	N05	S05	H05	高速切削精加工槽铣削的理想选择 Ideal for finishing operations at high cutting speeds, groove and slot milling
		P10	M10	K10	N10	S10	H10	
		P20	M20	K20	N20	S20	H20	
		P30	M30	K30	N30	S30	H30	
		P40	M40	K40	N40			
		P50	M50					
IG6_	TiAlSiN	P05	M05	K05	N05	S05	H05	高速切削粗加工槽铣削的理想选择 Ideal for roughing operations at high cutting speeds, groove and slot milling
		P10	M10	K10	N10	S10	H10	
		P20	M20	K20	N20	S20	H20	
		P30	M30	K30	N30	S30	H30	
		P40	M40	K40	N40			
		P50	M50					
NE2_	ta-C	P05	M05	K05	N05	S05	H05	粗加工和精加工 Roughing and finishing
		P10	M10	K10	N10	S10	H10	
		P20	M20	K20	N20	S20	H20	
		P30	M30	K30	N30	S30	H30	
		P40	M40	K40	N40			
		P50	M50					

涂层概览

Coating Overview



材料组 Material group	涂层方程式 Coating structure	推荐 Recommendation						应用 Application
RC2_ RC4_	AlCrSiN	P05	M05	K05	N05	S05	H05	高速切削 适合干切削 槽铣削和切断铣削 at high cutting speeds suitable for dry machining Groove and parting milling
		P10	M10	K10	N10	S10	H10	
		P20	M20	K20	N20	S20	H20	
		P30	M30	K30	N30	S30	H30	
		P40	M40	K40	N40			
		P50	M50					
SG3_	TiAlCrSiN	P05	M05	K05	N05	S05	H05	粗加工和精加工 Roughing and finishing
		P10	M10	K10	N10	S10	H10	
		P20	M20	K20	N20	S20	H20	
		P30	M30	K30	N30	S30	H30	
		P40	M40	K40	N40			
		P50	M50					
TI2_	TiCn	P05	M05	K05	N05	S05	H05	中速切削粗加工和精加工，有助于避免积屑瘤 Roughing and finishing at moderate cutting speeds, reduction of built-up edges
		P10	M10	K10	N10	S10	H10	
		P20	M20	K20	N20	S20	H20	
		P30	M30	K30	N30	S30	H30	
		P40	M40	K40	N40			
		P50	M50					
TN3_	TiN	P05	M05	K05	N05	S05	H05	中速切削粗加工和精加工槽铣削 Roughing and finishing at moderate cutting speeds, groove and slot milling
		P10	M10	K10	N10	S10	H10	
		P20	M20	K20	N20	S20	H20	
		P30	M30	K30	N30	S30	H30	
		P40	M40	K40	N40			
		P50	M50					
SA4_ SA6_		P05	M05	K05	N05	S05	H05	中速切削粗加工和精加工，高进给量的理想选择 Roughing and finishing at medium cutting speeds, ideal for high feed rates
		P10	M10	K10	N10	S10	H10	
		P20	M20	K20	N20	S20	H20	
		P30	M30	K30	N30	S30	H30	
		P40	M40	K40	N40			
		P50	M50					
SC6_	TiCN + Al2O3	P05	M05	K05	N05	S05	H05	高速切削粗加工的理想选择 Ideal for roughing operations at high cutting speeds
		P10	M10	K10	N10	S10	H10	
		P20	M20	K20	N20	S20	H20	
		P30	M30	K30	N30	S30	H30	
		P40	M40	K40	N40			
		P50	M50					

ISO 513		P	M	K	N	S	H
+ 韧性 / Tenacity - - 耐磨性 / Wear resistance +	05	05	05	05	05	05	05
	10	10	10	10	10	10	10
	20	20	20	20	20	20	20
	30	30	30	30	30	30	30
	40	40	40	40	40		
	50	50					



D 041 VL

0,4-1 Nm

带刻度的扭矩扳手

- 扭矩可调
- 屏幕显示调整扭矩

扭矩无极调节,符合人体工程学的多组件手柄,轻而紧凑的设计,当达到设定扭矩时单击信号按钮。
(标准: EN ISO 6798, BS EN 26789, ASME B 107.14.M.)
(精度: $\pm 6\%$)



D 15 VL

1-5 Nm

Torque screw driver with scale

- variable torque setting
- adjusted torque is shown on display

The Torque can be adjusted with a special torque setter (included).

Handle: Ergonomical form gives perfect handling abilities. Audible signal when set torque is reached.

Standard: EN ISO 6798, BS EN 26789, ASME B 107.14.M.

Precision: $\pm 6\%$



D 28 VL

2-7 Nm

设定扭矩的设备

柄部: 醋酸纤维材质, 表面为细微结构

刃部: 八角形, 硬化处理, 镀锌



ED 28 VL

配 / for

D041VL / D15VL / D28VL

Device for setting the required torque

Handle: Celluloseacetat with micro structured surface

Blade: Octogonal (8 flats) blade, hardened galvanized



D515QL
5-14 Nm

带刻度的扭矩扳手

- 扭矩可调
- 屏幕显示调整扭矩

扭矩无极调节,符合人体工程学的多组件手柄,轻而紧凑的设计,当达到设定扭矩时单击信号按钮。
(标准: EN ISO 6798, BS EN 26789, ASME B 107.14.M.)
(精度: $\pm 6\%$)

Torque screw driver with scale

- variable torque setting
- adjusted torque is shown on display

The Torque can be adjusted with a special torque setter (included).

Handle: Ergonomical form gives perfect handling abilities. Audible signal when set torque is reached.

Standard: EN ISO 6798, BS EN 26789, ASME B 107.14.M.

Precision: $\pm 6\%$



ED515QL
配 / for
D515QL

扭矩调整扳手

柄部: 纤维素乙酸酯微观结构表面
刃部: 八角形状,经过硬化处理,镀铬.

Device for setting the required torque.

Handle: Celluloseacetat with micro structured surface

Blade: Octogonal (8 flats) blade, hardened galvanized



DT6PK
DT7PK
DT8PK
DT9PK
DT10PK
DT15PK
DT20PK
DT25PK

配 / for
D041VL / D15VL / D28VL



Plus

扳手刀头配 TORX PLUS® 螺钉

刀头: 高品质铬钒钢, 经过硬化处理, 镀铬。
Wiha镀铬刀片保证了最好的精密度。
使用深绿色代码

应用: 使用给定的扭紧扭矩, 结合一个Wiha扭矩扳手。

Blade for TORX-Plus® screws

Blade: High quality Chrome-Vanadium steel, through hardened, chrome plated.

Wiha Chrome Blade guarantees maximum precision. Colored code dark green

Utilization: Controlled screw setting with definite torque in combination with Wiha torque screw driver handle.



DT6K
DT8K
DT15K

配 / for
D041VL / D15VL / D28VL



刀头-Torx螺钉

刀头: 高品质铬钒钢, 硬化处理, 镀铬
Wiha镀铬刀头保证了最好的精密度。
颜色代码为绿色

用途: 拧紧螺钉到指定扭矩, 和Wiha扭矩扳手刀柄组合。

Blade for Torx screws

Blade: High quality Chrome-Vanadium steel, through hardened, chrome plated.

Wiha Chrome Blade guarantees maximum precision. Colored code dark green

Utilization: Controlled screw setting with definite torque in combination with Wiha torque screw driver handle.



DT15PQ
DT20PQ
DT25PQ
DT27PQ
DT30PQ

配 / for
D515QL



Plus

扳手刀头配 TORX PLUS® 螺钉

刀头: 高品质铬钒钢, 经过硬化处理, 镀铬。
Wiha镀铬刀片保证了最好的精密度。
使用深绿色代码

应用: 使用给定的扭紧扭矩, 结合一个Wiha扭矩扳手。

Blade for TORX-Plus® screws

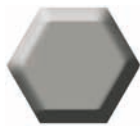
Blade: High quality Chrome-Vanadium steel, through hardened, chrome plated. Wiha Chrome Blade guarantees maximum precision. Colored code dark green

Utilization: Controlled screw setting with definite torque in combination with Wiha torque screw driver handle.



DSW15K
DSW20K
DSW25K
DSW30K
DSW40K

配 / for
D041VL / D15VL / D28VL



扳手刀头-内六角螺钉

刀头: 高品质的铬钒钢, 硬化处理, 镀铬。
Wiha镀铬刀片保证了最好的精密度。
使用红色代码

应用: 使用给定的扭紧扭矩, 结合一个Wiha扭矩扳手。

Blade for allen screws

Blade: High quality Chrome-Vanadium steel, through hardened, chrome plated. Wiha Chrome Blade guarantees maximum precision. Colored code red

Utilization: Controlled screw setting with definite torque in combination with Wiha torque screw driver handle

DSW50K
DSW60K

配 / for
D15QL

**D14ZBK**

配 / for
D041VL / D15VL / D28VL

通用钻套

也用于所有的C6.3和E6.3(1/4")钻头

刀头: 高品质铬钒钢, 经过硬化处理, 镀铬。

刀颈: 不锈钢

应用: 用于固定扭矩, 扭矩标与柄部。

Universal Bitholder for C6,3 and E6,3 (1/4") Bits

Blade: High quality Chrome-Vanadium steel, through hardened, chrome plated.

Collar: Stainless steel

Utilization: For controlled screw setting with definite torque in combination with torque screw driver handle.

**D14ZBQ**

配 / for
D515QL

通用钻套

也用于所有的C6.3和E6.3(1/4")钻头

刀头: 高品质铬钒钢, 经过硬化处理, 镀铬。

刀颈: 不锈钢

应用: 用于固定扭矩, 扭矩标与柄部。

Universal Bitholder for C6,3 and E6,3 (1/4") Bits

Blade: High quality Chrome-Vanadium steel, through hardened, chrome plated.

Collar: Stainless steel

Utilization: For controlled screw setting with definite torque in combination with torque screw driver handle.



14ZQK

通用T型刀柄的钻套
也用于所有的C6.3和E6.3(1/4")钻头

刀头: 高品质铬钒钢, 经硬化处理, 镀铬
刀颈: 不锈钢
应用: 开关控制

Universal Bitholder with T-handle for C6,3 and E6,3
(1/4") Bits

Blade: High quality Chrome-Vanadium steel, through
hardened, chrome plated.
Collar: Stainless steel
Utilization: For controlled opening



- T6PW
- T7PW
- T8PW
- T9PW
- T10PW
- T15PW
- T20PW
- T25PW
- T30PW



Plus

TORX PLUS® 螺钉扳手

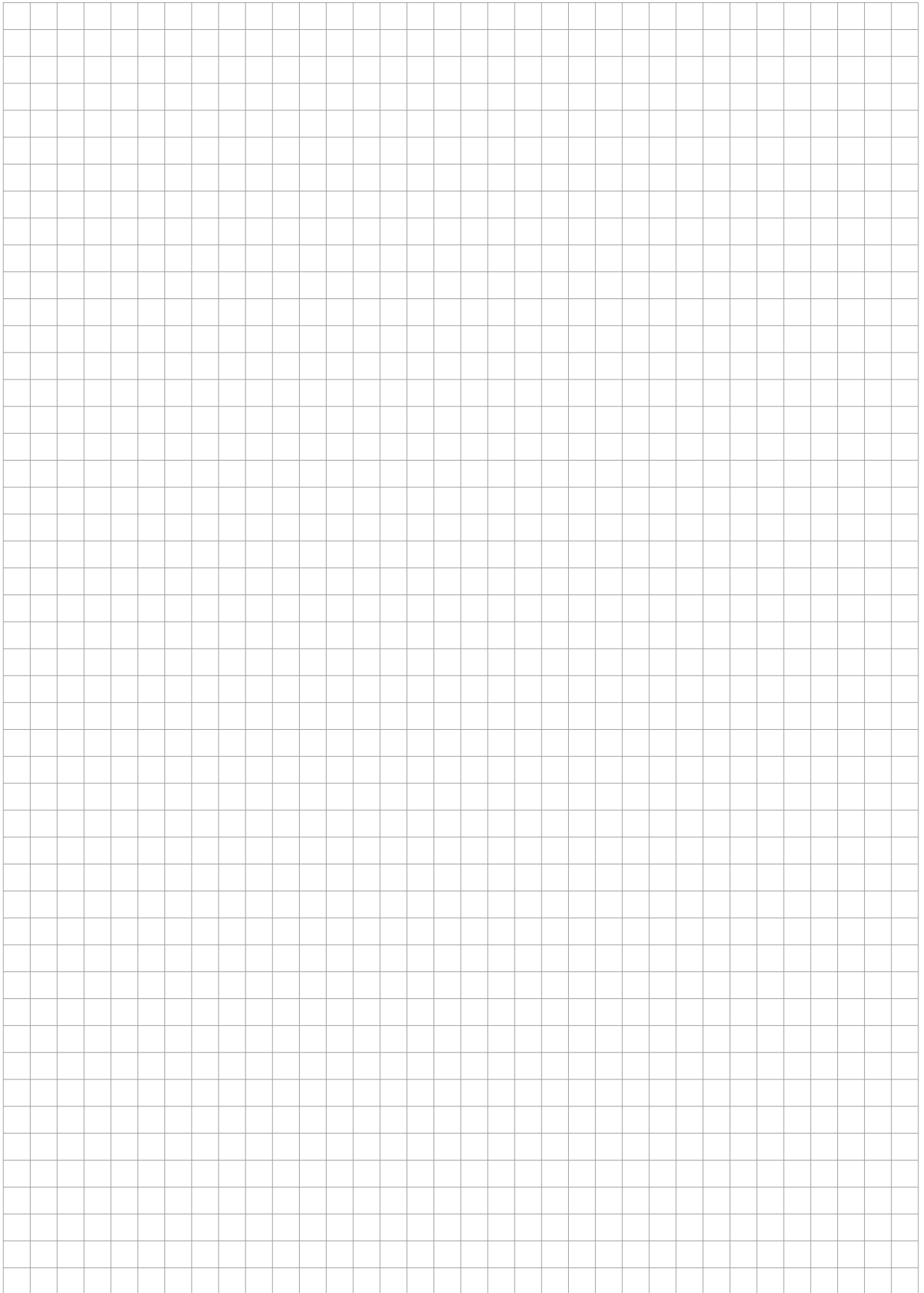
应用: 适用于各种使用TORX PLUS®螺钉
注意: TORX PLUS®-扳手不适用于 Torx-螺钉

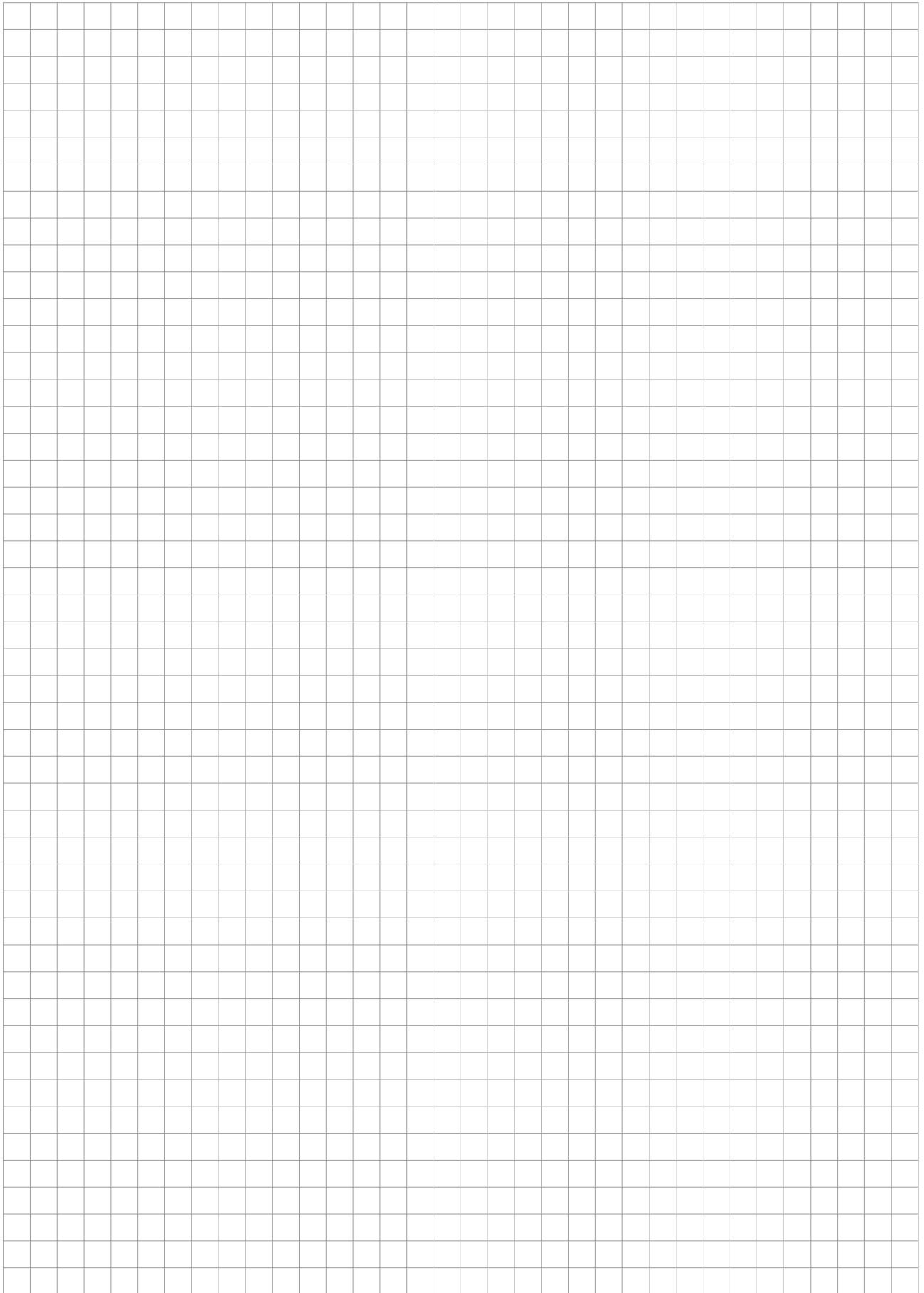
Wrench for TORX PLUS® Screws

Utilization: For all kind of using TORX PLUS® Screws
Attention: TORX PLUS®-Wrench does NOT fit for Torx-
Screws

型号 Type	页 Page
108	45-49, 288
111	74-78, 300, 301
116	113-115
304	32-35, 280-282
306	50-59
306	289-291
308	79-85, 302
311	97-103, 310-312, 413, 414
313	126-128, 130-136, 321-323, 419
314	229-231, 257-260, 353, 456
325	160
328	161-167, 331, 332, 423
332	184-187,
335	203
380	221-224, 351, 352
380...IK	223, 225
381	228
381	442-454
382	250-253
383	254-256
406	430, 531, 532
409	431, 549-551
606	60-65
606	292-294
608	86-87,
608	303-305
610	562
611	104-107
611	313, 614
613	137-146,
613	324, 325, 373-376
620	207, 208
628	168-174, 333, 334, 377
632	188-191, 340, 378, 379
636	192-194
713	147, 148
911	108
913	149
928	175
932	195
939	196-198
ABS..380	227
DA31	482
DA32	483-485
DA62	486
DAH25	497
DAH37	503-504
DAH82	510
DAH84	512
DAH25	494-496
DAH37	500-502
DAH82	507-509
DAH84	511
DAM31	469-470, 468, 475, 476
DAM32	468, 471, 473, 475, 476
DAM62	472, 474, 477
DCF	22
DCG	13-18

型号 Type	页 Page
DCN	20
DCR	19
DCX	21
DGVZ	404
HSK380	226
L313	129, 133
M101	235-239
M116	112
M275	211-214, 345-346, 436, 437
M279	380
M304	30, 279
M304.ST	31
M306	38-40, 287
M306.ER	41
M306.M	44
M306.ST	42
M308	68-69, 299
M308.ER	71
M308.M	73
M308.ST	70
M310	264-270
M310	270
M311	90-91, 94, 309, 412
M311.ER	93
M311.M	96
M311.ST	92
M313	118, 123, 319, 320, 418
M313.ER	121, 122
M313.M	125
M313.ST	119, 120
M328	152-153, 157, 329, 422
M328.ER	155, 156
M328.M	159
M328.ST	154
M332	178-179, 339
M332.ER	181
M332.M	183
M332.ST	180
M335	202
M406	428, 526-530
M409	429, 536-548
M610	560-561
M620	206
MD	478-481
MDR	390
N105	385
N110	385
N314	455
314	455
RS275	218, 347
RS279	381, 382
S101	240-244
S117	385
S275	215-217, 438
S310	271
SDA62	487
SM328	330
WFB	43, 72, 95, 124, 158, 182







找到您合适的刀具解决方案。

FIND YOUR RIGHT
TOOLING SOLUTION NOW.

horn-group.com

DEUTSCHLAND, STAMMSITZ

GERMANY, HEADQUARTERS

—

Hartmetall Werkzeugfabrik

Paul Horn GmbH

Horn-Straße 1

D-72072 Tübingen

Tel +49 7071 7004-0

Fax +49 7071 72893

info@de.horn-group.com

horn-group.com